



H A Harman International Company

# C 547 BL

## Boundary Layer Condenser Microphone

### Description

The C 547 BL is a condenser boundary layer microphone with a hypercardioid pickup pattern. Its rugged construction permits it to be used on the floor, where it can withstand accidental footsteps. It has a switchable low frequency roll-off filter to minimize footfalls on stage. The microphone works as well on a tabletop.

Microphone sensitivity is 8.5 mV/Pa, and total harmonic distortion (THD) is 1% at an acoustical operating level of 133 dB. The equivalent noise floor is 22 dB-A. The microphone operates on phantom powering over the range of 9 to 52 volts dc. The finish is matte black, and the microphone can be painted any color to match decor.

The connector is a 3-Pin XLR.



### Specifications

<b>Transducer Principle:</b>	Condenser prepolarized
<b>Frequency Range:</b>	30–18,000 Hz
<b>Polar Pattern:</b>	Hypercardioid
<b>Sensitivity at 1,000 Hz:</b>	8.5 mV/Pa (-42dBV)
<b>Equivalent Noise Level:</b>	< 22 dB-A
<b>Sound Pressure Level for 1% THD:</b>	133 dB
<b>S/N Ratio (A-weighted):</b>	> 72 dB
<b>Electr. Impedance:</b>	< 400 ohms
<b>Load Impedance:</b>	> 1,000 ohms
<b>Low frequency roll-off:</b>	switchable bass-cut 12 dB/octave, 200 Hz
<b>Power Requirement:</b>	9–52 volts phantom powering
<b>Connector:</b>	3-Pin XLR-type
<b>Cable Length:</b>	10 ft. (3 m)
<b>Finish:</b>	Matte dark gray
<b>Size:</b>	7.3 x 4.7 x 0.8 in. (185 x 120 x 20 mm)
<b>Net/Shipping Weight:</b>	5.6 oz. (160 g)/14.8 oz. (420 g)
<b>Included Accessories:</b>	W 547 Windscreen
<b>Optional Accessories:</b>	B 18 Battery power supply

### Features

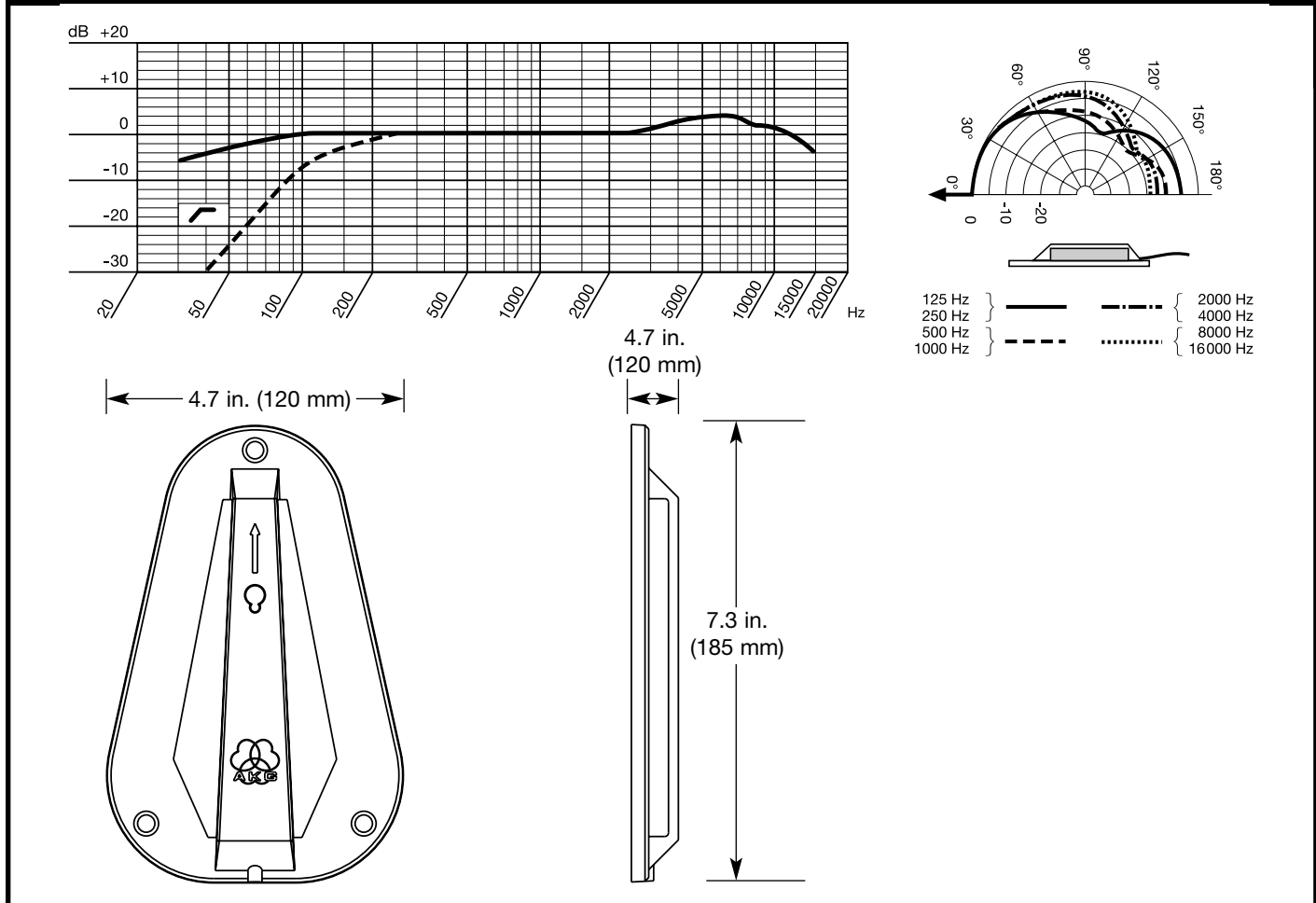
- Non-crush construction
- Inconspicuous
- Unidirectional pickup
- Paintable

# Architects and Engineers Specifications

The microphone shall be a boundary layer condenser type with a hypercardioid pattern. The size of the microphone shall fall within the rectangular envelope given by: 7.3 x 4.7 x 0.8 in. (185 x 120 x 20 mm). The microphone's sensitivity shall be no lower than 8.5 mV/Pa, and the microphone shall produce no more than 1% total harmonic distortion (THD) at an acoustical operating

level of 133 dB. The equivalent noise floor of the microphone shall be no greater than 22 dB-A. The microphone shall operate on phantom powering over the range from 9 to 52 volts dc. The microphone shall be rugged enough to withstand the weight of a normal person who steps on it. The microphone shall be the AKG Acoustics Model C 547 BL.

## Graphical Data



AKG is constantly improving and modifying its products, therefore, specifications are subject to change without notice.

### Limited Warranty

Valid only in the United States. AKG Acoustics warrants AKG products against defects in material or workmanship for a period of two years from the date of original purchase for use, and agrees to repair or, at our option, replace any defective unit without charge for either parts or labor. Important: This warranty does not cover damage resulting from accident, misuse or abuse, lack of reasonable care, the affixing of any attachment not provided with the product, loss of parts or connecting the product to any but the specified receptacles. This warranty is void unless service or repairs are performed by an authorized service center. No responsibility is assumed for any special, incidental

or consequential damages. However, the limitation of any right or remedy shall not be effective where such is prohibited or restricted by law. Simply take or ship your AKG product prepaid to our service department. Be sure to include your sales slip as proof of purchase date. (We will not repair transit damage under the no-charge terms of this warranty.) Note: No other warranty, written or oral is authorized by AKG Acoustics, Inc. This warranty gives you specific legal rights, and you may also have other rights which vary from state to state. Some states do not allow the exclusion or limitation of incidental or consequential damages or limitation on how long an implied warranty lasts, so the above exclusions and limitation may not apply to you.

Microphones · Headphones · Wireless Microphones · Wireless Headphones · Headsets · Electroacoustical Components

 <p>H A Harman International Company</p>	<p><b>AKG Acoustics GmbH</b>                  Lemböckgasse 21-25, P.O.B. 158, A-1230                  Vienna/AUSTRIA                  Tel: (43 1) 86 654-0*, Fax: (43 1) 86 654-516                  Internet: <a href="http://www.ake.com">http://www.ake.com</a></p>	<p><b>AKG ACOUSTICS, U.S.</b>                  914 Airpark Center Drive                  Nashville, TN 37217, U.S.A.                  Tel: (615) 620-3800, Fax: (615) 620-3875</p>
	<p><b>AKG Acoustics;</b> A Division of Harman Pro Germany                  Bodenseestraße 228, D-81243 München/GERMANY                  Tel: (089) 87 16-0, Fax: (089) 87 16-200</p>	<p><b>Studer Japan Ltd.</b>                  2-43-7, Uehara, Shibuya-ku, Tokyo 151-0064/JAPAN                  Tel: (813) 3465-2211, Fax: (813) 3465-2214</p>
	<p><b>Arbiter Pro Audio</b>                  Wilberforce Road, London NW9 6AX/ENGLAND                  Tel: (0181) 202 1199, Fax: (0181) 202 7076</p>	<p><b>Erikson Pro Audio</b>                  620 McCaffrey, St-Laurent, Quebec, H4T 1N1, CANADA                  Tel: (514) 738-3000, Fax: (514) 737-5069                  Internet: <a href="http://www.jam-ind.com/eriksonpro">www.jam-ind.com/eriksonpro</a></p>

Specifications subject to change without notice.

DS-C 547 BL