

e200z3 Power Architecture™ Core Reference Manual

Supports

e200z3

e200z335

e200z3coreRM

Rev. 2

06/2008

How to Reach Us:

Home Page:

www.freescale.com

Web Support:

<http://www.freescale.com/support>

USA/Europe or Locations Not Listed:

Freescale Semiconductor, Inc.
Technical Information Center, EL516
2100 East Elliot Road
Tempe, Arizona 85284
+1-800-521-6274 or
+1-480-768-2130
www.freescale.com/support

Europe, Middle East, and Africa:

Freescale Halbleiter Deutschland GmbH
Technical Information Center
Schatzbogen 7
81829 Muenchen, Germany
+44 1296 380 456 (English)
+46 8 52200080 (English)
+49 89 92103 559 (German)
+33 1 69 35 48 48 (French)
www.freescale.com/support

Japan:

Freescale Semiconductor Japan Ltd.
Headquarters
ARCO Tower 15F
1-8-1, Shimo-Meguro, Meguro-ku
Tokyo 153-0064
Japan
0120 191014 or
+81 3 5437 9125
support.japan@freescale.com

Asia/Pacific:

Freescale Semiconductor China Ltd.
Exchange Building 23F
No. 118 Jianguo Road
Chaoyang District
Beijing 100022
China
+86 010 5879 8000
support.asia@freescale.com

For Literature Requests Only:

Freescale Semiconductor
Literature Distribution Center
P.O. Box 5405
Denver, Colorado 80217
+1-800 441-2447 or
+1-303-675-2140
Fax: +1-303-675-2150
LDCForFreescaleSemiconductor@hibbertgroup.com

Information in this document is provided solely to enable system and software implementers to use Freescale Semiconductor products. There are no express or implied copyright licenses granted hereunder to design or fabricate any integrated circuits or integrated circuits based on the information in this document.

Freescale Semiconductor reserves the right to make changes without further notice to any products herein. Freescale Semiconductor makes no warranty, representation or guarantee regarding the suitability of its products for any particular purpose, nor does Freescale Semiconductor assume any liability arising out of the application or use of any product or circuit, and specifically disclaims any and all liability, including without limitation consequential or incidental damages. "Typical" parameters which may be provided in Freescale Semiconductor data sheets and/or specifications can and do vary in different applications and actual performance may vary over time. All operating parameters, including "Typicals" must be validated for each customer application by customer's technical experts. Freescale Semiconductor does not convey any license under its patent rights nor the rights of others. Freescale Semiconductor products are not designed, intended, or authorized for use as components in systems intended for surgical implant into the body, or other applications intended to support or sustain life, or for any other application in which the failure of the Freescale Semiconductor product could create a situation where personal injury or death may occur. Should Buyer purchase or use Freescale Semiconductor products for any such unintended or unauthorized application, Buyer shall indemnify and hold Freescale Semiconductor and its officers, employees, subsidiaries, affiliates, and distributors harmless against all claims, costs, damages, and expenses, and reasonable attorney fees arising out of, directly or indirectly, any claim of personal injury or death associated with such unintended or unauthorized use, even if such claim alleges that Freescale Semiconductor was negligent regarding the design or manufacture of the part.

Freescale, the Freescale logo, and StarCore and the Freescale logo are trademarks or registered trademarks of Freescale Semiconductor, Inc. in the U.S. and other countries. All other product or service names are the property of their respective owners. HyperTransport is a trademark of the HyperTransport Technology Consortium. The Power Architecture and Power.org word marks and the Power and Power.org logos and related marks are trademarks and service marks licensed by Power.org. The PowerPC name is a trademark of IBM Corp. and is used under license. RapidIO is a registered trademark of the RapidIO Trade Association. IEEE nnn, nnn, and nnn are trademarks or registered trademarks of the Institute of Electrical and Electronics Engineers, Inc. (IEEE). This product is not endorsed or approved by the IEEE.

© Freescale Semiconductor, Inc., 2007. All rights reserved.



Contents

Paragraph Number	Title	Page Number
	General Information.....	viii
	Related Documentation.....	ix
	Terminology Conventions.....	x
	Acronyms and Abbreviations	x
Chapter 1		
e200z335 Core Complex Overview		
1.1	Overview of the e200z3 and e200z335.....	1-1
1.1.1	Features.....	1-4
1.2	Programming Model.....	1-5
1.2.1	Register Set.....	1-5
1.3	Instruction Set.....	1-7
1.4	VLE Category	1-8
1.5	Interrupts and Exception Handling.....	1-8
1.5.1	Interrupt Handling.....	1-9
1.5.2	Interrupt Classes	1-9
1.5.3	Interrupt Types	1-10
1.5.4	Interrupt Registers.....	1-10
1.6	Microarchitecture Summary	1-12
1.6.1	Instruction Unit Features	1-13
1.6.2	Integer Unit Features	1-13
1.6.3	Load/Store Unit (LSU) Features.....	1-13
1.6.4	Memory Management Unit (MMU) Features	1-14
1.6.5	System Bus (Core Complex Interface) Features.....	1-14
1.6.6	Nexus 32+ Module Features	1-14
1.7	Legacy Support of PowerPC Architecture.....	1-14
1.7.1	Instruction Set Compatibility.....	1-15
1.7.1.1	User Instruction Set	1-15
1.7.1.2	Supervisor Instruction Set.....	1-15
1.7.2	Memory Subsystem	1-15
1.7.3	Interrupt Handling.....	1-15
1.7.4	Memory Management.....	1-16
1.7.5	Reset.....	1-16
1.7.6	Little-Endian Mode.....	1-16

Contents

Paragraph Number	Title	Page Number
Chapter 2		
Register Model		
2.1	PowerPC Book E Registers	2-4
2.2	e200z3-Specific Registers.....	2-6
2.3	e200z3-Specific Device Control Registers	2-7
2.4	Processor Control Registers.....	2-7
2.4.1	Machine State Register (MSR).....	2-7
2.4.2	Processor ID Register (PIR)	2-9
2.4.3	Processor Version Register (PVR).....	2-10
2.4.4	System Version Register (SVR).....	2-10
2.5	Registers for Integer Operations	2-11
2.5.1	General-Purpose Registers (GPRs).....	2-11
2.5.2	Integer Exception Register (XER).....	2-11
2.6	Registers for Branch Operations.....	2-12
2.6.1	Condition Register (CR).....	2-12
2.6.1.1	CR Setting for Integer Instructions.....	2-14
2.6.1.2	CR Setting for Store Conditional Instructions	2-14
2.6.1.3	CR Setting for Compare Instructions	2-14
2.6.2	Count Register (CTR).....	2-15
2.6.3	Link Register (LR).....	2-15
2.7	SPE and SPFP APU Registers	2-16
2.7.1	Signal Processing/Embedded Floating-Point Status and Control Register (SPEFSCR).....	2-16
2.7.2	Accumulator (ACC).....	2-19
2.8	Interrupt Registers.....	2-19
2.8.1	Interrupt Registers Defined by Book E.....	2-19
2.8.1.1	Save/Restore Register 0 (SRR0).....	2-20
2.8.1.2	Save/Restore Register 1 (SRR1).....	2-20
2.8.1.3	Critical Save/Restore Register 0 (CSRR0)	2-20
2.8.1.4	Critical Save/Restore Register 1 (CSRR1)	2-21
2.8.1.5	Data Exception Address Register (DEAR).....	2-21
2.8.1.6	Interrupt Vector Prefix Register (IVPR)	2-21
2.8.1.7	Interrupt Vector Offset Registers (IVORs)	2-22
2.9	Exception Syndrome Register (ESR)	2-23
2.9.1	VLE Mode Instruction Syndrome.....	2-25
2.9.2	Misaligned Instruction Fetch Syndrome.....	2-25
2.9.3	Precise External Termination Error Syndrome.....	2-25
2.9.4	e200z3-Specific Interrupt Registers.....	2-26
2.9.4.1	Debug Save/Restore Register 0 (DSRR0)	2-26
2.9.4.2	Debug Save/Restore Register 1 (DSRR1)	2-26

Contents

Paragraph Number	Title	Page Number
2.9.4.3	Machine Check Syndrome Register (MCSR).....	2-26
2.10	Software-Use SPRs (SPRG0–SPRG7 and USPRG0)	2-27
2.11	Timer Registers	2-28
2.11.1	Timer Control Register (TCR).....	2-29
2.11.2	Timer Status Register (TSR).....	2-30
2.11.3	Time Base (TBU and TBL)	2-31
2.11.4	Decrementer Register	2-33
2.11.5	Decrementer Auto-Reload Register (DECAR).....	2-33
2.12	Debug Registers	2-34
2.12.1	Debug Address and Value Registers	2-34
2.12.1.1	Instruction Address Compare Registers (IAC1–IAC4)	2-34
2.12.1.2	Data Address Compare Registers (DAC1–DAC2).....	2-35
2.12.1.3	Data Value Compare Registers (DVC1–DVC2) (e200z335 only)	2-35
2.12.2	Debug Counter Register (DBCNT)	2-36
2.12.3	Debug Control and Status Registers (DBCR0–DBCR3).....	2-36
2.12.3.1	Debug Control Register 0 (DBCR0).....	2-36
2.12.3.2	Debug Control Register 1 (DBCR1).....	2-39
2.12.3.3	Debug Control Register 2 (DBCR2).....	2-41
2.12.3.4	Debug Control Register 3 (DBCR3).....	2-43
2.12.3.5	Debug Control Register 4 (DBCR4) (e200z335 only)	2-48
2.12.4	Debug Status Register (DBSR).....	2-49
2.12.5	Debug External Resource Control Register (DBERC0).....	2-50
2.13	Hardware Implementation-Dependent Registers	2-57
2.13.1	Hardware Implementation-Dependent Register 0 (HID0).....	2-57
2.13.2	Hardware Implementation-Dependent Register 1 (HID1).....	2-59
2.14	Branch Target Buffer (BTB) Registers	2-61
2.14.1	Branch Unit Control and Status Register (BUCSR).....	2-61
2.15	L1 Cache Configuration Registers.....	2-61
2.15.1	L1 Cache Configuration Register 0 (L1CFG0)	2-61
2.16	MMU Registers.....	2-62
2.16.1	MMU Control and Status Register 0 (MMUCSR0)	2-62
2.16.2	MMU Configuration Register (MMUCFG)	2-62
2.16.3	TLB Configuration Registers (TLB _n CFG).....	2-63
2.16.3.1	TLB Configuration Register 0 (TLB0CFG)	2-63
2.16.3.2	TLB Configuration Register 1 (TLB1CFG)	2-64
2.16.4	MMU Assist Registers (MAS0–MAS4, MAS6)	2-65
2.16.5	Process ID Register (PID0).....	2-69
2.17	Support for Fast Context Switching.....	2-69
2.17.1	Context Control Register (CTXCR)	2-70
2.18	SPR Register Access.....	2-70
2.18.1	Invalid SPR References	2-70

Contents

Paragraph Number	Title	Page Number
2.18.2	Synchronization Requirements for SPRs.....	2-70
2.18.3	Special-Purpose Register Summary.....	2-71
2.18.4	Reset Settings.....	2-74
2.19	Parallel Signature Unit Registers.....	2-76
2.19.1	Parallel Signature Control Register (PSCR).....	2-77
2.19.2	Parallel Signature Status Register (PSSR).....	2-78
2.19.3	Parallel Signature High Register (PSHR).....	2-78
2.19.4	Parallel Signature Low Register (PSLR).....	2-79
2.19.5	Parallel Signature Counter Register (PSCTR).....	2-79
2.19.6	Parallel Signature Update High Register (PSUHR).....	2-80
2.19.7	Parallel Signature Update Low Register (PSULR).....	2-80

Chapter 3 Instruction Model

3.1	Operand Conventions.....	3-1
3.1.1	Data Organization in Memory and Data Transfers.....	3-1
3.1.2	Alignment and Misaligned Accesses.....	3-1
3.1.3	e200z3 Floating-Point Implementation.....	3-2
3.2	Unsupported Instructions and Instruction Forms.....	3-2
3.3	Optionally Supported Instructions and Instruction Forms.....	3-2
3.4	Implementation-Specific Instructions.....	3-3
3.5	BookE Instruction Extensions.....	3-3
3.6	Memory Access Alignment Support.....	3-4
3.7	Memory Synchronization and Reservation Instructions.....	3-4
3.8	Branch Prediction.....	3-5
3.9	Interruption of Instructions by Interrupt Requests.....	3-5
3.10	e200z3-Specific Instructions.....	3-6
3.10.1	Integer Select APU.....	3-6
3.10.2	Debug APU.....	3-6
3.10.3	Wait APU (e200z335 only).....	3-6
3.10.4	Volatile Context Save/Restore APU (e200z335 only).....	3-7
3.10.5	SPE APU Instructions.....	3-7
3.10.6	Embedded Vector and Scalar Single-Precision Floating-Point APU Instructions.....	3-15
3.10.6.1	Options for Embedded Floating-Point APU Implementations.....	3-16
3.11	Unimplemented SPRs and Read-Only SPRs.....	3-16
3.12	Invalid Instruction Forms.....	3-17
3.13	Instruction Summary.....	3-17
3.13.1	Instruction Index Sorted by Mnemonic.....	3-18
3.13.2	Instruction Index Sorted by Opcode.....	3-29

Contents

Paragraph Number	Title	Page Number
Chapter 4		
Interrupts and Exceptions		
4.1	Overview	4-1
4.2	e200z3 Interrupts	4-2
4.3	Exception Syndrome Register (ESR)	4-4
4.4	Machine State Register (MSR)	4-5
4.4.1	Machine Check Syndrome Register (MCSR).....	4-7
4.4.1.1	Interrupt Vector Prefix Register (IVPR).....	4-8
4.5	Interrupt Vector Offset Registers (IVOR _n).....	4-8
4.6	Interrupt Definitions	4-10
4.6.1	Critical Input Interrupt (IVOR0).....	4-10
4.6.2	Machine Check Interrupt (IVOR1).....	4-11
4.6.2.1	Machine Check Interrupt Enabled (MSR[ME]=1).....	4-11
4.6.2.2	Checkstop State	4-12
4.6.2.3	Non-Maskable Interrupts (NMI) (e200z335 only)	4-13
4.6.3	Data Storage Interrupt (IVOR2)	4-13
4.6.4	Instruction Storage Interrupt (IVOR3)	4-14
4.6.5	External Input Interrupt (IVOR4).....	4-15
4.6.6	Alignment Interrupt (IVOR5).....	4-16
4.6.7	Program Interrupt (IVOR6)	4-16
4.6.8	Floating-Point Unavailable Interrupt (IVOR7).....	4-17
4.6.9	System Call Interrupt (IVOR8).....	4-18
4.6.10	Auxiliary Processor Unavailable Interrupt (IVOR9).....	4-18
4.6.11	Decrementer Interrupt (IVOR10)	4-19
4.6.12	Fixed-Interval Timer Interrupt (IVOR11).....	4-19
4.6.13	Watchdog Timer Interrupt (IVOR12)	4-20
4.6.14	Data TLB Error Interrupt (IVOR13)	4-21
4.6.15	Instruction TLB Error Interrupt (IVOR14).....	4-21
4.6.16	Debug Interrupt (IVOR15)	4-22
4.6.17	System Reset.....	4-25
4.6.18	SPE APU Unavailable Interrupt (IVOR32).....	4-26
4.6.19	SPE Floating-Point Data Interrupt (IVOR33)	4-27
4.6.20	SPE Floating-Point Round Interrupt (IVOR34)	4-27
4.7	Exception Recognition and Priorities	4-28
4.7.1	Interrupt Priorities.....	4-29
4.8	Interrupt Processing	4-32
4.8.1	Enabling and Disabling Exceptions	4-33
4.8.2	Returning from an Interrupt Handler	4-33
4.9	Process Switching	4-34

Contents

Paragraph Number	Title	Page Number
------------------	-------	-------------

Chapter 5 Memory Management Unit

5.1	Overview	5-1
5.1.1	MMU Features	5-1
5.1.2	TLB Entry Maintenance Features Summary	5-1
5.2	Effective-to-Real Address Translation.....	5-2
5.2.1	Effective Addresses	5-4
5.2.2	Address Spaces	5-4
5.2.3	Virtual Addresses and Process ID.....	5-4
5.2.4	Translation Flow	5-5
5.2.5	Permissions	5-6
5.3	Translation Lookaside Buffer	5-7
5.3.1	IPROT Invalidation Protection in TLB1	5-8
5.3.2	Replacement Algorithm for TLB1.....	5-8
5.3.3	The G Bit (of WIMGE)	5-9
5.3.4	TLB Entry Field Summary	5-9
5.4	Software Interface and TLB Instructions.....	5-10
5.5	TLB Operations	5-11
5.5.1	Translation Reload	5-11
5.5.2	Reading the TLB.....	5-12
5.5.3	Writing the TLB.....	5-12
5.5.4	Searching the TLB	5-12
5.5.5	TLB Coherency Control	5-12
5.5.6	TLB Miss Exception Update	5-12
5.5.7	TLB Load on Reset.....	5-13
5.6	MMU Configuration and Control Registers	5-13
5.6.1	MMU Configuration Register (MMUCFG)	5-13
5.6.2	TLB0 and TLB1 Configuration Registers	5-14
5.6.3	Data Exception Address Register (DEAR).....	5-14
5.6.4	MMU Control and Status Register 0 (MMUCSR0)	5-14
5.6.5	MMU Assist Registers (MAS)	5-14
5.6.5.1	MAS Registers Summary	5-14
5.6.5.2	MAS Register Updates	5-14
5.7	Effect of Hardware Debug on MMU Operation	5-15

Chapter 6 Instruction Pipeline and Execution Timing

6.1	Overview of Operation	6-1
6.1.1	Control Unit	6-2

Contents

Paragraph Number	Title	Page Number
6.1.2	Instruction Unit.....	6-2
6.1.3	Branch Unit.....	6-3
6.1.4	Instruction Decode Unit.....	6-3
6.1.5	Exception Handling	6-3
6.2	Execution Units.....	6-3
6.2.1	Integer Execution Unit.....	6-3
6.2.2	Load/Store Unit.....	6-3
6.3	Instruction Pipeline	6-4
6.3.1	Description of Pipeline Stages.....	6-4
6.3.2	Instruction Buffers	6-5
6.3.3	Single-Cycle Instruction Pipeline Operation	6-7
6.3.4	Basic Load and Store Instruction Pipeline Operation.....	6-8
6.3.5	Change-of-Flow Instruction Pipeline Operation.....	6-9
6.3.6	Basic Multi-Cycle Instruction Pipeline Operation.....	6-10
6.3.7	Additional Examples of Instruction Pipeline Operation for Load and Store.....	6-10
6.3.8	Move to/from SPR Instruction Pipeline Operation.....	6-11
6.4	Stalls Caused by Accessing SPRs.....	6-13
6.5	Instruction Serialization	6-13
6.6	Interrupt Recognition and Exception Processing.....	6-14
6.7	Instruction Timings	6-16
6.7.1	SPE and Embedded Floating-Point Instruction Timing.....	6-21
6.7.1.1	SPE Integer Simple Instructions Timing	6-22
6.7.1.2	SPE Load and Store Instruction Timing	6-23
6.7.1.3	SPE Complex Integer Instruction Timing	6-24
6.7.1.4	Vector Floating-Point APU Instruction Timing.....	6-27
6.7.1.5	SPE Scalar Floating-Point Instruction Timing	6-28
6.8	Operand Placement on Performance.....	6-29

Chapter 7 External Core Complex Interfaces

7.1	Overview.....	7-1
7.2	Signal Index	7-2
7.3	Signal Descriptions	7-7
7.3.1	Processor State Signals	7-20
7.3.2	JTAG ID Signals	7-29
7.4	Internal Signals	7-30
7.5	Timing Diagrams	7-30
7.5.1	Processor Instruction/Data Transfers.....	7-30
7.5.1.1	Basic Read Transfer Cycles.....	7-32
7.5.1.2	Read Transfer with Wait State	7-33

Contents

Paragraph Number	Title	Page Number
7.5.1.3	Basic Write Transfer Cycles	7-34
7.5.1.4	Write Transfer with Wait States	7-35
7.5.1.5	Read and Write Transfers	7-36
7.5.1.6	Misaligned Accesses	7-39
7.5.2	Burst Accesses	7-43
7.5.3	Address Retraction	7-49
7.5.3.1	Error Termination Operation	7-51
7.5.4	Address Retraction	7-55
7.5.5	Power Management	7-57
7.5.6	Interrupt Interface	7-58

Chapter 8 Power Management

8.1	Overview	8-1
8.1.1	Power Management Signals	8-2
8.1.2	Power Management Control Bits	8-3
8.1.3	Software Considerations for Power Management	8-3
8.1.4	Debug Considerations for Power Management	8-3

Chapter 9 Debug Support

9.1	Introduction	9-2
9.2	Overview	9-2
9.2.1	Software Debug Facilities	9-2
9.2.1.1	PowerPC Book E Compatibility	9-3
9.2.2	Additional Debug Facilities	9-3
9.2.3	Hardware Debug Facilities	9-3
9.2.4	Sharing Debug Resources by Software/Hardware in e200z335	9-4
9.2.4.1	Simultaneous Hardware and Software Debug Event Handling in e200z335	9-4
9.3	Debug Registers	9-5
9.4	Software Debug Events and Exceptions	9-6
9.5	External Debug Support	9-11
9.5.1	OnCE Introduction	9-12
9.5.2	JTAG/OnCE Signals	9-15
9.5.3	OnCE Internal Interface Signals	9-16
9.5.3.1	CPU Address and Attributes	9-16
9.5.3.2	CPU Data	9-16
9.5.4	OnCE Interface Signals	9-16
9.5.5	OnCE Controller and Serial Interface	9-18

Contents

Paragraph Number	Title	Page Number
9.5.5.1	OnCE Status Register (OSR).....	9-19
9.5.5.2	OnCE Command Register (OCMD).....	9-19
9.5.5.3	OnCE Control Register (OCR).....	9-22
9.5.6	Access to Debug Resources.....	9-23
9.5.7	Methods for Entering Debug Mode.....	9-25
9.5.8	CPU Status and Control Scan Chain Register (CPUSCR).....	9-26
9.5.8.1	Instruction Register (IR).....	9-27
9.5.8.2	Control State Register (CTL).....	9-27
9.5.8.3	Program Counter Register (PC).....	9-30
9.5.8.4	Write-Back Bus Register (WBBR (lower) and WBBR (upper)) (should we consider making this shorter i.e. WBBRL and WBBRU).....	9-30
9.5.8.5	Machine State Register (MSR).....	9-31
9.5.9	Instruction Address FIFO Buffer (PC FIFO).....	9-31
9.5.10	Reserved Registers.....	9-33
9.6	Watchpoint Support.....	9-33
9.7	MMU and Cache Operation during Debug.....	9-34
9.8	Cache Array Access During Debug.....	9-34
9.9	Enabling, Using, and Exiting External Debug Mode: Example.....	9-34

Chapter 10 Nexus3/Nexus2+ Module

10.1	Introduction.....	10-2
10.1.1	General Description.....	10-2
10.1.2	Terms and Definitions.....	10-2
10.1.3	Feature List.....	10-3
10.2	Enabling Nexus3 Operation.....	10-6
10.3	TCODEs Supported.....	10-7
10.4	Nexus3/Nexus2+ Programmer's Model.....	10-11
10.4.1	Client Select Control Register (CSC).....	10-12
10.4.2	Port Configuration Register (PCR).....	10-13
10.4.3	Development Control Register 1, 2 (DC1, DC2).....	10-14
10.4.4	Development Status Register (DS).....	10-16
10.4.5	Read/Write Access Control/Status Register (RWCS).....	10-16
10.4.6	Read/Write Access Data Register (RWD).....	10-18
10.4.7	Read/Write Access Address Register (RWA).....	10-20
10.4.8	Watchpoint Trigger Register (WT).....	10-20
10.4.9	Data Trace Control Register (DTC).....	10-21
10.4.10	Data Trace Start Address 1 and 2 Registers (DTSA1 and DTSA2).....	10-23
10.4.11	Data Trace End Address Registers 1 and 2 (DTEA1 and DTEA2).....	10-23
10.5	Nexus3/Nexus2+ Register Access Through JTAG/OnCE.....	10-24

Contents

Paragraph Number	Title	Page Number
10.6	Ownership Trace	10-24
10.6.1	Overview	10-24
10.6.2	Ownership Trace Messaging (OTM)	10-25
10.6.3	OTM Error Messages	10-25
10.6.4	OTM Flow	10-26
10.7	Program Trace	10-27
10.7.1	Branch Trace Messaging (BTM)	10-27
10.7.1.1	e200z6e200z3 Indirect Branch Message Instructions (Book E)	10-27
10.7.1.2	e200z6e200z3 Direct Branch Message Instructions (Book E)	10-27
10.7.1.3	BTM Using Branch History Messages	10-28
10.7.1.4	BTM Using Traditional Program Trace Messages	10-28
10.7.2	BTM Message Formats	10-28
10.7.2.1	Indirect Branch Messages (History)	10-29
10.7.2.2	Indirect Branch Messages (Traditional)	10-29
10.7.2.3	Direct Branch Messages (Traditional)	10-29
10.7.2.4	Resource Full Messages	10-29
10.7.2.5	Debug Status Messages	10-30
10.7.2.6	Program Correlation Messages	10-30
10.7.2.7	BTM Overflow Error Messages	10-31
10.7.2.8	Program Trace Synchronization Messages	10-32
10.7.3	BTM Operation	10-34
10.7.3.1	Enabling Program Trace	10-34
10.7.3.2	Relative Addressing	10-34
10.7.3.3	Execution Mode Indication	10-35
10.7.3.4	Branch/Predicate Instruction History (HIST)	10-35
10.7.3.5	Sequential Instruction Count (I-CNT)	10-35
10.7.3.6	Program Trace Queueing	10-36
10.7.4	Program Trace Timing Diagrams (2 MDO/1 MSEO Configuration)	10-36
10.8	Data Trace	10-37
10.8.1	Data Trace Messaging (DTM)	10-37
10.8.2	DTM Message Formats	10-38
10.8.2.1	Data Write Messages	10-38
10.8.2.2	Data Read Messages	10-38
10.8.2.3	DTM Overflow Error Messages	10-39
10.8.2.4	Data Trace Synchronization Messages	10-39
10.8.3	DTM Operation	10-41
10.8.3.1	DTM Queueing	10-41
10.8.3.2	Relative Addressing	10-41
10.8.3.3	Data Trace Windowing	10-41
10.8.3.4	Data Access/Instruction Access Data Tracing	10-41
10.8.3.5	e200z6e200z3 Bus Cycle Special Cases	10-41

Contents

Paragraph Number	Title	Page Number
10.8.4	Data Trace Timing Diagrams (8 MDO/2 MSEO Configuration)	10-42
10.9	Watchpoint Support	10-43
10.9.1	Overview	10-43
10.9.2	Watchpoint Messaging	10-43
10.9.3	Watchpoint Error Message	10-44
10.9.4	Watchpoint Timing Diagram (2 MDO/1 MSEO Configuration)	10-45
10.10	Nexus3/Nexus2+ Read/Write Access to Memory-Mapped Resources	10-45
10.10.1	Single Write Access	10-46
10.10.2	Block Write Access (Non-Burst Mode)	10-46
10.10.3	Block Write Access (Burst Mode)	10-47
10.10.4	Single Read Access	10-47
10.10.5	Block Read Access (Non-Burst Mode)	10-48
10.10.6	Block Read Access (Burst Mode)	10-48
10.10.7	Error Handling	10-49
10.10.7.1	AHB Read/Write Error	10-49
10.10.7.2	Access Termination	10-49
10.10.7.3	Read/Write Access Error Message	10-50
10.11	Nexus3/Nexus2+ Pin Interface	10-50
10.11.1	Pins Implemented	10-50
10.11.2	Pin Protocol	10-52
10.12	Rules for Output Messages	10-55
10.13	Auxiliary Port Arbitration	10-55
10.14	Examples	10-55
10.15	Electrical Characteristics	10-58
10.16	IEEE 1149.1 (JTAG) RD/WR Sequences	10-58
10.16.1	JTAG Sequence for Accessing Internal Nexus Registers	10-58
10.16.2	JTAG Sequence for Read Access of Memory-Mapped Resources	10-59
10.16.3	JTAG Sequence for Write Access of Memory-Mapped Resources	10-59

Contents

**Paragraph
Number**

Title

**Page
Number**

Figures

Figure Number	Title	Page Number
1-1	e200z3 Block Diagram.....	1-34
1-2	e200z335 Block Diagram.....	1-35
1-3	e200z3 Programmer's Model.....	1-39
2-1	e200z3 Programmer's Model.....	2-2
2-2	Machine State Register (MSR)	2-6
2-3	Processor ID Register (PIR).....	2-8
2-4	Processor Version Register (PVR)	2-9
2-5	System Version Register (SVR).....	2-9
2-6	Integer Exception Register (XER).....	2-10
2-7	Condition Register (CR)	2-11
2-8	Count Register (CTR)	2-14
2-9	Link Register (LR)	2-15
2-10	Signal Processing and Embedded Floating-Point Status and Control Register (SPEFSCR)	2-15
2-11	Save/Restore Register 0 (SRR0)	2-19
2-12	Save/Restore Register 1 (SRR1)	2-19
2-13	Critical Save/Restore Register 0 (CSRR0)	2-20
2-14	Critical Save/Restore Register 1 (CSRR1)	2-20
2-15	Data Exception Address Register (DEAR).....	2-20
2-16	Interrupt Vector Prefix Register (IVPR)	2-21
2-17	Interrupt Vector Offset Registers (IVOR).....	2-21
2-18	Exception Syndrome Register (ESR).....	2-23
2-19	Debug Save/Restore Register 0 (DSRR0)	2-25
2-20	Debug Save/Restore Register 1 (DSRR1)	2-25
2-21	Machine Check Syndrome Register (MCSR).....	2-26
2-22	Software-Use SPRs (SPRG0–SPRG7 and USPRG0).....	2-27
2-23	Relationship of Timer Facilities to the Time Base.....	2-27
2-24	Timer Control Register (TCR)	2-28
2-25	Timer Status Register (TSR)	2-30
2-26	Time Base Upper/Lower Registers (TBU/TBL).....	2-31
2-27	Decrementer Register (DEC)	2-32
2-28	Decrementer Auto-Reload Register (DECAR).....	2-32
2-29	Instruction Address Compare Registers (IAC1–IAC4)	2-33
2-30	Data Address Compare Registers (DAC1–DAC2).....	2-34
2-31	Data Value Compare Registers (DVC1–DVC2).....	2-34
2-32	DBCNT Register.....	2-35
2-33	DBCR0 Register	2-36
2-34	Debug Control Register 1 (DBCR1)	2-38

Figures

Figure Number	Title	Page Number
2-35	DBCR2 Register	2-40
2-36	DBCR3 Register	2-43
2-37	DBSR Register	2-47
2-38	Hardware Implementation-Dependent Register 0 (HID0)	2-49
2-39	Hardware Implementation-Dependent Register 1 (HID1)	2-51
2-40	Branch Unit Control and Status Register (BUCSR)	2-52
2-41	MMU Control and Status Register 0 (MMUCSR0)	2-53
2-42	MMU Configuration Register 1 (MMUCFG)	2-53
2-43	TLB Configuration Register 0 (TLB0CFG)	2-54
2-44	TLB Configuration Register 1 (TLB1CFG)	2-55
2-45	MAS Register 0 (MAS0) Format	2-56
2-46	MMU Assist Register 1 (MAS1)	2-56
2-47	MMU Assist Register 2 (MAS2)	2-57
2-48	MMU Assist Register 3 (MAS3)	2-58
2-49	MMU Assist Register 4 (MAS4)	2-59
2-50	MMU Assist Register 6 (MAS6)	2-60
2-51	Process ID Register (PID0)	2-60
2-52	Context Control Register (CTXCR)	2-61
2-53	Parallel Signature Control Register (PSCR)	2-68
2-54	Parallel Signature Status Register (PSSR)	2-69
2-55	Parallel Signature High Register (PSHR)	2-70
2-56	Parallel Signature Low Register (PSLR)	2-70
2-57	Parallel Signature Counter Register (PSCTR)	2-70
2-58	Parallel Signature Update High Register (PSUHR)	2-71
2-59	Parallel Signature Update Low Register (PSULR)	2-71
4-1	Exception Syndrome Register (ESR)	4-4
4-2	Machine State Register (MSR)	4-5
4-3	Machine Check Syndrome register (MCSR)	4-7
4-4	Interrupt Vector Prefix Register (IVPR)	4-8
4-5	Interrupt Vector Offset Registers (IVOR)	4-9
5-1	Effective-to-Real Address Translation Flow	5-3
5-2	Virtual Address and TLB-Entry Compare Process	5-5
5-3	Granting of Access Permission	5-7
5-4	e200z3 TLB1 Organization	5-8
5-5	Victim Selection	5-9
5-6	MMU Assist Registers Summary	5-14
6-1	e200z3 Block Diagram	6-2
6-2	Pipeline Diagram	6-4
6-3	Instruction Buffers	6-6
6-4	Branch Target Buffer	6-7
6-5	Basic Pipeline Flow, Single-Cycle Instructions	6-8

Figures

Figure Number	Title	Page Number
6-6	A Load Followed by a Dependent Add Instruction	6-8
6-7	Back-to-Back Load Instructions	6-9
6-8	A Load Followed by a Dependent Store Instruction.....	6-9
6-9	Basic Pipeline Flow, Branch Instructions	6-10
6-10	Basic Pipeline Flow, Branch Speculation	6-10
6-11	Basic Pipeline Flow, Multi-Cycle Instructions	6-10
6-12	Pipelined Load/Store Instructions	6-11
6-13	Pipelined Load/Store Instructions with Wait-State	6-11
6-14	mtspr, mfspr Instruction Execution—(1)	6-12
6-15	mtmysr, wrtee, wrteei Instruction Execution.....	6-12
6-16	DCR, MMU mtspr, mfspr , and MMU Management Instruction Execution	6-13
6-17	Interrupt Recognition and Handler Instruction Execution	6-14
6-18	Interrupt Recognition and Handler Instruction Execution—Load/Store in Progress	6-15
6-19	Interrupt Recognition and Handler Instruction Execution—Multi-Cycle Instruction Abort	6-16
7-1	Core Signal Groups	7-3
7-2	Example External JTAG Register Design	7-28
7-3	Basic Read Transfer—Single-Cycle Reads, Full Pipelining.....	7-32
7-4	Read with Wait-State, Single-Cycle Reads, Full Pipelining	7-33
7-5	Basic Write Transfers—Single-Cycle Writes, Full Pipelining.....	7-34
7-6	Write with Wait-state, Single-Cycle Writes, Full Pipelining	7-35
7-7	Single-Cycle Reads, Single-Cycle Write, Full Pipelining	7-36
7-8	Single-Cycle Read, Write, Read—Full Pipelining.....	7-37
7-9	Multiple-Cycle Reads with Wait-State, Single-Cycle Writes, Full Pipelining	7-38
7-10	Multi-Cycle Read with Wait-State, Single-Cycle Write, Read with Wait-State, Single-Cycle Write, Full Pipelining	7-39
7-11	Misaligned Read, Read, Full Pipelining	7-40
7-12	Misaligned Write, Write, Full Pipelining	7-41
7-13	Misaligned Write, Single Cycle Read Transfer, Full Pipelining.....	7-42
7-14	Burst Read Transfer	7-43
7-15	Burst Read with Wait-state Transfer	7-44
7-16	Burst Write Transfer.....	7-45
7-17	Burst Write with Wait-State Transfer.....	7-46
7-18	Burst Read Transfers	7-47
7-19	Burst Read with Wait-State Transfer, Retraction	7-48
7-20	Burst Write Transfers, Single-Beat burst	7-49
7-21	Read Transfer with Wait-State, Address Retraction	7-50
7-22	Burst Read with Wait-State Transfer, Retraction	7-51
7-23	Read and Write Transfers: Instruction Read with Error, Data Read, Write, Full Pipelining	7-52
7-24	Data Read with Error, Data Write Retracted, Instruction Read, Full Pipelining	7-53

Figures

Figure Number	Title	Page Number
7-25	Misaligned Write with Error, Data Write Retracted, Burst Read Substituted, Full Pipelining	7-54
7-26	Burst Read with Error Termination, Burst Write	7-55
7-27	Read Transfer with Wait-State, Address Retraction	7-56
7-28	Burst Read with Wait-State Transfer, Retraction	7-57
7-29	Wakeup Control Signal (<i>p_wakeup</i>)	7-57
7-30	Interrupt Interface Input Signals	7-58
7-31	Interrupt Pending Operation.....	7-58
7-32	Interrupt Acknowledge Operation Case 1	7-59
7-33	Interrupt Acknowledge Operation Case 2.....	7-60
8-1	Power Management State Diagram.....	8-2
9-1	Core Debug Resources.....	9-3
9-2	OnCE TAP Controller and Registers	9-11
9-3	OnCE Controller as an FSM	9-12
9-4	OnCE Controller and Serial Interface	9-16
9-5	OnCE Status Register (OSR)	9-17
9-6	OnCE Command Register (OCMD)	9-18
9-7	OnCE Control Register	9-20
9-8	CPU Scan Chain Register (CPUSCR)	9-25
9-9	Control State Register (CTL)	9-26
9-10	OnCE PC FIFO	9-30
10-1	Nexus3 Functional Block Diagram.....	10-4
10-2	Client Select Control Register.....	10-10
10-3	Port Configuration Register	10-11
10-4	Development Control Register 1 (DC1)	10-12
10-5	Development Control Register 2 (DC2)	10-13
10-6	Development Status Register (DS)	10-14
10-7	Read/Write Access Control/Status Register (RWCS).....	10-15
10-8	Read/Write Access Data Register (RWD)	10-16
10-9	Read/Write Access Address Register (RWA)	10-17
10-10	Watchpoint Trigger Register (WT)	10-18
10-11	Data Trace Control Register (DTC).....	10-19
10-12	Data Trace Start Address Registers 1 and 2 (DTSA _n).....	10-20
10-13	Data Trace End Address Registers 1 and 2 (DTEA _n).....	10-20
10-14	Nexus3 Register Access through JTAG/OnCE (Example).....	10-21
10-15	Ownership Trace Message Format.....	10-23
10-16	Error Message Format.....	10-23
10-17	Indirect Branch Message (History) Format	10-26
10-18	Indirect Branch Message Format	10-26
10-19	Direct Branch Message Format.....	10-26
10-20	Resource Full Message Format.....	10-27

Figures

Figure Number	Title	Page Number
10-21	Debug Status Message Format.....	10-27
10-22	Program Correlation Message Format	10-28
10-23	Error Message Format.....	10-29
10-24	Direct/Indirect Branch with Synchronization Message Format.....	10-29
10-25	Indirect Branch History with Synchronization Message Format.....	10-30
10-26	Relative Address Generation and Re-Creation Example	10-31
10-27	Program Trace—Indirect Branch Message (Traditional).....	10-33
10-28	Program Trace—Indirect Branch Message (History)	10-33
10-29	Program Trace—Direct Branch (Traditional) and Error Messages	10-33
10-30	Program Trace—Indirect Branch with Synchronization Message.....	10-34
10-31	Data Write Message Format.....	10-35
10-32	Data Read Message Format	10-35
10-33	Error Message Format.....	10-36
10-34	Data Write/Read with Synchronization Message Format	10-36
10-35	Data Trace—Data Write Message.....	10-39
10-36	Data Trace—Data Read with Synchronization Message	10-39
10-37	Error Message (Data Trace Only Encoded)	10-39
10-38	Watchpoint Message Format.....	10-40
10-39	Error Message Format.....	10-41
10-40	Watchpoint Message and Watchpoint Error Message.....	10-41
10-41	Error Message Format.....	10-46
10-42	Single-Pin MSEO Transfers.....	10-49
10-43	Dual-Pin MSEO Transfers	10-50

Figures

**Figure
Number**

Title

**Page
Number**

Tables

Table Number	Title	Page Number
1-1	Scalar and Vector Embedded Floating-Point Instructions	1-39
1-2	Interrupt Registers	1-42
1-3	Exceptions and Conditions	1-43
2-1	MSR Field Descriptions	2-7
2-2	PIR Field Descriptions	2-8
2-3	PVR Field Descriptions	2-9
2-4	SVR Field Description	2-9
2-5	XER Field Descriptions	2-10
2-6	BI Operand Settings for CR Fields	2-11
2-7	CR0 Field Descriptions	2-13
2-8	CR Setting for Compare Instructions	2-13
2-9	SPEFSCR Field Descriptions	2-16
2-10	IVPR Field Descriptions	2-21
2-11	IVOR Field Descriptions	2-21
2-12	IVOR Assignments	2-22
2-13	ESR Field Descriptions	2-23
2-14	MCSR Field Descriptions	2-26
2-15	TCR Field Descriptions	2-29
2-16	Timer Status Register Field Descriptions	2-30
2-17	DBCR0 Field Descriptions	2-36
2-18	DBCR1 Field Descriptions	2-38
2-19	DBCR2 Field Descriptions	2-40
2-20	DBCR3 Field Descriptions	2-43
2-21	DBSR Field Descriptions	2-47
2-22	HID0 Field Descriptions	2-49
2-23	HID1 Field Descriptions	2-51
2-24	Branch Unit Control and Status Register	2-52
2-25	MMUCSR0 Field Descriptions	2-53
2-26	MMUCFG Field Descriptions	2-54
2-27	TLB0CFG Field Descriptions	2-54
2-28	TLB1CFG Field Descriptions	2-55
2-29	MAS0—MMU Read/Write and Replacement Control	2-56
2-30	MAS1—Descriptor Context and Configuration Control	2-57
2-31	MAS2—EPN and Page Attributes	2-58
2-32	MAS3—RPN and Access Control	2-59
2-33	MAS4—Hardware Replacement Assist Configuration Register	2-59
2-34	MAS6—TLB Search Context Register 0	2-60
2-35	System Response to Invalid SPR Reference	2-61

Tables

Table Number	Title	Page Number
2-36	Additional Synchronization Requirements for SPRs.....	2-62
2-37	Special-Purpose Registers.....	2-62
2-38	Reset Settings for e200z3 Resources.....	2-65
2-39	PSCR Field Descriptions.....	2-69
2-40	PSSR Field Descriptions.....	2-69
3-1	List of Unsupported Instructions.....	3-2
3-2	List of Optionally Supported Instructions.....	3-3
3-3	Implementation-Specific Instruction Summary.....	3-3
3-4	Memory Synchronization and Reservation Instructions—e200z3-Specific Details.....	3-4
3-5	SPE APU Vector Multiply Instruction Mnemonic Structure.....	3-7
3-6	Mnemonic Extensions for Multiply-Accumulate Instructions.....	3-8
3-7	SPE APU Vector Instructions.....	3-9
3-8	Vector and Scalar SPFP APU Floating-Point Instructions.....	3-15
3-9	Embedded Floating-Point APU Options.....	3-16
3-10	Invalid Instruction Forms.....	3-17
3-11	Instructions Sorted by Mnemonic.....	3-18
3-12	Instructions Sorted by Opcode.....	3-29
3-13	Full Instruction Listing.....	3-40
4-1	Interrupt Classifications.....	4-2
4-2	Exceptions and Conditions.....	4-3
4-3	ESR Field Descriptions.....	4-4
4-4	MSR Field Descriptions.....	4-6
4-5	MCSR Field Descriptions.....	4-7
4-6	IVPR Field Descriptions.....	4-8
4-7	IVOR Register Fields.....	4-9
4-8	IVOR Assignments.....	4-9
4-9	Critical Input Interrupt Register Settings.....	4-10
4-10	Machine Check Interrupt Register Settings.....	4-12
4-11	Data Storage Interrupt Register Settings.....	4-13
4-12	ISI Exceptions and Conditions.....	4-14
4-13	Instruction Storage Interrupt Register Settings.....	4-15
4-14	External Input Interrupt Register Settings.....	4-15
4-15	Alignment Interrupt Register Settings.....	4-16
4-16	Program Interrupt Register Settings.....	4-17
4-17	Floating-Point Unavailable Interrupt Register Settings.....	4-18
4-18	System Call Interrupt Register Settings.....	4-18
4-19	Decrementer Interrupt Register Settings.....	4-19
4-20	Fixed-Interval Timer Interrupt Register Settings.....	4-19
4-21	Watchdog Timer Interrupt Register Settings.....	4-20
4-22	Data TLB Error Interrupt Register Settings.....	4-21
4-23	Instruction TLB Error Interrupt Register Settings.....	4-21

Tables

Table Number	Title	Page Number
4-24	Debug Exceptions	4-22
4-25	Debug Interrupt Register Settings.....	4-23
4-26	TSR Watchdog Timer Reset Status	4-26
4-27	DBSR Most Recent Reset	4-26
4-28	System Reset Register Settings.....	4-26
4-29	SPE Unavailable Interrupt Register Settings	4-26
4-30	SPE Floating-Point Data Interrupt Register Settings.....	4-27
4-31	SPE Floating-Point Round Interrupt Register Settings.....	4-28
4-32	e200z3 Exception Priorities	4-29
4-33	MSR Setting Due to Interrupt	4-32
5-1	TLB Maintenance Programming Model	5-2
5-2	Page Size (for e200z3 Core) and EPN Field Comparison	5-5
5-3	TLB Entry Bit Fields for e200z3	5-9
5-4	tlbivax EA Bit Definitions	5-11
5-5	TLB Entry 0 Values after Reset	5-13
5-6	MMU Assist Register Field Updates	5-15
6-1	Pipeline Stages	6-4
6-2	Instruction Class Cycle Counts	6-17
6-3	Instruction Timing by Mnemonic	6-17
6-4	Timing for Integer Simple Instructions.....	6-22
6-5	SPE Load and Store Instruction Timing	6-23
6-6	SPE Complex Integer Instruction Timing.....	6-24
6-7	SPE Vector Floating-Point Instruction Timing	6-28
6-8	Scalar SPE Floating-Point Instruction Timing.....	6-29
6-9	Performance Effects of Storage Operand Placement	6-30
7-1	Interface Signal Definitions	7-4
7-2	Processor Clock Signal Description.....	7-7
7-3	Descriptions of Signals Related to Reset	7-8
7-4	Descriptions of Signals for the Address and Data Buses.....	7-9
7-5	Descriptions of Transfer Attribute Signals	7-9
7-6	Descriptions of Signals for Byte Lane Specification	7-11
7-7	Byte Strobe Assertion for Transfers.....	7-11
7-8	Big-and Little-Endian Storage (64-Bit GPR Contains ‘A B C D E F G H’)	7-13
7-9	Descriptions of Signals for Transfer Control Signals	7-16
7-10	Descriptions of Master ID Configuration Signals.....	7-17
7-11	Descriptions of Interrupt Signals	7-17
7-12	Descriptions of Timer Facility Signals	7-19
7-13	Descriptions of Processor Reservation Signals.....	7-19
7-14	Descriptions of Miscellaneous Processor Signals.....	7-19
7-15	Descriptions of Processor State Signals.....	7-20
7-16	Descriptions of Power Management Control Signals	7-21

Tables

Table Number	Title	Page Number
7-17	Descriptions of Debug Events Signals.....	7-22
7-18	Core Debug/Emulation Support Signals	7-23
7-19	Descriptions of Debug/Emulation (Nexus 1/ OnCE) Support Signals	7-24
7-20	core Development Support (Nexus3) Signals	7-25
7-21	JTAG Primary Interface Signals	7-25
7-22	Descriptions of JTAG Interface Signals.....	7-25
7-23	JTAG Register ID Fields	7-29
7-24	JTAG ID Register Inputs.....	7-29
7-25	Descriptions of JTAG ID Signals.....	7-29
7-26	Internal Signal Descriptions.....	7-30
8-1	Power States	8-1
8-2	Descriptions of Timer Facility and Power Management Signals.....	8-2
8-3	Power Management Control Bits	8-3
9-1	Debug Registers	9-4
9-2	Debug Event Descriptions	9-6
9-3	JTAG/OnCE Primary Interface Signals	9-13
9-4	OnCE Internal Interface Signals	9-14
9-5	OnCE Interface Signals.....	9-15
9-6	OSR Field Descriptions	9-17
9-7	OCMD Field Descriptions	9-18
9-8	OnCE Control Register Bit Definitions	9-20
9-9	OnCE Register Access Requirements.....	9-22
9-10	Methods for Entering Debug Mode	9-24
9-11	CTL Field Definitions	9-26
9-12	Watchpoint Output Signal Assignments	9-31
10-1	Terms and Definitions	10-1
10-2	Public TCODEs Supported	10-5
10-3	Error Code Encodings (TCODE = 8).....	10-7
10-4	Resource Code Encodings (TCODE = 27)	10-8
10-5	Event Code Encodings (TCODE = 33).....	10-8
10-6	Data Trace Size Encodings (TCODE = 5, 6, 13, or 14).....	10-8
10-7	Nexus3 Register Map.....	10-9
10-8	CSC Field Descriptions.....	10-10
10-9	PCR Field Descriptions.....	10-11
10-10	DC1 Field Descriptions.....	10-12
10-11	DC2 Field Descriptions.....	10-13
10-12	DS Field Descriptions	10-14
10-13	RWCS Field Descriptions	10-15
10-14	Read/Write Access Status Bit Encodings.....	10-15
10-15	RWD data placement for Transfers.....	10-16
10-16	RWD byte lane data placement.....	10-17

Tables

Table Number	Title	Page Number
10-17	WT Field Descriptions	10-18
10-18	DTC Field Descriptions	10-19
10-19	Data Trace—Address Range Options	10-21
10-20	Nexus Register Example	10-21
10-21	Indirect Branch Message Sources	10-24
10-22	Direct Branch Message Sources	10-25
10-23	RCODE Encoding	10-27
10-24	Program Trace Exception Summary	10-30
10-25	Data Trace Exception Summary	10-37
10-26	e200z3 Bus Cycle Cases	10-38
10-27	Watchpoint Source Encoding	10-40
10-28	Single Write Access Field Settings	10-42
10-29	Single Read Access Parameter Settings	10-44
10-30	JTAG Pins for Nexus3	10-47
10-31	Nexus3 Auxiliary Pins	10-47
10-32	Nexus Port Arbitration Signals	10-48
10-33	MSEO Pin(s) Protocol	10-48
10-34	MDO Request Encodings	10-51
10-35	Indirect Branch Message Example (2 MDO/1 MSEO)	10-52
10-36	Indirect Branch Message Example (8 MDO/2 MSEO)	10-52
10-37	Direct Branch Message Example (2 MDO/1 MSEO)	10-53
10-38	Direct Branch Message Example (8 MDO / 2 MSEO)	10-53
10-39	Data Write Message Example (8 MDO/1 MSEO)	10-53
10-40	Data Write Message Example (8 MDO/2 MSEO)	10-54
10-41	Accessing Internal Nexus3 Registers through JTAG/OnCE	10-54
10-42	Accessing Memory-Mapped Resources (Reads)	10-55
10-43	Accessing Memory-Mapped Resources (Writes)	10-55

Tables

**Table
Number**

Title

**Page
Number**

About This Book

The primary objective of this user's manual is to describe the functionality of the e200z3 embedded microprocessor core for software and hardware developers. This book is intended as a companion to the *EREF: A Programmer's Reference Manual for Freescale Book E Processors* (hereafter referred to as *EREF*).

Book E is a PowerPC™ architecture definition for embedded processors that ensures binary compatibility with the user-instruction set architecture (UISA) portion of the PowerPC architecture as it was jointly developed by Apple, IBM, and Motorola (referred to as the AIM architecture).

This document distinguishes among the three levels of the architectural and implementation definition, as follows:

- The Book E architecture—Book E defines a set of user-level instructions and registers that are drawn from the user instruction set architecture (UISA) portion of the AIM definition PowerPC architecture. Book E also includes numerous supervisor-level registers and instructions as they were defined in the AIM version of the PowerPC architecture for the virtual environment architecture (VEA) and the operating environment architecture (OEA).

Because the operating system resources (such as the MMU and interrupts) defined by Book E differ greatly from those defined by the AIM architecture, Book E introduces many new registers and instructions.

- Freescale Book E implementation standards (EIS)—In many cases, the Book E architecture definition provides a general framework, leaving specific details up to the implementation. To ensure consistency among its Book E implementations, Freescale has defined implementation standards that provide an additional layer of architecture between Book E and the actual devices.
- e200z3 implementation details—Each processor typically defines instructions, registers, register fields, and other aspects that are more detailed than either the Book E definition or the EIS. This book describes all of the instructions and registers implemented on the e200z3, including those defined by Book E and by the EIS, as well as those that are e200z3-specific.

Information in this book is subject to change without notice, as described in the disclaimers on the title page of this book. As with any technical documentation, it is the readers' responsibility to be sure they are using the most recent version of the documentation.

Audience

It is assumed that the reader understands operating systems, microprocessor system design, and the basic principles of RISC processing.

Organization

Following is a summary and a brief description of the major sections of this manual:

- [Chapter 1, “e200z335 Core Complex Overview,”](#) provides a general description of e200z3 functionality.
- [Chapter 2, “Register Model,”](#) is useful for software engineers who need to understand the programming model for the three programming environments and the functionality of each register.
- [Chapter 3, “Instruction Model,”](#) provides an overview of the addressing modes and a description of the instructions. Instructions are organized by function.
- [Chapter 4, “Interrupts and Exceptions,”](#) describes how the e200z3 implements the interrupt model as it is defined by the Book E architecture.
- [Chapter 5, “Memory Management Unit,”](#) provides specific hardware and software details regarding the e200z3 MMU implementation.
- [Chapter 6, “Instruction Pipeline and Execution Timing,”](#) describes how instructions are fetched, decoded, issued, executed, and completed, and how instruction results are presented to the processor and memory system. Tables are provided that indicate latency and throughput for each of the instructions supported by the e200z3.
- [Chapter 7, “External Core Complex Interfaces,”](#) describes those aspects of the CCB that are configurable or that provide status information through the programming interface. It provides a glossary of signals mentioned throughout the book to offer a clearer understanding of how the core is integrated as part of a larger device.
- [Chapter 8, “Power Management,”](#) describes the power management facilities as they are defined by Book E and implemented in the e200z3 core.
- [Chapter 9, “Debug Support,”](#) describes the debug facilities as they are defined by Book E and implemented in the e200z3 core.
- [Chapter 10, “Nexus3/Nexus2+ Module,”](#) describes the e200z3 Nexus3 module, which provides real-time development capabilities for e200z3 processors in compliance with the *IEEE-ISTO Nexus 5001-2003* standard.
- This book also includes an index.

Suggested Reading

This section lists additional reading that provides background for the information in this manual as well as general information about the architecture.

General Information

The following documentation, published by Morgan-Kaufmann Publishers, 340 Pine Street, Sixth Floor, San Francisco, CA, provides useful information about the PowerPC architecture and computer architecture in general:

- *The PowerPC Architecture: A Specification for a New Family of RISC Processors*, Second Edition, by International Business Machines, Inc.
For updates to the specification, see <http://www.austin.ibm.com/tech/ppc-chg.html>
- *Computer Architecture: A Quantitative Approach*, Third Edition, by John L. Hennessy and David A. Patterson.
- *Computer Organization and Design: The Hardware/Software Interface*, Second Edition, David A. Patterson and John L. Hennessy.

Related Documentation

Freescale documentation is available from the sources listed on the back cover of this manual; the document order numbers are included in parentheses for ease in ordering:

- *EREF: A Programmer's Reference Manual for Freescale Book E Processors (EREF)*—This book provides a higher-level view of the programming model as it is defined by Book E, the Freescale Book E implementation standards, and the e200z3 microprocessor.
- Reference manuals—These books provide details about individual implementations and are intended for use with the *EREF*.
- Addenda/errata to reference manuals—Because some processors have follow-on parts, an addendum is provided that describes the additional features and functionality changes. These addenda are intended for use with the corresponding reference manuals.
- Hardware specifications—Hardware specifications provide specific data regarding bus timing, signal behavior, and AC, DC, and thermal characteristics, as well as other design considerations.
- Product briefs—Each device has a product brief that provides an overview of its features.
- Application notes—These short documents address specific design issues useful to programmers and engineers working with Freescale processors.

Additional literature is published as new processors become available. For a current list of documentation, refer to the website on the inside cover of this book.

Conventions

This document uses the following notational conventions:

cleared/set	When a bit takes the value zero, it is said to be cleared; when it takes a value of one, it is said to be set.
mnemonics	Instruction mnemonics are shown in lowercase bold.
<i>italics</i>	Italics indicate variable command parameters, for example, bcctrx . Book titles in text are set in italics. Internal signals are set in italics, for example, <i>qual BG</i> .
0x0	Prefix to denote hexadecimal number
0b0	Prefix to denote binary number
rA, rB	Instruction syntax used to identify a source GPR

rD	Instruction syntax used to identify a destination GPR
REG[FIELD]	Abbreviations for registers are shown in uppercase text. Specific bits, fields, or ranges appear in brackets. For example, MSR[LE] refers to the little-endian mode enable bit in the machine state register.
x	In some contexts, such as signal encodings, an unitalicized x indicates a don't care.
<i>x</i>	An italicized <i>x</i> indicates an alphanumeric variable.
<i>n</i>	An italicized <i>n</i> indicates a numeric variable.
¬	NOT logical operator
&	AND logical operator
	OR logical operator

Terminology Conventions

Table i lists certain terms used in this manual that differ from the architecture terminology conventions.

Table i. Terminology Conventions

Architecture Specification	This Manual
Change bit	Changed bit
Extended mnemonics	Simplified mnemonics
Out of order memory accesses	Speculative memory accesses
Privileged mode (or privileged state)	Supervisor level
Problem mode (or problem state)	User level
Reference bit	Referenced bit
Relocation	Translation
Storage (locations)	Memory
Storage (the act of)	Access

Acronyms and Abbreviations

Table ii contains acronyms and abbreviations that are used in this document.

Table ii. Acronyms and Abbreviated Terms

Term	Meaning
CR	Condition register
CTR	Count register
DCR	Data control register
DTLB	Data translation lookaside buffer
EA	Effective address

Table ii. Acronyms and Abbreviated Terms (continued)

Term	Meaning
ECC	Error checking and correction
FPR	Floating-point register
GPR	General-purpose register
IEEE	Institute of Electrical and Electronics Engineers
ITLB	Instruction translation lookaside buffer
L2	Secondary cache
LIFO	Last-in-first-out
LR	Link register
LRU	Least recently used
LSB	Least-significant byte
lsb	Least-significant bit
MMU	Memory management unit
MSB	Most-significant byte
msb	Most-significant bit
MSR	Machine state register
NaN	Not a number
NIA	Next instruction address
No-op	No operation
PTE	Page table entry
RISC	Reduced instruction set computing
RTL	Register transfer language
SIMM	Signed immediate value
SPR	Special-purpose register
TLB	Translation lookaside buffer
UIMM	Unsigned immediate value
UISA	User instruction set architecture
VA	Virtual address
VLE	Variable-length encoding
XER	Register used primarily for indicating conditions such as carries and overflows for integer operations

Chapter 1

e200z335 Core Complex Overview

This chapter provides an overview of the e200z3 and e200z335 microprocessor cores built on Power Architecture™ technology for embedded processors. It includes the following:

- An overview of Power ISA™ (instruction set architecture) features for the embedded environment that are implemented in this core
- A summary of the core feature set
- An overview of the programming model
- An overview of interrupts and exception handling
- A summary of instruction pipeline and flow
- A description of the memory-management architecture
- High-level details of the core memory and coherency model
- A summary of Power ISA compatibility and migration from the original version of the PowerPC™ architecture as defined by Apple, IBM, and Freescale (referred to as the AIM version of the PowerPC architecture)
- Information regarding e200z3 and e200z335 features defined by the Freescale Book E implementation standards (EIS)

1.1 Overview of the e200z3 and e200z335

The e200z3 and e200z335 processor family is a set of CPU cores that are low-cost implementations of Power Architecture technology for embedded processors. e200z3 and e200z335 processors are designed for deeply embedded control applications that require low-cost solutions rather than maximum performance. In this document the term ‘e200z3’ refers to the family of e200z3 families. The term ‘e200z335’ is also used when defining features that are different between the e200z3 and e200z335 cores.

The e200z3 core implements the variable-length encoding (VLE) category, providing improved code density. See the *EREF* and the supplementary *VLE PEM* for more information about the VLE extension.

[Figure 1-1](#) and [Figure 1-2](#) show high-level block diagrams of the e200z3 and e200z335 core, respectively.

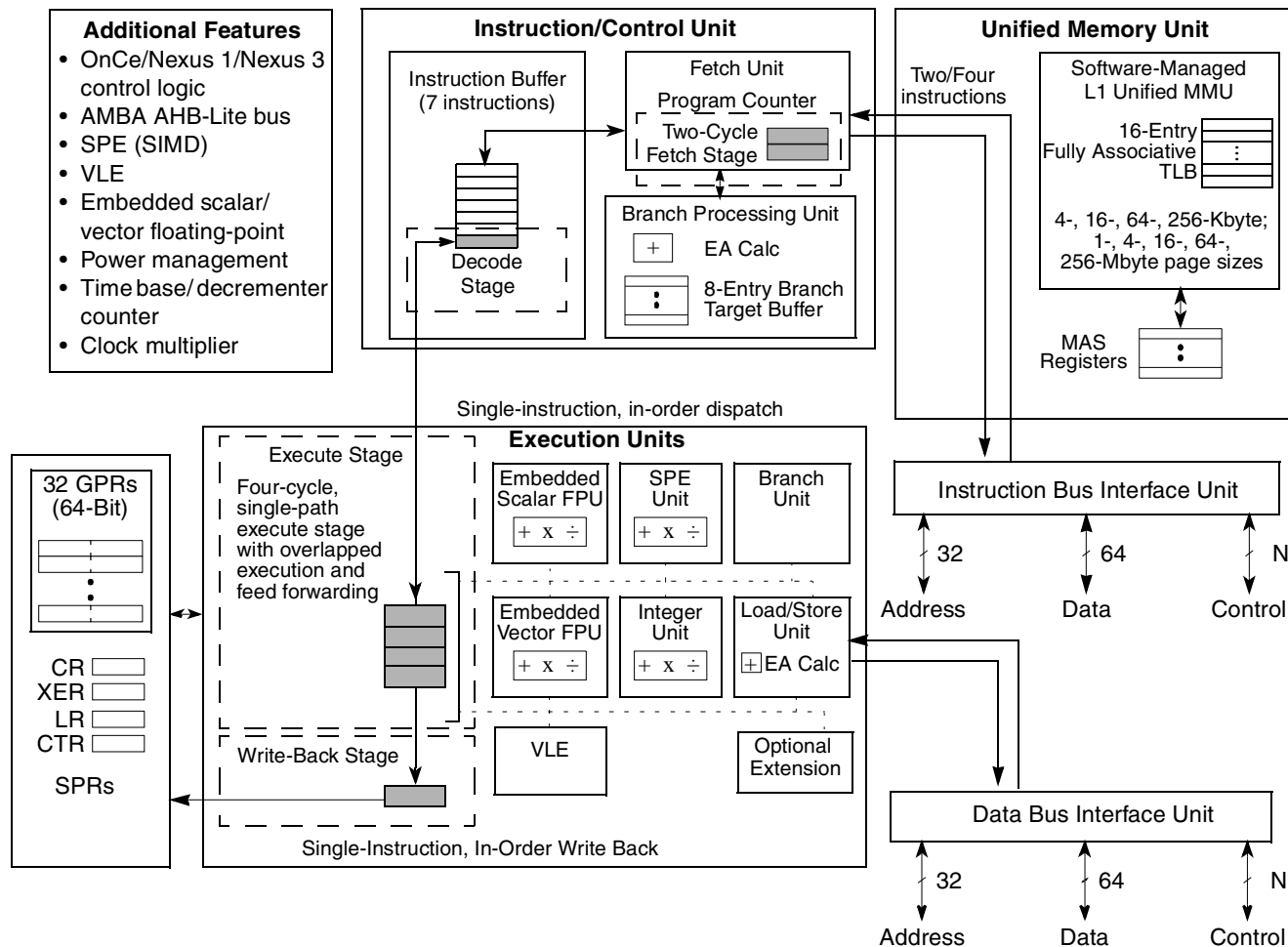


Figure 1-1. e200z3 Block Diagram

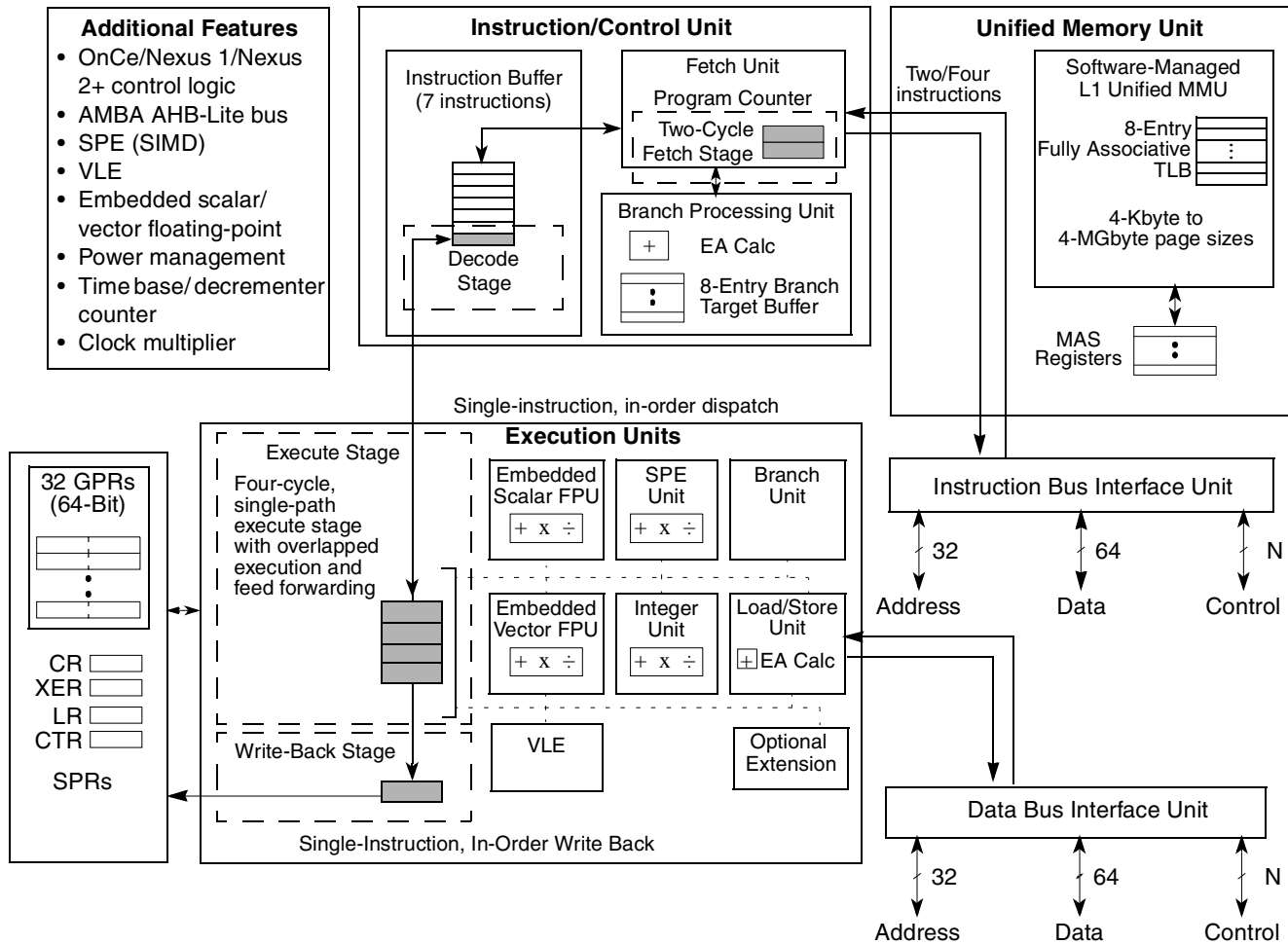


Figure 1-2. e200z335 Block Diagram

The e200z3 is a single-issue, 32-bit, Power ISA–compliant design with 64-bit, general-purpose registers (GPRs).

Instructions of the signal processing extension (SPE) category, as well as of the embedded vector and scalar floating-point categories, are provided to support real-time integer and single-precision embedded floating-point operations using the GPRs. The e200z3 does not support Power ISA floating-point instructions in hardware but traps them so they can be emulated by software.

All arithmetic instructions that execute in the core operate on data in the GPRs, which have been extended to 64 bits to support vector instructions defined by the SPE and embedded vector floating-point categories. These instructions operate on a vector pair of 16- or 32-bit data types and deliver vector and scalar results.

The e200z3 contains a memory management unit (MMU). A Nexus Class 3 module is also integrated in the e200z3 and a Nexus Class 2+ module is integrated in the e200z335.

The e200z3 platform is specified in such a way that functional units can be added or removed. The e200z3 can be configured with a powerful vectored interrupt controller and one or more IP slave interfaces, as well as support for configured memory units.

1.1.1 Features

Key features of the e200z3 and e200z335 are summarized as follows:

- Single-issue, 32-bit Power ISA–compliant core
- Implementation of the VLE category for reduced code footprint
- In-order execution and retirement
- Precise interrupt handling
- Branch processing unit (BPU)
 - Dedicated branch address calculation adder
 - Branch acceleration using a branch target buffer (BTB)
- Load/store unit (LSU)
 - 1-cycle load latency
 - Fully pipelined
 - Big- and little-endian support on a per-page basis
 - Misaligned access support
 - Zero load-to-use pipeline bubbles
- AMBA™ (advanced microcontroller bus architecture) AHB (advanced high-performance bus)-Lite 64-bit system bus
- MMU with 16-entry (8-entry in the e200z335), fully associative TLB and multiple page-size support
- Signal processing engine (SPE) category supporting integer operations using both halves of the 64-bit GPRs
- Single-precision embedded scalar floating-point category
- Single-precision embedded vector floating-point category that uses both halves of the 64-bit GPRs
- Nexus Class 3 (class 2+ in the e200z335) real-time development unit
- Power management
 - Low-power design—extensive clock gating
 - Power-saving modes: doze, nap, sleep
 - Dynamic power management of execution units
- e200z3 and e200z335-specific debug interrupt. The e200z3 family implements the debug interrupt as defined by the Power ISA with the following changes:
 - When the debug instructions are enabled ($HID0[DAPUEN] = 1$), debug is no longer a critical interrupt, but uses DSRR0 and DSRR1 for saving machine state on context switch.
 - The Return from Debug Interrupt (**rfdi**) instruction supports the debug save/restore registers (DSRR0 and DSRR1).
 - A critical interrupt taken debug event allows critical interrupts to generate a debug event.
 - A critical interrupt return debug event allows debug events to be generated for **rfdi** instructions.
- Testability
 - Synthesizable, full MuxD scan design

— ABIST/MBIST for optional memory arrays

1.2 Programming Model

This section describes the register model, instruction model, and the interrupt model as they are defined by the Power ISA, Freescale EIS, and the e200z3 and e200z335 implementation.

1.2.1 Register Set

Figure 1-3 shows the e200z3 and e200z335 register set, indicating which registers are accessible in supervisor mode and which are accessible in user mode. The number to the left of the special-purpose registers (SPRs) is the decimal number used in the instruction syntax to access the register. (For example, the integer exception register (XER) is SPR 1.)

GPRs are accessed through instruction operands. Access to other registers can be explicit (by using instructions for that purpose such as the Move To Special Purpose Register (**mtspr**) and Move From Special Purpose Register (**mfspr**) instructions) or implicit as part of the execution of an instruction. Some registers are accessed both explicitly and implicitly.

Figure 1-3. e200z3 Programmer's Model

1.3 Instruction Set

The e200z3 implements the following instructions:

- The Power ISA instruction set for 32-bit embedded implementations. This is composed primarily of the user-level instructions defined by the user instruction set architecture (UISA). The e200z3 does not include the Power ISA floating-point, load string, or store string instructions.
- The e200z3 supports the following EIS-defined instructions:
 - Integer select category. This category consists of the Integer Select instruction (**isel**), which functions as an if-then-else statement that selects between two source registers by comparison to a CR bit. This instruction eliminates conditional branches, takes fewer clock cycles than the equivalent coding, and reduces the code footprint.
 - Debug category. This category defines the Return from Debug Interrupt instruction (**rfdi**).
 - SPE vector instructions. New vector instructions are defined that view the 64-bit GPRs as being composed of a vector of two 32-bit elements (some of the instructions also read or write 16-bit elements). Some scalar instructions are defined for DSP that produce a 64-bit scalar result.
 - The embedded floating-point categories provide single-precision scalar and vector floating-point instructions. Scalar floating-point instructions use only the lower 32 bits of the GPRs for single-precision floating-point calculations. [Table 1-1](#) lists embedded floating-point instructions.
 - Wait category in the e200z335 only. This category consists of the **wait** instruction that allows software to cease all synchronous activity and wait for an asynchronous interrupt to occur.
 - Volatile Context Save/Restore category in the e200z335 only. This category supports the capability to quickly save and restore volatile register context on entry into an interrupt handler.
 - e200z3 family implements eight additional (four scalar and four vector) floating-point instructions.

Table 1-1. Scalar and Vector Embedded Floating-Point Instructions

Instruction	Mnemonic		Syntax
	Scalar	Vector	
Convert Floating Point from Signed Fraction	efscfsf	evscfsf	rD,rB
Convert Floating Point from Signed Integer	efscfsi	evscfsi	rD,rB
Convert Floating Point from Unsigned Fraction	efscfuf	evscfuf	rD,rB
Convert Floating Point from Unsigned Integer	efscfui	evscfui	rD,rB
Convert Floating Point to Signed Fraction	efscfsf	evscfsf	rD,rB
Convert Floating Point to Signed Integer	efscfsi	evscfsi	rD,rB
Convert Floating Point to Signed Integer with Round Toward Zero	efscfsiz	evscfsiz	rD,rB
Convert Floating Point to Unsigned Fraction	efscfuf	evscfuf	rD,rB
Convert Floating Point to Unsigned Integer	efscfui	evscfui	rD,rB

Table 1-1. Scalar and Vector Embedded Floating-Point Instructions (continued)

Instruction	Mnemonic		Syntax
	Scalar	Vector	
Convert Floating Point to Unsigned Integer with Round Toward Zero	efsctuiz	evfsctuiz	rD,rB
Floating-Point Absolute Value	efsabs	evfsabs	rD,rA
Floating-Point Add	efsadd	evfsadd	rD,rA,rB
Floating-Point Compare Equal	efscmpeq	evfscmpeq	crD,rA,rB
Floating-Point Compare Greater Than	efscmpgt	evfscmpgt	crD,rA,rB
Floating-Point Compare Less Than	efscmplt	evfscmplt	crD,rA,rB
Floating-Point Divide	efsddiv	evfsddiv	rD,rA,rB
Floating-Point Multiply	efsmul	evfsmul	rD,rA,rB
Floating-Point Negate	efsneg	evfsneg	rD,rA
Floating-Point Negative Absolute Value	efsnabs	evfsnabs	rD,rA
Floating-Point Subtract	efssub	evfssub	rD,rA,rB
Floating-Point Test Equal	efststeq	evfststeq	crD,rA,rB
Floating-Point Test Greater Than	efststgt	evfststgt	crD,rA,rB
Floating-Point Test Less Than	efststlt	evfststlt	crD,rA,rB
Floating-Point Single-Precision Multiply-Add	efsmadd	evfsmadd	rD,rA,rB
Floating-Point Single-Precision Negative Multiply-Add	efsnmadd	evfsmadd	rD,rA,rB
Floating-Point Single-Precision Multiply-Subtract	efsmsub	evfmsub	rD,rA,rB
Floating-Point Single-Precision Negative Multiply-Subtract	efsnmsub	evfnmsub	rD,rA,rB

1.4 VLE Category

This section describes the extensions to the architecture to support variable-length encoding (VLE).

- **rfdi**, **rfdi**, **rfdi** do not mask bit 62 of CSRR0, DSRR0, or SRR0. The destination address is [D,C]SRR0[32–62] || 0b0.
- **bclr**, **bclrl**, **bcctr**, **bcctrl** do not mask bit 62 of the LR or CTR. The destination address is [LR, CTR][32–62] || 0b0.

1.5 Interrupts and Exception Handling

The core supports an extended exception handling model, with nested interrupt capability and extensive interrupt vector programmability. The following sections define the interrupt model, including an overview of interrupt handling as implemented on the e200z3 core, a brief description of the interrupt classes, and an overview of the registers involved in the processes.

1.5.1 Interrupt Handling

In general, interrupt processing begins with an exception that occurs due to external conditions, errors, or program execution problems. When an exception occurs, the processor checks whether interrupt processing is enabled for that particular exception. If enabled, the interrupt causes the state of the processor to be saved in the appropriate registers and prepares to begin execution of the handler located at the associated vector address for that particular exception.

Once the handler is executing, the implementation may need to check bits in the exception syndrome register (ESR), the machine check syndrome register (MCSR), or the signal processing and embedded floating-point status and control register (SPEFSCR), depending on the exception type, to verify the specific cause of the exception and take appropriate action.

The core complex supports the interrupts described in [Section 1.5.4, “Interrupt Registers.”](#)

1.5.2 Interrupt Classes

All interrupts may be categorized as asynchronous/synchronous and critical/noncritical.

- Asynchronous interrupts (such as machine check, critical input, and external interrupts) are caused by events that are independent of instruction execution. For asynchronous interrupts, the address reported in a save/restore register is the address of the instruction that would have executed next had the asynchronous interrupt not occurred.
- Synchronous interrupts are those that are caused directly by the execution or attempted execution of instructions. Synchronous inputs are further divided into precise and imprecise types.
 - Synchronous precise interrupts are those that precisely indicate the address of the instruction causing the exception that generated the interrupt or, in some cases, the address of the immediately following instruction. The interrupt type and status bits allow determination of which of the two instructions has been addressed in the appropriate save/restore register.
 - Synchronous imprecise interrupts are those that may indicate the address of the instruction causing the exception that generated the interrupt, or some instruction after the instruction causing the interrupt. If the interrupt was caused by either the context synchronizing mechanism or the execution synchronizing mechanism, the address in the appropriate save/restore register is the address of the interrupt-forcing instruction. If the interrupt was not caused by either of those mechanisms, the address in the save/restore register is the last instruction to start execution and may not have completed. No instruction following the instruction in the save/restore register has executed.

1.5.3 Interrupt Types

The e200z3 core processes all interrupts as either debug, critical, or noncritical types. Separate control and status register sets are provided for each type of interrupt. The core handles interrupts from these three categories in the following order of priority:

1. Debug interrupt—The EIS defines a separate set of resources for the debug interrupt. The debug save and restore registers (DSRR0/DSRR1) are used to save state when a debug interrupt is taken; the **rfdi** instruction restores state when interrupt handling completes. The debug enable bit, HID0[DAPUEN], determines what interrupt is taken when a debug exception occurs, as follows:
 - If DAPUEN = 0, the debug interrupt is disabled. Debug interrupts use the critical interrupt resources: CSRR0/CSRR1 and **rfdi**; **rfdi** is treated as an illegal instruction. DCLREE, DCLRCE, CICLRDE, and MCCLRDE settings are ignored and are assumed to be ones.
 - If DAPUEN = 1, debug is enabled. Debug interrupts use DSRR0/DSRR1 for saving state, and **rfdi** is available for returning from a debug interrupt.
2. Noncritical interrupts—First-level interrupts that allow the processor to change program flow to handle conditions generated by external signals, errors, or unusual conditions arising from program execution or from programmable timer events. These interrupts are largely identical to those defined by the OEA portion of the architecture. They use the save and restore registers (SRR0/SRR1) to save state when they are taken, and they use the **rfi** instruction to restore state. Asynchronous noncritical interrupts can be masked by the external interrupt enable bit, MSR[EE].
3. Critical interrupts—Critical interrupts can be taken during a noncritical interrupt or during regular program flow. They use the critical save and restore registers (CSRR0/CSRR1) to save state when they are taken, and they use the **rfdi** instruction to restore state. These interrupts can be masked by the critical enable bit, MSR[CE]. The Power ISA defines the critical input, watchdog timer, and machine check interrupts as critical interrupts, but the e200z3 core defines a third set of resources for the debug interrupt, as described in [Table 1-2](#).

All interrupts except debug interrupts are ordered within the two categories of noncritical and critical, such that only one interrupt of each category is reported, and when it is processed (taken), no program state is lost. Because save/restore register pairs are serially reusable, program state may be lost when an unordered interrupt is taken.

1.5.4 Interrupt Registers

The registers associated with interrupt handling are described in [Table 1-2](#).

Table 1-2. Interrupt Registers

Register	Description
Noncritical Interrupt Registers	
SRR0	Save/restore register 0—Stores the address of the instruction causing the exception or the address of the instruction that will execute after the rfi instruction.
SRR1	Save/restore register 1—Saves machine state on noncritical interrupts and restores machine state after an rfi instruction is executed.
Critical Interrupt Registers	

Table 1-2. Interrupt Registers (continued)

Register	Description
CSRR0	Critical save/restore register 0—On critical interrupts, stores either the address of the instruction causing the exception or the address of the instruction that executes after the rfci .
CSRR1	Critical save/restore register 1—Saves machine state on critical interrupts and restores machine state after an rfci instruction is executed.
Debug Interrupt Registers	
DSRR0	Debug save/restore register 0—Used to store the address of the instruction that will execute after an rfdi instruction is executed.
DSRR1	Debug save/restore register 1—Stores machine state on debug interrupts and restores machine state after an rfdi instruction is executed.
Syndrome Registers	
MCSR	Machine check syndrome register—Saves machine check syndrome information on machine check interrupts.
ESR	Exception syndrome register—Provides a syndrome to differentiate among the different kinds of exceptions that generate the same interrupt type. Upon generation of a specific exception type, the associated bits are set and all other bits are cleared.
SPE Interrupt Registers	
SPEFSCR	Signal processing and embedded floating-point status and control register—Provides interrupt control and status as well as various condition bits associated with the operations performed by the SPE.
Other Interrupt Registers	
DEAR	Data exception address register—Contains the address that was referenced by a load, store, or cache management instruction that caused an alignment, data TLB miss, or data storage interrupt.
IVPR IVORs	Together, IVPR[32–47] IVOR n [48–59] 0b0000 define the address of an interrupt-processing routine. See Table 1-3 and Chapter 4, “Interrupts and Exceptions,” for more information.

Each interrupt has an associated interrupt vector address, obtained by concatenating IVPR[32–47] with the address index in the associated IVOR (that is, IVPR[32–47] || IVOR n [48–59] || 0b0000). The resulting address is that of the instruction to be executed when that interrupt occurs. IVPR and IVOR values are indeterminate on reset and must be initialized by the system software using **mtspr**. [Table 1-2](#) lists IVOR registers implemented on the e200z335 core and the associated interrupts.

Table 1-3. Exceptions and Conditions

IVOR n	Interrupt Type	IVOR n	Interrupt Type
None ¹	System reset (not an interrupt)	10	Decrementer
0 ²	Critical input	11	Fixed-interval timer
1	Machine check	12	Watchdog timer
2	Data storage	13	Data TLB error
3	Instruction storage	14	Instruction TLB error
4 ²	External input	15	Debug
5	Alignment	6–31	Reserved
6	Program	32	SPE unavailable
7	Floating-point unavailable	33	SPE data exception

Table 1-3. Exceptions and Conditions (continued)

IVORn	Interrupt Type	IVORn	Interrupt Type
8	System call	34	SPE round exception
9	Unit unavailable		

¹ Vector to $[p_rstbase[0:19]] \parallel 0xFFC$.

² Autovectored external and critical input interrupts use this IVOR. Vectored interrupts supply an interrupt vector offset directly.

1.6 Microarchitecture Summary

The e200z3 processor has a four-stage pipeline for instruction execution.

1. Instruction fetch
2. Instruction decode/register file read/effective address calculation
3. Execute/memory access
4. Register writeback

These stages are pipelined, allowing single-clock instruction throughput for most instructions.

The integer execution unit consists of a 32-bit arithmetic unit, a logic unit, a 32-bit barrel shifter, a mask-insertion unit, a condition register manipulation unit, a count-leading-zeros unit, a 32×32 hardware multiplier array, result feed-forward hardware, and support hardware for division.

Most arithmetic and logical operations are executed in a single cycle with the exception of the divide instructions. A count-leading-zeros unit operates in a single clock cycle.

The instruction unit contains a program counter incremter and a dedicated branch address adder to minimize delays during change-of-flow operations. Sequential prefetching is performed to ensure a supply of instructions into the execution pipeline. Branch target prefetching is performed to accelerate taken branches. Prefetched instructions are placed into an instruction buffer capable of holding six instructions.

Conditional branches that are not taken and not folded execute in a single cycle. Branches with successful target prefetching that are not folded have an effective execution time of 1 cycle. All other taken branches have an execution time of 2 clocks.

Memory load and store operations are provided for byte, half-word, word (32-bit), and double-word data with automatic zero or sign extension of byte and half-word load data as well as optional byte reversal of data. These instructions can be pipelined to allow effective single-cycle throughput. Load and store multiple word instructions allow low-overhead context save and restore operations. The load/store unit (LSU) contains a dedicated effective address adder to optimize effective address generation.

The condition register unit supports the condition register (CR) and condition register operations defined by the architecture. The CR consists of eight 4-bit fields that reflect the results of certain operations generated by instructions such as move, integer and floating-point compare, arithmetic, and logical instructions. The CR also provides a mechanism for testing and branching.

Vectored and autovectored interrupts are supported by the CPU. Vectored interrupt support is provided to allow multiple interrupt sources to have unique interrupt handlers invoked with no software overhead.

The SPE category supports vector instructions operating on 16- and 32-bit integer and fractional data types. The vector and scalar floating-point instructions operate on 32-bit IEEE-754 single-precision floating-point formats, and support single-precision floating-point operations in a pipelined fashion.

The 64-bit GPRs are used for source and destination operands for all vector instructions, and there is a unified storage model for single-precision floating-point data types of 32 bits and the normal integer type. Low-latency integer and floating-point add, subtract, multiply, divide, compare, and conversion operations are provided, and most operations can be pipelined.

1.6.1 Instruction Unit Features

The e200z3 instruction unit implements the following:

- 64-bit fetch path that supports fetching of two 32-bit or up to four 16-bit VLE instructions per clock
- Instruction buffer that holds up to seven sequential instructions
- Dedicated PC (program counter) incrementer supporting instruction fetches
- Branch processing unit with dedicated branch address adder and branch target buffer (BTB) supporting single-cycle execution of successfully predicted branches
- Target instruction buffer that holds up to two prefetched branch target instructions

1.6.2 Integer Unit Features

The integer unit supports single-cycle execution of most integer instructions:

- 32-bit AU for arithmetic and comparison operations
- 32-bit LU for logical operations
- 32-bit priority encoder for count-leading-zeros function
- 32-bit single-cycle barrel shifter for static shifts and rotates
- 32-bit mask unit for data masking and insertion
- Divider logic for signed and unsigned divide in 6–16 clocks with minimized execution timing
- 32×32 hardware multiplier array that supports single cycle $32 \times 32 > 32$ multiply

1.6.3 Load/Store Unit (LSU) Features

The e200z3 LSU supports load, store, and load multiple/store multiple instructions:

- 32-bit effective address adder for data memory address calculations
- Pipelined operation supports throughput of one load or store operation per cycle
- Dedicated 64-bit interface to memory supports saving and restoring of up to two registers per cycle for load multiple and store multiple word instructions

1.6.4 Memory Management Unit (MMU) Features

The MMU is an implementation of the embedded.MMU category of the Power ISA, with the following feature set:

- 32-bit effective-to-real address translation
- 8-bit process identifier (PID)
- 16-entry, fully associative TLB (8-entry in the e200z335)
- Support for multiple page sizes from 4 Kbytes to 256 Mbytes (4 Kbyte to 4 Gbyte in the e200z335)
- Hardware assist for TLB miss exceptions
- Software managed by **tlbre**, **tlbwe**, **tlbsx**, **tlbsync**, and **tlbivax** instructions
- Entry flush protection
- Byte ordering (endianness) configurable on a per-page basis

1.6.5 System Bus (Core Complex Interface) Features

The features of the core complex interface are as follows:

- Independent instruction and data buses
- Advanced microcontroller bus architecture (AMBA) and advanced high-performance bus (AHB2.v6)-Lite protocol
- 32-bit address bus plus attributes and control on each bus
- Instruction interface has 64-bit read data bus
- Data interface has separate unidirectional 64-bit read data bus and 64-bit write data bus
- Pipelined, in-order accesses for both buses.

1.6.6 Nexus 32+ Module Features

The Nexus 3 (Nexus 2+ in e200z335) module provides real-time development capabilities for e200z3 and e200z335 processors in compliance with the IEEE-ISTO Nexus 5001-2003 standard. This module provides development support capabilities without requiring the use of address and data pins for internal visibility.

A portion of the pin interface (the JTAG port) is shared with the OnCE/Nexus1 unit. The IEEE-ISTO 5001-2003 standard defines an extensible auxiliary port, which is used in conjunction with the JTAG port in e200z3 and e200z335 processors.

1.7 Legacy Support of PowerPC Architecture

This section provides an overview of the architectural differences and compatibilities of the e200z3 core compared with the original PowerPC architecture. The two levels of the e200z3 core programming environment are as follows:

- User level—This defines the base user-level instruction set, registers, data types, memory conventions, and the memory and programming models seen by application programmers.

- Supervisor level—This defines supervisor-level resources typically required by an operating system, the memory management model, supervisor-level registers, and the exception model.

In general, the e200z3 core supports the user-level architecture from the original PowerPC architecture. The following sections are intended to highlight the main differences. For specific implementation details refer to the relevant chapter.

1.7.1 Instruction Set Compatibility

The following sections describe the user and supervisor instruction sets.

1.7.1.1 User Instruction Set

The e200z3 core family executes legacy user-mode binaries and object files except for the following:

- The e200z3 core supports vector and scalar single-precision floating-point operations. These instructions have different encoding than the original definition of the PowerPC architecture. Additionally, the e200z3 core uses GPRs for floating-point operations, rather than the FPRs defined by the UISA. Most porting of floating-point operations can be handled by recompiling.
- String instructions are not implemented on the e200z3 core; therefore, trap emulation must be provided to ensure backward compatibility.

1.7.1.2 Supervisor Instruction Set

The supervisor-mode instruction set in the original PowerPC architecture is compatible with the e200z3 core with the following exceptions:

- The MMU architecture is different, so some TLB manipulation instructions have different semantics.
- Instructions that support BATs and segment registers are not implemented.

1.7.2 Memory Subsystem

Both the Power ISA and the original version of the PowerPC architecture provide separate instruction and data memory resources. The e200z3 core provides optional additional cache control features, including cache locking. Note that the core implementations described in this document do not implement caches.

1.7.3 Interrupt Handling

Exception handling is generally the same as that defined in the original version of the PowerPC architecture for the e200z3 core, with the following differences:

- The Power ISA defines a new critical interrupt, providing an interrupt nesting. The critical interrupt includes critical input and watchdog timer time-out inputs.
- The debug interrupt, originally implementation-specific, is now included in the Power ISA. It defines the Return from Debug Interrupt instruction, **rfdi**, and two debug save/restore registers, DSRR0 and DSRR1.

- Processors built on the Power ISA can use IVPR and the IVORs to set exception vectors individually, but they can be set to the address offsets defined in the OEA to provide compatibility.
- Unlike the original version of the PowerPC architecture, the Power ISA does not define a reset vector; execution begins at a fixed virtual address, 0xFFFF_FFFC. The e200z3 allows this to be hard-wired to any page.
- Some Power ISA and e200z3 core-specific SPRs are different from those defined in the original PowerPC architecture, particularly those related to MMU functions. Much of this information has been moved to the new exception syndrome register (ESR).
- Timer services are generally compatible. However, the Power ISA defines a decremter auto-reload feature, and two critical-type interrupts—the fixed-interval timer and the watchdog timer interrupts—all of which are implemented in the e200z3 core.

An overview of the interrupt and exception handling capabilities of the e200z3 core can be found in [Section 1.5, “Interrupts and Exception Handling.”](#)

1.7.4 Memory Management

The e200z3 core implements a straightforward virtual address space that complies with the Power ISA MMU definition, which eliminates segment registers and block address translation resources. The Power ISA defines resources for multiple, variable page sizes that can be configured in a single implementation. TLB management is provided with new instructions and SPRs.

1.7.5 Reset

Cores built on the Power ISA do not share a common reset vector with the original PowerPC architecture. Instead, at reset, fetching begins at address 0xFFFF_FFFC. In addition to the Power ISA reset definition, the EIS and the e200z3 core define specific aspects of the MMU page translation and protection mechanisms. Unlike the original PowerPC core, as soon as instruction fetching begins, the e200z3 core is in virtual mode with a hardware-initialized TLB entry.

1.7.6 Little-Endian Mode

Unlike the original PowerPC architecture, where little-endian mode is controlled on a system basis, the Power ISA allows control of byte ordering on a memory-page basis. Additionally, the little-endian mode used in the Power ISA is true little-endian byte ordering (byte invariance).

Chapter 2

Register Model

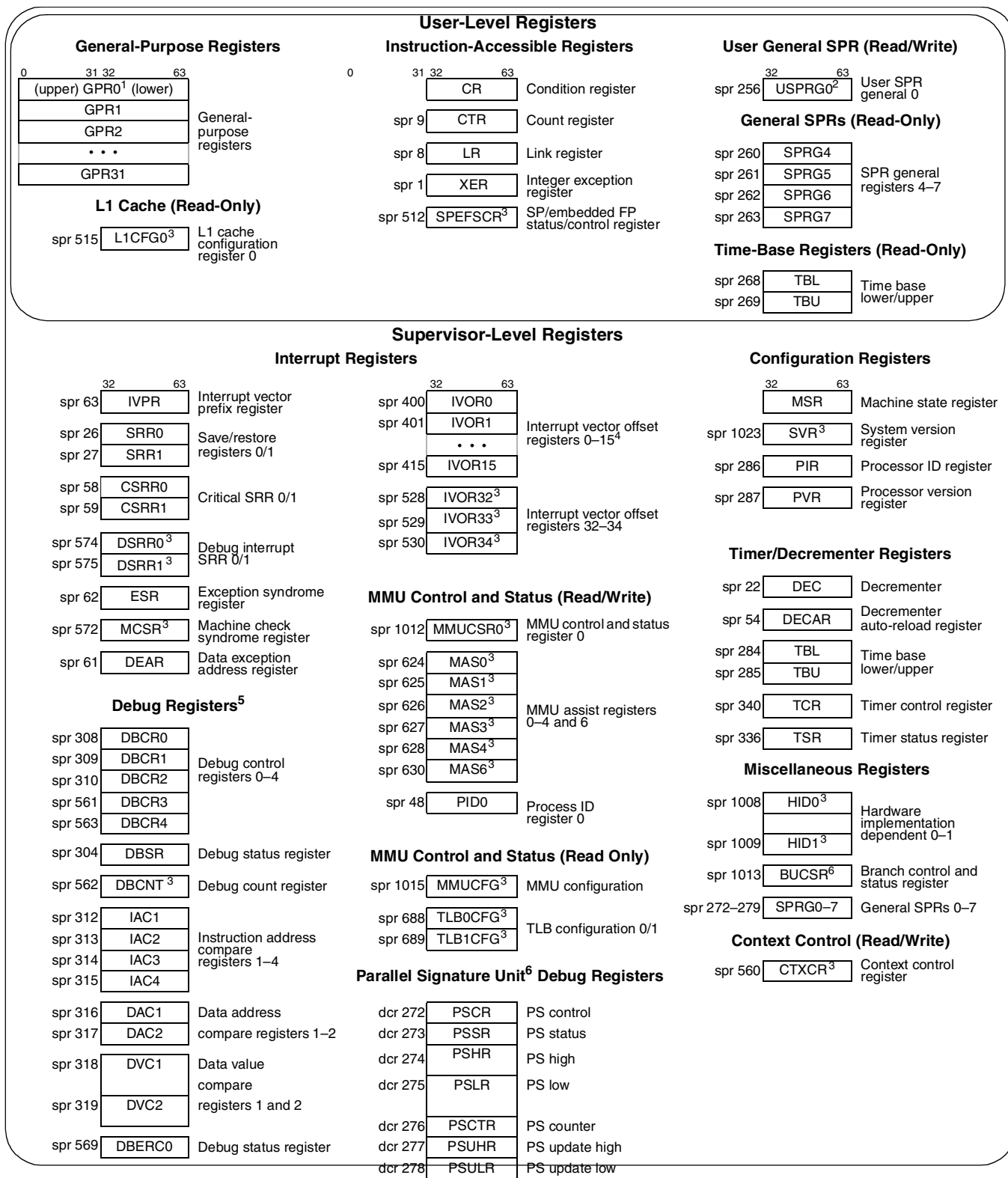
This chapter describes the registers of the e200z3 and e200z335 cores. It includes an overview of registers defined by the Book E architecture, highlighting differences in how these registers are implemented in the e200z3 core, and it describes the e200z3-specific registers in detail. Full descriptions of the architecture-defined register set are provided in the *EREF*.

The Book E architecture defines register-to-register operations for all computational instructions. Source data for these instructions is accessed from the on-chip registers or as immediate values embedded in the opcode. The three-register instruction format allows specification of a target register distinct from the two source registers, thus preserving the original data for use by other instructions. Data is transferred between memory and registers with explicit load and store instructions only.

The e200z3 extends the general-purpose registers (GPRs) to 64 bits to support SPE APU operations. PowerPC Book E instructions operate on the lower 32 bits of the GPRs only, and the upper 32 bits are unaffected by these instructions. SPE vector instructions operate on the entire 64-bit register. The SPE APU defines load and store instructions for transferring 64-bit values to/from memory.

[Figure 2-1](#) shows the complete e200z3 register set, indicating which registers are accessible in supervisor mode and which in user mode. The number to the left of the special-purpose registers (SPRs) is the decimal number used in the instruction syntax to access the register. For example, the integer exception register (XER) is SPR 1.

GPRs are accessed through instruction operands. Access to other registers can be explicit, using instructions such as Move to Special-Purpose Register (**mtspr**) and Move from Special-Purpose Register (**mfspr**), or implicit as part of the execution of an instruction. Some registers are accessed both explicitly and implicitly.



¹ The 64-bit GPR registers are accessed by the SPE as separate 32-bit registers by SPE instructions. Only SPE vector instructions can access the upper word.

² USPRG0 is a separate physical register from SPRG0.

³ EIS-specific registers; not part of the Book E architecture.

⁴ IVOR9 (handles auxiliary processor unavailable interrupt) is defined by the EIS but not supported by the e200z3.

⁵ DVC1, DVC2, DBCR4, and DBERC0 are implemented in e200z335 only.

Figure 2-1. e200z3 Programmer's Model

2.1 PowerPC Book E Registers

The e200z3 supports most of the registers defined by Book E architecture. Notable exceptions are the floating-point registers FPR0–FPR31 and the FPSCR. The e200z3 does not support the Book E floating-point architecture in hardware. The GPRs are extended to 64 bits. The Book E registers in the e200z3 are as follows:

- User-level registers, which are accessible to all software with either user or supervisor privileges:
 - General-purpose registers (GPRs). Thirty-two 64-bit GPRs (GPR0–GPR31) serve as data source or destination registers for integer instructions and provide data to generate addresses. PowerPC Book E instructions affect only the lower 32 bits of the GPRs. SPE APU instructions operate on the entire 64-bit register.
 - Condition register (CR). Eight 4-bit fields, CR0–CR7, reflect results of certain arithmetic operations and provide a mechanism for testing and branching.

The remaining user-level registers are SPRs. In the PowerPC architecture, the **mtspr** and **mfspir** instructions are for accessing SPRs.

- Integer exception register (XER). Indicates overflow and carries for integer operations.
- Link register (LR). Provides the branch target address for the branch conditional to link register (**bcdr**, **bcld**) instructions and holds the address of the instruction that follows a branch and link instruction, typically for linking to subroutines.
- Count register (CTR). Holds a loop count that can be decremented during execution of appropriately coded branch instructions. CTR also provides the branch target address for the branch conditional to count register (**bcctr**, **bcctrl**) instructions.
- The time base facility (TB) consists of two 32-bit registers, time base upper (TBU) and time base lower (TBL). User-level software can read (but not write) to these two registers.
- SPRG4–SPRG7. Software-use special-purpose registers (SPRGs). SPRG4–SPRG7 are read only by user-level software. The e200z3 does not allow user-mode access to SPRG3. Book E defines such access as implementation-dependent.
- USPRG0. User-software-use SPR USPRG0, which is read-write accessible to user-level software.
- Supervisor-level registers, which are control and status registers accessible to supervisor-level software. An operating system might use these registers for configuration, exception handling, and other operating system functions:
 - Processor control registers
 - Machine state register (MSR). Defines the state of the processor. The MSR can be modified by the move to machine state register (**mtmsr**), system call (**sc**), and return from interrupt (**rfi**, **rfdi**, **rfdi**) instructions. It can be read by the move from machine state register (**mfmsr**) instruction. When an interrupt occurs, the contents of the MSR are saved to one of the machine state save/restore registers (SRR1, CSRR1, DSRR1).
 - Processor version register (PVR). A read-only register that identifies the version (model) and revision level of the PowerPC processor.

- Processor identification register (PIR). A read-only register to distinguish the processor from other processors in the system.
- Storage control registers
 - Process ID register (PID0, also referred to as PID). Indicates the current process or task identifier. The MMU uses it as an extension to the effective address, and the external Nexus 2 module uses it for ownership trace message generation. PowerPC Book E allows multiple PIDs; the e200z3 implements only one.
- Interrupt registers
 - Data exception address register (DEAR). After most data storage interrupts (DSIs), or on an alignment interrupt or data TLB interrupt, DEAR is set to the effective address (EA) generated by the faulting instruction.
 - SPRG0–SPRG7, USPRG0. For software use. See [Section 2.10, “Software-Use SPRs \(SPRG0–SPRG7 and USPRG0\),”](#) for details on these registers. The e200z3 does not allow user-mode access to the SPRG3 register. Book E defines access to SPRG3 as implementation-dependent.
 - Exception syndrome register (ESR). A syndrome to differentiate between the different kinds of exceptions that can generate the same interrupt.
 - Interrupt vector prefix register (IVPR) and interrupt-specific interrupt vector offset registers (IVORs). Provide the address of the interrupt handler for different classes of interrupts.
 - Save/restore register 0 (SRR0). Saves machine state on a non-critical interrupt and contains the address of the instruction at which execution resumes when an **rfi** instruction executes at the end of a non-critical-class interrupt handler routine.
 - Save/restore register 1 (SRR1). Saves machine state from the MSR on non-critical interrupts and restores machine state when **rfi** executes.
 - Critical save/restore register 0 (CSRR0). Saves machine state on a critical interrupt and contains the address of the instruction at which execution resumes when an **rfci** instruction executes at the end of a critical-class interrupt handler routine.
 - Critical save/restore register 1 (CSRR1). Saves machine state from the MSR on critical interrupts and restores machine state when **rfci** executes.
- Debug facility registers
 - Debug control registers (DBCR0–DBCR2). Provide control for enabling and configuring debug events.
 - Debug status register (DBSR). Contains debug event status.
 - Instruction address compare registers (IAC1–IAC4). Contain addresses and/or masks to specify instruction address compare debug events.
 - Data address compare registers (DAC1–DAC2). Contain addresses and/or masks to specify data address compare debug events.
 - Data value compare registers (DVC1–DVC2). Contain data values to specify data value compare debug events.
- Timer registers

- Time base (TB). Maintains the time of day and operates interval timers. The TB consists of two 32-bit registers, time base upper (TBU) and time base lower (TBL). Only supervisor-level software can write to the time base registers, but both user and supervisor-level software can read them.
- Decrementer register (DEC). A 32-bit decrementing counter for causing a decrementer exception after a programmable delay.
- Decrementer auto-reload (DECAR). Supports the auto-reload feature of the decrementer.
- Timer control register (TCR). Controls the decrementer, fixed-interval timer, and watchdog timer options.
- Timer status register (TSR). Contains status on timer events and the most recent watchdog-timer-initiated processor reset.

2.2 e200z3-Specific Registers

Book E allows implementation-specific registers. Those in the e200z3 core are as follows:

- User-level registers, which are accessible to all software with either user or supervisor privileges:
 - Signal processing/embedded floating-point status and control register (SPEFSCR). Contains all integer and floating-point exception signal bits, exception summary bits, exception enable bits, and rounding control bits for compliance with the **IEEE** 754 standard.
 - L1 cache configuration register (L1CFG0). A read-only register that allows software to query the configuration of the L1 cache. For the e200z3, this register returns all zeros.
 - The EIS-defined accumulator, which is part of the SPE APU. See [Section 2.7.2, “Accumulator \(ACC\).”](#)
- Supervisor-level registers, which are defined in the e200z3 in addition to the Book E registers described in [Section 2.1, “PowerPC Book E Registers:](#)
 - Configuration registers—Hardware implementation-dependent registers 0 and 1 (HID0 and HID1). Control various processor and system functions.
 - Exception handling and control registers:
 - Machine check syndrome register (MCSR). A syndrome to differentiate between the different kinds of conditions that can generate a machine check.
 - Debug save/restore register 0 (DSRR0). When the debug APU is enabled, DSRR0 saves the address of the instruction at which execution continues when **rfdi** executes at the end of a debug interrupt handler routine.
 - Debug save/restore register 1 (DSRR1). When the debug APU is enabled, (HID0[DAPUEN] = 1), DSRR1 saves machine state from the MSR on debug interrupts and restores machine state when **rfdi** executes.
 - Debug facility registers
 - Debug control register 3 (DBCR3). Control for debug functions not described in Book E
 - Debug counter register (DBCNT). Counter capability for debug functions
 - Context control registers
 - Context control register (CTXCR). Control for register context selection.

- Branch unit control and status register (BUCSR). Controls operation of the branch target buffer (BTB).
- Cache registers. This e200z3-specific register may not be supported by other PowerPC processors.
 - L1 cache configuration register (L1CFG0). A read-only register that allows software to query the configuration of the L1 cache. This register returns all zeros for e200z3 core.
- Memory management unit (MMU) registers:
 - MMU configuration register (MMUCFG). A read-only register that allows software to query the configuration of the MMU.
 - MMU assist (MAS0–MAS4, MAS6) registers. The interface to the e200z3 core from the MMU.
 - MMU control and status register (MMUCSR0). Controls MMU invalidation.
 - TLB configuration registers (TLB0CFG and TLB1CFG). Read-only registers that allow software to query the configuration of the TLBs.
- System version register (SVR). A read-only register that identifies the version (model) and revision level of the system that includes an e200z3 processor.

NOTE

Although other processors may implement similar or identical registers, it is not guaranteed that the implementation of e200z3-core-specific registers is consistent among PowerPC processors.

All e200z3 SPR definitions comply with the Freescale Book E definitions.

2.3 e200z3-Specific Device Control Registers

In addition to the SPRs, implementations may also implement one or more device control registers (DCRs). The e200z3 core implements a set of device control registers to perform a parallel signature in the parallel signature unit (PSU). These registers may not be supported by other PowerPC processors. For details, see [Section 2.19, “Parallel Signature Unit Registers.”](#)

2.4 Processor Control Registers

This section discusses machine state, processor ID, processor version, and system version registers.

2.4.1 Machine State Register (MSR)

The MSR, shown in [Figure 2-2](#), defines the state of the processor. [Chapter 4, “Interrupts and Exceptions,”](#) describes how the MSR is affected by interrupts.

Register Model

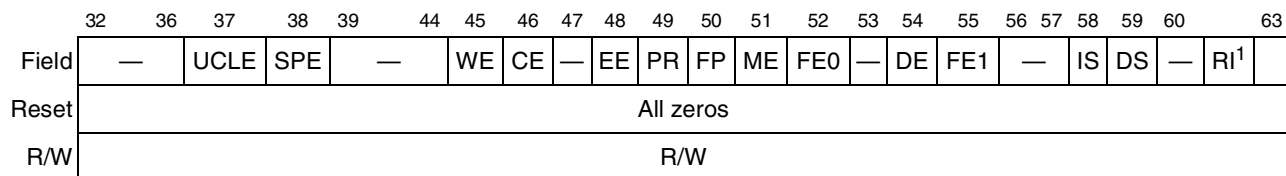


Figure 2-2. Machine State Register (MSR)

¹ RI bit in e200z335 only

MSR fields are described in [Table 2-1](#).

Table 2-1. MSR Field Descriptions

Bits	Name	Description
32–36	—	Reserved, should be cleared.
37	UCLE	User cache lock enable. 0 Execution of the cache locking instructions is disabled in user mode (MSR[PR] = 1). Instead, the data storage interrupt is taken, and ILK or DLK is set in the ESR. 1 Execution of the cache lock instructions is enabled in user mode.
38	SPE	SPE available. 0 Execution of SPE APU vector instructions is disabled. Instead, the SPE unavailable exception is taken, and ESR[SPE] is set. 1 Execution of SPE APU vector instructions is enabled.
39–44	—	Reserved, should be cleared.
45	WE	Wait state (power management) enable. Defined as optional by Book E and implemented in the e200z3. 0 Power management is disabled. 1 Power management is enabled. The processor can enter a power-saving mode when additional conditions are present. The mode chosen is determined by HID0[DOZE,NAP,SLEEP], described in Section 2.13.1 , “Hardware Implementation-Dependent Register 0 (HID0).”
46	CE	Critical interrupt enable 0 Critical input and watchdog timer interrupts are disabled. 1 Critical input and watchdog timer interrupts are enabled.
47	—	Reserved.
48	EE	External interrupt enable 0 External input, decremter, and fixed-interval timer interrupts are disabled. 1 External input, decremter, and fixed-interval timer interrupts are enabled.
49	PR	Problem state. 0 The processor is in supervisor mode, can execute any instruction, and can access any resource (for example, GPRs, all SPRs, and the MSR). 1 The processor is in user mode, cannot execute any privileged instruction, and cannot access any privileged resource.
50	FP	Floating-point available. 0 Floating-point unit is unavailable. The processor cannot execute floating-point instructions, including floating-point loads, stores, and moves. (An FP unavailable interrupt is generated on attempted execution of floating-point instructions). 1 Floating-point unit is available. The processor can execute floating-point instructions. (Note that for the e200z3, the floating-point unit is not supported; an unimplemented operation exception is generated for attempted execution of floating-point instructions when FP is set).

Table 2-1. MSR Field Descriptions (continued)

Bits	Name	Description
51	ME	Machine check enable. 0 Machine check interrupts are disabled. Checkstop mode is entered when the <i>p_mcp_b</i> input is recognized asserted or an ISI or ITLB exception occurs on a fetch of the first instruction of an exception handler. 1 Machine check interrupts are enabled.
52	FE0	Floating-point exception mode 0 (not used by the e200z3).
53	—	Reserved, should be cleared.
54	DE	Debug interrupt enable. 0 Debug interrupts are disabled. 1 Debug interrupts are enabled if DBCR0[IDM] is set.
55	FE1	Floating-point exception mode 1 (not used by the e200z3)
56–57	—	Reserved, should be cleared.
58	IS	Instruction address space. 0 The processor directs all instruction fetches to address space 0 (TS = 0 in the relevant TLB entry). 1 The processor directs all instruction fetches to address space 1 (TS = 1 in the relevant TLB entry).
59	DS	Data address space. 0 The core directs all data storage accesses to address space 0 (TS = 0 in the relevant TLB entry). 1 The core directs all data storage accesses to address space 1 (TS = 1 in the relevant TLB entry).
60–61	—	Reserved, should be cleared.
62	RI	Recoverable Interrupt (used in e200z335 only) 0 Machine Check interrupt is not recoverable. 1 Machine Check interrupt may be recoverable. This bit is cleared when a Machine check interrupt is taken, or when a critical class interrupt using CSRR0/1 is taken. It is not set by hardware, and does not affect processor operation. It is provided as a software assist.
63	—	Reserved, should be cleared.

2.4.2 Processor ID Register (PIR)

The processor ID for the CPU core is contained in the processor ID register (PIR), shown in [Figure 2-3](#). The contents of PIR reflect the hardware input signals to the e200z3 core.

	32	55 56	63
Field	—		PID
Reset	0000_0000_0000_0000_0000_0000		<i>p_cpuid</i> [0:7]
R/W	Read only		
SPR	SPR 286		

Figure 2-3. Processor ID Register (PIR)

PIR fields are described in [Table 2-2](#).

Table 2-2. PIR Field Descriptions

Bits	Name	Description
32–55	—	These bits always read as 0.
56–63	PID	These bit reflect the values on the <i>p_cpuid[0:7]</i> input signals.

2.4.3 Processor Version Register (PVR)

The processor version register (PVR), shown in [Figure 2-4](#), contains the processor version number for the CPU core.

	32	35	36	37	38	43	44	47	48	55	56	59	60	63
Field	Manufacturer ID		—		Type	Version		MBG Use			Major Rev		MBG ID	
Reset	1000		00		01_0001	0010		<i>p_pvrin[16:31]</i>						
R/W	Read only													
SPR	SPR 287													

Figure 2-4. Processor Version Register (PVR)

The PVR contains fields to specify a particular implementation of an e200z3 family member. Interface signals *p_pvrin[16:31]* provide the contents of bits 48–63.

Table 2-3. PVR Field Descriptions

Bits	Name	Description
32–35	Manufacturer ID	Manufacturer ID. Freescale is 0b1000.
36–37	—	Reserved, should be cleared.
38–43	Type	Identifies the processor type. For the e200z3, this field has a value of 0b01_0001.
44–47	Version	Identifies the version of the processor and any optional elements. For e200z3, this field has a value of 0010.
48–55	MBG Use	Distinguishes different system variants; provided by the <i>p_pvrin[16:23]</i> inputs.
56–59	Major Rev	Distinguishes different implementations of the version; provided by the <i>p_pvrin[24:27]</i> inputs.
60–63	MBG ID	Provided by the <i>p_pvrin[28:31]</i> input signals.

2.4.4 System Version Register (SVR)

The system version register (SVR) contains system version information for an e200z3-based SoC.

Field	32	Version	63
Reset	SoC-dependent value (determined by <i>p_sysvers[0:31]</i> on the e200z3 core)		
R/W	Read only		
SPR	SPR 1023		

Figure 2-5. System Version Register (SVR)

SVR specifies a particular implementation of an e200z3-based system.

Table 2-4. SVR Field Description

Bits	Name	Description
32–63	Version	Distinguishes different system variants, and is provided by the <i>p_sysvers[0:31]</i> inputs.

2.5 Registers for Integer Operations

This section describes the registers for integer operations.

2.5.1 General-Purpose Registers (GPRs)

Book E implementations provide 32 GPRs (GPR0–GPR31) for integer operations. The instruction formats provide 5-bit fields for specifying the GPRs for use in executing the instruction. Each GPR is a 64-bit register and can contain address and integer data, although all instructions except SPE APU vector instructions use and return 32-bit values in GPR bits 32–63.

2.5.2 Integer Exception Register (XER)

The XER, shown in [Figure 2-6](#), tracks exception conditions for integer operations.

Field	32	33	34	35	56	57	63
	SO	OV	CA	—	Number of bytes		
Reset	All zeros						
R/W	R/W						
SPR	SPR 1						

Figure 2-6. Integer Exception Register (XER)

XER fields are described in [Table 2-5](#).

Table 2-5. XER Field Descriptions

Bits	Name	Description
32	SO	Summary overflow. Set when an instruction (except mtspr) sets the overflow bit (OV). SO remains set until it is cleared by mtspr[XER] or mcrxr . SO is not altered by compare instructions or other instructions that cannot overflow (except mtspr[XER] and mcrxr). Executing mtspr[XER] with the values 0 for SO and 1 for OV clears SO and sets OV.
33	OV	Overflow. X-form add, subtract from, and negate instructions with OE=1 set OV if the carry out of bit 32 is not equal to the carry out of bit 33. Otherwise, they clear OV to indicate a signed overflow. X-form multiply low word and divide word instructions with OE=1 set OV if the result cannot be represented in 32 bits (mullwo , divwo , and divwuo) and clear OV otherwise. OV is not altered by compare instructions or other instructions that cannot overflow (except mtspr[XER] and mcrxr).
34	CA	Carry. Add carrying, subtract from carrying, add extended, and subtract from extended instructions set CA if there is a carry out of bit 32 and clear it otherwise. CA can be used to indicate unsigned overflow for add and subtract operations that set CA. Shift right algebraic word instructions set CA if any 1 bits are shifted out of a negative operand and clear CA otherwise. Compare instructions and instructions that cannot carry (except Shift Right Algebraic Word, mtspr[XER] , and mcrxr) do not affect CA.
35–56	—	Reserved, should be cleared.
57–63	Number of bytes	Supports emulation of load and store string instructions. Specifies the number of bytes to be transferred by a load string indexed or store string indexed instruction.

2.6 Registers for Branch Operations

This section describes registers used by Book E branch and CR operations.

2.6.1 Condition Register (CR)

CR, shown in [Figure 2-7](#), reflects the result of certain operations and provides a mechanism for testing and branching.

	32	35 36	39 40	43 44	47 48	51 52	55 56	59 60	63
Field	CR0	CR1	CR2	CR3	CR4	CR5	CR6	CR7	
Reset	Undefined on <i>m_por</i> assertion, unchanged on <i>p_reset_b</i> assertion								
R/W	R/W								

Figure 2-7. Condition Register (CR)

CR bits are grouped into eight 4-bit fields, CR0–CR7, which are set as follows:

- Specified CR fields are set by a move to the CR from a GPR (**mtrcf**).
- A specified CR field is set by a move to the CR from another CR field (**mcrf**), or from the XER (**mcrxr**).
- CR0 may be set as the implicit result of an integer instruction.
- A specified CR field may be set as the result of either an integer or a floating-point compare instruction (including SPE and SPFP compare instructions).

Instructions are provided to perform logical operations on individual CR bits and to test individual CR bits.

Note that Book E instructions that access CR bits, such as Branch Conditional (**bc**), CR logicals, and Move to Condition Register Field (**mcrf**), determine the bit position by adding 32 to the value of the operand. For example, the BI operand accesses the bit BI + 32, as shown in [Table 2-6](#).

Table 2-6. BI Operand Settings for CR Fields

CRn Bits	CR Bits	BI	Description
CR0[0]	32	00000	Negative (LT)—Set when the result is negative. For SPE compare and test instructions: Set if the high-order element of rA is equal to the high-order element of rB; cleared otherwise.
CR0[1]	33	00001	Positive (GT)—Set when the result is positive (and not zero). For SPE compare and test instructions: Set if the low-order element of rA is equal to the low-order element of rB; cleared otherwise.
CR0[2]	34	00010	Zero (EQ)—Set when the result is zero. For SPE compare and test instructions: Set to the OR of the result of the compare of the high and low elements.
CR0[3]	35	00011	Summary overflow (SO). Copy of XER[SO] at the instruction's completion. For SPE compare and test instructions: Set to the AND of the result of the compare of the high and low elements.
CR1[0]	36	00100	Negative (LT)—For SPE and SPFP compare and test instructions: Set if the high-order element of rA is equal to the high-order element of rB; cleared otherwise.
CR1[1]	37	00101	Positive (GT)—For SPE and SPFP compare and test instructions: Set if the low-order element of rA is equal to the low-order element of rB; cleared otherwise.
CR1[2]	38	00110	Zero (EQ)—For SPE and SPFP compare and test instructions: Set to the OR of the result of the compare of the high and low elements.
CR1[3]	39	00111	Summary overflow (SO)—For SPE and SPFP compare and test instructions: Set to the AND of the result of the compare of the high and low elements.
CRn[0]	40 44 48 52 56 60	01000 01100 10000 10100 11000 11100	Less than (LT) For integer compare instructions: rA < SIMM or rB (signed comparison) or rA < UIMM or rB (unsigned comparison). For SPE and SPFP compare and test instructions: Set if the high-order element of rA is equal to the high-order element of rB; cleared otherwise.
CRn[1]	41 45 49 53 57 61	01001 01101 10001 10101 11001 11101	Greater than (GT) For integer compare instructions: rA > SIMM or rB (signed comparison) or rA > UIMM or rB (unsigned comparison). For SPE and SPFP compare and test instructions: Set if the low-order element of rA is equal to the low-order element of rB; cleared otherwise.
CRn[2]	42 46 50 54 58 62	01010 01110 10010 10110 11010 11110	Equal (EQ) For integer compare instructions: rA = SIMM, UIMM, or rB. For SPE and SPFP compare and test instructions: Set to the OR of the result of the compare of the high and low elements.
CRn[3]	43 47 51 55 59 63	01011 01111 10011 10111 11011 11111	Summary overflow (SO). For integer compare instructions, this is a copy of XER[SO] at the completion of the instruction. For SPE and SPFP vector compare and test instructions: Set to the AND of the result of the compare of the high and low elements.

2.6.1.1 CR Setting for Integer Instructions

For all integer word instructions with the Rc bit defined and set, and for **addic.**, **andi.**, and **andis.**, CR0[32–34] are set by signed comparison of bits 32–63 of the result to zero; CR[35] is copied from the final state of XER[SO]. The Rc bit is not defined for double-word integer operations.

```

if      (target_register)32-63 < 0 then c ← 0b100
else if (target_register)32-63 > 0 then c ← 0b010
else   c ← 0b001
CR0 ← c || XERSO

```

The value of any undefined portion of the result is undefined, and the value placed into the first three bits of CR0 is undefined. CR0 bits are interpreted as described in [Table 2-7](#).

Table 2-7. CR0 Field Descriptions

CR Bit	Name	Description
32	Negative (LT)	Bit 32 of the result is equal to 1.
33	Positive (GT)	Bit 32 of the result is equal to 0 and at least one of bits 33–63 of the result is non-zero.
34	Zero (EQ)	Bits 32–63 of the result are equal to 0.
35	Summary overflow (SO)	This is a copy of the final state of XER[SO] at the completion of the instruction.

Note that CR0 may not reflect the true (infinitely precise) result if overflow occurs. For further details, refer to the *EREF*.

2.6.1.2 CR Setting for Store Conditional Instructions

CR0 is also set by the integer store conditional instruction, **stwcx.**. See instruction descriptions in [Chapter 3, “Instruction Model,”](#) for details on how CR0 is set.

2.6.1.3 CR Setting for Compare Instructions

For compare instructions, a CR field specified by the BI field in the instruction is set to reflect the result of the comparison, as shown in [Table 2-8](#).

A complete description of how the bits are set is given in the *EREF*.

Table 2-8. CR Setting for Compare Instructions

CR _n Bit	Bit Expression	CR Bits	BI		Description
		Book E	0–2	3–4	
CR _n [0]	4 * cr0 + lt (or lt)	32	000	00	Less than (LT). For integer compare instructions: rA < SIMM or rB (signed comparison) or rA < UIMM or rB (unsigned comparison).
	4 * cr1 + lt	36	001		
	4 * cr2 + lt	40	010		
	4 * cr3 + lt	44	011		
	4 * cr4 + lt	48	100		
	4 * cr5 + lt	52	101		
	4 * cr6 + lt	56	110		
	4 * cr7 + lt	60	111		

Table 2-8. CR Setting for Compare Instructions (continued)

CR n Bit	Bit Expression	CR Bits	BI		Description
		Book E	0–2	3–4	
CR n [1]	4 * cr0 + gt (or gt)	33	000	01	Greater than (GT). For integer compare instructions: rA > SIMM or rB (signed comparison) or rA > UIMM or rB (unsigned comparison).
	4 * cr1 + gt	37	001		
	4 * cr2 + gt	41	010		
	4 * cr3 + gt	45	011		
	4 * cr4 + gt	49	100		
	4 * cr5 + gt	53	101		
	4 * cr6 + gt	57	110		
	4 * cr7 + gt	61	111		
CR n [2]	4 * cr0 + eq (or eq)	34	000	10	Equal (EQ). For integer compare instructions: rA = SIMM, UIMM, or rB.
	4 * cr1 + eq	38	001		
	4 * cr2 + eq	42	010		
	4 * cr3 + eq	46	011		
	4 * cr4 + eq	50	100		
	4 * cr5 + eq	54	101		
	4 * cr6 + eq	58	110		
	4 * cr7 + eq	62	111		
CR n [3]	4 * cr0 + so (or so)	35	000	11	Summary overflow (SO). For integer compare instructions, this is a copy of XER[SO] at instruction completion.
	4 * cr1 + so	39	001		
	4 * cr2 + so	43	010		
	4 * cr3 + so	47	011		
	4 * cr4 + so	51	100		
	4 * cr5 + so	55	101		
	4 * cr6 + so	59	110		
	4 * cr7 + so	63	111		

2.6.2 Count Register (CTR)

CTR can be used to hold a loop count that can be decremented and tested during execution of branch instructions that contain an appropriately encoded BO field. If the CTR value is 0 before it is decremented, it is –1 afterward. The entire CTR can hold the branch target address for a Branch Conditional to CTR (**bcctr x**) instruction.

	32	63
Field	Count value	
Reset	Undefined on <i>m_por</i> assertion, unchanged on <i>p_reset_b</i> assertion	
R/W	R/W	
SPR	SPR 9	

Figure 2-8. Count Register (CTR)

2.6.3 Link Register (LR)

The link register, shown in [Figure 2-9](#), provides the branch target address for the branch conditional to LR instructions, and it holds the return address after branch and link instructions.

Field	32	Link address	63
Reset	Undefined on <i>m_por</i> assertion, unchanged on <i>p_reset_b</i> assertion		
R/W	R/W		
SPR	SPR 8		

Figure 2-9. Link Register (LR)

LR contents are read into a GPR using **mf spr**. The contents of a GPR can be written to LR using **mt spr**. LR[62–63] are ignored by **bclr** instructions.

2.7 SPE and SPFP APU Registers

The SPE and SPFP include the signal processing and embedded floating-point status and control register (SPEFSCR). The SPE implements a 64-bit accumulator that is described in [Section 2.7.2, “Accumulator \(ACC\).”](#)

2.7.1 Signal Processing/Embedded Floating-Point Status and Control Register (SPEFSCR)

SPEFSCR, shown in [Figure 2-10](#), is used for status and control of SPE and embedded floating-point instructions.

	High-Word Error Bits								Status Bits							
Field	32	33	34	35	36	37	38	39	40	41	42	43	44	45	46	47
Field	SOVH	OVH	FGH	FXH	FINVH	FDBZH	FUNFH	FOVFH	—	FINXS	FINVS	FDBZS	FUNFS	FOVFS	MODE	
Reset	0000_0000_0000_0000															
R/W	R/W															
	Enable Bits															
Field	48	49	50	51	52	53	54	55	56	57	58	59	60	61	62	63
Field	SOV	OV	FG	FX	FINV	FDBZ	FUNF	FOVF	—	FINXE	FINVE	FDBZE	FUNFE	FOVFE	FRMC	
Reset	0000_0000_0000_0000															
R/W	R/W															
SPR	SPR 512															

Figure 2-10. Signal Processing and Embedded Floating-Point Status and Control Register (SPEFSCR)

Table 2-9 describes SPEFSCR fields.

Table 2-9. SPEFSCR Field Descriptions

Bits	Name	Description
32	SOVH	Summary integer overflow high. Set whenever an instruction sets OVH and remains set until it is cleared by an mtspr specifying the SPEFSCR.
33	OVH	Integer overflow high. Set whenever an integer or fractional SPE instruction signals an overflow in the upper half of the result.
34	FGH	Embedded floating-point guard bit high. For use by the floating-point round exception handler. It is cleared by a floating-point data exception for the high elements. FGH corresponds to the high element result. FGH is cleared by a scalar floating-point instruction.
35	FXH	Embedded floating-point sticky bit high. Supplied for use by the floating-point round exception handler. Zeroed if a floating-point data exception occurred for the high elements. FXH corresponds to the high element result. FXH is cleared by a scalar floating point instruction.
36	FINVH	Embedded floating-point invalid operation/input error high. In mode 0, set if the A or B high element operand of a floating-point instruction is Infinity, NaN, or Denorm, or if the operation is a divide and the high element dividend and divisor are both 0. In mode 1, FINVH is set on an IEEE754 invalid operation (IEEE754-1985 sec7.1) in the high element. Cleared by a scalar floating-point instruction.
37	FDBZH	Embedded floating-point divide by zero high. Set when a floating-point divide instruction executes with a high element divisor of 0 and the high element dividend is a finite non-zero number. Cleared by a scalar floating-point instruction.
38	FUNFH	Embedded floating-point underflow high. Set when the execution of a floating-point instruction results in an underflow in the high element. FUNFH is cleared by a scalar floating-point instruction.
39	FOVFH	Embedded floating-point overflow high. Set when the execution of a floating-point instruction results in an overflow in the high element. Cleared by a scalar floating point instruction.
40–41	—	Reserved, should be cleared.
42	FINXS	Embedded floating-point inexact sticky flag. Set under one of the following conditions: <ul style="list-style-type: none"> The execution of a floating-point instruction delivers an inexact result for either the low or high element and no floating-point data exception is taken for either element A floating-point instruction causes overflow (FOVF=1 or FOVFH=1), but floating-point overflow exceptions are disabled (FOVFE=0) A floating-point instruction results in underflow (FUNF=1 or FUNFH=1), but floating-point underflow exceptions are disabled (FUNFE=0) and no floating-point data exception occurs. FINXS remains set until it is cleared by an mtspr specifying SPEFSCR.
43	FINVS	Embedded floating-point invalid operation sticky flag. Set when a floating-point instruction sets FINVH or FINV. FINVS remains set until it is cleared by an mtspr instruction specifying SPEFSCR.
44	FDBZS	Embedded floating-point divide by zero sticky flag. Set when a floating-point divide instruction sets FDBZH or FDBZ. FDBZS remains set until it is cleared by an mtspr specifying SPEFSCR.
45	FUNFS	Embedded floating-point underflow sticky flag. Set when a floating-point instruction sets FUNFH or FUNF. FUNFS remains set until it is cleared by an mtspr specifying SPEFSCR.
46	FOVFS	Embedded floating-point overflow sticky flag. Set when a floating-point instruction sets FOVFH or FOVF. FOVFS remains set until it is cleared by an mtspr specifying SPEFSCR.

Table 2-9. SPEFSCR Field Descriptions (continued)

Bits	Name	Description
47	MODE	Embedded floating-point operating mode. 0 Default hardware results operating mode. The e200z3 supports only mode 0. 1 IEEE754 hardware results operating mode (not supported by the e200z3). Controls the operating mode of the embedded floating-point APU. Software should read the value of this bit after writing it to determine whether the implementation supports the selected mode. Implementations return the value written if the selected mode is supported. Otherwise, the value read indicates the hardware-supported mode.
48	SOV	Summary integer overflow. Set when an instruction sets OV. SOV remains set until it is cleared by an mtspr specifying SPEFSCR.
49	OV	Integer overflow. Set whenever an integer or fractional SPE instruction signals an overflow in the low element result.
50	FG	Embedded floating-point guard bit. Used by the floating-point round exception handler. Cleared if a floating-point data exception occurs for the low elements. Corresponds to the low element result.
51	FX	Embedded floating-point sticky bit. For use by the floating-point round exception handler. FX is cleared if a floating-point data exception occurs for the low elements. FX corresponds to the low element result.
52	FINV	Embedded floating-point invalid operation/input error. In mode 0, FINV is set if the A or B low element operand of a floating-point instruction is Infinity, NaN, or Denorm, or if the operation is a divide and the low element dividend and divisor are both 0. In mode 1, FINV is set on an IEEE754 invalid operation (IEEE754-1985 sec7.1) in the low element.
53	FDBZ	Embedded floating-point divide by zero. Set when a floating-point divide instruction executes with a low element divisor of 0 and the low element dividend is a finite non-zero number.
54	FUNF	Embedded floating-point underflow. Set when the execution of a floating-point instruction results in an underflow in the low element.
55	FOVF	Embedded floating-point overflow. Set when the execution of a floating-point instruction results in an overflow in the low element.
56	—	Reserved, should be cleared.
57	FINXE	Embedded floating-point inexact exception enable. If the exception is enabled, a floating-point round exception is taken under one of the following conditions: <ul style="list-style-type: none"> For both elements, the result of a floating-point instruction does not result in overflow or underflow, and the result for either element is inexact (FG FX = 1). FGH FXH = 1) The result of a floating-point instruction does result in overflow (FOVF=1 or FOVFH=1) for either element, but floating-point overflow exceptions are disabled (FOVFE=0) The result of a floating-point instruction results in underflow (FUNF=1 or FUNFH=1), but floating-point underflow exceptions are disabled (FUNFE=0), and no floating-point data exception occurs. 0 Exception disabled. 1 Exception enabled.
58	FINVE	Embedded floating-point invalid operation/input error exception enable. 0 Exception disabled. 1 Exception enabled. A floating-point data exception is taken if FINV or FINVH is set by a floating-point instruction.
59	FDBZE	Embedded floating-point divide by zero exception enable. 0 Exception disabled. 1 Exception enabled. A floating-point data exception is taken if FDBZ or FDBZH is set by a floating-point instruction.

Table 2-9. SPEFSCR Field Descriptions (continued)

Bits	Name	Description
60	FUNFE	Embedded floating-point underflow exception enable. 0 Exception disabled. 1 Exception enabled. A floating-point data exception is taken if FUNF or FUNFH is set by a floating-point instruction.
61	FOVFE	Embedded floating-point overflow exception enable. 0 Exception disabled. 1 Exception enabled. If the exception is enabled, a floating-point data exception is taken if FOVF or FOV FH is set by a floating-point instruction.
62–63	FRMC	Embedded floating-point rounding mode control. 00 Round to nearest. 01 Round toward zero. 10 Round toward +infinity. 11 Round toward -infinity.

2.7.2 Accumulator (ACC)

The 64-bit architectural accumulator register holds the results of the multiply accumulate (MAC) forms of SPE integer instructions. The accumulator allows back-to-back execution of dependent MAC instructions, as in the inner loops of DSP code such as finite impulse response (FIR) filters. The accumulator is partially visible to the programmer in that its results do not have to be explicitly read to use them. Instead, they are always copied into a 64-bit destination GPR specified as part of the instruction. However, the accumulator must be explicitly initialized when a new MAC loop starts. Based upon the type of instruction, an accumulator can hold either a single 64-bit value or a vector of two 32-bit elements.

The Initialize Accumulator instruction (**evmra**) initializes the accumulator. This instruction is described in the *EREF*.

2.8 Interrupt Registers

This section describes the registers for interrupt handling.

2.8.1 Interrupt Registers Defined by Book E

This section describes the following registers and their fields:

- [Section 2.8.1.1, “Save/Restore Register 0 \(SRR0\)”](#)
- [Section 2.8.1.2, “Save/Restore Register 1 \(SRR1\)”](#)
- [Section 2.8.1.3, “Critical Save/Restore Register 0 \(CSRR0\)”](#)
- [Section 2.8.1.4, “Critical Save/Restore Register 1 \(CSRR1\)”](#)
- [Section 2.8.1.5, “Data Exception Address Register \(DEAR\)”](#)
- [Section 2.8.1.6, “Interrupt Vector Prefix Register \(IVPR\)”](#)
- [Section 2.8.1.7, “Interrupt Vector Offset Registers \(IVORs\)”](#)
- [Section 2.9, “Exception Syndrome Register \(ESR\)”](#)

2.8.1.1 Save/Restore Register 0 (SRR0)

During a non-critical interrupt, SRR0, shown in [Figure 2-11](#), holds the address of the instruction where the interrupted process should resume. The instruction is interrupt-specific, although for instruction-caused exceptions, the address of the instruction typically causes the interrupt. When **rfi** executes, instruction execution continues at the address in SRR0. SRR0 and SRR1 are not affected by **rfdi** or **rfdi**.

	32	63
Field	Next instruction address	
Reset	Undefined on <i>m_por</i> assertion, unchanged on <i>p_reset_b</i> assertion	
R/W	R/W	
SPR	SPR 26	

Figure 2-11. Save/Restore Register 0 (SRR0)

2.8.1.2 Save/Restore Register 1 (SRR1)

SRR1, shown in [Figure 2-12](#), is used to save and restore machine state during non-critical interrupts. When a non-critical interrupt is taken, MSR contents are placed into SRR1. When **rfi** executes, the contents of SRR1 are restored into MSR. SRR1 bits that correspond to reserved MSR bits are also reserved. (See [Section 2.4.1, “Machine State Register \(MSR\)”](#).) SRR0 and SRR1 are not affected by **rfdi** or **rfdi**. Reserved MSR bits can be altered by **rfi**, **rfdi**, or **rfdi**.

	32	63
Field	MSR state information	
Reset	Undefined on <i>m_por</i> assertion, unchanged on <i>p_reset_b</i> assertion	
R/W	R/W	
SPR	SPR 27	

Figure 2-12. Save/Restore Register 1 (SRR1)

2.8.1.3 Critical Save/Restore Register 0 (CSRR0)

CSRR0 is used to save and restore machine state during critical interrupts in the same way SRR0 is used for non-critical interrupts: to hold the address of the instruction to which control is passed at the end of the interrupt handler. CSRR0, shown in [Figure 2-13](#), holds the address of the instruction where the interrupted process should resume. The instruction is interrupt-specific; for details, see [Chapter 4, “Interrupts and Exceptions.”](#) When **rfdi** executes, instruction execution continues at the address in CSRR0. CSRR0 and CSRR1 are not affected by **rfdi** or **rfdi**.

	32	63
Field	Next instruction address	
Reset	Undefined on <i>m_por</i> assertion, unchanged on <i>p_reset_b</i> assertion	
R/W	R/W	
SPR	SPR 58	

Figure 2-13. Critical Save/Restore Register 0 (CSRR0)

2.8.1.4 Critical Save/Restore Register 1 (CSRR1)

CSRR1, shown in [Figure 2-14](#), is used to save and restore machine state during critical interrupts. MSR contents are placed into CSRR1. When **rfdi** executes, the contents of CSRR1 are restored into MSR. CSRR1 bits that correspond to reserved MSR bits are also reserved. (See [Section 2.4.1, “Machine State Register \(MSR\).”](#)) CSRR0 and CSRR1 are not affected by **rfi** or **rfdi**. Reserved MSR bits can be altered by **rfi**, **rfdi**, or **rfdi**.

	32	63
Field	MSR state information	
Reset	Undefined on <i>m_por</i> assertion, unchanged on <i>p_reset_b</i> assertion	
R/W	R/W	
SPR	SPR 59	

Figure 2-14. Critical Save/Restore Register 1 (CSRR1)

2.8.1.5 Data Exception Address Register (DEAR)

DEAR, shown in [Figure 2-15](#), is loaded with the effective address of a data access (caused by a load, store, or cache management instruction) that results in an alignment, data TLB miss, or data storage interrupt.

	32	63
Field	Exception address	
Reset	Undefined on <i>m_por</i> assertion, unchanged on <i>p_reset_b</i> assertion	
R/W	R/W	
SPR	SPR 61	

Figure 2-15. Data Exception Address Register (DEAR)

2.8.1.6 Interrupt Vector Prefix Register (IVPR)

The IVPR, shown in [Figure 2-16](#), is used during interrupt processing to determine the starting address for the software interrupt handler. The value contained in the vector offset field of the IVOR selected for a particular interrupt type is concatenated with the value in the IVPR to form an instruction address from which execution is to begin.

Field	32	47	48	63
	Vector Base		—	
Reset	Undefined on <i>m_por</i> assertion, unchanged on <i>p_reset_b</i> assertion			
R/W	R/W			
SPR	SPR 63			

Figure 2-16. Interrupt Vector Prefix Register (IVPR)

IVPR fields are defined in [Table 2-10](#).

Table 2-10. IVPR Field Descriptions

Bits	Name	Description
32–47	Vector Base	Defines the base location of the vector table, aligned to a 64-Kbyte boundary. Provides the high-order 16 bits of the location of all interrupt handlers. IVPR IVOR n values are concatenated to form the address of the handler in memory.
48–63	—	Reserved, should be cleared.

2.8.1.7 Interrupt Vector Offset Registers (IVORs)

IVORs, shown in [Figure 2-17](#), hold the quad-word index from the base address provided by the IVPR for each interrupt type.

Field	32	47	48	59	60	61	63
	—		Vector offset		—	CS	
Reset	Undefined on <i>m_por</i> assertion, unchanged on <i>p_reset_b</i> assertion						
R/W	R/W						
SPR	(See Table 2-12 .)						

Figure 2-17. Interrupt Vector Offset Registers (IVOR)

The IVOR fields are defined in [Table 2-11](#).

Table 2-11. IVOR Field Descriptions

Bits	Name	Setting Description
32–47	—	Reserved, should be cleared.
48–59	Vector offset	Provides a quad-word index from the base address provided by the IVPR to locate an interrupt handler.
60	—	Reserved, should be cleared.
61–63	CS	Context selector (e200z3-specific). When multiple hardware contexts are supported, this field is used to select an operating context for the interrupt handler. This value is loaded into the CURCTX field of the context control register (CTXCR) as part of the interrupt vectoring process. When multiple hardware contexts are not supported, CS is not implemented and is read as zero.

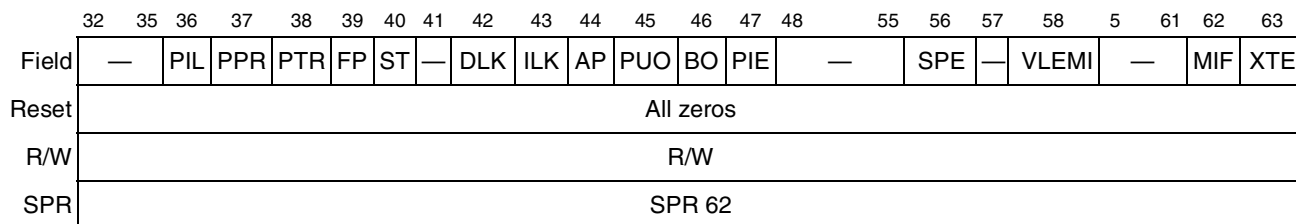
SPR numbers corresponding to IVOR16–IVOR31 are reserved. IVOR32–IVOR47 and IVOR60–IVOR63 are reserved. SPR numbers for IVOR32–IVOR63 are allocated for implementation-dependent use (IVOR32–IVOR34 (SPR 528–530) are defined by the EIS). IVOR assignments are shown in [Table 2-12](#).

Table 2-12. IVOR Assignments

IVOR Number	SPR	Interrupt Type
IVOR0	400	Critical input
IVOR1	401	Machine check
IVOR2	402	Data storage
IVOR3	403	Instruction storage
IVOR4	404	External input
IVOR5	405	Alignment
IVOR6	406	Program
IVOR7	407	Floating-point unavailable
IVOR8	408	System call
IVOR9	409	Auxiliary processor unavailable. (Defined by the EIS but not supported in the e200z3.)
IVOR10	410	Decrementer
IVOR11	411	Fixed-interval timer interrupt
IVOR12	412	Watchdog timer interrupt
IVOR13	413	Data TLB error
IVOR14	414	Instruction TLB error
IVOR15	415	Debug
IVOR16–IVOR31	—	Reserved for future architectural use
IVOR32	528	SPE APU unavailable (EIS–defined)
IVOR33	529	SPE floating-point data exception (EIS–defined)
IVOR34	530	SPE floating-point round exception (EIS–defined)
IVOR35–IVOR63	—	Allocated for implementation-dependent use

2.9 Exception Syndrome Register (ESR)

The ESR, shown in [Figure 2-18](#), provides a syndrome to distinguish exceptions that can generate the same interrupt type. The e200z3 adds implementation-specific bits to this register.


Figure 2-18. Exception Syndrome Register (ESR)
NOTE

ESR information is incomplete, so system software may need to identify the type of instruction that caused the interrupt and examine the TLB entry and the ESR to identify the exception or exceptions fully. For example, a data storage interrupt can be caused by both a protection violation exception and a byte-ordering exception. System software must check beyond ESR[BO], such as the state of MSR[PR] in SRR1 and the TLB entry page protection bits, to determine whether a protection violation also occurred.

The ESR fields are described in [Table 2-13](#).

Table 2-13. ESR Field Descriptions

Bits	Name	Description	Associated Interrupt Type
32–35	—	Reserved, should be cleared.	—
36	PIL	Illegal instruction exception	Program
37	PPR	Privileged instruction exception	Program
38	PTR	Trap exception	Program
39	FP	Floating-point operation	Alignment, data storage, data TLB, program
40	ST	Store operation	Alignment, data storage, data TLB
41	—	Reserved, should be cleared.	—
42	DLK	Data cache locking ¹	Data storage
43	ILK	Instruction cache locking	Data storage
44	AP	Auxiliary processor operation. (unused in the e200z3)	Alignment, data storage, data TLB, program
45	PUO	Unimplemented operation exception	Program
46	BO	Byte ordering exception	Data storage
47	PIE	Program imprecise exception. Unused in the e200z3 (Reserved, should be cleared.)	—
48–55	—	Reserved, should be cleared.	—
56	SPE	SPE APU operation	SPE unavailable, SPE floating-point data exception, SPE floating-point round exception, alignment, data storage, data TLB
57	—	Reserved, should be cleared.	—

Table 2-13. ESR Field Descriptions (continued)

Bits	Name	Description	Associated Interrupt Type
58	VLEMI	VLE mode instruction	SPE unavailable, SPE floating-point data exception, SPE floating-point round exception, data storage, data TLB, instruction storage, alignment, program, and system call
59–61	—	Reserved, should be cleared.	—
62	MIF	Misaligned instruction fetch	Instruction storage, instruction TLB
63	XTE	External termination error (precise)	Data storage, instruction storage

¹ When optional cache is present. Unused on e200z3.

2.9.1 VLE Mode Instruction Syndrome

ESR[VLEMI] indicates when an interrupt is caused by a VLE instruction. This syndrome bit is set on an exception associated with execution or attempted execution of a VLE instruction. This bit is updated for the interrupt types in [Table 2-13](#).

2.9.2 Misaligned Instruction Fetch Syndrome

The ESR[MIF] bit indicates an Instruction Storage Interrupt caused by an attempt to fetch an instruction from a Book E page that is not aligned on a word boundary. The fetch may have been caused by one of the following:

- Execution of a Branch to LR instruction with LR[62]=1
- A Branch to CTR instruction with CTR[62]=1
- Execution of an **rfi** or **se_rfi** instruction with SRR0[62]=1
- Execution of an **rfdi** or **se_rfdi** instruction with CSRR0[62]=1
- Execution of an **rfdi** or **se_rfdi** instruction with DSRR0[62]=1, where the destination address corresponds to an instruction page not marked as a VLE page.

The ESR[MIF] bit also indicates an Instruction TLB Interrupt caused by a TLB miss on the second half of a misaligned 32-bit VLE Instruction. SRR0 points to the first half of the instruction, which resides on the previous page from the miss at page offset 0xFFE. The ITLB handler may need to note that the miss corresponds to the next page, although MMU MAS2 contents correctly reflect the page corresponding to the miss.

2.9.3 Precise External Termination Error Syndrome

The ESR[XTE] bit indicates a precise external termination error DSI or ISI interrupt caused by an instruction. This syndrome bit is set on an external termination error exception reported in a precise way via a DSI or ISI as opposed to a machine check.

2.9.4 e200z3-Specific Interrupt Registers

In addition to the Book E-defined interrupt registers, the e200z3 implements DSRR0 and DSRR1 to facilitate handling debug interrupts and the EIS-defined MCSR to facilitate handling machine check interrupts.

2.9.4.1 Debug Save/Restore Register 0 (DSRR0)

During a debug interrupt, DSRR0, shown in [Figure 2-19](#), holds the address of the instruction where the interrupted process should resume. The instruction is interrupt-specific; see [Section 4.6.16, “Debug Interrupt \(IVOR15\),”](#) and particularly [Table 4-25](#). When **rfdi** executes, instruction execution continues at the address in DSRR0. DSRR0 and DSRR1 are not affected by **rfi** or **rfci**.

	32	63
Field	Next instruction address	
Reset	Undefined on <i>m_por</i> assertion, unchanged on <i>p_reset_b</i> assertion	
R/W	R/W	
SPR	SPR 574	

Figure 2-19. Debug Save/Restore Register 0 (DSRR0)

2.9.4.2 Debug Save/Restore Register 1 (DSRR1)

DSRR1, shown in [Figure 2-20](#), saves and restores machine state during debug interrupts. MSR contents are placed into DSRR1. When **rfdi** executes, the contents of DSRR1 are restored into MSR. DSRR1 bits that correspond to reserved MSR bits are also reserved. (See [Section 2.4.1, “Machine State Register \(MSR\).”](#)) DSRR0 and DSRR1 are not affected by **rfi** or **rfci**. Reserved MSR bits can be altered by **rfi**, **rfci**, or **rfdi**.

	32	63
Field	MSR state information	
Reset	Undefined on <i>m_por</i> assertion, unchanged on <i>p_reset_b</i> assertion	
R/W	R/W	
SPR	SPR 575	

Figure 2-20. Debug Save/Restore Register 1 (DSRR1)

2.9.4.3 Machine Check Syndrome Register (MCSR)

When the core complex takes a machine check interrupt, it updates the machine check syndrome register (MCSR) to differentiate between machine check conditions. The MCSR is shown in [Figure 2-21](#).

	32	33	34	35	36	37	42	43	44	58	59	60	61	62	63
Field	MCP	—	CP_PERR	CPERR	EXCP_ERR	—	NMI ¹				BUS_IRERR	BUS_DRERR	BUS_WRERR	—	
Reset	All zeros														
R/W	R/W														
SPR	SPR 572														

Figure 2-21. Machine Check Syndrome Register (MCSR)

¹ NMI bit in e200z335 only

MCSR fields, described in [Table 2-14](#), indicate whether the source of a machine check condition is recoverable. When an MCSR bit is set, the core complex asserts *p_mcp_out* for system information.

Table 2-14. MCSR Field Descriptions

Bits	Name	Description	Recoverable
32	MCP	Machine check input signal	Maybe
33	—	Reserved, should be cleared.	—
34	CP_PERR	Cache push parity error	Unlikely
35	CPERR	Cache parity error	Precise
36	EXCP_ERR	ISI, ITLB, or bus error on first instruction fetch for an exception handler	Precise
37–42	—	Reserved, should be cleared.	—
43	NMI	Non-maskable interrupt input signal (e200z335 only)	Maybe
44–58	—	Reserved, should be cleared.	—
59	BUS_IRERR	Read bus error on Instruction fetch	Unlikely
60	BUS_DRERR	Read bus error on data load	Unlikely
44–60	—	Reserved, should be cleared.	—
61	BUS_WRERR	Write bus error on buffered store or cache line push	Unlikely
62–63	—	Reserved, should be cleared.	—

2.10 Software-Use SPRs (SPRG0–SPRG7 and USPRG0)

Software-use SPRs (SPRG0–SPRG7 and USPRG0, shown in [Figure 2-22](#)) have no defined functionality:

- SPRG0–SPRG2—Accessible only in supervisor mode.
- SPRG3—Written only in supervisor mode. It is readable in supervisor mode, but whether it can be read in user mode depends on the implementation. It is not readable in user mode on the e200z3.
- SPRG4–SPRG7—Written only in supervisor mode. They are readable in supervisor or user mode.
- USPRG0—Accessible in supervisor or user mode.

32					63
Field	Software-determined information				
Reset	Undefined on <i>m_por</i> assertion, unchanged on <i>p_reset_b</i> assertion				
SPR R/W	SPRG0	272	Read/Write	Supervisor	
	SPRG1	273	Read/Write	Supervisor	
	SPRG2	274	Read/Write	Supervisor	
	SPRG3	259	Read only	User ¹ /Supervisor	
		275	Read/Write	Supervisor	
	SPRG4	260	Read only	User/Supervisor	
		276	Read/Write	Supervisor	
	SPRG5	261	Read only	User/Supervisor	
		277	Read/Write	Supervisor	
	SPRG6	262	Read only	User/Supervisor	
		278	Read/Write	Supervisor	
	SPRG7	263	Read only	User/Supervisor	
		279	Read/Write	Supervisor	
	USPRG0	256	Read/Write	User/Supervisor	

Figure 2-22. Software-Use SPRs (SPRG0–SPRG7 and USPRG0)

¹ User-mode access to SPRG3 is defined by Book E as implementation-dependent. It is not supported in the e200z3.

Software-use SPRs are read into a GPR using **mf spr** and are written using **mt spr**.

2.11 Timer Registers

The time base (TB), decremter (DEC), fixed-interval timer (FIT), and watchdog timer provide timing functions for the system. The relationship of these timers to each other is shown in [Figure 2-23](#).

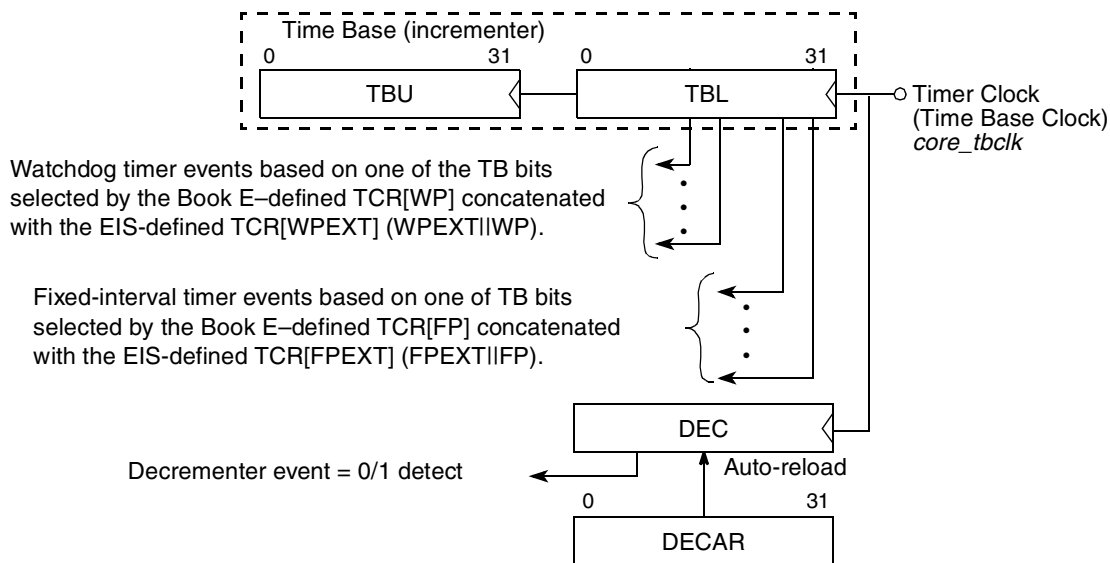


Figure 2-23. Relationship of Timer Facilities to the Time Base

- The TB is a long-period counter driven at an implementation-dependent frequency.
- The decremter, updated at the same rate as the TB, signals an exception after a specified period unless one of the following occurs:
 - Software alters DEC in the interim.
 - The TB update frequency changes.
 The DEC is typically used as a general-purpose software timer.
- The time base for the TB and DEC is selected by the time base enable (TBEN) and select time base clock (SEL_TBCLK) bits in HID0, as follows:
 - If HID0[TBEN] = 1 and HID0[SEL_TBCLK] = 0, the time base and decremter are based on processor clock.
 - If HID0[TBEN] = 1 and HID0[SEL_TBCLK] = 1, the time base and decremter are based on the *p_tclk* input.
- Software can select one from of four TB bits to signal a fixed-interval interrupt when the bit transitions from 0 to 1. It typically triggers periodic system maintenance functions. Bits that can be selected are implementation-dependent.
- The watchdog timer, also a selected TB bit, signals a critical exception when the selected bit transitions from 0 to 1. It is typically used for system error recovery. If software does not respond in time to the initial interrupt by clearing the associated status bits in the TSR before the next expiration of the watchdog timer interval, a watchdog timer-generated processor reset may result, if so enabled.

All timer facilities must be initialized during start-up.

2.11.1 Timer Control Register (TCR)

TCR, shown in [Figure 2-24](#), provides control information for the CPU timer facilities. The *EREF* describes the TCR in detail. TCR[WRC] functions are implementation-dependent. In addition, the core implements two implementation-specific fields, TCR[WPEXT] and TCR[FPEXT].

	32	33	34	35	36	37	38	39	40	41	42	43	46	47	50	51	63
Field	WP	WRC	WIE	DIE	FP	FIE	ARE	—	WPEXT	FPEXT	—						
Reset	All zeros																
R/W	R/W																
SPR	SPR 340																

Figure 2-24. Timer Control Register (TCR)

The TCR fields are described in [Table 2-15](#).

Table 2-15. TCR Field Descriptions

Bits	Name	Description
32–33	WP	Watchdog timer period, When concatenated with WPEXT, specifies one of 64 bit locations of the time base used to signal a watchdog timer exception on a transition from 0 to 1. TCR[WPEXT] TCR[WP] == 000000 selects TBU[32] (msb of TBU). TCR[WPEXT] TCR[WP] == 111111 selects TBL[63] (lsb of TBL).
34–35	WRC	Watchdog timer reset control. Software can set WRC but cannot clear it except by a software-induced reset. After WRC is written to a non-zero value, software can no longer alter it. 00 No watchdog timer reset can occur. 01 Force processor checkstop on second time-out of the watchdog timer. 10 Assert processor reset output (<i>p_resetout_b</i>) on second time-out of watchdog timer. 11 Reserved.
36	WIE	Watchdog timer interrupt enable. 0 Watchdog timer interrupts disabled. 1 Watchdog timer interrupts enabled.
37	DIE	Decrementer interrupt enable. 0 Decrementer interrupts disabled. 1 Decrementer interrupts enabled.
38–39	FP	Fixed-interval timer period. When concatenated with FPEXT, specifies one of 64 bit locations of the time base to signal a fixed-interval timer exception on a transition from 0 to 1. TCR[FPEXT] TCR[FP] == 000000 selects TBU[32] (msb of TBU). TCR[FPEXT] TCR[FP] == 111111 selects TBL[63] (lsb of TBL).
40	FIE	Fixed-interval interrupt enable. 0 Fixed-interval interrupts disabled. 1 Fixed-interval interrupts enabled.
41	ARE	Auto-reload enable. Controls whether the value in DECAR is reloaded into DEC when the DEC value reaches 0000_0001. 0 Auto-reload disabled. 1 Auto-reload enabled.
42	—	Reserved, should be cleared.
43–46	WPEXT	Watchdog timer period extension (see above description for WP). WPEXT WP select one of the 64 TB bits used to signal a watchdog timer exception.
47–50	FPEXT	Fixed-interval timer period extension (see description for FP). FPEXT FP select one of the 64 TB bits used to signal a fixed-interval timer exception.
51–63	—	Reserved, should be cleared.

2.11.2 Timer Status Register (TSR)

TSR, shown in [Figure 2-25](#), provides status information for the CPU timer facilities. *EREF* describes the TSR in detail. TSR[WRS] is defined as implementation-dependent.

NOTE

Register fields designated as write-1-to-clear are cleared only by writing ones to them. Writing zeros to them has no effect.

	32	33	34	35	36	37	38	63
Field	ENW	WIS	WRS	DIS	FIS	—		
Reset	0b(00 WRS)_0000_0000_0000_0000_0000_0000							
R/W	Read/Clear							
SPR	SPR 336							

Figure 2-25. Timer Status Register (TSR)

The TSR fields are described in [Table 2-16](#).

Table 2-16. Timer Status Register Field Descriptions

Bits	Name	Description
32	ENW	Enable next watchdog time. When a watchdog timer time-out occurs while WIS = 0 and the next watchdog time-out is enabled (ENW = 1), a watchdog timer exception is generated and logged by setting WIS. This is a watchdog timer first time out. A watchdog timer interrupt occurs if enabled by TCR[WIE] and MSR[CE]. To avoid another watchdog timer interrupt when MSR[CE] is reenabled (assuming TCR[WIE] is not cleared instead), the interrupt handler must reset TSR[WIS] by executing an mtspr , setting WIS and any other bits to be cleared and a 0 in all other bits. The data written to the TSR is not direct data, but is a mask. A 1 causes the bit to be cleared; a 0 has no effect. 0 Action on next watchdog timer time-out is to set TSR[ENW]. 1 Action on next watchdog timer time-out is governed by TSR[WIS].
33	WIS	Watchdog timer interrupt status. See the ENW description for details on how WIS is used. 0 No watchdog timer event. 1 A watchdog timer event. When MSR[CE] = 1 and TCR[WIE] = 1, a watchdog timer interrupt is taken.
34–35	WRS	Watchdog timer reset status. 00 No second time-out of watchdog timer. 01 Force processor checkstop on second time-out of watchdog timer. 10 Assert processor reset output (<i>p_resetout_b</i>) on second time-out of watchdog timer. 11 Reserved.
36	DIS	Decrementer interrupt status. 0 No decrementer event. 1 Decrementer event. When MSR[EE] = TCR[DIE] = 1, a decrementer interrupt is taken.
37	FIS	Fixed-interval timer interrupt status. 0 No fixed-interval timer event. 1 Fixed-interval timer event. When MSR[EE] = 1 and TCR[FIE] = 1, a fixed-interval timer interrupt is taken.
38–63	—	Reserved, should be cleared.

NOTE

The TSR can be read using **mfspir rD,TSR**. The TSR cannot be directly written. Instead, TSR bits corresponding to 1 bits in GPR(**rS**) can be cleared using **mtspr TSR,rS**.

2.11.3 Time Base (TBU and TBL)

The time base (TB), seen in [Figure 2-26](#), is composed of two 32-bit registers, the time base upper (TBU) concatenated on the right with the time base lower (TBL). The time base registers provide timing functions

for the system and are enabled by setting `HID0[TBEN]`. The decremter (DEC) updates at the same frequency, which is selected in `HID0[SEL_TBCLK]`. TB is a volatile resource and must be initialized during start-up. For details, see [Section 2.11, “Timer Registers.”](#)

	32	63 32	63
Field	TBU		TBL
Reset	Undefined on <i>m_por</i> assertion, unchanged on <i>p_reset_b</i> assertion		Undefined on <i>m_por</i> assertion, unchanged on <i>p_reset_b</i> assertion
R/W	User read/Supervisor write		User read/Supervisor write
SPR	269 Read/285 Write		268 Read/284 Write

Figure 2-26. Time Base Upper/Lower Registers (TBU/TBL)

The TB is interpreted as a 64-bit unsigned integer that is periodically incremented. Each increment adds 1 to the least-significant bit. The frequency at which the integer is updated is implementation-dependent.

TBL increments until its value becomes `0xFFFF_FFFF` ($2^{32} - 1$). At the next increment, its value becomes `0x0000_0000` and TBU is incremented. This process continues until the TBU value becomes `0xFFFF_FFFF` and the TBL value becomes `0xFFFF_FFFF` (TB is interpreted as `0xFFFF_FFFF_FFFF_FFFF` ($2^{64} - 1$)). At the next increment, the TBU value becomes `0x0000_0000` and the TBL value becomes `0x0000_0000`. There is no interrupt (or any other indication).

The period depends on the driving frequency. For example, if TB is driven by 100 MHz divided by 32, the TB period is as follows:

(approximately 187,000 years)

The TB is implemented to satisfy the following requirements:

- Loading a GPR from the TB has no effect on the accuracy of the TB.
- Storing a GPR to the TB replaces the value in the TB with the value in the GPR.

Book E does not specify a relationship between the TB update frequency and other frequencies, such as the CPU clock or bus clock. The TB update frequency does not have to be constant. One of the following is required to ensure that system software can keep time of day and operate interval timers:

- The system provides an (implementation-dependent) interrupt to software when the update frequency of the TB changes and a way to determine the current update frequency.
- The update frequency of the TB is under the control of system software.

NOTE

Disabling the TB or making reading the time base privileged prevents the TB from being used to implement a covert channel in a secure system. If the operating system initializes the TB on power-on to some reasonable value and the update frequency of the TB is constant, the TB can be used as a source of values that increase at a constant rate, such as for time stamps in trace entries.

Even if the update frequency is not constant, values read from the TB are monotonically increasing (except when the TB wraps from $2^{64} - 1$ to 0). If a trace entry is recorded each time the update frequency changes, the sequence of TB values can be post-processed to become actual time values.

Successive readings of the TB may return identical values.

The TB is useful for timing reasonably short sequences of code (a few hundred instructions) and for low-overhead time stamps for tracing.

2.11.4 Decrementer Register

DEC, shown in [Figure 2-27](#), is a decrementing counter that is enabled by setting `HID0[TBEN]`. The decrementer and time base update at the same frequency, which is selected in `HID0[SEL_TBCLK]`. It provides way to signal a decrementer interrupt after a specified period unless one of the following occurs:

- Software alters DEC in the interim.
- The TB update frequency changes.

DEC is typically used as a general-purpose software timer. The decrementer auto-reload register (DECAR) automatically reloads a programmed value into DEC.

	32	63
Field	Decrementer value	
Reset	Undefined on <i>m_por</i> assertion, unchanged on <i>p_reset_b</i> assertion	
R/W	R/W	
SPR	SPR 22	

Figure 2-27. Decrementer Register (DEC)

2.11.5 Decrementer Auto-Reload Register (DECAR)

If the auto-reload function is enabled (`TCR[ARE] = 1`), the auto-reload value in DECAR, shown in [Figure 2-28](#), is written to DEC when DEC decrements from `0x0000_0001` to `0x0000_0000`. Writing DEC with zeros by using an `mtspr` does not automatically generate a decrementer interrupt.

	32	63
Field	Decrementer auto-reload value	
Reset	Undefined on <i>m_por</i> assertion, unchanged on <i>p_reset_b</i> assertion	
R/W	R/W	
SPR	SPR 54	

Figure 2-28. Decrementer Auto-Reload Register (DECAR)

2.12 Debug Registers

This section describes software-accessible debug registers for use by special debug tools and debug software, not by general application code. Software access to these registers is conditioned by the external debug mode control bit (DBCR0[EDM]), which can be set by the hardware debug port. If DBCR0[EDM] is set, software is prevented from modifying debug register values. Execution of an **mtspr** instruction targeting a debug register does not cause modifications to occur. In addition, since the external debugger hardware may be manipulating debug register values, the state of these registers is not guaranteed to be consistent if read by software with an **mfscr** instruction other than DBCR0[EDM].

2.12.1 Debug Address and Value Registers

Instruction address compare registers IAC1–IAC4 hold instruction addresses for comparison. In addition, IAC2 and IAC4 hold mask information for IAC1 and IAC3, respectively, when address bit match compare modes are selected.

NOTE

During instruction address comparisons, the low-order two address bits of the instruction address and the corresponding IAC register are ignored.

Data address compare registers DAC1 and DAC2 hold data access addresses for comparison. In addition, DAC2 holds mask information for DAC1 when address bit match compare mode is selected.

2.12.1.1 Instruction Address Compare Registers (IAC1–IAC4)

IAC1–IAC4, shown in [Figure 2-29](#), hold instruction addresses for comparison.

	32	61 62 63
Field	Instruction address	
Reset	All zeros	
R/W	R/W	
SPR	SPR 312 (IAC1); SPR 313 (IAC2); SPR 314 (IAC3); SPR 315 (IAC4)	

Figure 2-29. Instruction Address Compare Registers (IAC1–IAC4)

A debug event can be enabled when there is an attempt to execute an instruction from an address in one of the following contexts:

- In an IAC
- Inside or outside a range specified by IAC1 and IAC2
- Inside or outside a range specified by IAC3 and IAC4
- To blocks of addresses specified by the combination of the IAC1 and IAC2
- To blocks of addresses specified by the combination of the IAC3 and IAC4.

Because all instruction addresses must be word-aligned, the two low-order bits of the IACs are reserved and do not participate in the comparison with the instruction address.

2.12.1.2 Data Address Compare Registers (DAC1–DAC2)

The data address compare 1 register (DAC1) and data address compare 2 register (DAC2), shown in Figure 2-30, are each 32 bits. A debug event can be enabled by loads, stores, or cache operations to an address specified in either DAC1 or DAC2, inside or outside a range specified by the DAC1 and DAC2, or blocks of addresses specified by the combination of the DAC1 and DAC2.

	32	63
Field	Data address	
Reset	All zeros	
R/W	R/W	
SPR	SPR 316 (DAC1); SPR 317 (DAC2)	

Figure 2-30. Data Address Compare Registers (DAC1–DAC2)

The contents of DAC1 or DAC2 are compared to the address generated by a data access instruction.

2.12.1.3 Data Value Compare Registers (DVC1–DVC2) (e200z335 only)

The data value compare 1 register (DVC1) and data value compare 2 register (DVC2), shown in Figure 2-31, are each 64 bits. Data value compare registers are used to hold data values for data comparison purposes. Data value comparisons are used to qualify data address compare debug events. DVC1 is associated with DAC1, and DVC2 is associated with DAC2.

The most significant byte of the DVC_n register (labeled B0 in Figure 9-2) corresponds to the byte data value transferred to/from memory byte offset 0, and the least significant byte of the register (labeled B7 in Figure 2-31) corresponds to byte offset 7. When enabled for performing data value comparisons, each enabled byte in DVC_n is compared with the memory value transferred on the corresponding active byte lane of the data memory interface to determine if a match occurs. Inactive byte lanes do not participate in the comparison, they are implicitly masked. Software must also program the DVC_n register byte positions based on the endian mode and alignment of the access. Misaligned accesses are not fully supported, since the data address and data value comparisons are only performed on the initial access in the case of a misaligned access. Thus, accesses which cross a 64-bit boundary cannot be fully matched. For address and size combinations which involve two transfers, only the initial transfer is used for data address and value matching. DVC_n may be read or written using **mtspr** and **mfspir** instructions. All 64-bits of the GPR will be accessed, regardless of the value of the MSR[SPE] bit.

	0								63
Field	Data address B0	Data address B1	Data address B2	Data address B3	Data address B4	Data address B5	Data address B6	Data address B7	
Reset	All zeros								
R/W	R/W								
SPR	SPR 318 (DVC1); SPR 319 (DVC2)								

Figure 2-31. Data Value Compare Registers (DVC1–DVC2)

2.12.2 Debug Counter Register (DBCNT)

The debug counter register (DBCNT) contains two 16-bit counters (CNT1 and CNT2) that can be configured to operate independently or concatenated into a single 32-bit counter. Each counter can be configured to count down (decrement) when one or more count-enabled events occur. The counters operate regardless of whether counters are enabled to generate debug exceptions. When a count value reaches zero, a debug count event is signaled and a debug event can be generated (if enabled). Upon reaching zero, the counter is frozen. A debug counter signals an event on the transition from a value of one to a final value of zero. Loading a value of zero into the counter prevents the counter from counting. The debug counter is configured by the contents of DBCR3. DBCNT is shown in [Figure 2-32](#).

	32	47 48	63
Field	CNT1		CNT2
Reset	Undefined on <i>m_por</i> assertion, unchanged on <i>p_reset_b</i> assertion		
R/W	R/W		
SPR	SPR 562		

Figure 2-32. DBCNT Register

Refer to [Section 2.12.3.4, “Debug Control Register 3 \(DBCR3\),”](#) for details on updates to the DBCNT register. There are restrictions on how the DBCNT and DBCR3 register are modified when one or more counters are enabled.

2.12.3 Debug Control and Status Registers (DBCR0–DBCR3)

DBCR0–DBCR3 enable debug events, reset the processor, control timer operation during debug events and set the debug mode of the processor. The debug status register (DBSR) records debug exceptions while internal or external debug mode is enabled.

To ensure that any alterations enabling/disabling debug events are effective, the e200z3 requires that a context synchronizing instruction follow an **mtspr** that updates a DBCR or DBSR. The context synchronizing instruction may or may not be affected by the alteration. Typically, an **isync** is used to create a synchronization boundary beyond which it can be guaranteed that the newly written control values are in effect. For watchpoint generation and counter operation, configuration settings in DBCR1–DBCR3 are used, even though the corresponding events can be disabled (via DBCR0) from setting DBSR flags.

2.12.3.1 Debug Control Register 0 (DBCR0)

DBCR0 is used to enable debug modes and controls which debug events are allowed to set DBSR flags. The e200z3 adds bits to this register, as shown in [Figure 2-33](#).

	32	33	34	35	36	37	38	39	40	41	42	43	44	45	46	47
Field	EDM	IDM	RST	ICMP	BRT	IRPT	TRAP	IAC1	IAC2	IAC3	IAC4	DAC1	DAC2			
Reset	All zeros ¹															
R/W	R/W															
	48	49	50	51	52	53	54	55	56	57	58	59	60	61	62	63
Field	RET	—			DEVT1	DEVT2	DCNT1	DCNT2	CIRPT	CRET	VLES	—		FT		
Reset	All zeros ¹															
R/W	R/W															
SPR	SPR 308															

Figure 2-33. DBCR0 Register

¹ DBCR0[EDM] is affected by *j_trst_b* or *m_por* assertion, and while in the *test_logic_reset* state, but not by *p_reset_b*. All other bits are reset by processor reset *p_reset_b* as well as by *m_por*.

Table 2-17 provides field definitions for DBCR0.

Table 2-17. DBCR0 Field Descriptions

Bits	Name	Description
32	EDM	<p>External debug mode. For software, this bit is read-only. Software can use EDM to determine whether external debug has control over debug registers. The hardware debugger must set EDM before other DBCR0 bits (and other debug registers) can be altered. On the initial setting of EDM, all other bits are unchanged. EDM is writable only through the OnCE port.</p> <p>0 External debug mode is disabled. Internal debug events not mapped into external debug events. 1 External debug mode is enabled. Events do not cause the CPU to vector to interrupt code. Software is not permitted to write to debug registers (DBCR0–DBCR3, DBSR, DBCNT, IAC1–IAC4, DAC1–DAC2) unless permitted by settings in DBERC0.</p> <p>Note: DBSR status bits should be cleared before external debug mode is disabled to avoid internal imprecise debug interrupts.</p> <p>When external debug mode is enabled, hardware-owned resources in debug registers are not affected by processor reset p_reset_b. This allows the debugger to set up hardware debug events which remain active across a processor reset.</p>
33	IDM	<p>Internal debug mode.</p> <p>0 Debug exceptions are disabled. Debug events do not affect DBSR. 1 Debug exceptions are enabled. Enabled debug events update the DBSR. If MSR[DE] = 1, a debug event or the recording of an earlier debug event in the DBSR when MSR[DE] was cleared causes a debug interrupt.</p>
34–35	RST	<p>Reset control.</p> <p>00 No function. 01 Reserved. 10 <i>p_resetout_b</i> set by debug reset control. Allows external device to initiate processor reset. 11 Reserved.</p>
36	ICMP	<p>Instruction complete debug event enable.</p> <p>0 ICMP debug events are disabled. 1 ICMP debug events are enabled.</p>

Table 2-17. DBCR0 Field Descriptions (continued)

Bits	Name	Description
37	BRT	Branch taken debug event enable. 0 BRT debug events are disabled. 1 BRT debug events are enabled.
38	IRPT	Interrupt taken debug event enable. 0 IRPT debug events are disabled. 1 IRPT debug events are enabled.
39	TRAP	Trap taken debug event enable. 0 TRAP debug events are disabled. 1 TRAP debug events are enabled.
40	IAC1	Instruction address compare 1 debug event enable. 0 IAC1 debug events are disabled. 1 IAC1 debug events are enabled.
41	IAC2	Instruction address compare 2 debug event enable. 0 IAC2 debug events are disabled. 1 IAC2 debug events are enabled.
42	IAC3	Instruction address compare 3 debug event enable. 0 IAC3 debug events are disabled. 1 IAC3 debug events are enabled.
43	IAC4	Instruction address compare 4 debug event enable. 0 IAC4 debug events are disabled. 1 IAC4 debug events are enabled.
44–45	DAC1	Data address compare 1 debug event enable 00 DAC1 debug events are disabled. 01 DAC1 debug events are enabled only for store-type data storage accesses. 10 DAC1 debug events are enabled only for load-type data storage accesses. 11 DAC1 debug events are enabled for load-type or store-type data storage accesses.
46–47	DAC2	Data address compare 2 debug event enable. 00 DAC2 debug events are disabled. 01 DAC2 debug events are enabled only for store-type data storage accesses. 10 DAC2 debug events are enabled only for load-type data storage accesses. 11 DAC2 debug events are enabled for load-type or store-type data storage accesses.
48	RET	Return debug event enable. 0 RET debug events are disabled. 1 RET debug events are enabled.
49–52	—	Reserved.
53	DEVT1	External debug event 1 enable. 0 DEVT1 debug events are disabled. 1 DEVT1 debug events are enabled.
54	DEVT2	External debug event 2 enable. 0 DEVT2 debug events are disabled. 1 DEVT2 debug events are enabled.
55	DCNT1	Debug counter 1 debug event enable. 0 counter 1 debug events are disabled. 1 counter 1 debug events are enabled.

Table 2-17. DBCR0 Field Descriptions (continued)

Bits	Name	Description
56	DCNT2	Debug counter 2 debug event enable. 0 counter 2 debug events are disabled. 1 counter 2 debug events are enabled.
57	CIRPT	Critical interrupt taken debug event enable. 0 CIRPT debug events are disabled. 1 CIRPT debug events are enabled.
58	CRET	Critical return debug event enable. 0 CRET debug events are disabled. 1 CRET debug events are enabled.
59	VLES	VLE status, Set if an ICMP, BRT, TRAP, RET, CRET, IAC, or DAC debug event occurred on a VLE instruction. Undefined for IRPT, CIRPT, DEVT[1,2], DCNT[1,2], and UDE events.
60–62	—	Reserved.
63	FT	Freeze timers on debug event. 0 Timebase timers are unaffected by set DBSR bits. 1 Disable clocking of timebase timers if any DBSR bit is set (except MRR or CNT1TRG).

2.12.3.2 Debug Control Register 1 (DBCR1)

DBCR1, shown in [Figure 2-34](#), is used to configure instruction address compare operation.

	32	33	34	35	36	37	38	39	40	41	42	47	48	49	50	51	52	53	54	55	56	57	58	63
Field	IAC1US	IAC1ER	IAC2US	IAC2ER	IAC12M	—	IAC3US	IAC3ER	IAC4US	IAC4ER	IAC34M	—												
Reset	All zeros ¹																							
R/W	R/W																							
SPR	SPR 309																							

Figure 2-34. Debug Control Register 1 (DBCR1)

¹ Reset by processor reset **p_reset_b** if DBCR0[EDM]=0, as well as unconditionally by **m_por**. If DBCR0[EDM]=1, DBCR0 masks off hardware-owned resources from reset by **p_reset_b** and only software-owned resources indicated by DBCR0 will be reset by **p_reset_b**.

Table 2-18 describes debug control register 1 fields.

Table 2-18. DBCR1 Field Descriptions

Bits	Name	Description
32–33	IAC1US	Instruction address compare 1 user/supervisor mode. 00 IAC1 debug events are not affected by MSR[PR]. 01 Reserved. 10 IAC1 debug events can occur only if MSR[PR] = 0 (supervisor mode). 11 IAC1 debug events can occur only if MSR[PR] = 1 (user mode).
34–35	IAC1ER	Instruction address compare 1 effective/real mode. 00 IAC1 debug events are based on effective address. 01 Unimplemented in the e200z3 (Book E real address compare), no match can occur. 10 IAC1 debug events are based on effective address and can occur only if MSR[IS] = 0. 11 IAC1 debug events are based on effective address and can occur only if MSR[IS] = 1.
36–37	IAC2US	Instruction address compare 2 user/supervisor mode. 00 IAC2 debug events are not affected by MSR[PR]. 01 Reserved. 10 IAC2 debug events can occur only if MSR[PR] = 0 (supervisor mode). 11 IAC2 debug events can occur only if MSR[PR] = 1 (user mode).
38–39	IAC2ER	Instruction address compare 2 effective/real mode. 00 IAC2 debug events are based on effective address. 01 Unimplemented in the e200z3 (Book E real address compare), no match can occur. 10 IAC2 debug events are based on effective address and can occur only if MSR[IS] = 0. 11 IAC2 debug events are based on effective address and can occur only if MSR[IS] = 1.
40–41	IAC12M	Instruction address compare 1/2 mode. 00 Exact address compare. IAC1 debug events can occur only if the address of the instruction fetch is equal to the value specified in IAC1. IAC2 debug events can occur only if the address of the instruction fetch is equal to the value specified in IAC2. 01 Address bit match. IAC1 debug events can occur only if the address of the instruction fetch ANDed with the contents of IAC2 is equal to the contents of IAC1, also ANDed with the contents of IAC2. IAC2 debug events do not occur. IAC1US and IAC1ER settings are used. 10 Inclusive address range compare. IAC1 debug events can occur only if the address of the instruction fetch is greater than or equal to the value specified in IAC1 and less than the value specified in IAC2. IAC2 debug events do not occur. IAC1US and IAC1ER settings are used. 11 Exclusive address range compare. IAC1 debug events can occur only if the address of the instruction fetch is less than the value specified in IAC1 or is greater than or equal to the value specified in IAC2. IAC2 debug events do not occur. IAC1US and IAC1ER settings are used.
42–47	—	Reserved
48–49	IAC3US	Instruction address compare 3 user/supervisor mode. 00 IAC3 debug events are not affected by MSR[PR]. 01 Reserved. 10 IAC3 debug events can occur only if MSR[PR] = 0 (supervisor mode). 11 IAC3 debug events can occur only if MSR[PR] = 1 (user mode).
50–51	IAC3ER	Instruction address compare 3 effective/real mode. 00 IAC3 debug events are based on effective address. 01 Unimplemented in the e200z3 (Book E real address compare), no match can occur. 10 IAC3 debug events are based on effective address and can occur only if MSR[IS] = 0. 11 IAC3 debug events are based on effective address and can occur only if MSR[IS] = 1.

Table 2-18. DBCR1 Field Descriptions (continued)

Bits	Name	Description
52–53	IAC4US	Instruction address compare 4 user/supervisor mode. 00 IAC4 debug events are not affected by MSR[PR]. 01 Reserved. 10 IAC4 debug events can occur only if MSR[PR] = 0 (supervisor mode). 11 IAC4 debug events can occur only if MSR[PR] = 1 (user mode).
54–55	IAC4ER	Instruction address compare 4 effective/real mode. 00 IAC4 debug events are based on effective address. 01 Unimplemented in the e200z3 (Book E real address compare), no match can occur. 10 IAC4 debug events are based on effective address and can occur only if MSR[IS] = 0. 11 IAC4 debug events are based on effective address and can occur only if MSR[IS] = 1.
56–57	IAC34M	Instruction address compare 3/4 mode. 00 Exact address compare. IAC3 debug events can occur only if the address of the instruction fetch is equal to the value specified in IAC3. IAC4 debug events can occur only if the address of the instruction fetch is equal to the value specified in IAC4. 01 Address bit match. IAC3 debug events can occur only if the address of the instruction fetch ANDed with the contents of IAC4 is equal to the contents of IAC3, also ANDed with the contents of IAC4. IAC4 debug events do not occur. IAC3US and IAC3ER settings are used. 10 Inclusive address range compare. IAC3 debug events can occur only if the address of the instruction fetch is greater than or equal to the value specified in IAC3 and less than the value specified in IAC4. IAC4 debug events do not occur. IAC3US and IAC3ER settings are used. 11 Exclusive address range compare. IAC3 debug events can occur only if the address of the instruction fetch is less than the value specified in IAC3 or is greater than or equal to the value specified in IAC4. IAC4 debug events do not occur. IAC3US and IAC3ER settings are used.
58–63	—	Reserved

2.12.3.3 Debug Control Register 2 (DBCR2)

DBCR2, shown in [Figure 2-35](#), is used to configure data address compare operations.

	32	33	34	35	36	37	38	39	40	41	42	43	44	63
Field	DAC1US	DAC1ER	DAC2US	DAC2ER	DAC12M	DAC1LNK	DAC2LNK	—						
Reset	All zeros ¹													
R/W	R/W													
SPR	SPR 310													

Figure 2-35. DBCR2 Register

¹ Reset by processor reset **p_reset_b** if DBCR0[EDM]=0, as well as unconditionally by **m_por**. If DBCR0[EDM]=1, DBCR0 masks off hardware-owned resources from reset by **p_reset_b** and only software-owned resources indicated by DBCR0 will be reset by **p_reset_b**.

Table 2-19 describes DBCR2 fields.

Table 2-19. DBCR2 Field Descriptions

Bits	Name	Description
32–33	DAC1US	Data address compare 1 user/supervisor mode. 00 DAC1 debug events are not affected by MSR[PR]. 01 Reserved. 10 DAC1 debug events can occur only if MSR[PR] = 0 (supervisor mode). 11 DAC1 debug events can occur only if MSR[PR] = 1 (User mode).
34–35	DAC1ER	Data address compare 1 effective/real mode. 00 DAC1 debug events are based on effective address. 01 Unimplemented in the e200z3 (Book E real address compare), no match can occur. 10 DAC1 debug events are based on effective address and can occur only if MSR[DS] = 0. 11 DAC1 debug events are based on effective address and can occur only if MSR[DS] = 1.
36–37	DAC2US	Data Address compare 2 user/supervisor mode. 00 DAC2 debug events are not affected by MSR[PR]. 01 Reserved 10 DAC2 debug events can occur only if MSR[PR] = 0 (supervisor mode). 11 DAC2 debug events can occur only if MSR[PR] = 1 (user mode).
38–39	DAC2ER	Data address compare 2 effective/real mode. 00 DAC2 debug events are based on effective address. 01 Unimplemented in the e200z3 (Book E real address compare), no match can occur. 10 DAC2 debug events are based on effective address and can occur only if MSR[DS] = 0. 11 DAC2 debug events are based on effective address and can occur only if MSR[DS] = 1.
40–41	DAC12M	Data address compare 1/2 mode. 00 Exact address compare. DAC1 debug events can occur only if the address of the data access is equal to the value specified in DAC1. DAC2 debug events can occur only if the address of the data access is equal to the value specified in DAC2. 01 Address bit match. DAC1 debug events can occur only if the address of the data access ANDed with the contents of DAC2 is equal to the contents of DAC1, also ANDed with the contents of DAC2. DAC2 debug events do not occur. DAC1US and DAC1ER settings are used. 10 Inclusive address range compare. DAC1 debug events can occur only if the address of the data access is greater than or equal to the value specified in DAC1 and less than the value specified in DAC2. DAC2 debug events do not occur. DAC1US and DAC1ER settings are used. 11 Exclusive address range compare. DAC1 debug events can occur only if the address of the data access is less than the value specified in DAC1 or is greater than or equal to the value specified in DAC2. DAC2 debug events do not occur. DAC1US and DAC1ER settings are used.
42	DAC1LNK	Data address compare 1 linked. 0 No effect. 1 DAC1 debug events are linked to IAC1 debug events. IAC1 debug events do not affect DBSR. When linked to IAC1, DAC1 debug events are conditioned based on whether the instruction also generated an IAC1 debug event.
43	DAC2LNK	Data address compare 2 linked 0 No effect. 1 DAC 2 debug events are linked to IAC3 debug events. IAC3 debug events do not affect DBSR. When linked to IAC3, DAC2 debug events are conditioned based on whether the instruction also generated an IAC3 debug event. DAC2 can only be linked if DAC12M specifies exact address compare because DAC2 debug events are not generated in the other compare modes.
44–63	—	Reserved for data value compare control (not supported by the e200z3).

2.12.3.4 Debug Control Register 3 (DBCR3)

DBCR3, shown in [Figure 2-36](#), is an e200z3 implementation-specific register to enable and configure the debug counter and debug counter events. For counter operation, the specific debug events that cause counters to decrement are specified in DBCR3.

NOTE

Corresponding events do not need to be (and probably should not be) enabled in DBCR0.

The IAC1–IAC4 and DAC1–DAC2 control fields in DBCR0 are ignored for counter operations and the control fields in DBCR3 determine when counting is enabled. DBCR1 and DBCR2 control fields are also used to determine the configuration of IAC1–IAC4 and DAC1–DAC2 operations for counting, even though the setting of bits in DBSR by corresponding events can be disabled via DBCR0. Multiple count-enabled events that occur during execution of an instruction typically cause only one decrement of a counter. For example, if more than one IAC or DAC register hits and is enabled for counting, only one count can occur per counter. During execution of **lmw** and **stmw** instructions, multiple DAC_n hits can occur. If the instruction is not interrupted before completion, a single decrement of a counter occurs.

NOTE

If the counters operate independently, both may count for the same instruction.

The debug counter register (DBCNT) is configured by DBCR3[CONFIG] to operate either as separate 16-bit counter 1 and counter 2 or as a combined 32-bit counter (using control bits in DBCR3 for counter 1). Counters are enabled when any of their respective count enable event control bits are set and either DBCR0 or DBCR0[EDM] is set. Counter 1 can be configured to count down on a number of different debug events. Counter 2 is also configurable to count down on instruction complete, instruction or data address compare events, and external events.

Special capability is provided for counter 1 to be triggered to begin counting down by a subset of events (IAC1, IAC3, DAC1R, DAC1W, DEVT1, DEVT2, and counter 2). When one or more of the counter 1 trigger bits is set (IAC1T1, IAC3T1, DAC1RT1, DAC1WT1, DEVT1T1, DEVT2T1, CNT2T1), counter 1 is frozen until at least one of the triggering events occurs and is then enabled to begin operation. Triggering status for counter 1 is provided in the debug status register. Triggering mode is enabled by an **mtspr** DBCR3 which sets one or more of the trigger enable bits and also enables counter 1. The trigger can be re-armed by clearing the DBSR[CNT1TRG] status bit.

Most combinations of enables do not make sense and should be avoided. For example, if DBCR3[ICMP] is set for counter 1, no other count enable should be set for counter 1. Conversely, multiple instruction address compare count enables are allowed to be set and can be useful.

Due to instruction pipelining issues and other constraints, most combinations of events are not supported for event counting. Only the following combinations are for use; other combinations are not supported:

- Any combination of IAC[1–4]
- Any combination of DAC[1–2] including linking
- Any combination of DEVT[1–2]
- Any combination of IRPT and RET

Limited support is provided for any combination of IAC[1–4] with DAC[1–2] (linked or unlinked).

Due to pipelining and detection of IAC events early in the pipeline and DAC events late in the pipeline, no guarantee is made on the exact instruction boundary that a debug exception is generated when IAC and DAC events are combined for counting. This also applies when counter 1 is triggered by counter 2, and a combination of IAC and DAC events is enabled for the counters, even if only one of these types is enabled for a particular counter. In general, when an IAC event logically follows a DAC event within several instructions, it cannot be recognized immediately because the DAC event may not be generated in the pipeline at the time the IAC appears. Thus, the counter may not decrement to zero for the IAC event until after the instruction with the IAC (and perhaps several additional instructions) proceeds down the execution pipeline. The instruction boundary where the debug exception is actually generated typically follows the IAC by up to several instructions.

Note that the counters operate regardless of whether counters are enabled to generate debug exceptions.

If counter 2 is used to trigger counter 1, counter 2 events should not normally be enabled in DBCR0 and are not blocked.

NOTE

Multiple IAC or DAC events are not counted during an **lmw** or **stmw** instruction, and no count occurs if either is interrupted by a critical input or external input interrupt before completion.

	32	33	34	35	36	37	38	39
Field	DEVT1C1	DEVT2C1	ICMPC1	IAC1C1	IAC2C1	IAC3C1	IAC4C1	DAC1RC1
Reset	All zeros							
R/W	R/W							
	40	41	42	43	44	45	46	47
Field	DAC1WC1	DAC2RC1	DAC2WC1	IRPTC1	RETC1	DEVT1C2	DEVT2C2	ICMPC2
Reset	All zeros							
R/W	R/W							
	48	49	50	51	52	53	54	55
Field	IAC1C2	IAC2C2	IAC3C2	IAC4C2	DAC1RC2	DAC1WC2	DAC2RC2	DAC2WC2
Reset	All zeros							
R/W	R/W							
	56	57	58	59	60	61	62	63
Field	DEVT1T1	DEVT2T1	IAC1T1	IAC3T1	DAC1RT1	DAC1WT1	CNT2T1	CONFIG
Reset	All zeros							
R/W	R/W							
SPR	SPR 561							

Figure 2-36. DBCR3 Register

Table 2-20 provides field definitions for DBCR3

Table 2-20. DBCR3 Field Descriptions

Bits	Name	Description
32	DEVT1C1	External debug event 1 count 1 enable. 0 Counting DEVT1 debug events by counter 1 is disabled. 1 Counting DEVT1 debug events by counter 1 is enabled.
33	DEVT2C1	External debug event 2 count 1 enable. 0 Counting DEVT2 debug events by counter 1 is disabled. 1 Counting DEVT2 debug events by counter 1 is enabled.
34	ICMPC1	Instruction complete debug event count 1 enable. 0 Counting ICMP debug events by counter 1 is disabled. 1 Counting ICMP debug events by counter 1 is enabled. ICMP events are masked by MSR[DE] = 0 when operating in internal debug mode.
35	IAC1C1	Instruction address compare 1 debug event count 1 enable. 0 Counting IAC1 debug events by counter 1 is disabled. 1 Counting IAC1 debug events by counter 1 is enabled.
36	IAC2C1	Instruction address compare2 debug event count 1 enable. 0 Counting IAC2 debug events by counter 1 is disabled. 1 Counting IAC2 debug events by counter 1 is enabled.
37	IAC3C1	Instruction address compare 3 debug event count 1 enable. 0 Counting IAC3 debug events by counter 1 is disabled. 1 Counting IAC3 debug events by counter 1 is enabled.
38	IAC4C1	Instruction address compare 4 debug event count 1 enable. 0 Counting IAC4 debug events by counter 1 is disabled. 1 Counting IAC4 debug events by counter 1 is enabled.
39	DAC1RC1	Data address compare 1 read debug event count 1 enable ¹ . 0 Counting DAC1R debug events by counter 1 is disabled. 1 Counting DAC1R debug events by counter 1 is enabled.
40	DAC1WC1	Data address compare 1 write debug event count 1 enable ¹ . 0 Counting DAC1W debug events by counter 1 is disabled. 1 Counting DAC1W debug events by counter 1 is enabled.
41	DAC2RC1	Data address compare 2 read debug event count 1 enable ¹ . 0 Counting DAC2R debug events by counter 1 is disabled. 1 Counting DAC2R debug events by counter 1 is enabled.
42	DAC2WC1	Data address compare 2 write debug event count 1 enable ¹ . 0 Counting DAC2W debug events by counter 1 is disabled. 1 Counting DAC2W debug events by counter 1 is enabled.
43	IRPTC1	Interrupt taken debug event count 1 enable. 0 Counting IRPT debug events by counter 1 is disabled. 1 Counting IRPT debug events by counter 1 is enabled.
44	RETC1	Return debug event count 1 enable. 0 Counting RET debug events by counter 1 is disabled. 1 Counting RET debug events by counter 1 is enabled.
45	DEVT1C2	External debug event 1 count 2 enable. 0 Counting DEVT1 debug events by counter 2 is disabled. 1 Counting DEVT1 debug events by counter 2 is enabled.

Table 2-20. DBCR3 Field Descriptions (continued)

Bits	Name	Description
46	DEVT2C2	External debug event 2 count 2 enable. 0 Counting DEVT2 debug events by counter 2 is disabled. 1 Counting DEVT2 debug events by counter 2 is enabled.
47	ICMPC2	Instruction complete debug event count 2 enable. 0 Counting ICMP debug events by counter 2 is disabled. 1 Counting ICMP debug events by counter 2 is enabled. ICMP events are masked by MSR[DE] = 0 when operating in internal debug mode.
48	IAC1C2	Instruction address compare 1 debug event count 2 enable. 0 Counting IAC1 debug events by counter 2 is disabled. 1 Counting IAC1 debug events by counter 2 is enabled.
49	IAC2C2	Instruction address compare2 debug event count 2 enable. 0 Counting IAC2 debug events by counter 2 is disabled. 1 Counting IAC2 debug events by counter 2 is enabled.
50	IAC3C2	Instruction address compare 3 debug event count 2 enable. 0 Counting IAC3 debug events by counter 2 is disabled. 1 Counting IAC3 debug events by counter 2 is enabled.
51	IAC4C2	Instruction address compare 4 debug event count 2 enable. 0 Counting IAC4 debug events by counter 2 is disabled. 1 Counting IAC4 debug events by counter 2 is enabled.
52	DAC1RC2	Data address compare 1 read debug event count 2 enable ¹ . 0 Counting DAC1R debug events by counter 2 is disabled. 1 Counting DAC1R debug events by counter 2 is enabled.
53	DAC1WC2	Data address compare 1 write debug event count 2 enable ¹ . 0 Counting DAC1W debug events by counter 2 is disabled. 1 Counting DAC1W debug events by counter 2 is enabled.
54	DAC2RC2	Data address compare 2 read debug event count 2 enable ¹ . 0 Counting DAC2R debug events by counter 2 is disabled. 1 Counting DAC2R debug events by counter 2 is enabled.
55	DAC2WC2	Data address compare 2 write debug event count 2 enable ¹ . 0 Counting DAC2W debug events by counter 2 is disabled. 1 Counting DAC2W debug events by counter 2 is enabled.
56	DEVT1T1	External debug event 1 trigger counter 1 enable. 0 No effect. 1 A DEVT1 debug event triggers counter 1 operation.
57	DEVT2T1	External debug event 2 trigger counter 1 enable. 0 No effect. 1 A DEVT2 debug event triggers counter 1 operation.
58	IAC1T1	Instruction address compare 1 trigger counter 1 enable. 0 No effect. 1 An IAC1 debug event triggers counter 1 operation.
59	IAC3T1	Instruction address compare 3 trigger counter 1 enable. 0 No effect. 1 An IAC3 debug event triggers counter 1 operation.

Table 2-20. DBCR3 Field Descriptions (continued)

Bits	Name	Description
60	DAC1RT1	Data address compare 1 read trigger counter 1 enable. 0 No effect. 1 A DAC1R debug event triggers counter 1 operation.
61	DAC1WT1	Data address compare 1 write trigger counter 1 enable. 0 No effect. 1 A DAC1W debug event triggers counter 1 operation.
62	CNT2T1	Debug counter 2 trigger counter 1 enable. 0 No effect. 1 Counter 2 decrementing to 0 triggers counter 1 operation.
63	CONFIG	Debug counter configuration. 0 Counter 1 and counter 2 are independent counters. 1 Counter 1 and counter 2 are concatenated into a single 32-bit counter. The event count control bits for counter 1 are used and the event count control bits for counter 2 are ignored.

¹ If the DACx field in DBCR0 is set to restrict events to only reads or only writes, only those events are counted if enabled in DBCR3. In general, DAC events should be disabled in DBCR0.

NOTE

Perform updates to DBCR0, DBSR, DBCR3, and DBCNT carefully if the counters are enabled for counting ICMP events. An instruction that updates the counters or control over the counters can cause one or more counter events (DCNT1, DCNT2, CNTITRG), even if the result of the instruction is to modify the counter value or control value to a state where counter events are not expected. This is due to the pipelined nature of the counter and control operation.

- For DBCNT, if a counter is enabled to count ICMP events, MSR[DE] = 1, and the counter value is 1 before execution of an **mtspr** that loads the counter with a different value, a counter event is generated after the **mtspr** completes, even though the counter is loaded with a new value. When the **mtspr** finishes executing, a debug event is posted, but the counter holds the newly written value. The new counter value is assigned at the completion of an **mtspr** that modifies a counter, regardless of whether a debug event is generated based on the old counter value. To avoid this, modify DBCNT and DBCR3 only when there is no possibility of a counter-related debug event on the **mtspr**.
- For DBCR3, if a counter is enabled to count ICMP events, MSR[DE] = 1, and the counter value is 1 before execution of an **mtspr** that is loading DBCR3 with a different value, a counter event may be generated after the **mtspr** completes, even though DBCR3 is loaded with a value that prevents the particular event from being counted. When the **mtspr** finishes executing, a debug event is posted, but the

DBCR3 value reflects the newly established control, which may indicate that the particular event is not to cause a counter update. Modifying DBCR0 to affect counter event enabling/disabling may have similar issues, as may modifying DBSR[CNT1TRG].

2.12.3.5 Debug Control Register 4 (DBCR4) (e200z335 only)

Debug Control Register 4 is used to enable debug modes and controls which debug events are allowed to set DBSR flags. The core adds some implementation specific bits to this register, as seen in [Figure 2-33](#).

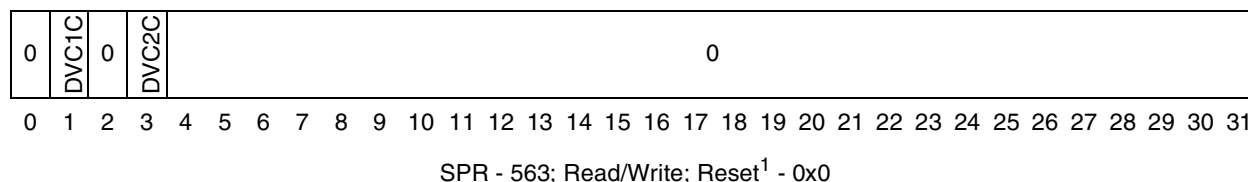


Figure 2-37. DBCR4 Register

¹ DBCR4 is reset by processor reset **p_reset_b** if DBCR0[EDM]=0, as well as unconditionally by **m_por**. If DBCR0[EDM]=1, DBERC0 masks off hardware-owned resources from reset by **p_reset_b** and only software-owned resources indicated by DBERC0 will be reset by **p_reset_b**.

[Table 2-17](#) provides bit definitions for Debug Control Register 4.

Table 2-21. DBCR4 Bit Definitions

Bit(s)	Name	Description
17:20	—	Reserved
0	DVC1C	Data Value Compare 1 Control 0 - Normal DVC1 operation. 1 - Inverted polarity DVC1 operation DVC1C controls whether DVC1 data value comparisons utilize the normal BookE operation, or an alternate "inverted compare" operation. In inverted polarity mode, data value compares perform a not-equal comparison. See details in the DBCR2 register definition
2	—	Reserved
3	DVC2C	Data Value Compare 2 Control 0 - Normal DVC2 operation. 1 - Inverted polarity DVC2 operation DVC2C controls whether DVC2 data value comparisons utilize the normal BookE operation, or an alternate "inverted compare" operation. In inverted polarity mode, data value compares perform a not-equal comparison. See details in the DBCR2 register definition
4:31	—	Reserved

2.12.4 Debug Status Register (DBSR)

DBSR, shown in [Figure 2-38](#), contains status on debug events and the most recent processor reset. Hardware sets DBSR, and software reads and clears it by writing a 1 in any bit position that is to be cleared and 0 in all other bit positions. The write data to the debug status register is not direct data, but a mask. A 1 causes the bit to be cleared, and a 0 has no effect. Debug status bits are set by debug events only while internal debug mode is enabled or external debug mode is enabled. When debug interrupts are enabled ($MSR[DE] = 1$, $DBCR0[IDM] = 1$, and $DBCR0[EDM] = 0$), a set bit in DBSR causes a debug interrupt to be generated.

When debug interrupts are enabled ($MSR[DE]=1$, $DBCR0[IDM]=1$, and $DBCR0[EDM]=0$), a set bit in DBSR other than MRR or VLES causes a debug interrupt. The debug interrupt handler clears DBSR bits before returning to normal execution. The PowerPC VLE APU adds the $DBSR[VLES]$ status bit to indicate debug events occurring due to a PowerPC VLE instruction.

	32	33	34	35	36	37	38	39	40	41	42	43	44	45	46	47
Field	IDE	UDE	MRR	ICMP	BRT	IRPT	TRAP	IAC1	IAC2	IAC3	IAC4	DAC1R	DAC1W	DAC2R	DAC2W	
Reset	0001_0000_0000_0000															
R/W	Read/Clear															
	48	49		52	53	54	55	56	57	58	59		61	62	63	
Field	RET		—	DEVT1	DEVT2	DCNT1	DCNT2	CIRPT	CRET		—		DAC_OFST	CNT1TRG		
Reset	0000_0000_0000_0000															
R/W	Read/Clear															
SPR	SPR 304															

Figure 2-38. DBSR Register

[Table 2-22](#) provides field definitions for the debug status register.

Table 2-22. DBSR Field Descriptions

Bits	Name	Description
32	IDE	Imprecise debug event. Set if $MSR[DE] = 0$ and $DBCR0[EDM] = 0$ and a debug event causes its respective debug status register bit to be set. IDE can also be set if $DBCR0[EDM] = 1$ and an imprecise debug event occurs due to a DAC event on a load or store that is terminated with error, or if an ICMP event occurs in conjunction with a SPE FP round exception.
33	UDE	Unconditional debug event. Set when an unconditional debug event occurs.
34–35	MRR	Most recent reset. 00 No reset since software last cleared these bits. 01 A hard reset occurred since software last cleared these bits. 1x Reserved.
36	ICMP	Instruction complete debug event. Set if an instruction complete debug event occurs.
37	BRT	Branch taken debug event. Set if an branch taken debug event occurs.
38	IRPT	Interrupt taken debug event. Set if an interrupt taken debug event occurs.

Table 2-22. DBSR Field Descriptions (continued)

Bits	Name	Description
39	TRAP	Trap taken debug event. Set if a trap taken debug event occurs.
40	IAC1	Instruction address compare 1 debug event. Set if an IAC1 debug event occurs.
41	IAC2	Instruction address compare 2 debug event. Set if an IAC2 debug event occurs.
42	IAC3	Instruction address compare 3 debug event. Set if an IAC3 debug event occurs.
43	IAC4	Instruction address compare 4 debug event. Set if an IAC4 debug event occurs.
44	DAC1R	Data address compare 1 read debug event. Set if a read-type DAC1 debug event occurs while DBCR0[DAC1] = 0b10 or DBCR0[DAC1] = 0b11.
45	DAC1W	Data address compare 1 write debug event. Set if a write-type DAC1 debug event occurs while DBCR0[DAC1] = 0b01 or DBCR0[DAC1] = 0b11.
46	DAC2R	Data address compare 2 read debug event. Set if a read-type DAC2 debug event occurs while DBCR0[DAC2] = 0b10 or DBCR0[DAC2] = 0b11.
47	DAC2W	Data address compare 2 write debug event. Set if a write-type DAC2 debug event occurs while DBCR0[DAC2] = 0b01 or DBCR0[DAC2] = 0b11.
48	RET	Return debug event. Set if a Return debug event occurs.
49–52	—	Reserved, should be cleared.
53	DEVT1	External debug event 1 debug event. Set if a DEVT1 debug event occurs.
54	DEVT2	External debug event 2 debug event. Set if a DEVT2 debug event occurs.
55	DCNT1	Debug counter 1 debug event. Set if a DCNT1 debug event occurs.
56	DCNT2	Debug counter 2 debug event. Set if a DCNT2 debug event occurs.
57	CIRPT	Critical interrupt taken debug event. Set if a critical interrupt taken debug event occurs.
58	CRET	Critical return debug event. Set if a critical return debug event occurs.
59–60	—	Reserved, should be cleared.
61–62	DAC_OFST	Data Address Compare Offset (e200z335 only, reserved on e200z3) Indicates offset-1 of saved DSRR0 value from the address of the load or store instruction which took a DAC Debug exception, unless a simultaneous DTLB or DSI error occurs, in which case this field is set to 2'b00 and DBSR[IDE] is set to 1. Normally set to 2'b00. A DVC DAC will set this field to 2'b01.
63	CNT1TRG	Counter 1 triggered. Set if debug counter 1 is triggered by a trigger event.

2.12.5 Debug External Resource Control Register (DBERC0)

The Debug External Resource Control Register (DBERC0) controls resource allocation when DBCR0[EDM] is set to '1'. DBERC0 provides a mechanism for the hardware debugger to share debug resources with software. Individual resources are allocated based on the settings of DBERC0 when DBCR0[EDM]=1. DBERC0 settings are ignored when DBCR0[EDM]=0.

Hardware-owned resources which generate debug events cause entry into debug mode, while software-owned resources which generate debug events act as if they occurred in internal debug mode, thus causing debug interrupts to occur if DBCR0[IDM]=1 and MSR[DE]=1. DBERC0 is controlled via the OnCE port hardware, and is read-only to software.

Debug Status bits in DBSR are set by software-owned debug events only while Internal Debug Mode is enabled. When debug interrupts are enabled (MSR[DE]=1 DBCR0[IDM]=1 and DBCR0[EDM]=0, or MSR[DE]=1, DBCR0[IDM]=1 and DBCR0[EDM]=1 and software is allocated resource(s) via DBERC0), a set bit in DBSR which is software-owned other than MRR or VLES will cause a debug interrupt to be generated.

Debug Status bits in DBSR are set by hardware-owned debug events only while External Debug Mode is enabled (DBCR0[EDM]=1).

If DBERC0[IDM]=1, all DBSR status bits corresponding to hardware-owned debug events are masked to 0 when accessed by software. The actual values in the DBSR register is always visible to hardware when accessed via the OnCE port.

Software-owned resources may be modified by software, but only the corresponding control and status bits in DBCR0-4 and DBSR are affected by execution of a **mtspr**, thus only a portion of these registers may be affected, depending on the allocation settings in DBERC0. The debug interrupt handler is still responsible for clearing software-owned DBSR bits prior to returning to normal execution. Hardware always has full access to all registers and all register fields through the OnCE register access mechanism, and it is up to the debug firmware to properly implement modifications to these registers with read-modify-write operations to implement any control sharing with software. Settings in DBERC0 should be considered by the debug firmware in order to preserve software settings of control and status registers as appropriate when hardware modifications to the debug registers is performed.

The DBERC0 register is shown in [Figure 2-39](#).

0	IDM	RST	UDE	ICMP	BRT	IRPT	TRAP	IAC1	IAC2	IAC3	IAC4	DAC1	0	DAC2	0	RET	0	DEVT1	DEVT2	DCNT1	DCNT2	CIRPT	CRET	BKPT							FT
0	1	2	3	4	5	6	7	8	9	10	11	12	13	14	15	16	17	18	19	20	21	22	23	24	25	26	27	28	29	30	31

SPR - 569; Read-only by Software; Reset - Unaffected by **p_reset_b**, cleared by **m_por** or while in the test-logic-reset OnCE controller state

Figure 2-39. DBERC0 Register

Table 2-22 provides bit definitions for the Debug External Resource Control Register. Note that DBERC0 controls are disabled when DBCR0[EDM]=0.

Table 2-23. DBERC0 Bit Definitions

Bit(s)	Name	Description
0	—	Reserved
1	IDM	<p>Internal Debug Mode control</p> <p>0 - Internal Debug mode may not be enabled by software. DBCR0[IDM] is owned exclusively by hardware. mtspr DBCR0-4, DBCNT or DBSR is always ignored. No resource sharing occurs, regardless of the settings of other fields in DBERC0. Hardware exclusively owns all resources.</p> <p>1 - Internal Debug mode may be enabled by software. DBCR0[IDM], DBSR[IDE], and DBSR[MRR] are owned by software. DBCR0[IDM], DBSR[IDE], and DBSR[MRR] are software readable/writeable.</p> <p>When DBERC0[IDM]=1, hardware-owned status and control bits in DBSR are masked from software access and read as 0. Software writes to hardware-owned bits in DBCR0-4, DBCNT, and DBSR via mtspr are ignored.</p>
2	RST	<p>Reset Field Control</p> <p>0 - DBCR0[RST] owned exclusively by hardware debug. No mtspr access by software to DBCR0[RST] field.</p> <p>1 - DBCR0[RST] accessible by software debug. DBCR0[RST] is software readable/writeable.</p>
3	UDE	<p>Unconditional Debug Event</p> <p>0 - Event owned by hardware debug. No mtspr access by software to DBSR[UDE] field.</p> <p>1 - Event owned by software debug. DBSR[UDE] is software readable/writeable.</p>
4	ICMP	<p>Instruction Complete Debug Event</p> <p>0 - Event owned by hardware debug. No mtspr access by software to DBCR0[ICMP] or DBSR[ICMP] fields.</p> <p>1 - Event owned by software debug. DBCR0[ICMP] and DBSR[ICMP] are software readable/writeable.</p>
5	BRT	<p>Branch Taken Debug Event</p> <p>0 - Event owned by hardware debug. No mtspr access by software to DBCR0[BRT] or DBSR[BRT] fields.</p> <p>1 - Event owned by software debug. DBCR0[BRT] and DBSR[BRT] are software readable/writeable.</p>
6	IRPT	<p>Interrupt Taken Debug Event</p> <p>0 - Event owned by hardware debug. No mtspr access by software to DBCR0[IRPT] or DBSR[IRPT] fields.</p> <p>1 - Event owned by software debug. DBCR0[IRPT] and DBSR[IRPT] are software readable/writeable.</p>
7	TRAP	<p>Trap Taken Debug Event</p> <p>0 - Event owned by hardware debug. No mtspr access by software to DBCR0[TRAP] or DBSR[TRAP] fields.</p> <p>1 - Event owned by software debug. DBCR0[TRAP] and DBSR[TRAP] are software readable/writeable.</p>

Table 2-23. DBERC0 Bit Definitions (continued)

Bit(s)	Name	Description
8	IAC1	Instruction Address Compare 1 Debug Event 0 - Event owned by hardware debug. No mtspr access by software to IAC1 control and status fields. 1 - Event owned by software debug. DBCR0[IAC1] and DBSR[IAC1] are software readable/writeable.
9	IAC2	Instruction Address Compare 2 Debug Event 0 - Event owned by hardware debug. No mtspr access by software to IAC2 control and status fields. 1 - Event owned by software debug. IAC2 control and status fields are software readable/writeable.
10	IAC3	Instruction Address Compare 3 Debug Event 0 - Event owned by hardware debug. No mtspr access by software to IAC3 control and status fields. 1 - Event owned by software debug. IAC3 control and status fields are software readable/writeable.
11	IAC4	Instruction Address Compare 4 Debug Event 0 - Event owned by hardware debug. No mtspr access by software to IAC4 control and status fields. 1 - Event owned by software debug. IAC4 control and status fields are software readable/writeable.
12	DAC1	Data Address Compare 1 Debug Event 0 - Event owned by hardware debug. No mtspr access by software to DAC1 control and status fields. 1 - Event owned by software debug. DAC1 control and status fields are software readable/writeable.
13	—	Reserved
14	DAC2	Data Address Compare 2 Debug Event 0 - Event owned by hardware debug. No mtspr access by software to DAC2 control and status fields. 1 - Event owned by software debug. DAC2 control and status fields are software readable/writeable.
15	—	Reserved
16	RET	Return Debug Event 0 - Event owned by hardware debug. No mtspr access by software to DBCR0[RET] or DBSR[RET] fields. 1 - Event owned by software debug. DBCR0[RET] and DBSR[RET] are software readable/writeable.
17:20	—	Reserved
21	DEVT1	External Debug Event 1 Debug Event 0 - Event owned by hardware debug. No mtspr access by software to DBCR0[DEVT1] or DBSR[DEVT1] fields. 1 - Event owned by software debug. DBCR0[DEVT1] and DBSR[DEVT1] are software readable/writeable.

Table 2-23. DBERC0 Bit Definitions (continued)

Bit(s)	Name	Description
22	DEVT2	External Debug Event 2 Debug Event 0 - Event owned by hardware debug. No mtspr access by software to DBCR0[DEVT2] or DBSR[DEVT2] fields. 1 - Event owned by software debug. DBCR0[DEVT2] and DBSR[DEVT2] are software readable/writeable.
23	DCNT1	Debug Counter 1 Debug Event 0 - Event owned by hardware debug. No mtspr access by software to Counter1 control and status fields. 1 - Event owned by software debug. Counter1 control and status fields are software readable/writeable.
24	DCNT2	Debug Counter 2 Debug Event 0 - Event owned by hardware debug.No mtspr access by software to Counter2 control and status fields. 1 - Event owned by software debug. Counter2 control and status fields are software readable/writeable.
25	CIRPT	Critical Interrupt Taken Debug Event 0 - Event owned by hardware debug. No mtspr access by software to DBCR0[CIRPT] or DBSR[CIRPT] fields. 1 - Event owned by software debug. DBCR0[CIRPT] and DBSR[CIRPT] are software readable/writeable.
26	CRET	Critical Return Debug Event 0 - Event owned by hardware debug. No mtspr access by software to DBCR0[CRET] or DBSR[CRET] fields. 1 - Event owned by software debug. DBCR0[CRET] and DBSR[CRET] are software readable/writeable.
22	BKPT	Breakpoint Instruction Debug Control 0 - Breakpoint owned by hardware debug. Execution of a bkpt instruction (all 0's opcode) results in entry into debug mode. 1 - Breakpoint owned by software debug. Execution of a bkpt instruction (all 0's opcode) results in illegal instruction exception.
27:30	—	Reserved
31	FT	Freeze Timer Debug Control 0 - DBCR0[FT] owned by hardware debug. No access by software. 1 - DBCR0[FT] owned by software debug. DBSR[FT] is software readable/writeable.

Table 2-24 shows which resources are controlled by DBERC0 settings.

Table 2-24. DBERC0 Resource Control

DBCR0[IDM]	DBERC0[IDM]	DBERC0[RST]	DBERC0[ICMP]	DBERC0[BRT]	DBERC0[IRPT]	DBERC0[TRAP]	DBERC0[IAC1]	DBERC0[IAC2]	DBERC0[IAC3]	DBERC0[IAC4]	DBERC0[DAC1]	DBERC0[DAC2]	DBERC0[DEVT1]	DBERC0[DEVT2]	DBERC0[DCNT1]	DBERC0[DCNT2]	DBERC0[CIRPT]	DBERC0[CRET]	DBERC0[BKPT]	DBERC0[FT]	Name	Software Accessible via mtspr, affected by p_reset_b
0	-	-	-	-	-	-	-	-	-	-	-	-	-	-	-	-	-	-	-	-		DBCR0-4, DBSR, DBCNT
1	1	-	-	-	-	-	-	-	-	-	-	-	-	-	-	-	-	-	-	-		DBSR[MRR] ¹
1	1	-	-	-	-	-	-	-	-	-	-	-	-	-	-	-	-	-	-	-		DBCR0[IDM], DBSR[IDE, VLES]
1	1	1	-	-	-	-	-	-	-	-	-	-	-	-	-	-	-	-	-	-		DBCR0[RST],
1	1	-	1	-	-	-	-	-	-	-	-	-	-	-	-	-	-	-	-	-		DBCR0[ICMP], DBSR[ICMP]
1	1	-	-	1	-	-	-	-	-	-	-	-	-	-	-	-	-	-	-	-		DBCR0[BRT], DBSR[BRT]
1	1	-	-	-	1	-	-	-	-	-	-	-	-	-	-	-	-	-	-	-		DBCR0[IRPT], DBSR[IRPT]
1	1	-	-	-	-	1	-	-	-	-	-	-	-	-	-	-	-	-	-	-		DBCR0[TRAP], DBSR[TRAP]
1	1	-	-	-	-	-	1	-	-	-	-	-	-	-	-	-	-	-	-	-		IAC1, DBCR0[IAC1], DBCR1[IAC1US, IAC1ER] DBSR[IAC1]
1	1	-	-	-	-	-	-	1	-	-	-	-	-	-	-	-	-	-	-	-		IAC2, DBCR0[IAC2], DBCR1[IAC2US, IAC2ER] DBSR[IAC2]
1	1	-	-	-	-	-	1	1	-	-	-	-	-	-	-	-	-	-	-	-		DBCR1[IAC12M]
1	1	-	-	-	-	-	-	-	1	-	-	-	-	-	-	-	-	-	-	-		IAC3, DBCR0[IAC3], DBCR1[IAC3US, IAC3ER] DBSR[IAC3]
1	1	-	-	-	-	-	-	-	-	1	-	-	-	-	-	-	-	-	-	-		IAC4, DBCR0[IAC4], DBCR1[IAC4US, IAC4ER] DBSR[IAC4]
1	1	-	-	-	-	-	-	-	1	1	-	-	-	-	-	-	-	-	-	-		DBCR1[IAC34M]
1	1	-	-	-	-	-	-	-	-	-	1	-	-	-	-	-	-	-	-	-		DAC1, DVC1 DBCR0[DAC1], DBCR2[DAC1US, DAC1ER, DVC1M, DVC1BE] DBCR4[DVC1C] DBSR[DAC1, DAC_OFST]

Table 2-24. DBERC0 Resource Control (continued)

DBCR0[EDM]	DBERC0[IDM]	DBERC0[RST]	DBERC0[ICMP]	DBERC0[BRT]	DBERC0[IRPT]	DBERC0[TRAP]	DBERC0[IAC1]	DBERC0[IAC2]	DBERC0[IAC3]	DBERC0[IAC4]	DBERC0[DAC1]	DBERC0[DAC2]	DBERC0[DEVT1]	DBERC0[DEVT2]	DBERC0[DCNT1]	DBERC0[DCNT2]	DBERC0[CIRPT]	DBERC0[CRET]	DBERC0[BKPT]	DBERC0[FT]	Name	Software Accessible via mtspr, affected by p_reset_b
1	1	-	-	-	-	-	-	-	-	-	-	1	-	-	-	-	-	-	-	-		DAC2, DVC2 DBCR0[DAC2], DBCR2[DAC2US, DAC2ER, DVC2M, DVC2BE] DBCR4[DVC2C] DBSR[DAC2, DAC_OFST]
1	1	-	-	-	-	-	-	-	-	-	1	1	-	-	-	-	-	-	-	-		DBCR2[DAC12M]
1	1	-	-	-	-	-	1	-	-	-	1	-	-	-	-	-	-	-	-	-		DBCR2[DAC1LNK]
1	1	-	-	-	-	-	-	-	1	-	-	1	-	-	-	-	-	-	-	-		DBCR2[DAC2LNK]
1	1	-	-	-	-	-	-	-	-	-	-	-	1	-	-	-	-	-	-	-		DBCR0[DEVT1], DBSR[DEVT1]
1	1	-	-	-	-	-	-	-	-	-	-	-	1	-	-	-	-	-	-	-		DBCR0[DEVT2], DBSR[DEVT2]
1	1	-	-	-	-	-	-	-	-	-	-	-	-	-	1	-	-	-	-	-		DBCR0[DCNT1], DBCR3[DEVT1C1, DEVT2C1, ICMP1, IAC1C1, IAC2C1, IAC3C1, IAC4C1, DAC1RC1, DAC1WC1, DAC2RC1, DAC2WC1, IRPT1, RETC1, DEVT1T1, DEVT2T1, IAC1T1, IAC3T1, DAC1RT1, DAC1WT1, CNT2T1] ² , DBSR[DCNT1, CNT1TRG], DBCNT[CNT1]
1	1	-	-	-	-	-	-	-	-	-	-	-	-	-	-	1	-	-	-	-		DBCR0[DCNT2], DBCR3[DEVT1C2, DEVT2C2, ICMP2, IAC1C2, IAC2C2, IAC3C2, IAC4C2, DAC1RC2, DAC1WC2, DAC2RC2, DAC2WC2] ³ , DBSR[DCNT2], DBCNT[CNT2]
1	1	-	-	-	-	-	-	-	-	-	-	-	-	1	1	-	-	-	-	-		DBCR3[CONFIG]
1	1	-	-	-	-	-	-	-	-	-	-	-	-	-	-	-	1	-	-	-		DBCR0[CIRPT], DBSR[CIRPT]
1	1	-	-	-	-	-	-	-	-	-	-	-	-	-	-	-	-	1	-	-		DBCR0[CRET], DBSR[CRET]

Table 2-24. DBERC0 Resource Control (continued)

	DBCR0[EDM]	DBERC0[IDM]	DBERC0[RST]	DBERC0[ICMP]	DBERC0[BRT]	DBERC0[IRPT]	DBERC0[TRAP]	DBERC0[IAC1]	DBERC0[IAC2]	DBERC0[IAC3]	DBERC0[IAC4]	DBERC0[DAC1]	DBERC0[DAC2]	DBERC0[DEVT1]	DBERC0[DEVT2]	DBERC0[DCNT1]	DBERC0[DCNT2]	DBERC0[CIRPT]	DBERC0[CRET]	DBERC0[BKPT]	DBERC0[FT]	Name	Software Accessible via mtspr, affected by p_reset_b	
1	1	-	-	-	-	-	-	-	-	-	-	-	-	-	-	-	-	-	-	-	1	-		
1	1	-	-	-	-	-	-	-	-	-	-	-	-	-	-	-	-	-	-	-	-	1		DBCR0[FT]

¹ Note: DBSR[MRR] is always updated by **p_reset_b**, regardless of the value of DBCR0[EDM] or DBERC0[IDM]

² Note that software is given write access to all counter 1 control events and triggers regardless of whether software owns these events. It is considered a programming error to enable counter or trigger events in DBCR3 which are not "owned" by software, and operational results of the counter(s) are undefined if programmed.

³ Note that software is given write access to all counter 2 control events regardless of whether software owns these events. It is considered a programming error to enable counter events in DBCR3 which are not "owned" by software, and operational results of the counter(s) are undefined if programmed.

DBERC0 also controls which bits or fields in DBCR0-4 are reset by assertion of **p_reset_b** when DBCR0[EDM]=1. Only software-owned bits or fields as shown in Table 2-24 are affected in this case, except that DBCR0[RST] and DBSR[MRR] are updated by assertion of **p_reset_b** regardless of the value of DBCR0[EDM] or DBERC0.

2.13 Hardware Implementation-Dependent Registers

Hardware implementation-dependent registers 0 and 1 (HID0 and HID1) are configuration registers to control various processor and system functions.

2.13.1 Hardware Implementation-Dependent Register 0 (HID0)

HID0, shown in Figure 2-40, is used for various configuration and control functions.

Field	32	33	37					38	39	40	41	42	43	45	46	47
	EMCP	—					BPRED	DOZE	NAP	SLEEP	—	ICR	NHR			
Reset	All zeros															
R/W	R/W															
Field	48	49	50	51	52	53	54	55	56	63						
	—	TBEN	SEL_TBCLK	DCLREE	DCLRCE	CICLRDE	MCCLRDE	DAPUEN	—							
Reset	All zeros															
R/W	R/W															
SPR	SPR 1008															

Figure 2-40. Hardware Implementation-Dependent Register 0 (HID0)

HID0 fields are described in Table 2-25.

Table 2-25. HID0 Field Descriptions

Bits	Name	Description
32	EMCP	Enable machine check signal (<i>p_mcp_b</i>). Used to mask out further machine check exceptions caused by assertion of <i>p_mcp_b</i> . 0 <i>p_mcp_b</i> is disabled. 1 <i>p_mcp_b</i> is enabled. If MSR[ME] = 0, asserting <i>p_mcp_b</i> causes checkstop. If MSR[ME] = 1, asserting <i>p_mcp_b</i> causes a machine check interrupt.
33–37	—	Reserved, should be cleared.
38–39	BPRED	Branch prediction (acceleration) control. Controls BTB lookahead for branch acceleration. Note that for branches with AA = 1, the msb of the displacement field is still used to indicate forward/backward, even though the branch is absolute. Used in conjunction with BUCSR. 00 Branch acceleration is enabled. 01 Branch acceleration is disabled for backward branches. 10 Branch acceleration is disabled for forward branches. 11 Branch acceleration is disabled for both branch directions.
40	DOZE	Doze power management mode. Doze mode is invoked by setting MSR[WE] while DOZE = 1. 0 Doze mode is disabled. 1 Doze mode is enabled.
41	NAP	Nap power management mode. Nap mode is invoked by setting MSR[WE] while NAP=1. 0 Nap mode is disabled. 1 Nap mode is enabled.
42	SLEEP	Sleep power management mode. Sleep mode is invoked by setting MSR[WE] while WE=1. Only one of DOZE, NAP, or SLEEP should be set for proper operation. 0 Sleep mode is disabled. 1 Sleep mode is enabled.
43–45	—	Reserved, should be cleared.
46	ICR	Interrupt inputs clear reservation. 0 External and critical input interrupts do not affect reservation status. 1 External and critical input interrupts clear an outstanding reservation.
47	NHR	Not hardware reset. Provided for software use. Set anytime by software, cleared by reset. 0 Indicates a reset to a reset exception handler if software has previously set this bit. 1 Indicates to a reset exception handler that there was no reset if software has previously set this bit.
48	—	Reserved, should be cleared.
49	TBEN	Time base enable. Used to enable the time base and decremter. 0 Time base is disabled. 1 Time base is enabled.
50	SEL_TBCLK	Select time base clock. Selects the time base clock source. This bit must altered while the time base is disabled to prevent counter glitches. Timer interrupts should be disabled beforehand, and TBL and TBU are reinitialized after a change of time base clock source. 0 Time base is based on processor clock. 1 Time base is based on the <i>p_tclk</i> input.
51	DCLREE	Debug interrupt clears MSR[EE]. Controls whether debug interrupts force external input interrupts to be disabled, or whether they remain unaffected. 0 MSR[EE] unaffected by debug interrupt. 1 MSR[EE] cleared by debug interrupt.

Table 2-25. HID0 Field Descriptions (continued)

Bits	Name	Description
52	DCLRCE	Debug interrupt clears MSR[CE]. Controls whether debug interrupts force critical interrupts to be disabled, or whether they remain unaffected. 0 MSR[CE] unaffected by debug interrupt. 1 MSR[CE] cleared by debug Interrupt.
53	CICLRDE	Critical interrupt clears MSR[DE]. Controls whether certain critical interrupts (critical input, watchdog timer) force debug interrupts to be disabled, or whether they remain unaffected. Machine check interrupts have a separate control bit. 0 MSR[DE] unaffected by critical class interrupt. 1 MSR[DE] cleared by critical class interrupt. If critical interrupt debug events are enabled (DBCR0[CIRPT] is set, which should only be done when the debug APU is enabled), and MSR[DE] is set at the time of a critical interrupt (critical input, watchdog timer), a debug event is generated after the critical interrupt handler has been fetched, and the debug handler is executed first. In this case, DSRR0[DE] will have been cleared, such that after returning from the debug handler, the critical interrupt handler will not be run with MSR[DE] enabled.
54	MCCLRDE	Machine check interrupt clears MSR[DE]. Controls whether machine check interrupts force debug interrupts to be disabled or are unaffected. If critical interrupt debug events are enabled (DBCR0[CIRPT] is set, which should only be done when the debug APU is enabled), and MSR[DE] is set at the time of a machine check interrupt, a debug event is generated after the machine check interrupt handler is fetched, and the debug handler executes first. In this case, DSRR0[DE] is cleared so that after returning from the debug handler, the machine check handler cannot be run if MSR[DE] = 1. 0 MSR[DE] unaffected by machine check interrupt. 1 MSR[DE] cleared by machine check interrupt.
55	DAPUEN	Debug APU enable. Controls whether the debug APU is enabled. 0 Debug APU disabled. Debug interrupts use the critical interrupt resources: CSRR0/CSRR1 and rfdi ; rfdi is treated as an illegal instruction. DCLREE, DCLRCE, CICLRDE, and MCCLRDE settings are ignored and are assumed to be ones. 1 Debug APU enabled. Debug interrupts use DSRR0/DSRR1 for saving state and rfdi is available for returning from a debug interrupt. Read and write access to DSRR0/DSRR1 via mfspr and mtspr is not affected by this bit.
56–63	—	Reserved, should be cleared.

2.13.2 Hardware Implementation-Dependent Register 1 (HID1)

The HID1 register is used for bus configuration and system control. HID1 is shown in [Figure 2-41](#).

	32	55	56	57	62	63	
Field	—			ATS	—		ARD
Reset	All zeros						
R/W	R/W						
SPR	SPR 1009						

Figure 2-41. Hardware Implementation-Dependent Register 1 (HID1)

HID1 fields are described in [Table 2-26](#).

Table 2-26. HID1 Field Descriptions

Bits	Name	Description
32–55	—	Reserved, should be cleared.
56	ATS	Atomic status (read-only). Indicates state of the reservation bit in the load/store unit. See Section 3.7, “Memory Synchronization and Reservation Instructions.”
57–62	—	Reserved, should be cleared.
63	ARD	Address retraction disable. 0 Address retraction enabled. 1 Address retraction disabled. Controls Address Retraction operation. For details, see Section 7.5.3, “Address Retraction.”

2.14 Branch Target Buffer (BTB) Registers

This section describes the only register that controls the branch target buffer.

2.14.1 Branch Unit Control and Status Register (BUCSR)

BUCSR, shown in [Figure 2-42](#), is for general control and status of the branch target buffer (BTB).

	32	53	54	55	62	63	
Field	—			BBFI	—		BPEN
Reset	All zeros						
R/W	R/W						
SPR	SPR 1013						

Figure 2-42. Branch Unit Control and Status Register (BUCSR)

BUCSR fields are described in [Table 2-27](#).

Table 2-27. Branch Unit Control and Status Register

Bits	Name	Description
32–53	—	Reserved, should be cleared.
54	BBFI	Branch target buffer flash invalidate. When set, BBFI flash clears the valid bit of all BTB entries; clearing occurs regardless of the value of the enable bit (BPEN). Note: BBFI is always read as 0.
55–62	—	Reserved, should be cleared.
63	BPEN	Branch target buffer (BTB) enable. 0 BTB prediction disabled. No hits are generated from the BTB and no new entries are allocated. Entries are not automatically invalidated when BPEN is cleared; BBFI controls entry invalidation. 1 BTB prediction enabled (enables BTB to predict branches).

2.15 L1 Cache Configuration Registers

This section describes the register that helps not to configure the cache.

2.15.1 L1 Cache Configuration Register 0 (L1CFG0)

The L1 cache configuration register 0 (L1CFG0) provides information on how not to configure the e200z3 cache design. For e200z3, reads of this register return a value of all zeros.

2.16 MMU Registers

This section describes the e200z3 registers for setting up and maintaining the TLBs.

2.16.1 MMU Control and Status Register 0 (MMUCSR0)

MMUCSR0, shown in [Figure 2-43](#), controls the state of the MMU.

Field	32	61	62	63	
	—			TLB1_FI	—
Reset	All zeros				
R/W	R/W				
SPR	SPR 1012				

Figure 2-43. MMU Control and Status Register 0 (MMUCSR0)

The MMUCSR0 fields are described in [Table 2-28](#).

Table 2-28. MMUCSR0 Field Descriptions

Bits	Name	Description
32–61	—	Reserved, should be cleared.
62	TLB1_FI	TLB1 flash invalidate 0 No flash invalidate 1 TLB1 invalidation operation. Hardware initiates a TLB1 invalidation, after which TLB1_FI is cleared. Setting TLB1_FI while an invalidation operation is in progress causes an undefined operation. Clearing TLB1_FI while an invalidation operation is in progress is ignored. TLB1 invalidation operations require 3 cycles to complete.
63	—	Reserved, should be cleared.

2.16.2 MMU Configuration Register (MMUCFG)

The MMU configuration register (MMUCFG) is a 32-bit read-only register. The SPR number for MMUCFG is 1015 in decimal. MMUCFG, which provides information about the configuration of the e200z3 MMU design, is shown in [Figure 2-44](#).

Field	32	48	49	52	53	57	58	59	60	61	62	63
	—			NPIDS	PIDSIZE	—		NTLBS	MAVN			
Reset	0000_0000_0000_0000_0			000_1	001_11	00		01	00			
R/W	Read only											
SPR	SPR 1015											

Figure 2-44. MMU Configuration Register 1 (MMUCFG)

The MMUCFG fields are described in [Table 2-29](#).

Table 2-29. MMUCFG Field Descriptions

Bits	Name	Description
32–48	—	Reserved, should be cleared.
49–52	NPIDS	Number of PID registers. 0001 This version of the MMU implements one PID register (PID0).
53–57	PIDSIZE	PID register size. 00111PID registers contain 8 bits in this version of the MMU.
58–59	—	Reserved, should be cleared.
60–61	NTLBS	Number of TLBs. 01 This version of the MMU implements two TLB structures: a null TLB0 and a populated TLB1.
62–63	MAVN	MMU architecture version number. 00 This version of the MMU implements version 1.0 of the Freescale Book E MMU architecture.

2.16.3 TLB Configuration Registers (TLB_nCFG)

The TLB_nCFG read-only registers provide information about each specific TLB that is visible to the programming model.

2.16.3.1 TLB Configuration Register 0 (TLB0CFG)

TLB0CFG, shown in [Figure 2-45](#), provides information about the configuration of TLB0. Because the e200z3 MMU design does not implement TLB0, this register reads as all zeros. It is supplied to allow software to query it in a way compatible with other Freescale Book E designs.

	32	39	40	43	44	47	48	49	50	51	52	63
Field	ASSOC			MINSIZE		MAXSIZE		IPROT	AVAIL	—	NENTRY	
Reset	All zeros (TLB0 is not implemented)											
R/W	Read only											
SPR	SPR 688											

Figure 2-45. TLB Configuration Register 0 (TLB0CFG)

The TLB0CFG fields are described in [Table 2-30](#).

Table 2-30. TLB0CFG Field Descriptions

Bits	Name	Description
32–39	ASSOC	Associativity.
40–43	MINSIZE	Minimum page size.
44–47	MAXSIZE	Maximum page size. 0
48	IPROT	Invalidate protect capability. 0

Table 2-30. TLB0CFG Field Descriptions (continued)

Bits	Name	Description
49	AVAIL	Page size availability. 0
50–51	—	Reserved, should be cleared.
52–63	NENTRY	Number of entries. 0 TLB0 contains 0 entries.

2.16.3.2 TLB Configuration Register 1 (TLB1CFG)

TLB1CFG, shown in [Figure 2-46](#), provides information on the TLB1 configuration.

	32	39	40	43	44	47	48	49	50	51	52	63
Field	ASSOC		MINSIZE		MAXSIZE		IPROT	AVAIL	—		NENTRY	
Reset	0010_0000		0001		1001		1	1	00		0000_0010_0000	
R/W	Read only											
SPR	SPR 689											

Figure 2-46. TLB Configuration Register 1 (TLB1CFG)

The TLB1CFG fields are described in [Table 2-31](#).

Table 2-31. TLB1CFG Field Descriptions

Bits	Name	Description
32–39	ASSOC	Associativity. 0x8 - Indicates that TLB1 associativity is 8 0x10 - Indicates that TLB1 associativity is 16
40–43	MINSIZE	Minimum page size. 0x1 - Smallest page size is 4 Kbytes.
44–47	MAXSIZE	Maximum page size. 0x9 - Largest page size is 256 Mbytes. 0xb - Largest page size is 4 Gbytes.
48	IPROT	Invalidate protect capability. 1 - Invalidate protect capability is supported in TLB1.
49	AVAIL	Page size availability. 1 - All page sizes between MINSIZE and MAXSIZE are supported.
50–51	—	Reserved, should be cleared.
52–63	NENTRY	Number of entries. 0x8 - TLB1 contains 8 entries. 0x010 - TLB1 contains 16 entries.

2.16.4 MMU Assist Registers (MAS0–MAS4, MAS6)

The e200z3 uses six special-purpose registers (MAS0–MAS4, and MAS6) for reading, writing, and searching the TLBs. The MAS registers can be read or written using the **mfspr** and **mtspr** instructions. The e200z3 does not implement the MAS5 register, which is present in other Freescale Book E designs, because the **tlbsx** instruction only searches based on a single SPID value.

For details on the MAS n registers, see [Section 5.6.5, “MMU Assist Registers \(MAS\).”](#) The MAS0 register is shown in [Figure 2-47](#).

	32	33	34	35	36	42	43	47	48	58	59	60	63
Field	—	TLBSEL	—			ESEL		—			NV		
Reset	Undefined on <i>m_por</i> assertion, unchanged on <i>p_reset_b</i> assertion												
R/W	R/W												
SPR	SPR 624												

Figure 2-47. MAS Register 0 (MAS0) Format

MAS0 fields are defined in [Table 2-32](#).

Table 2-32. MAS0—MMU Read/Write and Replacement Control

Bits	Name	Description
32–33	—	Reserved, should be cleared.
34–35	TLBSEL	Selects TLB for access. 01 TLB1 (ignored by the e200z3, should be written to 01 for future compatibility).
36–42	—	Reserved, should be cleared.
43–47	ESEL	Entry select for TLB1. Bit 43 is reserved on e200z335, so ESEL includes only bits 44–47 for e200z335.
48–59	—	Reserved, should be cleared.
60–63	NV	Next replacement victim for TLB1 (software managed). Software updates this field; it is copied to the ESEL field on a TLB error (See Table 5-6). Bit 60 is reserved on e200z335, so NV includes only bits 61–63 for e200z335.

The MAS1 register is shown in [Figure 2-48](#).

	32	33	34	39	40	47	48	50	51	52	55	56	63
Field	VALID	IPROT	—	TID		—	TS	TSIZE		—			
Reset	Undefined on <i>m_por</i> assertion, unchanged on <i>p_reset_b</i> assertion												
R/W	R/W												
SPR	SPR 625												

Figure 2-48. MMU Assist Register 1 (MAS1)

MAS1 fields are defined in [Table 2-33](#).

Table 2-33. MAS1—Descriptor Context and Configuration Control

Bits	Name	Description
32	VALID	TLB entry valid. 0 This TLB entry is invalid. 1 This TLB entry is valid.
33	IPROT	Invalidation protect. Protects TLB entry from invalidation by tlbivax (TLB1 only), or flash invalidates through MMUCSR0[TLB1_FI]. 0 Entry is not protected from invalidation. 1 Entry is protected from invalidation as described in Section 5.3.1, “IPROT Invalidation Protection in TLB1.”
34–39	—	Reserved, should be cleared.
40–47	TID	Translation ID. Compared with the current process IDs of the effective address to be translated. A TID value of 0 defines an entry as global and matches with all process IDs.
48–50	—	Reserved, should be cleared.
51	TS	Translation address space. Compared with MSR[IS] or MSR[DS] (depending on the type of access) to determine if this TLB entry may be used for translation.
52–55	TSIZE	Entry page size. Supported page sizes are: 0001 4KB 0010 16KB 0011 64k 0100 256k 0101 1MB 0110 4MB 0111 16MB 1000 64MB 1001 256MB 1010 1 GB (e200z335 only) 1011 4 GB (e200z335 only) All other values are undefined
56–63	—	Reserved, should be cleared.

The MAS2 register is shown in [Figure 2-49](#).

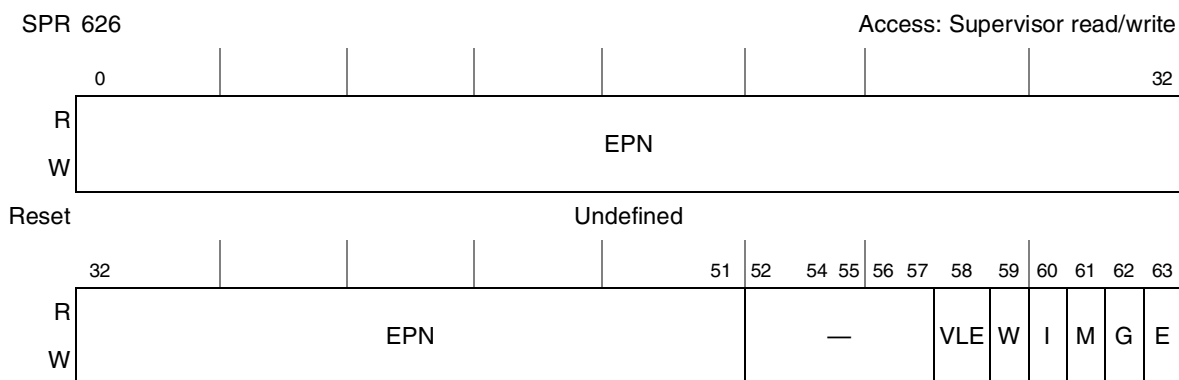


Figure 2-49. MMU Assist Register 2 (MAS2)

MAS2 fields are defined in [Table 2-34](#).

Table 2-34. MAS2—EPN and Page Attributes

Bits	Name	Description
32–51	EPN	Effective page number.
52–57	—	Reserved, should be cleared.
58	VLE	VLE mode. Identifies pages that contain instructions from the VLE APU. VLE is implemented only if the processor supports the VLE APU. Setting both the VLE and E fields is a programming error; an attempt to fetch instructions from a page so marked produces an ISI byte ordering exception and sets ESR[BO]. 0 Instructions fetched from the page are decoded and executed as PowerPC or EIS instructions. 1 Instructions fetched from the page are decoded and executed as VLE or EIS instructions. Implementation-dependent page attribute.
59	W	Write-through required. 0 This page is a write-back with respect to the caches in the system. 1 All stores performed to this page are written through to main memory.
60	I	Cache inhibited. 0 This page is cacheable. 1 This page is cache-inhibited.
61	M	Memory coherence required. The e200z3 does <i>not</i> support the memory coherence required attribute, and thus it is ignored. 0 Memory coherence is not required. 1 Memory coherence is required.
62	G	Guarded. The e200z3 ignores the guarded attribute (other than for generation of the $p_hprot[4:2]$ attributes on an external access), since no speculative or out-of-order processing is performed. 0 Access to this page are not guarded, and can be performed before it is known if they are required by the sequential execution model. 1 All loads and stores to this page are performed without speculation (that is, they are known to be required).
63	E	Endianness. Determines endianness for the corresponding page. 0 The page is accessed in big-endian byte order. 1 The page is accessed in true little-endian byte order.

The MAS3 register is shown in [Figure 2-50](#).

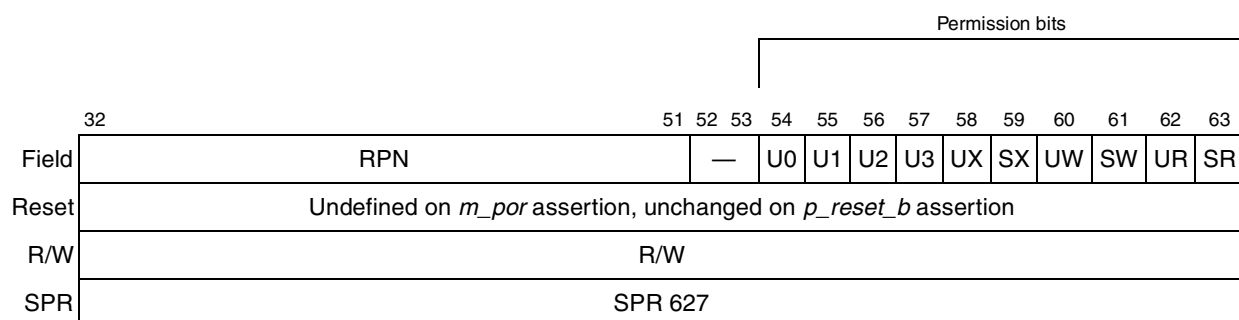


Figure 2-50. MMU Assist Register 3 (MAS3)

MAS3 fields are defined in [Table 2-35](#).

Table 2-35. MAS3—RPN and Access Control

Bits	Name	Description
32–51	RPN	Real page number. Only bits that correspond to a page number are valid. Bits that represent offsets within a page are ignored and should be zero.
52–53	—	Reserved, should be cleared.
54–57	U0–U3	User bits.
58–63	PERMIS	Permission bits (UX, SX, UW, SW, UR, SR).

The MAS4 register, shown in [Figure 2-51](#), contains fields for specifying default information to be pre-loaded on certain MMU related exceptions.

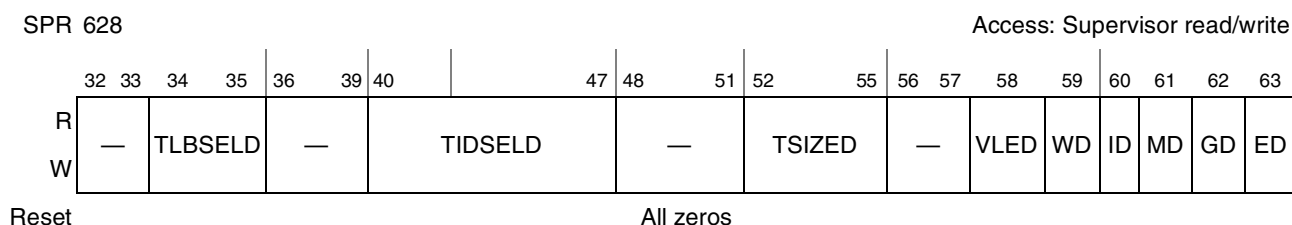


Figure 2-51. MMU Assist Register 4 (MAS4)

The MAS4 fields are defined in [Table 2-36](#).

Table 2-36. MAS4—Hardware Replacement Assist Configuration Register

Bits	Name	Description
32–33	—	Reserved, should be cleared.
34–35	TLBSELD	Default TLB selected. 01 TLB1 (ignored by the e200z3, should be written to 01 for future compatibility)
36–43	—	Reserved, should be cleared.
44–47	TIDSELD	TID default selection value. 4-bit field that specifies which of the current PID registers should be used to load the MAS1[TID] field on a TLB miss exception. The PID registers are addressed as follows: 0000 = PID0 (PID). 0001 = PID1. ... 1110 = PID14. A value that references a non-implemented PID register causes a value of 0 to be placed in MAS1[TID].
48–51	—	Reserved, should be cleared.
52–55	TSIZED	Default TSIZE value.
56–57	—	Reserved, should be cleared.
58	VLED	Default VLE value. Specifies the default value loaded into MAS2[VLE] on a TLB miss exception.
59–63	DWIMGE	Default WIMGE values.

The MAS6 register is shown in [Figure 2-52](#).

	32	39 40	47 48	62 63
Field	—	SPID	—	SAS
Reset	Undefined on <i>m_por</i> assertion, unchanged on <i>p_reset_b</i> assertion			
R/W	R/W			
SPR	SPR 630			

Figure 2-52. MMU Assist Register 6 (MAS6))

MAS6 fields are defined in [Table 2-37](#).

Table 2-37. MAS6—TLB Search Context Register 0

Bits	Name	Description
32–39	—	Reserved, should be cleared.
40–47	SPID	PID value for searches
48–62	—	Reserved, should be cleared.
63	SAS	AS value for searches

2.16.5 Process ID Register (PID0)

The process ID register, PID0, is shown in [Figure 2-53](#). The Book E architecture requires that a process ID (PID) value be associated with each effective address (instruction or data) generated by the processor. Book E defines one PID register that maintains the value of the PID for the current process. The number of PIDs implemented is indicated by the value of MMUCFG[NPIDS]. (The e200z3 defines no additional PID registers.) PID values are used to construct virtual addresses for accessing memory.

	32	55 56	63
Field	—	Process ID	
Reset	All zeros		
R/W	R/W		
SPR	SPR 48		

Figure 2-53. Process ID Register (PID0)

2.17 Support for Fast Context Switching

To provide real-time capabilities for embedded systems, future versions of the e200z3 core will include optional hardware support for fast context switching. The initial version of the e200z3 does not implement additional register contexts.

2.17.1 Context Control Register (CTXCR)

The future versions of the e200z3 core may include optional hardware support for fast context switching to provide real-time capabilities for embedded systems. The initial version of e200z3 does not implement additional register contexts. A new privileged 32-bit special-purpose register (SPR) called the context control register (CTXCR) is defined in the core CPU. The CTXCR controls the context registers that are mapped to the current context and holds current, alternate, and saved context information. Supervisor software reads the CTXCR to determine whether multiple contexts are supported in hardware, and if so, the number implemented. When multiple register contexts are present (CTXCR[*NUMCTX*] is non-zero), CTXCR is also writable. Otherwise, writes are ignored, and the register reads as all zeros. CTXCR is shown in [Figure 2-54](#).

	32	55 56	63
Field	—		
Reset	All zeros		
R/W	R/W (Writes are ignored because no additional contexts are implemented.)		
SPR	SPR 560		

Figure 2-54. Context Control Register (CTXCR)

2.18 SPR Register Access

SPRs are accessed with the **mf spr** and **mt spr** instructions. The following sections outline additional access requirements.

2.18.1 Invalid SPR References

System behavior when an invalid SPR is referenced depends on the apparent privilege level of the register, which is determined by bit 5 in the SPR address. If the invalid SPR is accessible in user mode, an illegal exception is generated. If the invalid SPR is accessible only in supervisor mode and the CPU core is in supervisor mode (MSR[PR] = 0), an illegal exception is generated. If the invalid SPR address is accessible only in supervisor mode and the CPU is not in supervisor mode (MSR[PR] = 1), a privilege exception is generated.

Table 2-38. System Response to Invalid SPR Reference

SPR Address Bit 5	Mode	MSR[PR]	Response
0	—	—	Illegal exception
1	Supervisor	0	Illegal exception
1	User	1	Privilege exception

2.18.2 Synchronization Requirements for SPRs

Except for the following registers, no synchronization is required for accessing SPRs beyond those stated in Book E. *EREF* completely describes synchronization requirements. Software requirements for

synchronization before/after accessing these registers are shown in [Table 2-39](#). The notation CSI in the table refers to context synchronizing instructions, including **sc**, **isync**, **rfi**, **rfdi**, and **rfdi**.

Table 2-39. Additional Synchronization Requirements for SPRs

Context Altering Event or Instruction		Required Before	Required After	Notes
mtmsr[UCLE]		None	CSI	
mf spr				
DBCNT	Debug counter register	msync	None	1
DBSR	Debug status register	msync	None	
HID0	Hardware implementation dependent register 0	None	None	
HID1	Hardware implementation dependent register 1	msync	None	
MMUCSR	MMU control and status register 0	CSI	None	
mt spr				
BUCSR	Branch unit control and status register	None	CSI	
CTXCR	Context control register	CSI	CSI	
DBCNT	Debug counter register	None	CSI	1
DBCR0	Debug control register 0	None	CSI	
DBCR1	Debug control register 1	None	CSI	
DBCR2	Debug control register 2	None	CSI	
DBCR3	Debug control register 3	None	CSI	
DBSR	Debug status register	msync	None	
HID0	Hardware implementation dependent reg 0	CSI	CSI	
MMUCSR	MMU control and status register 0	CSI	CSI	

Note:

1. Not required if counter is not currently enabled.

2.18.3 Special-Purpose Register Summary

PowerPC Book E and implementation-specific SPRs for the e200z3 core are listed in [Table 2-40](#). All registers are 32 bits. Register bits are numbered from bit 32–63 (most significant to least significant). Shaded entries represent optional registers. An SPR can be read or written with the **mf spr** and **mt spr** instructions. In the instruction syntax, compilers should recognize the mnemonic in the table below. For details, see [Section 2.4, “Processor Control Registers.”](#)

Table 2-40. Special-Purpose Registers

Mnemonic	Name	SPR Number	Access	Privileged	e200z3-Specific
BUCSR	Branch unit control and status register	1013	R/W	Yes	Yes
CSRR0	Critical save/restore register 0	58	R/W	Yes	No
CSRR1	Critical save/restore register 1	59	R/W	Yes	No

Table 2-40. Special-Purpose Registers (continued)

Mnemonic	Name	SPR Number	Access	Privileged	e200z3-Specific
CTR	Count register	9	R/W	No	No
CTXCR	Context control register	560	R/W ¹	Yes	Yes
DAC1	Data address compare 1	316	R/W	Yes	No
DAC2	Data address compare 2	317	R/W	Yes	No
DVC1	Data value compare 1	318	R/W	Yes	No
DVC2	Data value compare 2	319	R/W	Yes	No
DBCNT	Debug counter register	562	R/W	Yes	Yes
DBCR0	Debug control register 0	308	R/W	Yes	No
DBCR1	Debug control register 1	309	R/W	Yes	No
DBCR2	Debug control register 2	310	R/W	Yes	No
DBCR3	Debug control register 3	561	R/W	Yes	Yes
DBSR	Debug status register	304	Read/Clear ²	Yes	No
DEAR	Data exception address register	61	R/W	Yes	No
DEC	Decrementer	22	R/W	Yes	No
DECAR	Decrementer auto-reload	54	R/W	Yes	No
DSRR0	Debug save/restore register 0	574	R/W	Yes	Yes
DSRR1	Debug save/restore register 1	575	R/W	Yes	Yes
ESR	Exception syndrome register	62	R/W	Yes	No
HID0	Hardware implementation dependent reg 0	1008	R/W	Yes	Yes
HID1	Hardware implementation dependent reg 1	1009	R/W	Yes	Yes
IAC1	Instruction address compare 1	312	R/W	Yes	No
IAC2	Instruction address compare 2	313	R/W	Yes	No
IAC3	Instruction address compare 3	314	R/W	Yes	No
IAC4	Instruction address compare 4	315	R/W	Yes	No
IVOR0	Interrupt vector offset register 0	400	R/W	Yes	No
IVOR1	Interrupt vector offset register 1	401	R/W	Yes	No
IVOR2	Interrupt vector offset register 2	402	R/W	Yes	No
IVOR3	Interrupt vector offset register 3	403	R/W	Yes	No
IVOR4	Interrupt vector offset register 4	404	R/W	Yes	No
IVOR5	Interrupt vector offset register 5	405	R/W	Yes	No
IVOR6	Interrupt vector offset register 6	406	R/W	Yes	No
IVOR7	Interrupt vector offset register 7	407	R/W	Yes	No
IVOR8	Interrupt vector offset register 8	408	R/W	Yes	No

Table 2-40. Special-Purpose Registers (continued)

Mnemonic	Name	SPR Number	Access	Privileged	e200z3-Specific
IVOR9 ³	Interrupt vector offset register 9	409	R/W	Yes	No
IVOR10	Interrupt vector offset register 10	410	R/W	Yes	No
IVOR11	Interrupt vector offset register 11	411	R/W	Yes	No
IVOR12	Interrupt vector offset register 12	412	R/W	Yes	No
IVOR13	Interrupt vector offset register 13	413	R/W	Yes	No
IVOR14	Interrupt vector offset register 14	414	R/W	Yes	No
IVOR15	Interrupt vector offset register 15	415	R/W	Yes	No
IVOR32	Interrupt vector offset register 32	528	R/W	Yes	Yes
IVOR33	Interrupt vector offset register 33	529	R/W	Yes	Yes
IVOR34	Interrupt vector offset register 34	530	R/W	Yes	Yes
IVPR	Interrupt vector prefix register	63	R/W	Yes	No
LR	Link register	8	R/W	No	No
L1CFG0	L1 cache configuration register 0	515	Read only	No	Yes
MAS0	MMU assist register 0	624	R/W	Yes	Yes
MAS1	MMU assist register 1	625	R/W	Yes	Yes
MAS2	MMU assist register 2	626	R/W	Yes	Yes
MAS3	MMU assist register 3	627	R/W	Yes	Yes
MAS4	MMU assist register 4	628	R/W	Yes	Yes
MAS6	MMU assist register 6	630	R/W	Yes	Yes
MCSR	Machine check syndrome register	572	R/W	Yes	Yes
MMUCFG	MMU configuration register	1015	Read only	Yes	Yes
MMUCSR0	MMU control and status register 0	1012	R/W	Yes	Yes
PID0	Process ID register	48	R/W	Yes	No
PIR	Processor ID register	286	Read only	Yes	No
PVR	Processor version register	287	Read only	Yes	No
SPEFSCR	SPE APU status and control register	512	R/W	No	No
SPRG0	SPR general 0	272	R/W	Yes	No
SPRG1	SPR general 1	273	R/W	Yes	No
SPRG2	SPR general 2	274	R/W	Yes	No
SPRG3	SPR general 3	275	R/W	Yes	No
SPRG4	SPR general 4	260	Read only	No	No
		276	R/W	Yes	No

Table 2-40. Special-Purpose Registers (continued)

Mnemonic	Name	SPR Number	Access	Privileged	e200z3-Specific
SPRG5	SPR general 5	261	Read only	No	No
		277	R/W	Yes	No
SPRG6	SPR general 6	262	Read only	No	No
		278	R/W	Yes	No
SPRG7	SPR general 7	263	Read only	No	No
		279	R/W	Yes	No
SRR0	Save/restore register 0	26	R/W	Yes	No
SRR1	Save/restore register 1	27	R/W	Yes	No
SVR	System version register	1023	Read only	Yes	Yes
TBL	Time base lower	268	Read only	No	No
		284	Write only	Yes	No
TBU	Time base upper	269	Read only	No	No
		285	Write only	Yes	No
TCR	Timer control register	340	R/W	Yes	No
TLB0CFG	TLB0 configuration register	688	Read only	Yes	Yes
TLB1CFG	TLB1 configuration register	689	Read only	Yes	Yes
TSR	Timer status register	336	Read/Clear ⁴	Yes	No
USPRG0	User SPR general 0	256	R/W	No	No
XER	Integer exception register	1	R/W	No	No

Notes:

- ¹ Only writable when multiple contexts are implemented. Otherwise, writes are ignored
- ² The debug status register (DBSR) is read using **mf spr**. DBSR cannot be directly written. Instead, DBSR bits corresponding to 1 bits in the GPR can be cleared using **mt spr**.
- ³ IVOR9 handles the auxiliary processor unavailable interrupt. This interrupt is defined by the EIS but not supported in the e200z3; therefore, use of IVOR9 is not supported in the e200z3.
- ⁴ TSR is read using **mf spr**, but it cannot be directly written. Instead, TSR bits corresponding to 1 bits in the GPR can be cleared using **mt spr**.

2.18.4 Reset Settings

Table 2-41 shows the state of the PowerPC Book E registers and other optional resources immediately following a system reset.

Table 2-41. Reset Settings for e200z3 Resources

Resource	System Reset Setting
Program counter	<i>p_rstbase[0:19]</i> 0xFFC
GPRs	Unaffected ¹

Table 2-41. Reset Settings for e200z3 Resources (continued)

Resource	System Reset Setting
CR	Unaffected ¹
BUCSR	0x0000_0000
CSRR0	Unaffected ¹
CSRR1	Unaffected ¹
CTR	Unaffected ¹
CTXCR	000 NUMCTX 00_0000_0000_0000_0000_0000 ²
DAC1–DAC2	0x0000_0000
DVC1–DVC2	Unaffected ¹
DBCNT	Unaffected ¹
DBCR0–DBCR3	0x0000_0000
DBSR	0x1000_0000
DEAR	Unaffected ¹
DEC	Unaffected ¹
DECAR	Unaffected ¹
DSRR0	Unaffected ¹
DSRR1	Unaffected ¹
ESR	0x0000_0000
HID0–HID1	0x0000_0000
IAC1–IAC4	0x0000_0000
IVOR0–IVOR15	Unaffected ¹
IVOR32–IVOR34	Unaffected ¹
IVPR	Unaffected ¹
L1CFG0 ³	—
LR	Unaffected ¹
MAS0–MAS4, MAS6	Unaffected ¹
MCSR	0x0000_0000
MMUCFG ³	—
MMUCSR0	0x0000_0000
MSR	0x0000_0000
PID0	0x0000_0000
PIR ³	0x0000_00 <i>p_cpuid[0:7]</i>
PVR ³	—
SPEFSCR	0x0000_0000

Table 2-41. Reset Settings for e200z3 Resources (continued)

Resource	System Reset Setting
SPRG0–SPRG7	Unaffected ¹
SRR0	Unaffected ¹
SRR1	Unaffected ¹
SVR ³	—
TBL	Unaffected ¹
TBU	Unaffected ¹
TCR	0x0000_0000
TLB0CFG– TLB1CFG	—
TSR	Undefined on power-on reset; otherwise, 0x(0b00IIWRS)000_0000
USPRG0	Unaffected ¹
XER	0x0000_0000

¹ Undefined on *m_por* assertion, unchanged on *p_reset_b* assertion.

² For CTXCR 0 only, others unaffected.

³ Read-only register.

2.19 Parallel Signature Unit Registers

To support applications requiring system integrity checking during operation, the e200z3 provides a Parallel Signature unit to monitor the CPU data read and data write AHB buses and to accumulate a pair of 32-bit MISR signatures of the data values transferred over these buses.

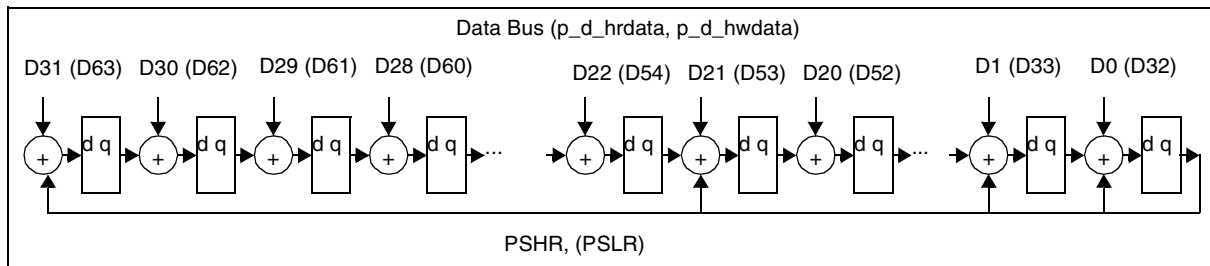
The primitive polynomial used is $P(X)=1+X^{10}+X^{30}+X^{31}+X^{32}$. Values are accumulated based on an initially programmed seed value and are qualified based on active byte lanes of the data read and data write buses (*p_d_hrddata[63:0]*, *p_d_hwddata[63:0]*) as indicated via the *p_d_hbstrb[7:0]* signals. Inactive byte lanes use a value of all zeros as input data to the MISRs. Refer to [Table 7-6](#) for active byte lane information. If a transfer error occurs on any accumulated read data, the returned read data is ignored, a value of all zeros is used instead, and the error is logged. Errors occurring on data writes are not logged, since the data driven by the CPU is valid.

The unit can be independently enabled for read cycles and write cycles, allowing for flexible usage. Software can also control accumulation of software-provided values via a pair of update registers. In addition, there is a counter for software to monitor the number of beats of data compressed.

Updates are performed when the parallel signature registers are initialized, when a qualified bus cycle is terminated, when a software update is performed via a high or low update register, and when the parallel signature high or low registers are written with an **mtdcr** instruction.

NOTE

Updates due to qualified bus transfers are suppressed for the duration of a debug session.



The parallel signature unit consists of seven registers as described in this section. Access to these registers is privileged. No user-mode access is allowed.

NOTE

Proper access of the PSU registers requires an **mfocr** that reads a PSU register to be preceded by either **mbar** or **msync**. To ensure that the effects of an **mtocr** to one of the PSU registers takes effect, the **mtocr** is followed by a context synchronizing instruction (**sc**, **isync**, **rfi**, **rfdi**).

2.19.1 Parallel Signature Control Register (PSCR)

PSCR, shown in [Figure 2-55](#), controls operation of the parallel signature unit.

	32	57	58	59	60	61	62	63
Field	—			CNTEN	—	RDEN	WREN	INIT
Reset	All zeros							
R/W	R/W							
DCR	DCR 272							

Figure 2-55. Parallel Signature Control Register (PSCR)

PSCR field descriptions are shown in [Table 2-42](#).

Table 2-42. PSCR Field Descriptions

Bits	Name	Description
32–57	—	Reserved, should be cleared.
58	CNTEN	Counter enable. 0 Counter is disabled. 1 Counter is enabled. Counter is incremented on every accumulated transfer or on an mtdcr psulr,rS .
59–60	—	Reserved, should be cleared.
61	RDEN	Read enable. 0 Processor data read cycles are ignored. 1 Processor data reads cycles are accumulated. For inactive byte lanes, zeros are used for the data values.
62	WREN	Write enable. 0 Processor write cycles are ignored. 1 Processor write cycles are accumulated. For inactive byte lanes, zeros are used for the data values.
63	INIT	This bit can be written with a 1 to set the values in the PSHR, PSLR, and PSCTR registers to all 0s. (0x00000000). This bit always reads as 0.

2.19.2 Parallel Signature Status Register (PSSR)

PSSR, shown in [Figure 2-56](#), provides status relative to operation of the parallel signature unit.

	32	62	63
Field	—		TERR
Reset	Unaffected		
R/W	—		w1c
DCR	DCR 273		

Figure 2-56. Parallel Signature Status Register (PSSR)

The PSSR register fields are described in [Table 2-43](#).

Table 2-43. PSSR Field Descriptions

Bits	Name	Description
32–62	—	Reserved, should be cleared.
63	TERR	Transfer error status. Indicates whether a transfer error occurs on accumulated read data and that the read data values returned are ignored and 0s are used instead. Hardware does not clear TERR; only a software write of 1 to TERR clears it. 0 No transfer error on accumulated read data since software last cleared this bit. 1 A transfer error occurred on accumulated read data since software last cleared this bit.

2.19.3 Parallel Signature High Register (PSHR)

The PSHR, shown in [Figure 2-57](#), provides signature information for the high word (bits 63–32) of the AHB data read and data write buses. Writing PSHR initializes a seed value before enabling signature

accumulation. PSCR[INIT] may also be used to clear the PSHR. PSHR is unaffected by system reset, thus should be initialized by software before performing parallel signature operations.

	32	63
Field	High signature	
Reset	Unaffected	
R/W	R/W	
DCR	DCR 274	

Figure 2-57. Parallel Signature High Register (PSHR)

2.19.4 Parallel Signature Low Register (PSLR)

PSLR, shown in [Figure 2-58](#), provides signature information for the low word (bits 31-0) of the AHB data read and data write buses. Writing PSLR initializes a seed value prior to enabling signature accumulation. PSCR[INIT] can also be used to clear the PSLR. PSLR is unaffected by system reset, thus should be initialized by software prior to performing parallel signature operations.

	32	63
Field	Low signature	
Reset	Unaffected	
R/W	R/W	
DCR	DCR 275	

Figure 2-58. Parallel Signature Low Register (PSLR)

2.19.5 Parallel Signature Counter Register (PSCTR)

PSCTR, shown in [Figure 2-59](#), provides count information for signature accumulation. It is incremented on every accumulated transfer or on an **mtdcr psulr,rS**. Writing to PSCTR initializes a value before enabling signature accumulation. PSCR[INIT] can also be used to clear PSCTR. PSCTR is unaffected by system reset, thus should be initialized by software before performing parallel signature operations.

	32	63
Field	Counter	
Reset	Unaffected	
R/W	R/W	
DCR	DCR 276	

Figure 2-59. Parallel Signature Counter Register (PSCTR)

2.19.6 Parallel Signature Update High Register (PSUHR)

PSUHR, shown in [Figure 2-60](#), updates the high signature value via software. It can be written via an **mtcdr psuhr, rS** instruction to cause signature accumulation to occur in the PSHR using the data value written. Writing to this register does not cause the PSCTR to increment.

	32	63
Field	High signature update data	
Reset	Unaffected	
R/W	Write only	
DCR	DCR 277	

Figure 2-60. Parallel Signature Update High Register (PSUHR)

2.19.7 Parallel Signature Update Low Register (PSULR)

PSULR, shown in [Figure 2-61](#), updates the low signature value via software. Writing to PSULR causes signature accumulation in the parallel signature low register (PSLR) using the data value written. Writing to this register causes PSCTR to increment.

	32	63
Field	Low signature update data	
Reset	Unaffected	
R/W	Write only	
DCR	DCR 278	

Figure 2-61. Parallel Signature Update Low Register (PSULR)

Chapter 3

Instruction Model

This chapter provides additional information about the Book E architecture as it relates specifically to the e200z3 and e200z335 cores.

The e200z3 is a 32-bit implementation of the Book E architecture. The Book E architecture specification includes a recognition that different processor implementations may require clarifications, extensions, or deviations from the architectural descriptions. Book E instructions are described in the *EREF: A Programmer's Reference Manual for Freescale Book E Processors*.

3.1 Operand Conventions

This section describes operand conventions as they are represented in the Book E architecture. These conventions follow the basic descriptions in the classic PowerPC architecture with some changes in terminology. For example, distinctions between user- and supervisor-level instructions are maintained, but the designations—UISA, VEA, and OEA—do not apply. Detailed descriptions are provided on conventions used for storing values in registers and memory, for accessing processor registers, and for representing data in these registers.

3.1.1 Data Organization in Memory and Data Transfers

Bytes in memory are numbered consecutively starting with 0. Each number is the address of the corresponding byte.

Memory operands can be bytes, half-words, words, or double-words (consisting of two 32-bit elements) or, for the load/store multiple instruction type, a sequence of bytes or words. The address of a memory operand is the address of its first byte (that is, of its lowest-numbered byte). Operand length is implicit for each instruction.

3.1.2 Alignment and Misaligned Accesses

The e200z3 core provides hardware support for misaligned memory accesses; however, there is performance degradation for accesses that cross a 64-bit (8-byte) boundary. For loads that hit in the cache, the throughput of the load/store unit is degraded to 1 misaligned load every 2 cycles. Stores misaligned across a 64-bit (8 byte) boundary can be translated at a rate of 2 cycles per store. Frequent use of misaligned memory accesses is discouraged because of the impact on performance.

NOTE

Accesses that cross a translation boundary may be restarted. A misaligned access that crosses a page boundary is restarted entirely if the second portion of the access causes a TLB miss. This may result in the first portion being accessed twice.

Accesses that cross a translation boundary where the endianness changes cause a byte-ordering data storage interrupt.

Note that **lmw**, **stmw**, **lwarx**, and **stwx**. instructions that are not word aligned cause an alignment exception.

3.1.3 e200z3 Floating-Point Implementation

The e200z3 core does not implement the floating-point instructions as they are defined in Book E. Attempts to execute a Book E–defined floating-point instruction result in an illegal instruction exception. However, the vector SPFP APU supports single-precision vector (64-bit, two 32-bit operand) instructions, and the scalar SPFP APU performs single-precision floating-point operations using the lower 32 bits of the GPRs. These instructions are described in [Section 3.10.6, “Embedded Vector and Scalar Single-Precision Floating-Point APU Instructions.”](#) Unlike the PowerPC UISA, the SPFP APUs store floating-point values as single-precision values in true 32-bit, single-precision format rather than in a 64-bit double-precision format used with FPRs.

3.2 Unsupported Instructions and Instruction Forms

Because the e200z3 is a 32-bit Book E core, all of the instructions defined for 64-bit implementations of the Book E architecture are illegal on the e200z3 and cause an illegal instruction exception type program interruption the e200z3. The e200z3 core does not support the instructions listed in [Table 3-1](#). An unimplemented instruction or floating-point-unavailable exception is generated if the processor attempts to execute one of these instructions.

Table 3-1. List of Unsupported Instructions

Type/Name	Mnemonics
String Instructions	lswi, lswx, stswi, stswx
Floating Point Instructions	fxxxx, lfxxxx, sfxxxx, mcrfs, mffs, mtfxxx
Device control register and Move from APID	mfapidi, mfdcrx, mtdcrx

3.3 Optionally Supported Instructions and Instruction Forms

The e200z3 core optionally supports the instructions listed in [Table 3-2](#) if a cache and/or TLB is present. An instruction exception may be generated if the processor attempts to execute one of these instructions and the related functional block is not present, or the specific instruction may be treated as a no-op.

Table 3-2. List of Optionally Supported Instructions

Type/Name	Mnemonics	Unit
Cache management instructions	dcba, dcbf, dcbi, dcbt, dcbtst, dcbst, dcbz icbi, icbt	Data cache/unified cache Instruction cache/unified cache
Cache locking instructions	dcbtls, dcibtstls, dcblc icbtls, icblc	Data cache/unified cache Instruction cache/unified cache
TLB management instructions	tlbivax, tlbre, tlbsx, tlbsync, tlbwe	TLB
DCR management	mfdcr, mtdcr	DCR

3.4 Implementation-Specific Instructions

Book E defines some instructions that are implementation specific. [Table 3-3](#) summarizes the e200z3 implementation-specific instructions.

Table 3-3. Implementation-Specific Instruction Summary

Mnemonic	Implementation Details
mfapidi	Unimplemented instructions
mfdcrx, mtdcrx	
stwcx.	Address match with prior lwarx not required for store to be performed
mfdcr, mtdcr ¹	Optionally supported instructions
tlbivax	
tlbre	
tlbsx	
tlbsync	
tlbwe	

¹ The e200z3 CPU takes an illegal instruction interrupt for unsupported DCR values

3.5 BookE Instruction Extensions

The variable length encoding (VLE) provides an extension to 32-bit PowerPC Book E. There are additional operations defined using an alternate instruction encoding to enable reduced code footprint. This alternate encoding set is selected on an instruction page basis. A single page attribute bit selects between standard PowerPC Book E instruction encodings and VLE instructions for that page of memory. This page attribute is an extension to the PowerPC Book E page attributes. Pages can be freely intermixed, allowing for a mixture of code using both types of encodings.

Instruction encodings in pages marked as using the VLE extension are either 16 or 32 bits long, and are aligned on 16-bit boundaries. Therefore, all instruction pages marked as VLE are required to use big-endian byte ordering.

This section describes the various extensions to Book E instructions to support the VLE extension.

rfdi, rfdi, rfi—no longer mask bit 62 of CSRR0, DSRR0, or SRR0 respectively. The destination address is [D,C]SRR0[32:62] || 0b0.

bclr, bclrl, bcctr, bcctrl—no longer mask bit 62 of the LR or CTR respectively. The destination address is [LR,CTR][32:62] || 0b0.

3.6 Memory Access Alignment Support

The e200z3 core provides hardware support for unaligned memory accesses. However, there is a performance degradation for accesses that cross a 64-bit (8 byte) boundary. For these cases, the throughput of the load/store unit is degraded to one misaligned load every 2 cycles. Stores misaligned across a 64-bit (8 byte) boundary can be translated at a rate of 2 cycles per store. Frequent use of unaligned memory accesses is discouraged because of the impact on performance.

Note:

Accesses that cross a translation boundary may be restarted. A misaligned access that crosses a page boundary is restarted in its entirety in the event of a TLB miss of the second portion of the access. This may result in the first portion being accessed twice.

Accesses that cross a translation boundary where endianness changes cause a byte-ordering data storage interrupt.

3.7 Memory Synchronization and Reservation Instructions

Table 3-4 lists the e200z3 implementation details for the memory synchronization and load and store with reservation instructions.

Table 3-4. Memory Synchronization and Reservation Instructions—e200z3-Specific Details

Instruction	e200z3 Implementation
msync	Provides synchronization and memory barrier functions. msync completes only after all preceding instructions and data memory accesses complete. Subsequent instructions in the stream are not dispatched until after the msync ensures these functions have been performed.

Table 3-4. Memory Synchronization and Reservation Instructions—e200z3-Specific Details (continued)

Instruction	e200z3 Implementation
mbar	Behaves identically to msync ; the mbar MO field is ignored by the e200z3 core.
lwarx/stwcx.	<p>Implemented as described in the <i>EREF</i>. If the EA for either instruction is not a multiple of four, an alignment interrupt is invoked. The e200z3 allows lwarx and stwcx. to access a page marked as write-through required without invoking a data storage interrupt.</p> <p>As Book E allows, the e200z3 does not require the EAs for a stwcx. and the preceding lwarx to be to the same reservation granule.</p> <p>Reservation granularity is implementation dependent. The e200z3 does not define a reservation granule explicitly; it is defined by external logic. When no external logic is provided, the e200z3 does not compare addresses; thus, the effective implementation granularity is null.</p> <p>The e200z3 implements an internal status flag, HID1[ATS], which is set when an lwarx completes without error. It remains set until it is cleared by one of the following:</p> <ul style="list-style-type: none"> • An stwcx. executes without error • The e200z3 core <i>p_rsrv_clr</i> input is asserted. See Chapter 7, “External Core Complex Interfaces.” • The reservation is invalidated when an external interrupt or non-maskable interrupt (in e200z335 only) is signaled and HID0[ICR] is set. <p>The e200z3 treats lwarx and stwcx. as cache-inhibited and guarded, regardless of page attributes.</p> <p>The e200z3 core input <i>p_xfail_b</i> is sampled at termination of an stwcx. store transfer to allow an external agent or mechanism to indicate that the stwcx. failed to update memory, even though a reservation existed for the store when it was issued. This is not considered an error and causes the condition codes for the stwcx. to be written as if it had no reservation. Also, any outstanding reservation is cleared.</p>

3.8 Branch Prediction

The e200z3 instruction fetching mechanism uses a branch target buffer (BTB), which holds branch target addresses combined with a 2-bit saturating up-down counter scheme for branch prediction. These bits can take four values: strongly taken, weakly taken, weakly not taken, and strongly not taken. This mechanism is described in [Section 6.3.5, “Change-of-Flow Instruction Pipeline Operation.”](#)

Branch paths are predicted by a BTB and subsequently checked to see if the prediction was correct. This enables operation beyond a conditional branch without waiting for the branch to be decoded and resolved. The instruction fetch unit predicts the direction of the branch as follows:

- Predict not taken for any branch whose fetch address misses in the BTB or hits in the BTB and is predicted not taken by the counter.
- Predict taken for any branch that hits in the BTB and is predicted taken by the counter.

Note that the static branch prediction bit defined by the Book E architecture in the BO operand is ignored.

3.9 Interruption of Instructions by Interrupt Requests

In general, the e200z3 core samples pending non-maskable interrupts (in e200z335 only), external input and critical input interrupt requests at instruction boundaries. However, in order to reduce interrupt latency, long-running instructions may be interrupted prior to completion. Instructions in this class include divides (**divw[uo][.]**, **efsdw**, **evfdw**, **evdivw[su]**), Load Multiple Word (**lmw**), and Store Multiple Word (**stmw**). When an instruction is interrupted before completion, the value saved in SRR0/CSRR0 is the address of the interrupted instruction.

3.10 e200z3-Specific Instructions

The e200z3 core implements the following instructions that are not defined by the Book E architecture:

- The EIS-defined integer select (**isel**) APU consists of the **isel** instruction, described in [Section 3.10.1, “Integer Select APU.”](#)
- The Return from Debug Interrupt instruction (**rfdi**) is defined by the Freescale Book E debug APU. This instruction is described in [Section 3.10.2, “Debug APU.”](#)
- The **wait** instruction implements a wait for interrupt function and is described in [Section 3.10.3, “Wait APU \(e200z335 only\).](#) This instruction is implemented in the e200z335 only.
- The signal processing extension (SPE) APU provides a set of 64-bit SIMD instructions. These are listed in [Section 3.10.5, “SPE APU Instructions,”](#) and described in the *EREF*.
- The embedded vector and scalar single-precision floating-point APUs are listed along with supporting instructions in [Section 3.10.6, “Embedded Vector and Scalar Single-Precision Floating-Point APU Instructions.”](#) These instructions are described in detail in the *EREF*.

3.10.1 Integer Select APU

The integer select APU defines the Integer Select (**isel**) instruction, which provides a means to select one of two registers and place the result in a destination register under the control of a predicate value supplied by a bit in the condition register. **isel** can be used to eliminate branches in software and in many cases improve performance; it can also increase program execution time determinism by eliminating the need to predict the target and direction of the branches replaced by the integer select function.

The **isel** instruction form and definition are described in the *EREF*

3.10.2 Debug APU

The e200z3 implements the Freescale Book E debug APU to support the ability to handle the debug interrupt as an additional interrupt level. To support this interrupt level, the Return from Debug Interrupt instruction (**rfdi**) is defined as part of the debug APU, along with a pair of save/restore registers, DSRR0, and DSRR1.

When the debug APU is enabled ($HID0[DAPUEN] = 1$), **rfdi** provides a way to return from a debug interrupt. See [Section 2.13.1, “Hardware Implementation-Dependent Register 0 \(HID0\),”](#) for more information about enabling the debug APU.

The instruction form and definition is provided in the *EREF*.

3.10.3 Wait APU (e200z335 only)

The **wait** instruction allows software to cease all synchronous activity, waiting for an asynchronous interrupt to occur. The instruction can be used to cease processor activity in both user and supervisor modes. Asynchronous interrupts which will cause the waiting state to be exited if enabled are critical input, external input, machine check input. Nonmaskable interrupts will also cause the waiting state to be exited.

The instruction form and definition is provided in the *EREF*.

3.10.4 Volatile Context Save/Restore APU (e200z335 only)

The e200z335 implements the EIS Volatile Context Save/Restore APU to support the capability to quickly save and restore volatile register context on entry into an interrupt handler. To support this functionality, a new set of instructions is defined as part of the APU.

- e_ldmvgprw, e_stmvgprw - load/store multiple volatile gprs (r0, r3:r12)
- e_ldmvsprw, e_stmvsprw - load/store multiple volatile sprs (CR, LR, CTR, and XER)
- e_ldmvsrrw, e_stmvsrrw - load/store multiple volatile srrs (SRR0, SRR1)
- e_ldmvsrww, e_stmvsrww - load/store multiple volatile csrrs (CSRR0, CSRR1)
- e_ldmvsrww, e_stmvsrww - load/store multiple volatile dsrrs (DSRR0, DSRR1)

These instructions are available in VLE instruction pages to perform a multiple register load or store to a word aligned memory address.

3.10.5 SPE APU Instructions

SPE APU instructions treat 64-bit GPRs as a vector of two 32-bit elements. (Some instructions also read or write 16-bit elements.) The SPE APU supports a number of forms of multiply and multiply-accumulate operations, and of add and subtract to accumulator operations. The SPE supports signed and unsigned forms, and optional fractional forms. For these instructions, the fractional form does not apply to unsigned forms because integer and fractional forms are identical for unsigned operands.

Table 3-5 shows how SPE APU vector multiply instruction mnemonics are structured.

Table 3-5. SPE APU Vector Multiply Instruction Mnemonic Structure

Prefix	Multiply Element		Data Type Element		Accumulate Element	
evm	ho	half odd (16x16→32)	usi umi ssi ssf ¹ smi smf ¹	unsigned saturate integer unsigned modulo integer signed saturate integer signed saturate fractional signed modulo integer signed modulo fractional	a	write to ACC
	he	half even (16x16→32)			aa	write to ACC & added ACC
	hog	half odd guarded (16x16→32)			an	write to ACC & negate ACC
	heg	half even guarded (16x16→32)			aaw	write to ACC & ACC in words
	wh	word high (32x32→32)			anw	write to ACC & negate ACC in words
	wl	word low (32x32→32)				
	whg	word high guarded (32x32→32)				
	wlg	word low guarded (32x32→32)				
	w	word (32x32→64)				

¹ Low word versions of signed saturate and signed modulo fractional instructions are not supported. Attempting to execute an opcode corresponding to these instructions causes boundedly undefined results.

Table 3-6 defines mnemonic extensions for these instructions.

Table 3-6. Mnemonic Extensions for Multiply-Accumulate Instructions

Extension	Meaning	Comments
Multiply Form		
he	Half word even	16×16→32
heg	Half word even guarded	16×16→32, 64-bit final accumulator result
ho	Half word odd	16×16→32
hog	Half word odd guarded	16×16→32, 64-bit final accumulator result
w	Word	32×32→64
wh	Word high	32×32→32, high-order 32 bits of product
wl	Word low	32×32→32, low-order 32 bits of product
Data Type		
smf	Signed modulo fractional	(Wrap, no saturate)
smi	Signed modulo integer	(Wrap, no saturate)
ssf	Signed saturate fractional	
ssi	Signed saturate integer	
umi	Unsigned modulo integer	(Wrap, no saturate)
usi	Unsigned saturate integer	
Accumulate Options		
a	Update accumulator	Update accumulator (no add)
aa	Add to accumulator	Add result to accumulator (64-bit sum)
aaw	Add to accumulator (words)	Add word results to accumulator words (pair of 32-bit sums)
an	Add negated	Add negated result to accumulator (64-bit sum)
anw	Add negated to accumulator (words)	Add negated word results to accumulator words (pair of 32-bit sums)

Table 3-7 lists SPE APU instructions.

Table 3-7. SPE APU Vector Instructions

Instruction	Mnemonic	Syntax
Bit Reversed Increment ¹	brinc	rD,rA,rB
Initialize Accumulator	evmra	rD,rA
Multiply Half Words, Even, Guarded, Signed, Modulo, Fractional and Accumulate	evmhsgmfaa	rD,rA,rB
Multiply Half Words, Even, Guarded, Signed, Modulo, Fractional and Accumulate Negative	evmhsgmfan	rD,rA,rB
Multiply Half Words, Even, Guarded, Signed, Modulo, Integer and Accumulate	evmhsgmiaa	rD,rA,rB
Multiply Half Words, Even, Guarded, Signed, Modulo, Integer and Accumulate Negative	evmhsgmian	rD,rA,rB
Multiply Half Words, Even, Guarded, Unsigned, Modulo, Integer and Accumulate	evmhgumiaa	rD,rA,rB
Multiply Half Words, Even, Guarded, Unsigned, Modulo, Integer and Accumulate Negative	evmhgumian	rD,rA,rB
Multiply Half Words, Odd, Guarded, Signed, Modulo, Fractional and Accumulate	evmhogsmfaa	rD,rA,rB
Multiply Half Words, Odd, Guarded, Signed, Modulo, Fractional and Accumulate Negative	evmhogsmfan	rD,rA,rB
Multiply Half Words, Odd, Guarded, Signed, Modulo, Integer and Accumulate	evmhogsmiaa	rD,rA,rB
Multiply Half Words, Odd, Guarded, Signed, Modulo, Integer and Accumulate Negative	evmhogsmian	rD,rA,rB
Multiply Half Words, Odd, Guarded, Unsigned, Modulo, Integer and Accumulate	evmhogumiaa	rD,rA,rB
Multiply Half Words, Odd, Guarded, Unsigned, Modulo, Integer and Accumulate Negative	evmhogumian	rD,rA,rB
Vector Absolute Value	evabs	rD,rA
Vector Add Immediate Word	evaddiw	rD,rB,UIMM
Vector Add Signed, Modulo, Integer to Accumulator Word	evaddsmiaaw	rD,rA
Vector Add Signed, Saturate, Integer to Accumulator Word	evaddssiaaw	rD,rA
Vector Add Unsigned, Modulo, Integer to Accumulator Word	evaddumiaaw	rD,rA
Vector Add Unsigned, Saturate, Integer to Accumulator Word	evaddusiaaw	rD,rA
Vector Add Word	evaddw	rD,rA,rB
Vector AND	evand	rD,rA,rB
Vector AND with Complement	evandc	rD,rA,rB
Vector Compare Equal	evcmpeq	crD,rA,rB
Vector Compare Greater Than Signed	evcmpgts	crD,rA,rB
Vector Compare Greater Than Unsigned	evcmpgtu	crD,rA,rB
Vector Compare Less Than Signed	evcmplt	crD,rA,rB
Vector Compare Less Than Unsigned	evcmpltu	crD,rA,rB
Vector Convert Floating-Point from Signed Fraction	evfscfsf	rD,rB
Vector Convert Floating-Point from Signed Integer	evfscfsi	rD,rB
Vector Convert Floating-Point from Unsigned Fraction	evfscfuf	rD,rB
Vector Convert Floating-Point from Unsigned Integer	evfscfui	rD,rB
Vector Convert Floating-Point to Signed Fraction	evfsctsf	rD,rB
Vector Convert Floating-Point to Signed Integer	evfsctsi	rD,rB

Table 3-7. SPE APU Vector Instructions (continued)

Instruction	Mnemonic	Syntax
Vector Convert Floating-Point to Signed Integer with Round toward Zero	evfsctsiz	rD,rB
Vector Convert Floating-Point to Unsigned Fraction	evfsctuf	rD,rB
Vector Convert Floating-Point to Unsigned Integer	evfsctui	rD,rB
Vector Convert Floating-Point to Unsigned Integer with Round toward Zero	evfsctuiZ	rD,rB
Vector Count Leading Sign Bits Word	evcntlsw	rD,rA
Vector Count Leading Zeros Word	evcntlzw	rD,rA
Vector Divide Word Signed	evdivws	rD,rA,rB
Vector Divide Word Unsigned	evdivwu	rD,rA,rB
Vector Equivalent	eveqv	rD,rA,rB
Vector Extend Sign Byte	evextsb	rD,rA
Vector Extend Sign Half Word	evextsh	rD,rA
Vector Floating-Point Absolute Value	evfsabs	rD,rA
Vector Floating-Point Add	evfsadd	rD,rA,rB
Vector Floating-Point Compare Equal	evfscmpeq	crD,rA,rB
Vector Floating-Point Compare Greater Than	evfscmpgt	crD,rA,rB
Vector Floating-Point Compare Less Than	evfscmplt	crD,rA,rB
Vector Floating-Point Divide	evfsdiv	rD,rA,rB
Vector Floating-Point Multiply	evfsmul	rD,rA,rB
Vector Floating-Point Negate	evfsneg	rD,rA
Vector Floating-Point Negative Absolute Value	evfsnabs	rD,rA
Vector Floating-Point Subtract	evfssub	rD,rA,rB
Vector Floating-Point Test Equal	evfststeq	crD,rA,rB
Vector Floating-Point Test Greater Than	evfststgt	crD,rA,rB
Vector Floating-Point Test Less Than	evfststlt	crD,rA,rB
Vector Load Double into Half Words	evldh	rD,d(rA)
Vector Load Double into Half Words Indexed	evldhx	rD,rA,rB
Vector Load Double into Two Words	evldw	rD,d(rA)
Vector Load Double into Two Words Indexed	evldwx	rD,rA,rB
Vector Load Double Word into Double Word	evldd	rD,d(rA)
Vector Load Double Word into Double Word Indexed	evlddx	rD,rA,rB
Vector Load Half Word into Half Word Odd Signed and Splat	evlhossplat	rD,d(rA)
Vector Load Half Word into Half Word Odd Signed and Splat Indexed	evlhossplatx	rD,rA,rB
Vector Load Half Word into Half Word Odd Unsigned and Splat	evlhousplat	rD,d(rA)
Vector Load Half Word into Half Word Odd Unsigned and Splat Indexed	evlhousplatx	rD,rA,rB
Vector Load Half Word into Half Words Even and Splat	evlhhesplat	rD,d(rA)

Table 3-7. SPE APU Vector Instructions (continued)

Instruction	Mnemonic	Syntax
Vector Load Half Word into Half Words Even and Splat Indexed	evlhhesplatx	rD,rA,rB
Vector Load Word into Half Words and Splat	evlwhsplat	rD,d(rA)
Vector Load Word into Half Words and Splat Indexed	evlwhsplatx	rD,rA,rB
Vector Load Word into Half Words Odd Signed (with sign extension)	evlwhos	rD,d(rA)
Vector Load Word into Half Words Odd Signed Indexed (with sign extension)	evlwhosx	rD,rA,rB
Vector Load Word into Two Half Words Even	evlwhe	rD,d(rA)
Vector Load Word into Two Half Words Even Indexed	evlwhex	rD,rA,rB
Vector Load Word into Two Half Words Odd Unsigned (zero-extended)	evlwhou	rD,d(rA)
Vector Load Word into Two Half Words Odd Unsigned Indexed (zero-extended)	evlwhoux	rD,rA,rB
Vector Load Word into Word and Splat	evlwwsplat	rD,d(rA)
Vector Load Word into Word and Splat Indexed	evlwwsplatx	rD,rA,rB
Vector Merge High	evmergehi	rD,rA,rB
Vector Merge High/Low	evmergehilo	rD,rA,rB
Vector Merge Low	evmergelo	rD,rA,rB
Vector Merge Low/High	evmergelohi	rD,rA,rB
Vector Multiply Half Words, Even, Signed, Modulo, Fractional	evmhesmf	rD,rA,rB
Vector Multiply Half Words, Even, Signed, Modulo, Fractional and Accumulate into Words	evmhesmfaaw	rD,rA,rB
Vector Multiply Half Words, Even, Signed, Modulo, Fractional and Accumulate Negative into Words	evmhesmfanw	rD,rA,rB
Vector Multiply Half Words, Even, Signed, Modulo, Fractional, Accumulate	evmhesmfa	rD,rA,rB
Vector Multiply Half Words, Even, Signed, Modulo, Integer	evmhesmi	rD,rA,rB
Vector Multiply Half Words, Even, Signed, Modulo, Integer and Accumulate into Words	evmhesmiaaw	rD,rA,rB
Vector Multiply Half Words, Even, Signed, Modulo, Integer and Accumulate Negative into Words	evmhesmianw	rD,rA,rB
Vector Multiply Half Words, Even, Signed, Modulo, Integer, Accumulate	evmhesmia	rD,rA,rB
Vector Multiply Half Words, Even, Signed, Saturate, Fractional	evmhessf	rD,rA,rB
Vector Multiply Half Words, Even, Signed, Saturate, Fractional and Accumulate into Words	evmhessfaaw	rD,rA,rB
Vector Multiply Half Words, Even, Signed, Saturate, Fractional and Accumulate Negative into Words	evmhessfanw	rD,rA,rB
Vector Multiply Half Words, Even, Signed, Saturate, Fractional, Accumulate	evmhessfa	rD,rA,rB
Vector Multiply Half Words, Even, Signed, Saturate, Integer and Accumulate into Words	evmhessiaaw	rD,rA,rB
Vector Multiply Half Words, Even, Signed, Saturate, Integer and Accumulate Negative into Words	evmhessianw	rD,rA,rB
Vector Multiply Half Words, Even, Unsigned, Modulo, Integer	evmheumi	rD,rA,rB
Vector Multiply Half Words, Even, Unsigned, Modulo, Integer and Accumulate into Words	evmheumiaaw	rD,rA,rB

Table 3-7. SPE APU Vector Instructions (continued)

Instruction	Mnemonic	Syntax
Vector Multiply Half Words, Even, Unsigned, Modulo, Integer and Accumulate Negative into Words	evmheumianw	rD,rA,rB
Vector Multiply Half Words, Even, Unsigned, Modulo, Integer, Accumulate	evmheumia	rD,rA,rB
Vector Multiply Half Words, Even, Unsigned, Saturate, Integer and Accumulate into Words	evmheusiaaw	rD,rA,rB
Vector Multiply Half Words, Even, Unsigned, Saturate, Integer and Accumulate Negative into Words	evmheusianw	rD,rA,rB
Vector Multiply Half Words, Odd, Signed, Modulo, Fractional	evmhosmf	rD,rA,rB
Vector Multiply Half Words, Odd, Signed, Modulo, Fractional and Accumulate into Words	evmhosmfaaw	rD,rA,rB
Vector Multiply Half Words, Odd, Signed, Modulo, Fractional and Accumulate Negative into Words	evmhosmfanw	rD,rA,rB
Vector Multiply Half Words, Odd, Signed, Modulo, Fractional, Accumulate	evmhosmfa	rD,rA,rB
Vector Multiply Half Words, Odd, Signed, Modulo, Integer	evmhosmi	rD,rA,rB
Vector Multiply Half Words, Odd, Signed, Modulo, Integer and Accumulate into Words	evmhosmiaaw	rD,rA,rB
Vector Multiply Half Words, Odd, Signed, Modulo, Integer and Accumulate Negative into Words	evmhosmianw	rD,rA,rB
Vector Multiply Half Words, Odd, Signed, Modulo, Integer, Accumulate	evmhosmia	rD,rA,rB
Vector Multiply Half Words, Odd, Signed, Saturate, Fractional	evmhossf	rD,rA,rB
Vector Multiply Half Words, Odd, Signed, Saturate, Fractional and Accumulate into Words	evmhossfaaw	rD,rA,rB
Vector Multiply Half Words, Odd, Signed, Saturate, Fractional and Accumulate Negative into Words	evmhossfanw	rD,rA,rB
Vector Multiply Half Words, Odd, Signed, Saturate, Fractional, Accumulate	evmhossfa	rD,rA,rB
Vector Multiply Half Words, Odd, Signed, Saturate, Integer and Accumulate into Words	evmhossiaaw	rD,rA,rB
Vector Multiply Half Words, Odd, Signed, Saturate, Integer and Accumulate Negative into Words	evmhossianw	rD,rA,rB
Vector Multiply Half Words, Odd, Unsigned, Modulo, Integer	evmhoumi	rD,rA,rB
Vector Multiply Half Words, Odd, Unsigned, Modulo, Integer and Accumulate into Words	evmhoumiaaw	rD,rA,rB
Vector Multiply Half Words, Odd, Unsigned, Modulo, Integer and Accumulate Negative into Words	evmhoumianw	rD,rA,rB
Vector Multiply Half Words, Odd, Unsigned, Modulo, Integer, Accumulate	evmhoumia	rD,rA,rB
Vector Multiply Half Words, Odd, Unsigned, Saturate, Integer and Accumulate into Words	evmhousiaaw	rD,rA,rB
Vector Multiply Half Words, Odd, Unsigned, Saturate, Integer and Accumulate Negative into Words	evmhousianw	rD,rA,rB
Vector Multiply Word High Signed, Modulo, Fractional	evmwhsmf	rD,rA,rB
Vector Multiply Word High Signed, Modulo, Fractional and Accumulate	evmwhsmfa	rD,rA,rB
Vector Multiply Word High Signed, Modulo, Integer	evmwhsmi	rD,rA,rB
Vector Multiply Word High Signed, Modulo, Integer and Accumulate	evmwhsmia	rD,rA,rB
Vector Multiply Word High Signed, Saturate, Fractional	evmwhssf	rD,rA,rB
Vector Multiply Word High Signed, Saturate, Fractional and Accumulate	evmwhssfa	rD,rA,rB

Table 3-7. SPE APU Vector Instructions (continued)

Instruction	Mnemonic	Syntax
Vector Multiply Word High Unsigned, Modulo, Integer	evmwhumi	rD,rA,rB
Vector Multiply Word High Unsigned, Modulo, Integer and Accumulate	evmwhumia	rD,rA,rB
Vector Multiply Word Low Signed, Modulo, Integer and Accumulate in Words	evmwlsmiaaw	rD,rA,rB
Vector Multiply Word Low Signed, Modulo, Integer and Accumulate Negative in Words	evmwlsnianw	rD,rA,rB
Vector Multiply Word Low Signed, Saturate, Integer and Accumulate in Words	evmwlssiaaw	rD,rA,rB
Vector Multiply Word Low Signed, Saturate, Integer and Accumulate Negative in Words	evmwlsnianw	rD,rA,rB
Vector Multiply Word Low Unsigned, Modulo, Integer	evmwlsmi	rD,rA,rB
Vector Multiply Word Low Unsigned, Modulo, Integer and Accumulate	evmwlumia	rD,rA,rB
Vector Multiply Word Low Unsigned, Modulo, Integer and Accumulate in Words	evmwlumiaaw	rD,rA,rB
Vector Multiply Word Low Unsigned, Modulo, Integer and Accumulate Negative in Words	evmwlumianw	rD,rA,rB
Vector Multiply Word Low Unsigned, Saturate, Integer and Accumulate in Words	evmwlusiaaw	rD,rA,rB
Vector Multiply Word Low Unsigned, Saturate, Integer and Accumulate Negative in Words	evmwlusianw	rD,rA,rB
Vector Multiply Word Signed, Modulo, Fractional	evmwsmf	rD,rA,rB
Vector Multiply Word Signed, Modulo, Fractional and Accumulate	evmwsmfa	rD,rA,rB
Vector Multiply Word Signed, Modulo, Fractional and Accumulate	evmwsmfaa	rD,rA,rB
Vector Multiply Word Signed, Modulo, Fractional and Accumulate Negative	evmwsmfan	rD,rA,rB
Vector Multiply Word Signed, Modulo, Integer	evmwsmi	rD,rA,rB
Vector Multiply Word Signed, Modulo, Integer and Accumulate	evmwsmia	rD,rA,rB
Vector Multiply Word Signed, Modulo, Integer and Accumulate	evmwsmiaa	rD,rA,rB
Vector Multiply Word Signed, Modulo, Integer and Accumulate Negative	evmwsmian	rD,rA,rB
Vector Multiply Word Signed, Saturate, Fractional	evmwssf	rD,rA,rB
Vector Multiply Word Signed, Saturate, Fractional and Accumulate	evmwssfafa	rD,rA,rB
Vector Multiply Word Signed, Saturate, Fractional and Accumulate	evmwssfafa	rD,rA,rB
Vector Multiply Word Signed, Saturate, Fractional and Accumulate Negative	evmwssfafa	rD,rA,rB
Vector Multiply Word Unsigned, Modulo, Integer	evmwumi	rD,rA,rB
Vector Multiply Word Unsigned, Modulo, Integer and Accumulate	evmwumia	rD,rA,rB
Vector Multiply Word Unsigned, Modulo, Integer and Accumulate	evmwumiaa	rD,rA,rB
Vector Multiply Word Unsigned, Modulo, Integer and Accumulate Negative	evmwumian	rD,rA,rB
Vector NAND	evnand	rD,rA,rB
Vector Negate	evneg	rD,rA
Vector NOR	evnor	rD,rA,rB
Vector OR	evor	rD,rA,rB
Vector OR with Complement	evorc	rD,rA,rB
Vector Rotate Left Word	evrlw	rD,rA,rB
Vector Rotate Left Word Immediate	evrlwi	rD,rA,UIMM

Table 3-7. SPE APU Vector Instructions (continued)

Instruction	Mnemonic	Syntax
Vector Round Word	evrndw	rD,rA
Vector Select	evsel	rD,rA,rB,crS
Vector Shift Left Word	evslw	rD,rA,rB
Vector Shift Left Word Immediate	evslwi	rD,rA,UIMM
Vector Shift Right Word Immediate Signed	evsrwis	rD,rA,UIMM
Vector Shift Right Word Immediate Unsigned	evsrwiu	rD,rA,UIMM
Vector Shift Right Word Signed	evsrws	rD,rA,rB
Vector Shift Right Word Unsigned	evsrwu	rD,rA,rB
Vector Splat Fractional Immediate	evsplatfi	rD,SIMM
Vector Splat Immediate	evsplat	rD,SIMM
Vector Store Double of Double	evstd	rS,d(rA)
Vector Store Double of Double Indexed	evstddx	rS,rA,rB
Vector Store Double of Four Half Words	evstdh	rS,d(rA)
Vector Store Double of Four Half Words Indexed	evstdhx	rS,rA,rB
Vector Store Double of Two Words	evstdw	rS,d(rA)
Vector Store Double of Two Words Indexed	evstdwx	rS,rA,rB
Vector Store Word of Two Half Words from Even	evstwhe	rS,d(rA)
Vector Store Word of Two Half Words from Even Indexed	evstwhex	rS,rA,rB
Vector Store Word of Two Half Words from Odd	evstwho	rS,d(rA)
Vector Store Word of Two Half Words from Odd Indexed	evstwhox	rS,rA,rB
Vector Store Word of Word from Even	evstwwe	rS,d(rA)
Vector Store Word of Word from Even Indexed	evstwwex	rS,rA,rB
Vector Store Word of Word from Odd	evstwwo	rS,d(rA)
Vector Store Word of Word from Odd Indexed	evstwwox	rS,rA,rB
Vector Subtract from Word	evsubfw	rD,rA,rB
Vector Subtract Immediate from Word	evsubifw	rD,UIMM,rB
Vector Subtract Signed, Modulo, Integer to Accumulator Word	evsubfsmiaaw	rD,rA
Vector Subtract Signed, Saturate, Integer to Accumulator Word	evsubfssiaaw	rD,rA
Vector Subtract Unsigned, Modulo, Integer to Accumulator Word	evsubfumiaaw	rD,rA
Vector Subtract Unsigned, Saturate, Integer to Accumulator Word	evsubfusiaaw	rD,rA
Vector XOR	evxor	rD,rA,rB

¹ An implementation can restrict the number of bits specified in a mask. The e200z3 limits it to 16 bits, which allows the user to perform bit-reversed address computations for 65536-byte samples.

3.10.6 Embedded Vector and Scalar Single-Precision Floating-Point APU Instructions

The vector and scalar SPFP APUs perform floating-point operations on single-precision operands. These operations are IEEE-compliant with software interrupt handlers and offer a simpler interrupt model than the floating-point instructions defined by the PowerPC ISA. Instead of FPRs, these instructions use GPRs and offer improved performance for converting between floating-point, integer, and fractional values. Sharing GPRs allows vector floating-point instructions to use SPE load and store instructions.

The two SPFP APUs are described as follows:

- Vector SPFP instructions operate on a vector of two 32-bit, single-precision floating-point numbers that reside in the upper and lower halves of the 64-bit GPRs. These instructions are listed in [Table 3-8](#) alongside their scalar equivalents.
- Scalar SPFP instructions operate on single 32-bit operands that reside in the lower 32 bits of the GPRs. These instructions are listed in [Table 3-8](#).

NOTE

Both the vector and scalar versions of the instructions have the same syntax.

Table 3-8. Vector and Scalar SPFP APU Floating-Point Instructions

Instruction	Mnemonic		Syntax
	Scalar	Vector	
Convert Floating-Point from Signed Fraction	efscfsf	evscfsf	rD,rB
Convert Floating-Point from Signed Integer	efscfsi	evscfsi	rD,rB
Convert Floating-Point from Unsigned Fraction	efscfuf	evscfuf	rD,rB
Convert Floating-Point from Unsigned Integer	efscfui	evscfui	rD,rB
Convert Floating-Point to Signed Fraction	efsctsf	evfsctsf	rD,rB
Convert Floating-Point to Signed Integer	efsctsi	evfsctsi	rD,rB
Convert Floating-Point to Signed Integer with Round toward Zero	efsctsiz	evfsctsiz	rD,rB
Convert Floating-Point to Unsigned Fraction	efsctuf	evfsctuf	rD,rB
Convert Floating-Point to Unsigned Integer	efsctui	evfsctui	rD,rB
Convert Floating-Point to Unsigned Integer with Round toward Zero	efsctuiz	evfsctuiz	rD,rB
Floating-Point Absolute Value	efsabs	evfsabs	rD,rA
Floating-Point Add	efsadd	evfsadd	rD,rA,rB
Floating-Point Compare Equal	efscmpeq	evfscmpeq	crD,rA,rB
Floating-Point Compare Greater Than	efscmpgt	evfscmpgt	crD,rA,rB
Floating-Point Compare Less Than	efscmplt	evfscmplt	crD,rA,rB
Floating-Point Divide	efsdiv	evfsdiv	rD,rA,rB
Floating-Point Multiply	efsmul	evfsmul	rD,rA,rB

Table 3-8. Vector and Scalar SPFP APU Floating-Point Instructions (continued)

Instruction	Mnemonic		Syntax
	Scalar	Vector	
Floating-Point Negate	efsneg	evfsneg	rD,rA
Floating-Point Negative Absolute Value	efsnabs	evfsnabs	rD,rA
Floating-Point Subtract	efssub	evfssub	rD,rA,rB
Floating-Point Test Equal	efststeq	evfststeq	crD,rA,rB
Floating-Point Test Greater Than	efststgt	evfststgt	crD,rA,rB
Floating-Point Test Less Than	efststlt	evfststlt	crD,rA,rB

3.10.6.1 Options for Embedded Floating-Point APU Implementations

Table 3-9 lists implementation options allowed by the embedded floating-point architecture and describes how the e200z3 handles those options.

Table 3-9. Embedded Floating-Point APU Options

Option	e200z3 Implementation
Overflow and underflow conditions may be signaled by doing exponent evaluation of the operation. If an examining of the exponents determines that an overflow or underflow could occur, the implementation may choose to signal an overflow or underflow.	Follows the recommendation; does not use the estimation.
If an operand for a calculation or conversion is denormalized, the implementation may choose to use a same-signed zero value in place of the denormalized operand.	Uses a same-signed zero value in place of the denormalized operand.
+Infinity and -Infinity rounding modes are not required to be handled by an implementation. If an implementation does not support \pm Infinity rounding modes and the rounding mode is set to be +Infinity or -Infinity, an embedded floating-point round interrupt occurs after every floating-point instruction for which rounding may occur, regardless of the value of FINXE, unless an embedded floating-point data interrupt also occurs and is taken.	Supports rounding to \pm Infinity.
For absolute value, negate, and negative absolute value operations, an implementation may choose either to simply perform the sign bit operation recognizing interrupts or to compute the operation and handle exceptions and saturation where appropriate.	A sign bit operation is performed; interrupts are taken.
SPEFSCR FGH and FXH bits are undefined upon the completion of a scalar floating-point operation. An implementation may choose to clear them or leave them unchanged.	Always clears these bits for such operations.
An implementation may choose to only implement sticky bit setting by hardware for FDBZS and FINXS, allowing software to manage the other sticky bits. It is recommended that all future implementations implement all sticky bit settings in hardware.	Implements all sticky bit settings in hardware.

3.11 Unimplemented SPRs and Read-Only SPRs

The e200z3 fully decodes the SPR field of **mf spr** and **mt spr** instructions. If the SPR specified is undefined and not privileged, an illegal instruction exception is generated. If the SPR specified is undefined and privileged and the CPU is in user mode (MSR[PR] = 1), a privileged instruction exception is generated. If

the SPR specified is undefined and privileged and the CPU is in supervisor mode ($MSR[PR] = 0$), an illegal instruction exception is generated.

For **mtspr**, if the SPR specified is read-only and not privileged, an illegal instruction exception is generated. If the SPR specified is read-only and privileged and the CPU is in user mode ($MSR[PR] = 1$), a privileged instruction exception is generated. If the SPR specified is read-only and privileged and the CPU is in supervisor mode ($MSR[PR] = 0$), an illegal instruction exception is generated.

3.12 Invalid Instruction Forms

Table 3-10 describes invalid instruction forms.

Table 3-10. Invalid Instruction Forms

Instructions	Descriptions
Load and store with update	Book E defines as an invalid form the case when a load with update instruction specifies the same register in the rD and rA field of the instruction. For this invalid case, the e200z3 core performs the instruction and updates the register with the load data. In addition, if rA = 0 for any load or store with update instruction, the e200z3 core updates rA (GPR0).
Load Multiple Word (lmw)	Book E defines as invalid any form of the lmw instruction in which rA is in the range of registers to be loaded, including the case in which rA = 0. On the e200z3, invalid forms of lmw execute as follows: <ul style="list-style-type: none"> • Case 1: rA is in the range of rD, rA ≠ 0. In this case address generation for individual loads to register targets is done using the architectural value of rA which existed when beginning execution of this lmw instruction. rA is overwritten with a value fetched from memory as if it had not been the base register. Note that if the instruction is interrupted and restarted, the base address may be different if rA has been overwritten. • Case 2: rA = 0 and rD = 0. In this case address generation for all loads to register targets rD = 0 to rD = 31 is done substituting the value of 0 for rA.
Branch Conditional to Count Register [and Link]	Book E defines as invalid any bcctr or bcctrl instruction that specifies the decrement and test CTR (BO [2] = 0) option. The e200z3 executes instructions with these invalid forms by decrementing the CTR and branching to the location specified by the pre-decremented CTR value if all CR and CTR conditions are met as specified by the other BO field settings.
Instructions with non-zero reserved fields	Book E defines certain bit fields in various instructions as reserved and specifies that these fields be set to zero. Following the Book E recommendation, the e200z3 ignores the value of the reserved field (bit 31) in X-form integer load and store instructions. The e200z3 ignores the value of the reserved 'z' bits in the BO field of branch instructions. For all other instructions, the e200z3 generates an illegal instruction exception if a reserved field is non-zero.

3.13 Instruction Summary

In addition to the SPE instructions listed in Table 3-7 and the floating-point instructions listed in Table 3-8, the e200z3 implements the instructions defined in Table 3-11 and Table 3-12. Instructions not listed in these tables are not supported by the e200z3 core and signal an illegal, unimplemented, or floating-point unavailable exception. Implementation-dependent instructions are identified with a footnote.

Instructions that are optionally supported (when an optional function is added to the base core) are shown with shaded entries.

Note that specific APUs are not included in the table below:

- SPE APU
- VLE extension

3.13.1 Instruction Index Sorted by Mnemonic

Table 3-11 lists instructions by mnemonic.

Table 3-11. Instructions Sorted by Mnemonic

Format	Opcode		Mnemonic	Instruction
	Primary (Inst _{0:5})	Extended (Inst _{21:31})		
X	011111	01000 01010 0	add	Add
X	011111	01000 01010 1	add.	Add & record CR
X	011111	00000 01010 0	addc	Add Carrying
X	011111	00000 01010 1	addc.	Add Carrying & record CR
X	011111	10000 01010 0	addco	Add Carrying & record OV
X	011111	10000 01010 1	addco.	Add Carrying & record OV & CR
X	011111	00100 01010 0	adde	Add Extended with CA
X	011111	00100 01010 1	adde.	Add Extended with CA & record CR
X	011111	10100 01010 0	addeo	Add Extended with CA & record OV
X	011111	10100 01010 1	addeo.	Add Extended with CA & record OV & CR
D	001110	—— ——— —	addi	Add Immediate
D	001100	—— ——— —	addic	Add Immediate Carrying
D	001101	—— ——— —	addic.	Add Immediate Carrying & record CR
D	001111	—— ——— —	addis	Add Immediate Shifted
X	011111	00111 01010 0	addme	Add to Minus One Extended with CA
X	011111	00111 01010 1	addme.	Add to Minus One Extended with CA & record CR
X	011111	10111 01010 0	addmeo	Add to Minus One Extended with CA & record OV
X	011111	10111 01010 1	addmeo.	Add to Minus One Extended with CA & record OV & CR
X	011111	11000 01010 0	addo	Add & record OV
X	011111	11000 01010 1	addo.	Add & record OV & CR
X	011111	00110 01010 0	addze	Add to Zero Extended with CA
X	011111	00110 01010 1	addze.	Add to Zero Extended with CA & record CR

Legend:
 - Don't care, usually part of an operand field
 / Reserved bit, invalid instruction form if encoded as 1
 ? Allocated for implementation-dependent use.

Table 3-11. Instructions Sorted by Mnemonic (continued)

Format	Opcode		Mnemonic	Instruction
	Primary (Inst _{0:5})	Extended (Inst _{21:31})		
X	011111	10110 01010 0	addzeo	Add to Zero Extended with CA & record OV
X	011111	10110 01010 1	addzeo.	Add to Zero Extended with CA & record OV & CR
X	011111	00000 11100 0	and	AND
X	011111	00000 11100 1	and.	AND & record CR
X	011111	00001 11100 0	andc	AND with Complement
X	011111	00001 11100 1	andc.	AND with Complement & record CR
D	011100	_____ --	andi.	AND Immediate and record CR
D	011101	_____ --	andis.	AND Immediate Shifted and record CR
I	010010	_____ 0 0	b	Branch
I	010010	_____ 1 0	ba	Branch Absolute
B	010000	_____ 0 0	bc	Branch Conditional
B	010000	_____ 1 0	bca	Branch Conditional Absolute
XL	010011	10000 10000 0	bcctr	Branch Conditional to Count Register
XL	010011	10000 10000 1	bcctrl	Branch Conditional to Count Register and Link
B	010000	_____ 0 1	bcl	Branch Conditional and Link
B	010000	_____ 1 1	bcla	Branch Conditional and Link Absolute
XL	010011	00000 10000 0	bclr	Branch Conditional to Link Register
XL	010011	00000 10000 1	bclrl	Branch Conditional to Link Register and Link
I	010010	_____ 0 1	bl	Branch and Link
I	010010	_____ 1 1	bla	Branch and Link Absolute
X	011111	00000 00000 /	cmp	Compare
D	001011	_____ --	cmpi	Compare Immediate
X	011111	00001 00000 /	cmpl	Compare Logical
D	001010	_____ --	cmpli	Compare Logical Immediate
X	011111	00000 11010 0	cntlzw	Count Leading Zeros Word
X	011111	00000 11010 1	cntlzw.	Count Leading Zeros Word and record CR
XL	010011	01000 00001 /	crand	Condition Register AND
XL	010011	00100 00001 /	crandc	Condition Register AND with Complement

Legend:

- Don't care, usually part of an operand field
- / Reserved bit, invalid instruction form if encoded as 1
- ? Allocated for implementation-dependent use.

Table 3-11. Instructions Sorted by Mnemonic (continued)

Format	Opcode		Mnemonic	Instruction
	Primary (Inst _{0:5})	Extended (Inst _{21:31})		
XL	010011	01001 00001 /	creqv	Condition Register Equivalent
XL	010011	00111 00001 /	crnand	Condition Register NAND
XL	010011	00001 00001 /	crnor	Condition Register NOR
XL	010011	01110 00001 /	cror	Condition Register OR
XL	010011	01101 00001 /	crorc	Condition Register OR with Complement
XL	010011	00110 00001 /	crxor	Condition Register XOR
X	011111	10111 10110 /	dcba	Data Cache Block Allocate
X	011111	00010 10110 /	dcbf	Data Cache Block Flush
X	011111	01110 10110 /	dcbi	Data Cache Block Invalidate
X	011111	00001 10110 /	dcbst	Data Cache Block Store
X	011111	01000 10110 /	dcbt	Data Cache Block Touch
X	011111	00111 10110 /	dcbtst	Data Cache Block Touch for Store
X	011111	11111 10110 /	dcbz	Data Cache Block set to Zero
X	011111	01111 01011 0	divw	Divide Word
X	011111	01111 01011 1	divw.	Divide Word and record CR
X	011111	11111 01011 0	divwo	Divide Word and record OV
X	011111	11111 01011 1	divwo.	Divide Word and record OV and CR
X	011111	01110 01011 0	divwu	Divide Word Unsigned
X	011111	01110 01011 1	divwu.	Divide Word Unsigned and record CR
X	011111	11110 01011 0	divwuo	Divide Word Unsigned and record OV
X	011111	11110 01011 1	divwuo.	Divide Word Unsigned and record OV and CR
X	011111	01000 11100 0	eqv	Equivalent
X	011111	01000 11100 1	eqv.	Equivalent and record CR
X	011111	11101 11010 0	extsb	Extend Sign Byte
X	011111	11101 11010 1	extsb.	Extend Sign Byte and record CR
X	011111	11100 11010 0	extsh	Extend Sign Half Word
X	011111	11100 11010 1	extsh.	Extend Sign Half Word and record CR
X	111111	01000 01000 0	fabs¹	Floating Absolute Value

Legend:
 - Don't care, usually part of an operand field
 / Reserved bit, invalid instruction form if encoded as 1
 ? Allocated for implementation-dependent use.

Table 3-11. Instructions Sorted by Mnemonic (continued)

Format	Opcode		Mnemonic	Instruction
	Primary (Inst _{0:5})	Extended (Inst _{21:31})		
X	111111	01000 01000 1	fabs. ¹	Floating Absolute Value and record CR
A	111111	—— 10101 0	fadd1 ¹	Floating Add
A	111111	—— 10101 1	fadd. ¹	Floating Add and record CR
A	111011	—— 10101 0	fadds ¹	Floating Add Single
A	111011	—— 10101 1	fadds. ¹	Floating Add Single and record CR
X	111111	11010 01110 /	fcfid ¹	Floating Convert From Int Doubleword
X	111111	00001 00000 /	fcmpo ¹	Floating Compare Ordered
X	111111	00000 00000 /	fcmpu ¹	Floating Compare Unordered
X	111111	11001 01110 /	fctid ¹	Floating Convert To Int Doubleword
X	111111	11001 01111 /	fctidz ¹	Floating Convert To Int Doubleword with round to Zero
X	111111	00000 01110 0	fctiw ¹	Floating Convert To Int Word
X	111111	00000 01110 1	fctiw. ¹	Floating Convert To Int Word and record CR
X	111111	00000 01111 0	fctiwz ¹	Floating Convert To Int Word with round to Zero
X	111111	00000 01111 1	fctiwz. ¹	Floating Convert To Int Word with round to Zero and record CR
A	111111	—— 10010 0	fdiv ¹	Floating Divide
A	111111	—— 10010 1	fdiv. ¹	Floating Divide and record CR
A	111011	—— 10010 0	fdivs ¹	Floating Divide Single
A	111011	—— 10010 1	fdivs. ¹	Floating Divide Single and record CR
A	111111	—— 11101 0	fmadd ¹	Floating Multiply-Add
A	111111	—— 11101 1	fmadd. ¹	Floating Multiply-Add and record CR
A	111011	—— 11101 0	fmadds ¹	Floating Multiply-Add Single
A	111011	—— 11101 1	fmadds. ¹	Floating Multiply-Add Single and record CR
X	111111	00010 01000 0	fmr ¹	Floating Move Register
X	111111	00010 01000 1	fmr. ¹	Floating Move Register and record CR
A	111111	—— 11100 0	fmsub ¹	Floating Multiply-Subtract
A	111111	—— 11100 1	fmsub. ¹	Floating Multiply-Subtract and record CR
A	111011	—— 11100 0	fmsubs ¹	Floating Multiply-Subtract Single
A	111011	—— 11100 1	fmsubs. ¹	Floating Multiply-Subtract Single and record CR

Legend:

- Don't care, usually part of an operand field
- / Reserved bit, invalid instruction form if encoded as 1
- ? Allocated for implementation-dependent use.

Table 3-11. Instructions Sorted by Mnemonic (continued)

Format	Opcode		Mnemonic	Instruction
	Primary (Inst _{0:5})	Extended (Inst _{21:31})		
A	111111	—— 11001 0	fmul ¹	Floating Multiply
A	111111	—— 11001 1	fmul. ¹	Floating Multiply and record CR
A	111011	—— 11001 0	fmuls ¹	Floating Multiply Single
A	111011	—— 11001 1	fmuls. ¹	Floating Multiply Single and record CR
X	111111	00100 01000 0	fnabs ¹	Floating Negative Absolute Value
X	111111	00100 01000 1	fnabs. ¹	Floating Negative Absolute Value and record CR
X	111111	00001 01000 0	fneg ¹	Floating Negate
X	111111	00001 01000 1	fneg. ¹	Floating Negate and record CR
A	111111	—— 11111 0	fnmadd ¹	Floating Negative Multiply-Add
A	111111	—— 11111 1	fnmadd. ¹	Floating Negative Multiply-Add and record CR
A	111011	—— 11111 0	fnmadds ¹	Floating Negative Multiply-Add Single
A	111011	—— 11111 1	fnmadds. ¹	Floating Negative Multiply-Add Single and record CR
A	111111	—— 11110 0	fnmsub ¹	Floating Negative Multiply-Subtract
A	111111	—— 11110 1	fnmsub. ¹	Floating Negative Multiply-Subtract and record CR
A	111011	—— 11110 0	fnmsubs ¹	Floating Negative Multiply-Subtract Single
A	111011	—— 11110 1	fnmsubs. ¹	Floating Negative Multiply-Subtract Single and record CR
A	111011	—— 11000 0	fres ¹	Floating Reciprocal Estimate Single
A	111011	—— 11000 1	fres. ¹	Floating Reciprocal Estimate Single and record CR
X	111111	00000 01100 0	frsp ¹	Floating Round to Single-Precision
X	111111	00000 01100 1	frsp. ¹	Floating Round to Single-Precision and record CR
A	111111	—— 11010 0	frsqrte ¹	Floating Reciprocal Square Root Estimate
A	111111	—— 11010 1	frsqrte. ¹	Floating Reciprocal Square Root Estimate and record CR
A	111111	—— 10111 0	fsel ¹	Floating Select
A	111111	—— 10111 1	fsel. ¹	Floating Select and record CR
A	111111	—— 10110 0	fsqrt ¹	Floating Square Root
A	111111	—— 10110 1	fsqrt. ¹	Floating Square Root and record CR
A	111011	—— 10110 0	fsqrts ¹	Floating Square Root Single
A	111011	—— 10110 1	fsqrts. ¹	Floating Square Root Single and record CR

Legend:

- Don't care, usually part of an operand field
- / Reserved bit, invalid instruction form if encoded as 1
- ? Allocated for implementation-dependent use.

Table 3-11. Instructions Sorted by Mnemonic (continued)

Format	Opcode		Mnemonic	Instruction
	Primary (Inst _{0:5})	Extended (Inst _{21:31})		
A	111111	—— 10100 0	fsub ¹	Floating Subtract
A	111111	—— 10100 1	fsub. ¹	Floating Subtract and record CR
A	111011	—— 10100 0	fsubs ¹	Floating Subtract Single
A	111011	—— 10100 1	fsubs. ¹	Floating Subtract Single and record CR
X	011111	11110 10110 /	icbi	Instruction Cache Block Invalidate
X	011111	00000 10110 /	icbt	Instruction Cache Block Touch
X	011111	—— 01111 /	isel ²	Integer Select
XL	010011	00100 10110 /	isync	Instruction Synchronize
D	100010	—— ——— —	lbz	Load Byte and Zero
D	100011	—— ——— —	lbzu	Load Byte and Zero with Update
X	011111	00011 10111 /	lbzux	Load Byte and Zero with Update Indexed
X	011111	00010 10111 /	lbzx	Load Byte and Zero Indexed
D	110010	—— ——— —	lfd ¹	Load Floating-Point Double
D	110011	—— ——— —	lfdu ¹	Load Floating-Point Double with Update
X	011111	10011 10111 /	lfdux ¹	Load Floating-Point Double with Update Indexed
X	011111	10010 10111 /	lfdx ¹	Load Floating-Point Double Indexed
D	110000	—— ——— —	lfs ¹	Load Floating-Point Single
D	110001	—— ——— —	lfsu ¹	Load Floating-Point Single with Update
X	011111	10001 10111 /	lfsux ¹	Load Floating-Point Single with Update Indexed
X	011111	10000 10111 /	lfsx ¹	Load Floating-Point Single Indexed
D	101010	—— ——— —	lha	Load Half Word Algebraic
D	101011	—— ——— —	lhau	Load Half Word Algebraic with Update
X	011111	01011 10111 /	lhaux	Load Half Word Algebraic with Update Indexed
X	011111	01010 10111 /	lhax	Load Half Word Algebraic Indexed
X	011111	11000 10110 /	lhbrx	Load Half Word Byte-Reverse Indexed
D	101000	—— ——— —	lhz	Load Half Word and Zero
D	101001	—— ——— —	lhzu	Load Half Word and Zero with Update
X	011111	01001 10111 /	lhzux	Load Half Word and Zero with Update Indexed

Legend:

- Don't care, usually part of an operand field
- / Reserved bit, invalid instruction form if encoded as 1
- ? Allocated for implementation-dependent use.

Table 3-11. Instructions Sorted by Mnemonic (continued)

Format	Opcode		Mnemonic	Instruction
	Primary (Inst _{0:5})	Extended (Inst _{21:31})		
X	011111	01000 10111 /	lhzx	Load Half Word and Zero Indexed
D	101110	_____ --	lmw	Load Multiple Word
X	011111	10010 10101 /	lswi ³	Load String Word Immediate
X	011111	10000 10101 /	lswx ³	Load String Word Indexed
X	011111	00000 10100 /	lwarx ⁴	Load Word and Reserve Indexed
X	011111	10000 10110 /	lwbrx	Load Word Byte-Reverse Indexed
D	100000	_____ --	lwz	Load Word and Zero
D	100001	_____ --	lwzu	Load Word and Zero with Update
X	011111	00001 10111 /	lwzux	Load Word and Zero with Update Indexed
X	011111	00000 10111 /	lwzx	Load Word and Zero Indexed
X	011111	11010 10110 /	mbar ⁴	Memory Barrier
XL	010011	00000 00000 /	mcrf	Move Condition Register Field
X	111111	00010 00000 /	mcrfs ¹	Move to Condition Register from FPSCR
X	011111	10000 00000 /	mcrxr	Move to Condition Register from XER
X	011111	01000 10011 /	mfapidi ³	Move From APID Indirect
X	011111	00000 10011 /	mfcrr	Move From Condition Register
XFX	011111	01010 00011 /	mfocr ³	Move From Device Control Register
X	011111	01000 00011 /	mfocrx ³	Move From Device Control Register Indexed
X	111111	10010 00111 0	mffs ¹	Move From FPSCR
X	111111	10010 00111 1	mffs. ¹	Move From FPSCR and record CR
X	011111	00010 10011 /	mfmsr	Move From Machine State Register
XFX	011111	01010 10011 /	mfsprr	Move From Special Purpose Register
X	011111	10010 10110 /	msync ⁴	Memory Synchronize
XFX	011111	00100 10000 /	mtcrr	Move To Condition Register Fields
XFX	011111	01110 00011 /	mtocr ³	Move To Device Control Register
X	011111	01100 00011 /	mtocrx ³	Move To Device Control Register Indexed
X	111111	00010 00110 0	mtfsb0 ¹	Move To FPSCR Bit 0
X	111111	00010 00110 1	mtfsb0. ¹	Move To FPSCR Bit 0 and record CR

Legend:

- Don't care, usually part of an operand field
- / Reserved bit, invalid instruction form if encoded as 1
- ? Allocated for implementation-dependent use.

Table 3-11. Instructions Sorted by Mnemonic (continued)

Format	Opcode		Mnemonic	Instruction
	Primary (Inst _{0:5})	Extended (Inst _{21:31})		
X	111111	00001 00110 0	mtfsb1 ¹	Move To FPSCR Bit 1
X	111111	00001 00110 1	mtfsb1. ¹	Move To FPSCR Bit 1 and record CR
XFL	111111	10110 00111 0	mtfsf ¹	Move To FPSCR Fields
XFL	111111	10110 00111 1	mtfsf. ¹	Move To FPSCR Fields and record CR
X	111111	00100 00110 0	mtfsfi ¹	Move To FPSCR Field Immediate
X	111111	00100 00110 1	mtfsfi. ¹	Move To FPSCR Field Immediate and record CR
X	011111	00100 10010 /	mtmsr	Move To Machine State Register
XFX	011111	01110 10011 /	mtspr	Move To Special Purpose Register
X	011111	/0010 01011 0	mulhw	Multiply High Word
X	011111	/0010 01011 1	mulhw.	Multiply High Word and record CR
X	011111	/0000 01011 0	mulhwu	Multiply High Word Unsigned
X	011111	/0000 01011 1	mulhwu.	Multiply High Word Unsigned and record CR
D	000111	----- --	mulli	Multiply Low Immediate
X	011111	00111 01011 0	mullw	Multiply Low Word
X	011111	00111 01011 1	mullw.	Multiply Low Word and record CR
X	011111	10111 01011 0	mullwo	Multiply Low Word and record OV
X	011111	10111 01011 1	mullwo.	Multiply Low Word and record OV and CR
X	011111	01110 11100 0	nand	NAND
X	011111	01110 11100 1	nand.	NAND and record CR
X	011111	00011 01000 0	neg	Negate
X	011111	00011 01000 1	neg.	Negate and record CR
X	011111	10011 01000 0	nego	Negate and record OV
X	011111	10011 01000 1	nego.	Negate and record OV and record CR
X	011111	00011 11100 0	nor	NOR
X	011111	00011 11100 1	nor.	NOR and record CR
X	011111	01101 11100 0	or	OR
X	011111	01101 11100 1	or.	OR and record CR
X	011111	01100 11100 0	orc	OR with Complement

Legend:

- Don't care, usually part of an operand field
- / Reserved bit, invalid instruction form if encoded as 1
- ? Allocated for implementation-dependent use.

Table 3-11. Instructions Sorted by Mnemonic (continued)

Format	Opcode		Mnemonic	Instruction
	Primary (Inst _{0:5})	Extended (Inst _{21:31})		
X	011111	01100 11100 1	orc.	OR with Complement and record CR
D	011000	_____ --	ori	OR Immediate
D	011001	_____ --	oris	OR Immediate Shifted
XL	010011	00001 10011 /	rfdi	Return From Critical Interrupt
XL	010011	00001 00111 /	rfdi ⁵	Return From Debug Interrupt
XL	010011	00001 10010 /	rfdi	Return From Interrupt
M	010100	_____ 0	rlwimi	Rotate Left Word Immed then Mask Insert
M	010100	_____ 1	rlwimi.	Rotate Left Word Immed then Mask Insert and record CR
M	010101	_____ 0	rlwinm	Rotate Left Word Immed then AND with Mask
M	010101	_____ 1	rlwinm.	Rotate Left Word Immed then AND with Mask and record CR
M	010111	_____ 0	rlwnm	Rotate Left Word then AND with Mask
M	010111	_____ 1	rlwnm.	Rotate Left Word then AND with Mask and record CR
SC	010001	/////////1/	sc	System Call
X	011111	00000 11000 0	slw	Shift Left Word
X	011111	00000 11000 1	slw.	Shift Left Word and record CR
X	011111	11000 11000 0	sraw	Shift Right Algebraic Word
X	011111	11000 11000 1	sraw.	Shift Right Algebraic Word and record CR
X	011111	11001 11000 0	srawi	Shift Right Algebraic Word Immediate
X	011111	11001 11000 1	srawi.	Shift Right Algebraic Word Immediate and record CR
X	011111	10000 11000 0	srw	Shift Right Word
X	011111	10000 11000 1	srw.	Shift Right Word and record CR
D	100110	_____ --	stb	Store Byte
D	100111	_____ --	stbu	Store Byte with Update
X	011111	00111 10111 /	stbux	Store Byte with Update Indexed
X	011111	00110 10111 /	stbx	Store Byte Indexed
D	110110	_____ --	stfd ¹	Store Floating-Point Double
D	110111	_____ --	stfdu ¹	Store Floating-Point Double with Update
X	011111	10111 10111 /	stfdux ¹	Store Floating-Point Double with Update Indexed

Legend:
 - Don't care, usually part of an operand field
 / Reserved bit, invalid instruction form if encoded as 1
 ? Allocated for implementation-dependent use.

Table 3-11. Instructions Sorted by Mnemonic (continued)

Format	Opcode		Mnemonic	Instruction
	Primary (Inst _{0:5})	Extended (Inst _{21:31})		
X	011111	10110 10111 /	stfdx ¹	Store Floating-Point Double Indexed
X	011111	11110 10111 /	stfiwx ¹	Store Floating-Point as Int Word Indexed
D	110100	_____ --	stfs ¹	Store Floating-Point Single
D	110101	_____ --	stfsu ¹	Store Floating-Point Single with Update
X	011111	10101 10111 /	stfsux ¹	Store Floating-Point Single with Update Indexed
X	011111	10100 10111 /	stfsx ¹	Store Floating-Point Single Indexed
D	101100	_____ --	sth	Store Half Word
X	011111	11100 10110 /	sthbrx	Store Half Word Byte-Reverse Indexed
D	101101	_____ --	sth	Store Half Word with Update
X	011111	01101 10111 /	sthux	Store Half Word with Update Indexed
X	011111	01100 10111 /	sthx	Store Half Word Indexed
D	101111	_____ --	stmw	Store Multiple Word
X	011111	10110 10101 /	stswi ³	Store String Word Immediate
X	011111	10100 10101 /	stswx ³	Store String Word Indexed
D	100100	_____ --	stw	Store Word
X	011111	10100 10110 /	stwbrx	Store Word Byte-Reverse Indexed
X	011111	00100 10110 1	stwcx ⁴	Store Word Conditional Indexed and record CR
D	100101	_____ --	stwu	Store Word with Update
X	011111	00101 10111 /	stwux	Store Word with Update Indexed
X	011111	00100 10111 /	stwx	Store Word Indexed
X	011111	00001 01000 0	subf	Subtract From
X	011111	00001 01000 1	subf.	Subtract From and record CR
X	011111	00000 01000 0	subfc	Subtract From Carrying
X	011111	00000 01000 1	subfc.	Subtract From Carrying and record CR
X	011111	10000 01000 0	subfco	Subtract From Carrying and record OV
X	011111	10000 01000 1	subfco.	Subtract From Carrying and record OV and CR
X	011111	00100 01000 0	subfe	Subtract From Extended with CA
X	011111	00100 01000 1	subfe.	Subtract From Extended with CA and record CR

Legend:

- Don't care, usually part of an operand field
- / Reserved bit, invalid instruction form if encoded as 1
- ? Allocated for implementation-dependent use.

Table 3-11. Instructions Sorted by Mnemonic (continued)

Format	Opcode		Mnemonic	Instruction
	Primary (Inst _{0:5})	Extended (Inst _{21:31})		
X	011111	10100 01000 0	subfeo	Subtract From Extended with CA and record OV
X	011111	10100 01000 1	subfeo.	Subtract From Extended with CA and record OV and CR
D	001000	_____ --	subfic	Subtract From Immediate Carrying
X	011111	00111 01000 0	subfme	Subtract From Minus One Extended with CA
X	011111	00111 01000 1	subfme.	Subtract From Minus One Extended with CA and record CR
X	011111	10111 01000 0	subfmeo	Subtract From Minus One Extended with CA and record OV
X	011111	10111 01000 1	subfmeo.	Subtract From Minus One Extended with CA and record OV and CR
X	011111	10001 01000 0	subfo	Subtract From and record OV
X	011111	10001 01000 1	subfo.	Subtract From and record OV and CR
X	011111	00110 01000 0	subfze	Subtract From Zero Extended with CA
X	011111	00110 01000 1	subfze.	Subtract From Zero Extended with CA and record CR
X	011111	10110 01000 0	subfzeo	Subtract From Zero Extended with CA and record OV
X	011111	10110 01000 1	subfzeo.	Subtract From Zero Extended with CA and record OV and CR
X	011111	11000 10010 /	tlbivax	TLB Invalidate Virtual Address Indexed
X	011111	11101 10010 /	tlbre	TLB Read Entry
X	011111	11100 10010 /	tlbsx	TLB Search Indexed
X	011111	10001 10110 /	tlbsync	TLB Synchronize
X	011111	11110 10010 /	tlbwe	TLB Write Entry
X	011111	00000 00100 /	tw	Trap Word
D	000011	_____ --	twi	Trap Word Immediate
X	011111	00100 00011 /	wrtee	Write External Enable
X	011111	00101 00011 /	wrteei	Write External Enable Immediate
X	011111	01001 11100 0	xor	XOR
X	011111	01001 11100 1	xor.	XOR and record CR

Legend:

- Don't care, usually part of an operand field
- / Reserved bit, invalid instruction form if encoded as 1
- ? Allocated for implementation-dependent use.

Table 3-11. Instructions Sorted by Mnemonic (continued)

Format	Opcode		Mnemonic	Instruction
	Primary (Inst _{0:5})	Extended (Inst _{21:31})		
D	011010	-----	xori	XOR Immediate
D	011011	-----	xoris	XOR Immediate Shifted

Legend:

- Don't care, usually part of an operand field
- / Reserved bit, invalid instruction form if encoded as 1
- ? Allocated for implementation-dependent use.

¹ Attempted execution causes an unimplemented exception if MSR[FP]=1, or an FP Unavailable exception if MSR[FP]=0.

² EIS-defined **isel** instruction, refer to [Section 3.10.1, "Integer Select APU."](#)

³ The core CPU will take an illegal instruction exception for unsupported DCR values.

⁴ See [Section 3.7, "Memory Synchronization and Reservation Instructions."](#)

⁵ See [Section 3.10.2, "Debug APU."](#)

3.13.2 Instruction Index Sorted by Opcode

Table 3-12 lists instructions by opcode.

Table 3-12. Instructions Sorted by Opcode

Format	Opcode		Mnemonic	Instruction
	Primary (Inst _{0:5})	Extended (Inst _{21:31})		
D	000011	-----	twi	Trap Word Immediate
D	000111	-----	mulli	Multiply Low Immediate
D	001000	-----	subfic	Subtract From Immediate Carrying
D	001010	-----	cmpli	Compare Logical Immediate
D	001011	-----	cmpi	Compare Immediate
D	001100	-----	addic	Add Immediate Carrying
D	001101	-----	addic.	Add Immediate Carrying and record CR
D	001110	-----	addi	Add Immediate
D	001111	-----	addis	Add Immediate Shifted
B	010000	-----0 0	bc	Branch Conditional
B	010000	-----0 1	bcl	Branch Conditional and Link
B	010000	-----1 0	bca	Branch Conditional Absolute

Legend:

- Don't care, usually part of an operand field
- / Reserved bit, invalid instruction form if encoded as 1
- ? Allocated for implementation-dependent use. See User' Manual for the implementation

Table 3-12. Instructions Sorted by Opcode (continued)

Format	Opcode		Mnemonic	Instruction
	Primary (Inst _{0:5})	Extended (Inst _{21:31})		
B	010000	—— ———1 1	bcla	Branch Conditional and Link Absolute
SC	010001	///// ///// 1 /	sc	System Call
I	010010	—— ———0 0	b	Branch
I	010010	—— ———0 1	bl	Branch and Link
I	010010	—— ———1 0	ba	Branch Absolute
I	010010	—— ———1 1	bla	Branch and Link Absolute
XL	010011	00000 00000 /	mcrf	Move Condition Register Field
XL	010011	00000 10000 0	bclr	Branch Conditional to Link Register
XL	010011	00000 10000 1	bclrl	Branch Conditional to Link Register and Link
XL	010011	00001 00001 /	crnor	Condition Register NOR
XL	010011	00001 00111 /	rfdi	Return From Debug Interrupt
XL	010011	00001 10010 /	rfi	Return From Interrupt
XL	010011	00001 10011 /	rfci	Return From Critical Interrupt
XL	010011	00100 00001 /	crandc	Condition Register AND with Complement
XL	010011	00100 10110 /	isync	Instruction Synchronize
XL	010011	00110 00001 /	crxor	Condition Register XOR
XL	010011	00111 00001 /	crnand	Condition Register NAND
XL	010011	01000 00001 /	crand	Condition Register AND
XL	010011	01001 00001 /	creqv	Condition Register Equivalent
XL	010011	01101 00001 /	crorc	Condition Register OR with Complement
XL	010011	01110 00001 /	cror	Condition Register OR
XL	010011	10000 10000 0	bcctr	Branch Conditional to Count Register
XL	010011	10000 10000 1	bcctrl	Branch Conditional to Count Register and Link
M	010100	—— ——— 0	rlwimi	Rotate Left Word Immed then Mask Insert
M	010100	—— ——— 1	rlwimi.	Rotate Left Word Immed then Mask Insert and record CR
M	010101	—— ——— 0	rlwinm	Rotate Left Word Immed then AND with Mask
M	010101	—— ——— 1	rlwinm.	Rotate Left Word Immed then AND with Mask and record CR
M	010111	—— ——— 0	rlwnm	Rotate Left Word then AND with Mask

Legend:
 - Don't care, usually part of an operand field
 / Reserved bit, invalid instruction form if encoded as 1
 ? Allocated for implementation-dependent use. See User' Manual for the implementation

Table 3-12. Instructions Sorted by Opcode (continued)

Format	Opcode		Mnemonic	Instruction
	Primary (Inst _{0:5})	Extended (Inst _{21:31})		
M	010111	_____ 1	rlwnm.	Rotate Left Word then AND with Mask and record CR
D	011000	_____ --	ori	OR Immediate
D	011001	_____ --	oris	OR Immediate Shifted
D	011010	_____ --	xori	XOR Immediate
D	011011	_____ --	xoris	XOR Immediate Shifted
D	011100	_____ --	andi.	AND Immediate and record CR
D	011101	_____ --	andis.	AND Immediate Shifted and record CR
??	011111	_____ 01111 /	isel	Integer Select
X	011111	00000 00000 /	cmp	Compare
X	011111	00000 00100 /	tw	Trap Word
X	011111	00000 01000 0	subfc	Subtract From Carrying
X	011111	00000 01000 1	subfc.	Subtract From Carrying and record CR
X	011111	00000 01010 0	addc	Add Carrying
X	011111	00000 01010 1	addc.	Add Carrying and record CR
X	011111	/0000 01011 0	mulhwu	Multiply High Word Unsigned
X	011111	/0000 01011 1	mulhwu.	Multiply High Word Unsigned and record CR
X	011111	00000 10011 /	mfcrr	Move From Condition Register
X	011111	00000 10100 /	lwarx	Load Word and Reserve Indexed
X	011111	00000 10110 /	icbt	Instruction Cache Block Touch
X	011111	00000 10111 /	lwzx	Load Word and Zero Indexed
X	011111	00000 11000 0	slw	Shift Left Word
X	011111	00000 11000 1	slw.	Shift Left Word and record CR
X	011111	00000 11010 0	cntlzw	Count Leading Zeros Word
X	011111	00000 11010 1	cntlzw.	Count Leading Zeros Word and record CR
X	011111	00000 11100 0	and	AND
X	011111	00000 11100 1	and.	AND and record CR
X	011111	00001 00000 /	cmpl	Compare Logical
X	011111	00001 01000 0	subf	Subtract From

Legend:

- Don't care, usually part of an operand field
- / Reserved bit, invalid instruction form if encoded as 1
- ? Allocated for implementation-dependent use. See User' Manual for the implementation

Table 3-12. Instructions Sorted by Opcode (continued)

Format	Opcode		Mnemonic	Instruction
	Primary (Inst _{0:5})	Extended (Inst _{21:31})		
X	011111	00001 01000 1	subf.	Subtract From and record CR
X	011111	00001 10110 /	dcbst	Data Cache Block Store
X	011111	00001 10111 /	lwzux	Load Word and Zero with Update Indexed
X	011111	00001 11100 0	andc	AND with Complement
X	011111	00001 11100 1	andc.	AND with Complement and record CR
X	011111	/0010 01011 0	mulhw	Multiply High Word
X	011111	/0010 01011 1	mulhw.	Multiply High Word and record CR
X	011111	00010 10011 /	mfmsr	Move From Machine State Register
X	011111	00010 10110 /	dcbf	Data Cache Block Flush
X	011111	00010 10111 /	lbzx	Load Byte and Zero Indexed
X	011111	00011 01000 0	neg	Negate
X	011111	00011 01000 1	neg.	Negate and record CR
X	011111	00011 10111 /	lbzux	Load Byte and Zero with Update Indexed
X	011111	00011 11100 0	nor	NOR
X	011111	00011 11100 1	nor.	NOR and record CR
X	011111	00100 00011 /	wrtee	Write External Enable
X	011111	00100 01000 0	subfe	Subtract From Extended with CA
X	011111	00100 01000 1	subfe.	Subtract From Extended with CA and record CR
X	011111	00100 01010 0	adde	Add Extended with CA
X	011111	00100 01010 1	adde.	Add Extended with CA and record CR
XFX	011111	00100 10000 /	mtrcf	Move To Condition Register Fields
X	011111	00100 10010 /	mtmsr	Move To Machine State Register
X	011111	00100 10110 1	stwcx.	Store Word Conditional Indexed and record CR
X	011111	00100 10111 /	stwx	Store Word Indexed
X	011111	00101 00011 /	wrteei	Write External Enable Immediate
X	011111	00101 10111 /	stwux	Store Word with Update Indexed
X	011111	00110 01000 0	subfze	Subtract From Zero Extended with CA
X	011111	00110 01000 1	subfze.	Subtract From Zero Extended with CA and record CR

Legend:
 - Don't care, usually part of an operand field
 / Reserved bit, invalid instruction form if encoded as 1
 ? Allocated for implementation-dependent use. See User' Manual for the implementation

Table 3-12. Instructions Sorted by Opcode (continued)

Format	Opcode		Mnemonic	Instruction
	Primary (Inst _{0:5})	Extended (Inst _{21:31})		
X	011111	00110 01010 0	addze	Add to Zero Extended with CA
X	011111	00110 01010 1	addze.	Add to Zero Extended with CA and record CR
X	011111	00110 10111 /	stbx	Store Byte Indexed
X	011111	00111 01000 0	subfme	Subtract From Minus One Extended with CA
X	011111	00111 01000 1	subfme.	Subtract From Minus One Extended with CA and record CR
X	011111	00111 01010 0	addme	Add to Minus One Extended with CA
X	011111	00111 01010 1	addme.	Add to Minus One Extended with CA and record CR
X	011111	00111 01011 0	mullw	Multiply Low Word
X	011111	00111 01011 1	mullw.	Multiply Low Word and record CR
X	011111	00111 10110 /	dcbtst	Data Cache Block Touch for Store
X	011111	00111 10111 /	stbux	Store Byte with Update Indexed
X	011111	01000 00011 /	mfdcrx	Move From Device Control Register Indexed
X	011111	01000 01010 0	add	Add
X	011111	01000 01010 1	add.	Add and record CR
X	011111	01000 10011 /	mfapidi	Move From APID Indirect
X	011111	01000 10110 /	dcbt	Data Cache Block Touch
X	011111	01000 10111 /	lhzx	Load Halfword and Zero Indexed
X	011111	01000 11100 0	eqv	Equivalent
X	011111	01000 11100 1	eqv.	Equivalent and record CR
X	011111	01001 10111 /	lhzux	Load Halfword and Zero with Update Indexed
X	011111	01001 11100 0	xor	XOR
X	011111	01001 11100 1	xor.	XOR and record CR
XFX	011111	01010 00011 /	mfdcr	Move From Device Control Register
XFX	011111	01010 10011 /	mfspr	Move From Special Purpose Register
X	011111	01010 10111 /	lhax	Load Halfword Algebraic Indexed
X	011111	01011 10111 /	lhaux	Load Halfword Algebraic with Update Indexed
X	011111	01100 00011 /	mtdcrx	Move To Device Control Register Indexed
X	011111	01100 10111 /	sthx	Store Halfword Indexed

Legend:

- Don't care, usually part of an operand field
- / Reserved bit, invalid instruction form if encoded as 1
- ? Allocated for implementation-dependent use. See User' Manual for the implementation

Table 3-12. Instructions Sorted by Opcode (continued)

Format	Opcode		Mnemonic	Instruction
	Primary (Inst _{0:5})	Extended (Inst _{21:31})		
X	011111	01100 11100 0	orc	OR with Complement
X	011111	01100 11100 1	orc.	OR with Complement and record CR
X	011111	01101 10111 /	sthux	Store Halfword with Update Indexed
X	011111	01101 11100 0	or	OR
X	011111	01101 11100 1	or.	OR and record CR
XFX	011111	01110 00011 /	mtdcr	Move To Device Control Register
X	011111	01110 01011 0	divwu	Divide Word Unsigned
X	011111	01110 01011 1	divwu.	Divide Word Unsigned and record CR
XFX	011111	01110 10011 /	mtspr	Move To Special Purpose Register
X	011111	01110 10110 /	dcbi	Data Cache Block Invalidate
X	011111	01110 11100 0	nand	NAND
X	011111	01110 11100 1	nand.	NAND and record CR
X	011111	01111 01011 0	divw	Divide Word
X	011111	01111 01011 1	divw.	Divide Word and record CR
X	011111	10000 00000 /	mcrxr	Move to Condition Register from XER
X	011111	10000 01000 0	subfco	Subtract From Carrying and record OV
X	011111	10000 01000 1	subfco.	Subtract From Carrying and record OV and CR
X	011111	10000 01010 0	addco	Add Carrying and record OV
X	011111	10000 01010 1	addco.	Add Carrying and record OV and CR
X	011111	10000 10101 /	lswx	Load String Word Indexed
X	011111	10000 10110 /	lwbrx	Load Word Byte-Reverse Indexed
X	011111	10000 10111 /	lfsx	Load Floating-Point Single Indexed
X	011111	10000 11000 0	srw	Shift Right Word
X	011111	10000 11000 1	srw.	Shift Right Word and record CR
X	011111	10001 01000 0	subfo	Subtract From and record OV
X	011111	10001 01000 1	subfo.	Subtract From and record OV and CR
X	011111	10001 10110 /	tlbsync	TLB Synchronize
X	011111	10001 10111 /	lfsux	Load Floating-Point Single with Update Indexed

Legend:
 - Don't care, usually part of an operand field
 / Reserved bit, invalid instruction form if encoded as 1
 ? Allocated for implementation-dependent use. See User' Manual for the implementation

Table 3-12. Instructions Sorted by Opcode (continued)

Format	Opcode		Mnemonic	Instruction
	Primary (Inst _{0:5})	Extended (Inst _{21:31})		
X	011111	10010 10101 /	lswi	Load String Word Immediate
X	011111	10010 10110 /	msync	Memory Synchronize
X	011111	10010 10111 /	lfdx	Load Floating-Point Double Indexed
X	011111	10011 01000 0	nego	Negate and record OV
X	011111	10011 01000 1	nego.	Negate and record OV and record CR
X	011111	10011 10111 /	lfdux	Load Floating-Point Double with Update Indexed
X	011111	10100 01000 0	subfeo	Subtract From Extended with CA and record OV
X	011111	10100 01000 1	subfeo.	Subtract From Extended with CA and record OV and CR
X	011111	10100 01010 0	addeo	Add Extended with CA and record OV
X	011111	10100 01010 1	addeo.	Add Extended with CA and record OV and CR
X	011111	10100 10101 /	stswx	Store String Word Indexed
X	011111	10100 10110 /	stwbrx	Store Word Byte-Reverse Indexed
X	011111	10100 10111 /	stfsx	Store Floating-Point Single Indexed
X	011111	10101 10111 /	stfsux	Store Floating-Point Single with Update Indexed
X	011111	10110 01000 0	subfzeo	Subtract From Zero Extended with CA and record OV
X	011111	10110 01000 1	subfzeo.	Subtract From Zero Extended with CA and record OV and CR
X	011111	10110 01010 0	addzeo	Add to Zero Extended with CA and record OV
X	011111	10110 01010 1	addzeo.	Add to Zero Extended with CA and record OV and CR
X	011111	10110 10101 /	stswi	Store String Word Immediate
X	011111	10110 10111 /	stfdx	Store Floating-Point Double Indexed
X	011111	10111 01000 0	subfmeo	Subtract From Minus One Extended with CA and record OV
X	011111	10111 01000 1	subfmeo.	Subtract From Minus One Extended with CA and record OV and CR
X	011111	10111 01010 0	addmeo	Add to Minus One Extended with CA and record OV
X	011111	10111 01010 1	addmeo.	Add to Minus One Extended with CA and record OV and CR
X	011111	10111 01011 0	mullwo	Multiply Low Word and record OV
X	011111	10111 01011 1	mullwo.	Multiply Low Word and record OV and CR
X	011111	10111 10110 /	dcba	Data Cache Block Allocate
X	011111	10111 10111 /	stfdux	Store Floating-Point Double with Update Indexed

Legend:

- Don't care, usually part of an operand field
- / Reserved bit, invalid instruction form if encoded as 1
- ? Allocated for implementation-dependent use. See User' Manual for the implementation

Table 3-12. Instructions Sorted by Opcode (continued)

Format	Opcode		Mnemonic	Instruction
	Primary (Inst _{0:5})	Extended (Inst _{21:31})		
X	011111	11000 01010 0	addo	Add and record OV
X	011111	11000 01010 1	addo.	Add and record OV and CR
X	011111	11000 10010 /	tlbivax	TLB Invalidate Virtual Address Indexed
X	011111	11000 10110 /	lhbrx	Load Halfword Byte-Reverse Indexed
X	011111	11000 11000 0	sraw	Shift Right Algebraic Word
X	011111	11000 11000 1	sraw.	Shift Right Algebraic Word and record CR
X	011111	11001 11000 0	srawi	Shift Right Algebraic Word Immediate
X	011111	11001 11000 1	srawi.	Shift Right Algebraic Word Immediate and record CR
X	011111	11010 10110 /	mbar	Memory Barrier
X	011111	11100 10010 ?	tlbsx	TLB Search Indexed
X	011111	11100 10110 /	sthbrx	Store Halfword Byte-Reverse Indexed
X	011111	11100 11010 0	extsh	Extend Sign Halfword
X	011111	11100 11010 1	extsh.	Extend Sign Halfword and record CR
X	011111	11101 10010 /	tlbre	TLB Read Entry
X	011111	11101 11010 0	extsb	Extend Sign Byte
X	011111	11101 11010 1	extsb.	Extend Sign Byte and record CR
X	011111	11110 01011 0	divwuo	Divide Word Unsigned and record OV
X	011111	11110 01011 1	divwuo.	Divide Word Unsigned and record OV and CR
X	011111	11110 10010 /	tlbwe	TLB Write Entry
X	011111	11110 10110 /	icbi	Instruction Cache Block Invalidate
X	011111	11110 10111 /	stfiwx	Store Floating-Point as Int Word Indexed
X	011111	11111 01011 0	divwo	Divide Word and record OV
X	011111	11111 01011 1	divwo.	Divide Word and record OV and CR
X	011111	11111 10110 /	dcbz	Data Cache Block set to Zero
D	100000	_____ --	lwz	Load Word and Zero
D	100001	_____ --	lwzu	Load Word and Zero with Update
D	100010	_____ --	lbz	Load Byte and Zero
D	100011	_____ --	lbzu	Load Byte and Zero with Update

Legend:
 - Don't care, usually part of an operand field
 / Reserved bit, invalid instruction form if encoded as 1
 ? Allocated for implementation-dependent use. See User' Manual for the implementation

Table 3-12. Instructions Sorted by Opcode (continued)

Format	Opcode		Mnemonic	Instruction
	Primary (Inst _{0:5})	Extended (Inst _{21:31})		
D	100100	_____	stw	Store Word
D	100101	_____	stwu	Store Word with Update
D	100110	_____	stb	Store Byte
D	100111	_____	stbu	Store Byte with Update
D	101000	_____	lhz	Load Halfword and Zero
D	101001	_____	lhzu	Load Halfword and Zero with Update
D	101010	_____	lha	Load Halfword Algebraic
D	101011	_____	lhau	Load Halfword Algebraic with Update
D	101100	_____	sth	Store Halfword
D	101101	_____	sthu	Store Halfword with Update
D	101110	_____	lmw	Load Multiple Word
D	101111	_____	stmw	Store Multiple Word
D	110000	_____	lfs	Load Floating-Point Single
D	110001	_____	lfsu	Load Floating-Point Single with Update
D	110010	_____	lfd	Load Floating-Point Double
D	110011	_____	lfdv	Load Floating-Point Double with Update
D	110100	_____	stfs	Store Floating-Point Single
D	110101	_____	stfsu	Store Floating-Point Single with Update
D	110110	_____	stfd	Store Floating-Point Double
D	110111	_____	stfdv	Store Floating-Point Double with Update
A	111011	_____ 10010 0	fdv	Floating Divide Single
A	111011	_____ 10010 1	fdv.	Floating Divide Single and record CR
A	111011	_____ 10100 0	fv	Floating Subtract Single
A	111011	_____ 10100 1	fv.	Floating Subtract Single and record CR
A	111011	_____ 10101 0	fv	Floating Add Single
A	111011	_____ 10101 1	fv.	Floating Add Single and record CR
A	111011	_____ 10110 0	fv	Floating Square Root Single
A	111011	_____ 10110 1	fv.	Floating Square Root Single and record CR

Legend:

- Don't care, usually part of an operand field
- / Reserved bit, invalid instruction form if encoded as 1
- ? Allocated for implementation-dependent use. See User' Manual for the implementation

Table 3-12. Instructions Sorted by Opcode (continued)

Format	Opcode		Mnemonic	Instruction
	Primary (Inst _{0:5})	Extended (Inst _{21:31})		
A	111011	—— 11000 0	fres	Floating Reciprocal Estimate Single
A	111011	—— 11000 1	fres.	Floating Reciprocal Estimate Single and record CR
A	111011	—— 11001 0	fmuls	Floating Multiply Single
A	111011	—— 11001 1	fmuls.	Floating Multiply Single and record CR
A	111011	—— 11100 0	fmsubs	Floating Multiply-Subtract Single
A	111011	—— 11100 1	fmsubs.	Floating Multiply-Subtract Single and record CR
A	111011	—— 11101 0	fmadds	Floating Multiply-Add Single
A	111011	—— 11101 1	fmadds.	Floating Multiply-Add Single and record CR
A	111011	—— 11110 0	fnmsubs	Floating Negative Multiply-Subtract Single
A	111011	—— 11110 1	fnmsubs.	Floating Negative Multiply-Subtract Single and record CR
A	111011	—— 11111 0	fnmadds	Floating Negative Multiply-Add Single
A	111011	—— 11111 1	fnmadds.	Floating Negative Multiply-Add Single and record CR
A	111111	—— 10010 0	fdiv	Floating Divide
A	111111	—— 10010 1	fdiv.	Floating Divide and record CR
A	111111	—— 10100 0	fsub	Floating Subtract
A	111111	—— 10100 1	fsub.	Floating Subtract and record CR
A	111111	—— 10101 0	fadd	Floating Add
A	111111	—— 10101 1	fadd.	Floating Add and record CR
A	111111	—— 10110 0	fsqrt	Floating Square Root
A	111111	—— 10110 1	fsqrt.	Floating Square Root and record CR
A	111111	—— 10111 0	fsel	Floating Select
A	111111	—— 10111 1	fsel.	Floating Select and record CR
A	111111	—— 11001 0	fmul	Floating Multiply
A	111111	—— 11001 1	fmul.	Floating Multiply and record CR
A	111111	—— 11010 0	frsqrte	Floating Reciprocal Square Root Estimate
A	111111	—— 11010 1	frsqrte.	Floating Reciprocal Square Root Estimate and record CR
A	111111	—— 11100 0	fmsub	Floating Multiply-Subtract
A	111111	—— 11100 1	fmsub.	Floating Multiply-Subtract and record CR

Legend:
 - Don't care, usually part of an operand field
 / Reserved bit, invalid instruction form if encoded as 1
 ? Allocated for implementation-dependent use. See User' Manual for the implementation

Table 3-12. Instructions Sorted by Opcode (continued)

Format	Opcode		Mnemonic	Instruction
	Primary (Inst _{0:5})	Extended (Inst _{21:31})		
A	111111	—— 11101 0	fmadd	Floating Multiply-Add
A	111111	—— 11101 1	fmadd.	Floating Multiply-Add and record CR
A	111111	—— 11110 0	fnmsub	Floating Negative Multiply-Subtract
A	111111	—— 11110 1	fnmsub.	Floating Negative Multiply-Subtract and record CR
A	111111	—— 11111 0	fnmadd	Floating Negative Multiply-Add
A	111111	—— 11111 1	fnmadd.	Floating Negative Multiply-Add and record CR
X	111111	00000 00000 /	fcmpu	Floating Compare Unordered
X	111111	00000 01100 0	frsp	Floating Round to Single-Precision
X	111111	00000 01100 1	frsp.	Floating Round to Single-Precision and record CR
X	111111	00000 01110 0	fctiw	Floating Convert To Int Word
X	111111	00000 01110 1	fctiw.	Floating Convert To Int Word and record CR
X	111111	00000 01111 0	fctiwz	Floating Convert To Int Word with round to Zero
X	111111	00000 01111 1	fctiwz.	Floating Convert To Int Word with round to Zero and record CR
X	111111	00001 00000 /	fcmpo	Floating Compare Ordered
X	111111	00001 00110 0	mtfsb1	Move To FPSCR Bit 1
X	111111	00001 00110 1	mtfsb1.	Move To FPSCR Bit 1 and record CR
X	111111	00001 01000 0	fneg	Floating Negate
X	111111	00001 01000 1	fneg.	Floating Negate and record CR
X	111111	00010 00000 /	mcrfs	Move to Condition Register from FPSCR
X	111111	00010 00110 0	mtfsb0	Move To FPSCR Bit 0
X	111111	00010 00110 1	mtfsb0.	Move To FPSCR Bit 0 and record CR
X	111111	00010 01000 0	fmr	Floating Move Register
X	111111	00010 01000 1	fmr.	Floating Move Register and record CR
X	111111	00100 00110 0	mtfsfi	Move To FPSCR Field Immediate
X	111111	00100 00110 1	mtfsfi.	Move To FPSCR Field Immediate and record CR
X	111111	00100 01000 0	fnabs	Floating Negative Absolute Value
X	111111	00100 01000 1	fnabs.	Floating Negative Absolute Value and record CR
X	111111	01000 01000 0	fabs	Floating Absolute Value

Legend:

- Don't care, usually part of an operand field
- / Reserved bit, invalid instruction form if encoded as 1
- ? Allocated for implementation-dependent use. See User' Manual for the implementation

Table 3-12. Instructions Sorted by Opcode (continued)

Format	Opcode		Mnemonic	Instruction
	Primary (Inst _{0:5})	Extended (Inst _{21:31})		
X	111111	01000 01000 1	fabs.	Floating Absolute Value and record CR
X	111111	10010 00111 0	mffs	Move From FPSCR
X	111111	10010 00111 1	mffs.	Move From FPSCR and record CR
XFL	111111	10110 00111 0	mtfsf	Move To FPSCR Fields
XFL	111111	10110 00111 1	mtfsf.	Move To FPSCR Fields and record CR
X	111111	11001 01110 /	fctid	Floating Convert To Int Doubleword
X	111111	11001 01111 /	fctidz	Floating Convert To Int Doubleword with round to Zero
X	111111	11010 01110 /	fcfid	Floating Convert From Int Doubleword

Legend:
 - Don't care, usually part of an operand field
 / Reserved bit, invalid instruction form if encoded as 1
 ? Allocated for implementation-dependent use. See User' Manual for the implementation

Table 3-13 lists all supported instructions, including VLE instructions.

Table 3-13. Full Instruction Listing

Mnemonic	Instruction Name	Source
add	Add	Book E
add.	Add & record CR	Book E
addc	Add Carrying	Book E
addc.	Add Carrying & record CR	Book E
addco	Add Carrying & record OV	Book E
addco.	Add Carrying & record OV & CR	Book E
adde	Add Extended with CA	Book E
adde.	Add Extended with CA & record CR	Book E
addeo	Add Extended with CA & record OV	Book E
addeo.	Add Extended with CA & record OV & CR	Book E
addi	Add Immediate	Book E
addic	Add Immediate Carrying	Book E
addic.	Add Immediate Carrying & record CR	Book E
addis	Add Immediate Shifted	Book E
addme	Add to Minus One Extended with CA	Book E
addme.	Add to Minus One Extended with CA & record CR	Book E

Table 3-13. Full Instruction Listing (continued)

Mnemonic	Instruction Name	Source
addmeo	Add to Minus One Extended with CA & record OV	Book E
addmeo.	Add to Minus One Extended with CA & record OV & CR	Book E
addo	Add & record OV	Book E
addo.	Add & record OV & CR	Book E
addze	Add to Zero Extended with CA	Book E
addze.	Add to Zero Extended with CA & record CR	Book E
addzeo	Add to Zero Extended with CA & record OV	Book E
addzeo.	Add to Zero Extended with CA & record OV & CR	Book E
and	AND	Book E
and.	AND & record CR	Book E
andc	AND with Complement	Book E
andc.	AND with Complement & record CR	Book E
andi.	AND Immediate and record CR	Book E
andis.	AND Immediate Shifted and record CR	Book E
b	Branch	Book E
ba	Branch Absolute	Book E
bc	Branch Conditional	Book E
bca	Branch Conditional Absolute	Book E
bcctr	Branch Conditional to Count Register	Book E
bcctrl	Branch Conditional to Count Register and Link	Book E
bcl	Branch Conditional and Link	Book E
bcla	Branch Conditional and Link Absolute	Book E
bclr	Branch Conditional to Link Register	Book E
bclrl	Branch Conditional to Link Register and Link	Book E
bl	Branch and Link	Book E
bla	Branch and Link Absolute	Book E
brinc	Bit Reversed Increment ¹	SPE
cmp	Compare	Book E
cmpi	Compare Immediate	Book E
cmpl	Compare Logical	Book E
cmpli	Compare Logical Immediate	Book E
cntlzw	Count Leading Zeros Word	Book E
cntlzw.	Count Leading Zeros Word and record CR	Book E

Table 3-13. Full Instruction Listing (continued)

Mnemonic	Instruction Name	Source
crand	Condition Register AND	Book E
crandc	Condition Register AND with Complement	Book E
creqv	Condition Register Equivalent	Book E
crnand	Condition Register NAND	Book E
crnor	Condition Register NOR	Book E
cror	Condition Register OR	Book E
crorc	Condition Register OR with Complement	Book E
crxor	Condition Register XOR	Book E
dcba ²	Data Cache Block Allocate	Book E
dcbf ²	Data Cache Block Flush	Book E
dcbi ²	Data Cache Block Invalidate	Book E
dcblc ²	Data Cache Block Lock Clear	Cache locking
dcbst ²	Data Cache Block Store	Book E
dcbt ²	Data Cache Block Touch	Book E
dcbtls ²	Data Cache Block Touch and Lock Set	Cache locking
dcbtst ²	Data Cache Block Touch for Store	Book E
dcbtstls ²	Data Cache Block Touch for Store and Lock Set	Cache locking
dcbz ²	Data Cache Block set to Zero	Book E
divw	Divide Word	Book E
divw.	Divide Word and record CR	Book E
divwo	Divide Word and record OV	Book E
divwo.	Divide Word and record OV and CR	Book E
divwu	Divide Word Unsigned	Book E
divwu.	Divide Word Unsigned and record CR	Book E
divwuo	Divide Word Unsigned and record OV	Book E
divwuo.	Divide Word Unsigned and record OV and CR	Book E
efsabs	Floating-Point Absolute Value	Scalar SPFP
efsadd	Floating-Point Add	Scalar SPFP
efscfsf	Convert Floating-Point from Signed Fraction	Scalar SPFP
efscfsi	Convert Floating-Point from Signed Integer	Scalar SPFP
efscfuf	Convert Floating-Point from Unsigned Fraction	Scalar SPFP
efscfui	Convert Floating-Point from Unsigned Integer	Scalar SPFP
efscmpeq	Floating-Point Compare Equal	Scalar SPFP

Table 3-13. Full Instruction Listing (continued)

Mnemonic	Instruction Name	Source
efscmpgt	Floating-Point Compare Greater Than	Scalar SPFP
efscmplt	Floating-Point Compare Less Than	Scalar SPFP
efsctsf	Convert Floating-Point to Signed Fraction	Scalar SPFP
efsctsi	Convert Floating-Point to Signed Integer	Scalar SPFP
efsctsiz	Convert Floating-Point to Signed Integer with Round toward Zero	Scalar SPFP
efsctuf	Convert Floating-Point to Unsigned Fraction	Scalar SPFP
efsctui	Convert Floating-Point to Unsigned Integer	Scalar SPFP
efsctuiz	Convert Floating-Point to Unsigned Integer with Round toward Zero	Scalar SPFP
efsdv	Floating-Point Divide	Scalar SPFP
efsmul	Floating-Point Multiply	Scalar SPFP
efsnabs	Floating-Point Negative Absolute Value	Scalar SPFP
efsneg	Floating-Point Negate	Scalar SPFP
efssub	Floating-Point Subtract	Scalar SPFP
efststeq	Floating-Point Test Equal	Scalar SPFP
efststgt	Floating-Point Test Greater Than	Scalar SPFP
efststlt	Floating-Point Test Less Than	Scalar SPFP
e_ldmvgprw	Load Multiple Volatile GPRs (r0, r3:r12)	Volatile context save/restore
e_ldmvsprw	Load Multiple Volatile SPRs (CR, LR, CTR, and XER)	Volatile context save/restore
e_ldmvsrrw	Load Multiple Volatile SRR (SRR0, SRR1)	Volatile context save/restore
e_ldmvcsrww	Load Multiple Volatile CSRR (CSRR0, CSRR1)	Volatile context save/restore
e_ldmvdsrww	Load Multiple Volatile DSRR (DSRR0, DSRR1)	Volatile context save/restore
eqv	Equivalent	Book E
eqv.	Equivalent and record CR	Book E
e_sdmvgprw	Store Multiple Volatile GPRs (r0, r3:r12)	Volatile context save/restore
e_sdmvsprw	Store Multiple Volatile SPRs (CR, LR, CTR, and XER)	Volatile context save/restore
e_sdmvsrrw	Store Multiple Volatile SRR (SRR0, SRR1)	Volatile context save/restore
e_sdmvcsrww	Store Multiple Volatile CSRR (CSRR0, CSRR1)	Volatile context save/restore

Table 3-13. Full Instruction Listing (continued)

Mnemonic	Instruction Name	Source
e_sdmvdsrrw	Store Multiple Volatile DSRR (DSRR0, DSRR1)	Volatile context save/restore
evabs	Vector Absolute Value	SPE
evaddiw	Vector Add Immediate Word	SPE
evaddsmiaaw	Vector Add Signed, Modulo, Integer to Accumulator Word	SPE
evaddssiaaw	Vector Add Signed, Saturate, Integer to Accumulator Word	SPE
evaddumiaaw	Vector Add Unsigned, Modulo, Integer to Accumulator Word	SPE
evaddusiaaw	Vector Add Unsigned, Saturate, Integer to Accumulator Word	SPE
evaddw	Vector Add Word	SPE
evand	Vector AND	SPE
evandc	Vector AND with Complement	SPE
evcmpeq	Vector Compare Equal	SPE
evcmpgts	Vector Compare Greater Than Signed	SPE
evcmpgtu	Vector Compare Greater Than Unsigned	SPE
evcmplt	Vector Compare Less Than Signed	SPE
evcmpltu	Vector Compare Less Than Unsigned	SPE
evcntlsw	Vector Count Leading Sign Bits Word	SPE
evcntlzw	Vector Count Leading Zeros Word	SPE
evdivws	Vector Divide Word Signed	SPE
evdivwu	Vector Divide Word Unsigned	SPE
eveqv	Vector Equivalent	SPE
evextsb	Vector Extend Sign Byte	SPE
evextsh	Vector Extend Sign Half Word	SPE
evfsabs	Vector Floating-Point Absolute Value	SPE
evfsabs	Floating-Point Absolute Value	Vector SPFP
evfsadd	Vector Floating-Point Add	SPE
evfsadd	Floating-Point Add	Vector SPFP
evfscfsf	Vector Convert Floating-Point from Signed Fraction	SPE
evfscfsf	Convert Floating-Point from Signed Fraction	Vector SPFP
evfscfsi	Vector Convert Floating-Point from Signed Integer	SPE
evfscfsi	Convert Floating-Point from Signed Integer	Vector SPFP
evfscfuf	Vector Convert Floating-Point from Unsigned Fraction	SPE
evfscfuf	Convert Floating-Point from Unsigned Fraction	Vector SPFP

Table 3-13. Full Instruction Listing (continued)

Mnemonic	Instruction Name	Source
evfscfui	Vector Convert Floating-Point from Unsigned Integer	SPE
evfscfui	Convert Floating-Point from Unsigned Integer	Vector SPFP
evfscmpeq	Vector Floating-Point Compare Equal	SPE
evfscmpeq	Floating-Point Compare Equal	Vector SPFP
evfscmpgt	Vector Floating-Point Compare Greater Than	SPE
evfscmpgt	Floating-Point Compare Greater Than	Vector SPFP
evfscmplt	Vector Floating-Point Compare Less Than	SPE
evfscmplt	Floating-Point Compare Less Than	Vector SPFP
evfsctsf	Vector Convert Floating-Point to Signed Fraction	SPE
evfsctsf	Convert Floating-Point to Signed Fraction	Vector SPFP
evfsctsi	Vector Convert Floating-Point to Signed Integer	SPE
evfsctsi	Convert Floating-Point to Signed Integer	Vector SPFP
evfsctsiz	Vector Convert Floating-Point to Signed Integer with Round toward Zero	SPE
evfsctsiz	Convert Floating-Point to Signed Integer with Round toward Zero	Vector SPFP
evfsctuf	Vector Convert Floating-Point to Unsigned Fraction	SPE
evfsctuf	Convert Floating-Point to Unsigned Fraction	Vector SPFP
evfsctui	Vector Convert Floating-Point to Unsigned Integer	SPE
evfsctui	Convert Floating-Point to Unsigned Integer	Vector SPFP
evfsctuiiz	Vector Convert Floating-Point to Unsigned Integer with Round toward Zero	SPE
evfsctuiiz	Convert Floating-Point to Unsigned Integer with Round toward Zero	Vector SPFP
evfsdiv	Vector Floating-Point Divide	SPE
evfsdiv	Floating-Point Divide	Vector SPFP
evfsmul	Vector Floating-Point Multiply	SPE
evfsmul	Floating-Point Multiply	Vector SPFP
evfsnabs	Vector Floating-Point Negative Absolute Value	SPE
evfsnabs	Floating-Point Negative Absolute Value	Vector SPFP
evfsneg	Vector Floating-Point Negate	SPE
evfsneg	Floating-Point Negate	Vector SPFP
evfssub	Vector Floating-Point Subtract	SPE
evfssub	Floating-Point Subtract	Vector SPFP
evfststeq	Vector Floating-Point Test Equal	SPE
evfststeq	Floating-Point Test Equal	Vector SPFP
evfststgt	Vector Floating-Point Test Greater Than	SPE

Table 3-13. Full Instruction Listing (continued)

Mnemonic	Instruction Name	Source
evfststgt	Floating-Point Test Greater Than	Vector SPFP
evfststlt	Vector Floating-Point Test Less Than	SPE
evfststlt	Floating-Point Test Less Than	Vector SPFP
evlidd	Vector Load Double Word into Double Word	SPE
evliddx	Vector Load Double Word into Double Word Indexed	SPE
evldh	Vector Load Double into Half Words	SPE
evldhx	Vector Load Double into Half Words Indexed	SPE
evldw	Vector Load Double into Two Words	SPE
evldwx	Vector Load Double into Two Words Indexed	SPE
evlhhesplat	Vector Load Half Word into Half Words Even and Splat	SPE
evlhhesplatx	Vector Load Half Word into Half Words Even and Splat Indexed	SPE
evlhhosplat	Vector Load Half Word into Half Word Odd Signed and Splat	SPE
evlhhosplatx	Vector Load Half Word into Half Word Odd Signed and Splat Indexed	SPE
evlhhouplat	Vector Load Half Word into Half Word Odd Unsigned and Splat	SPE
evlhhouplatx	Vector Load Half Word into Half Word Odd Unsigned and Splat Indexed	SPE
evlwhe	Vector Load Word into Two Half Words Even	SPE
evlwhex	Vector Load Word into Two Half Words Even Indexed	SPE
evlwhos	Vector Load Word into Half Words Odd Signed (with sign extension)	SPE
evlwhosx	Vector Load Word into Half Words Odd Signed Indexed (with sign extension)	SPE
evlwhou	Vector Load Word into Two Half Words Odd Unsigned (zero-extended)	SPE
evlwhoux	Vector Load Word into Two Half Words Odd Unsigned Indexed (zero-extended)	SPE
evlwhsplat	Vector Load Word into Half Words and Splat	SPE
evlwhsplatx	Vector Load Word into Half Words and Splat Indexed	SPE
evlwwsplat	Vector Load Word into Word and Splat	SPE
evlwwsplatx	Vector Load Word into Word and Splat Indexed	SPE
evmergehi	Vector Merge High	SPE
evmergehilo	Vector Merge High/Low	SPE
evmergeho	Vector Merge Low	SPE
evmergeho	Vector Merge Low/High	SPE
evmhegsmfaa	Multiply Half Words, Even, Guarded, Signed, Modulo, Fractional and Accumulate	SPE
evmhegsmfan	Multiply Half Words, Even, Guarded, Signed, Modulo, Fractional and Accumulate Negative	SPE
evmhegsmiaa	Multiply Half Words, Even, Guarded, Signed, Modulo, Integer and Accumulate	SPE

Table 3-13. Full Instruction Listing (continued)

Mnemonic	Instruction Name	Source
evmhegsmian	Multiply Half Words, Even, Guarded, Signed, Modulo, Integer and Accumulate Negative	SPE
evmhegumiaa	Multiply Half Words, Even, Guarded, Unsigned, Modulo, Integer and Accumulate	SPE
evmhegumian	Multiply Half Words, Even, Guarded, Unsigned, Modulo, Integer and Accumulate Negative	SPE
evmhesmf	Vector Multiply Half Words, Even, Signed, Modulo, Fractional	SPE
evmhesmfafa	Vector Multiply Half Words, Even, Signed, Modulo, Fractional, Accumulate	SPE
evmhesmfafaaw	Vector Multiply Half Words, Even, Signed, Modulo, Fractional and Accumulate into Words	SPE
evmhesmfafanw	Vector Multiply Half Words, Even, Signed, Modulo, Fractional and Accumulate Negative into Words	SPE
evmhesmi	Vector Multiply Half Words, Even, Signed, Modulo, Integer	SPE
evmhesmia	Vector Multiply Half Words, Even, Signed, Modulo, Integer, Accumulate	SPE
evmhesmiaaaw	Vector Multiply Half Words, Even, Signed, Modulo, Integer and Accumulate into Words	SPE
evmhesmianw	Vector Multiply Half Words, Even, Signed, Modulo, Integer and Accumulate Negative into Words	SPE
evmhessf	Vector Multiply Half Words, Even, Signed, Saturate, Fractional	SPE
evmhessfafa	Vector Multiply Half Words, Even, Signed, Saturate, Fractional, Accumulate	SPE
evmhessfafaaw	Vector Multiply Half Words, Even, Signed, Saturate, Fractional and Accumulate into Words	SPE
evmhessfafanw	Vector Multiply Half Words, Even, Signed, Saturate, Fractional and Accumulate Negative into Words	SPE
evmhessiaaaw	Vector Multiply Half Words, Even, Signed, Saturate, Integer and Accumulate into Words	SPE
evmhessianw	Vector Multiply Half Words, Even, Signed, Saturate, Integer and Accumulate Negative into Words	SPE
evmheumi	Vector Multiply Half Words, Even, Unsigned, Modulo, Integer	SPE
evmheumia	Vector Multiply Half Words, Even, Unsigned, Modulo, Integer, Accumulate	SPE
evmheumiaaaw	Vector Multiply Half Words, Even, Unsigned, Modulo, Integer and Accumulate into Words	SPE
evmheumianw	Vector Multiply Half Words, Even, Unsigned, Modulo, Integer and Accumulate Negative into Words	SPE
evmheusiaaaw	Vector Multiply Half Words, Even, Unsigned, Saturate, Integer and Accumulate into Words	SPE
evmheusianw	Vector Multiply Half Words, Even, Unsigned, Saturate, Integer and Accumulate Negative into Words	SPE
evmhogsmfaa	Multiply Half Words, Odd, Guarded, Signed, Modulo, Fractional and Accumulate	SPE

Table 3-13. Full Instruction Listing (continued)

Mnemonic	Instruction Name	Source
evmhogsmfan	Multiply Half Words, Odd, Guarded, Signed, Modulo, Fractional and Accumulate Negative	SPE
evmhogsmiaa	Multiply Half Words, Odd, Guarded, Signed, Modulo, Integer and Accumulate	SPE
evmhogsmian	Multiply Half Words, Odd, Guarded, Signed, Modulo, Integer and Accumulate Negative	SPE
evmhogumiaa	Multiply Half Words, Odd, Guarded, Unsigned, Modulo, Integer and Accumulate	SPE
evmhogumian	Multiply Half Words, Odd, Guarded, Unsigned, Modulo, Integer and Accumulate Negative	SPE
evmhosmf	Vector Multiply Half Words, Odd, Signed, Modulo, Fractional	SPE
evmhosmfa	Vector Multiply Half Words, Odd, Signed, Modulo, Fractional, Accumulate	SPE
evmhosmfaaw	Vector Multiply Half Words, Odd, Signed, Modulo, Fractional and Accumulate into Words	SPE
evmhosmfanw	Vector Multiply Half Words, Odd, Signed, Modulo, Fractional and Accumulate Negative into Words	SPE
evmhosmi	Vector Multiply Half Words, Odd, Signed, Modulo, Integer	SPE
evmhosmia	Vector Multiply Half Words, Odd, Signed, Modulo, Integer, Accumulate	SPE
evmhosmiaaw	Vector Multiply Half Words, Odd, Signed, Modulo, Integer and Accumulate into Words	SPE
evmhosmianw	Vector Multiply Half Words, Odd, Signed, Modulo, Integer and Accumulate Negative into Words	SPE
evmhossf	Vector Multiply Half Words, Odd, Signed, Saturate, Fractional	SPE
evmhossfa	Vector Multiply Half Words, Odd, Signed, Saturate, Fractional, Accumulate	SPE
evmhossfaaw	Vector Multiply Half Words, Odd, Signed, Saturate, Fractional and Accumulate into Words	SPE
evmhossfanw	Vector Multiply Half Words, Odd, Signed, Saturate, Fractional and Accumulate Negative into Words	SPE
evmhossiaaw	Vector Multiply Half Words, Odd, Signed, Saturate, Integer and Accumulate into Words	SPE
evmhossianw	Vector Multiply Half Words, Odd, Signed, Saturate, Integer and Accumulate Negative into Words	SPE
evmhoumi	Vector Multiply Half Words, Odd, Unsigned, Modulo, Integer	SPE
evmhoumia	Vector Multiply Half Words, Odd, Unsigned, Modulo, Integer, Accumulate	SPE
evmhoumiaaw	Vector Multiply Half Words, Odd, Unsigned, Modulo, Integer and Accumulate into Words	SPE
evmhoumianw	Vector Multiply Half Words, Odd, Unsigned, Modulo, Integer and Accumulate Negative into Words	SPE
evmhousiaaw	Vector Multiply Half Words, Odd, Unsigned, Saturate, Integer and Accumulate into Words	SPE
evmhousianw	Vector Multiply Half Words, Odd, Unsigned, Saturate, Integer and Accumulate Negative into Words	SPE

Table 3-13. Full Instruction Listing (continued)

Mnemonic	Instruction Name	Source
evmra	Initialize Accumulator	SPE
evmwhsmf	Vector Multiply Word High Signed, Modulo, Fractional	SPE
evmwhsmfa	Vector Multiply Word High Signed, Modulo, Fractional and Accumulate	SPE
evmwhsmi	Vector Multiply Word High Signed, Modulo, Integer	SPE
evmwhsmia	Vector Multiply Word High Signed, Modulo, Integer and Accumulate	SPE
evmwhssf	Vector Multiply Word High Signed, Saturate, Fractional	SPE
evmwhssfa	Vector Multiply Word High Signed, Saturate, Fractional and Accumulate	SPE
evmwhumi	Vector Multiply Word High Unsigned, Modulo, Integer	SPE
evmwhumia	Vector Multiply Word High Unsigned, Modulo, Integer and Accumulate	SPE
evmwlsmi	Vector Multiply Word Low Unsigned, Modulo, Integer	SPE
evmwlsmiaaw	Vector Multiply Word Low Signed, Modulo, Integer and Accumulate in Words	SPE
evmwlsmianw	Vector Multiply Word Low Signed, Modulo, Integer and Accumulate Negative in Words	SPE
evmwlssiaaw	Vector Multiply Word Low Signed, Saturate, Integer and Accumulate in Words	SPE
evmwlsisianw	Vector Multiply Word Low Signed, Saturate, Integer and Accumulate Negative in Words	SPE
evmwlumia	Vector Multiply Word Low Unsigned, Modulo, Integer and Accumulate	SPE
evmwlumiaaw	Vector Multiply Word Low Unsigned, Modulo, Integer and Accumulate in Words	SPE
evmwlumianw	Vector Multiply Word Low Unsigned, Modulo, Integer and Accumulate Negative in Words	SPE
evmwlusiaaw	Vector Multiply Word Low Unsigned, Saturate, Integer and Accumulate in Words	SPE
evmwlusianw	Vector Multiply Word Low Unsigned, Saturate, Integer and Accumulate Negative in Words	SPE
evmwsmf	Vector Multiply Word Signed, Modulo, Fractional	SPE
evmwsmfa	Vector Multiply Word Signed, Modulo, Fractional and Accumulate	SPE
evmwsmfaa	Vector Multiply Word Signed, Modulo, Fractional and Accumulate	SPE
evmwsmfan	Vector Multiply Word Signed, Modulo, Fractional and Accumulate Negative	SPE
evmwsmi	Vector Multiply Word Signed, Modulo, Integer	SPE
evmwsmia	Vector Multiply Word Signed, Modulo, Integer and Accumulate	SPE
evmwsmiaa	Vector Multiply Word Signed, Modulo, Integer and Accumulate	SPE
evmwsmian	Vector Multiply Word Signed, Modulo, Integer and Accumulate Negative	SPE
evmwssf	Vector Multiply Word Signed, Saturate, Fractional	SPE
evmwssfa	Vector Multiply Word Signed, Saturate, Fractional and Accumulate	SPE
evmwssfaa	Vector Multiply Word Signed, Saturate, Fractional and Accumulate	SPE
evmwssfan	Vector Multiply Word Signed, Saturate, Fractional and Accumulate Negative	SPE

Table 3-13. Full Instruction Listing (continued)

Mnemonic	Instruction Name	Source
evmwumi	Vector Multiply Word Unsigned, Modulo, Integer	SPE
evmwumia	Vector Multiply Word Unsigned, Modulo, Integer and Accumulate	SPE
evmwumiaa	Vector Multiply Word Unsigned, Modulo, Integer and Accumulate	SPE
evmwumian	Vector Multiply Word Unsigned, Modulo, Integer and Accumulate Negative	SPE
evnand	Vector NAND	SPE
evneg	Vector Negate	SPE
evnor	Vector NOR	SPE
evor	Vector OR	SPE
evorc	Vector OR with Complement	SPE
evrlw	Vector Rotate Left Word	SPE
evrlwi	Vector Rotate Left Word Immediate	SPE
evrndw	Vector Round Word	SPE
evsel	Vector Select	SPE
evslw	Vector Shift Left Word	SPE
evslwi	Vector Shift Left Word Immediate	SPE
evsplatfi	Vector Splat Fractional Immediate	SPE
evsplat	Vector Splat Immediate	SPE
evsrwis	Vector Shift Right Word Immediate Signed	SPE
evsrwiu	Vector Shift Right Word Immediate Unsigned	SPE
evsrws	Vector Shift Right Word Signed	SPE
evsrwu	Vector Shift Right Word Unsigned	SPE
evstd	Vector Store Double of Double	SPE
evstddx	Vector Store Double of Double Indexed	SPE
evstdh	Vector Store Double of Four Half Words	SPE
evstdhx	Vector Store Double of Four Half Words Indexed	SPE
evstdw	Vector Store Double of Two Words	SPE
evstdwx	Vector Store Double of Two Words Indexed	SPE
evstwhe	Vector Store Word of Two Half Words from Even	SPE
evstwhex	Vector Store Word of Two Half Words from Even Indexed	SPE
evstwho	Vector Store Word of Two Half Words from Odd	SPE
evstwhox	Vector Store Word of Two Half Words from Odd Indexed	SPE
evstwwe	Vector Store Word of Word from Even	SPE
evstwwex	Vector Store Word of Word from Even Indexed	SPE

Table 3-13. Full Instruction Listing (continued)

Mnemonic	Instruction Name	Source
evstwwo	Vector Store Word of Word from Odd	SPE
evstwwox	Vector Store Word of Word from Odd Indexed	SPE
evsubfsmiaaw	Vector Subtract Signed, Modulo, Integer to Accumulator Word	SPE
evsubfssiaaw	Vector Subtract Signed, Saturate, Integer to Accumulator Word	SPE
evsubfumiaaw	Vector Subtract Unsigned, Modulo, Integer to Accumulator Word	SPE
evsubfusiaaw	Vector Subtract Unsigned, Saturate, Integer to Accumulator Word	SPE
evsubfw	Vector Subtract from Word	SPE
evsubifw	Vector Subtract Immediate from Word	SPE
evxor	Vector XOR	SPE
extsb	Extend Sign Byte	Book E
extsb.	Extend Sign Byte and record CR	Book E
extsh	Extend Sign Half Word	Book E
extsh.	Extend Sign Half Word and record CR	Book E
e_add16i	Add Immediate	VLE (16-bit opcodes)
e_add2i.	Add (2 operand) Immediate and Record CR	VLE (16-bit opcodes)
e_add2is	Add (2 operand) Immediate Shifted	VLE (16-bit opcodes)
e_addi	Add Immediate	VLE (16-bit opcodes)
e_addi.	Add Immediate and Record	VLE (16-bit opcodes)
e_addic	Add Immediate Carrying	VLE (16-bit opcodes)
e_addic.	Add Immediate Carrying and Record	VLE (16-bit opcodes)
e_and2i.	AND (2 operand) Immediate & record CR	VLE (16-bit opcodes)
e_and2is.	AND (2 operand) Immediate Shifted & record CR	VLE (16-bit opcodes)
e_andi	AND Immediate	VLE (16-bit opcodes)
e_andi.	AND Immediate and Record	VLE (16-bit opcodes)
e_b	Branch	VLE (16-bit opcodes)
e_bc	Branch Conditional	VLE (16-bit opcodes)
e_bcl	Branch Conditional & Link	VLE (16-bit opcodes)
e_bl	Branch & Link	VLE (16-bit opcodes)
e_cmp16i	Compare Immediate	VLE (16-bit opcodes)
e_cmph	Compare Halfword	VLE (16-bit opcodes)
e_cmph16i	Compare Halfword Immediate	VLE (16-bit opcodes)
e_cmphi	Compare Halfword Logical	VLE (16-bit opcodes)
e_cmphi16i	Compare Halfword Logical Immediate	VLE (16-bit opcodes)

Table 3-13. Full Instruction Listing (continued)

Mnemonic	Instruction Name	Source
e_cmpi	Compare Immediate	VLE (16-bit opcodes)
e_cmpl16i	Compare Logical Immediate	VLE (16-bit opcodes)
e_cmpli	Compare Logical Immediate	VLE (16-bit opcodes)
e_crand	Condition Register AND	VLE (16-bit opcodes)
e_crandc	Condition Register AND with Complement	VLE (16-bit opcodes)
e_creqv	Condition Register Equivalent	VLE (16-bit opcodes)
e_crnand	Condition Register NAND	VLE (16-bit opcodes)
e_crnor	Condition Register NOR	VLE (16-bit opcodes)
e_cror	Condition Register OR	VLE (16-bit opcodes)
e_crorc	Condition Register OR with Complement	VLE (16-bit opcodes)
e_crxor	Condition Register XOR	VLE (16-bit opcodes)
e_lbz	Load Byte & Zero	VLE (16-bit opcodes)
e_lbzu	Load Byte & Zero with Update	VLE (16-bit opcodes)
e_lha	Load Halfword Algebraic	VLE (16-bit opcodes)
e_lhau	Load Halfword Algebraic With Update	VLE (16-bit opcodes)
e_lhz	Load Halfword & Zero	VLE (16-bit opcodes)
e_lhzu	Load Halfword & Zero with Update	VLE (16-bit opcodes)
e_li	Load Immediate	VLE (16-bit opcodes)
e_lis	Load Immediate Shifted	VLE (16-bit opcodes)
e_lmw	Load Multiple Word	VLE (16-bit opcodes)
e_lwz	Load Word & Zero	VLE (16-bit opcodes)
e_lwzu	Load Word & Zero with Update	VLE (16-bit opcodes)
e_mcrf	Move Condition Register Field	VLE (16-bit opcodes)
e_mull2i	Multiply Low Word (2 operand) Immediate	VLE (16-bit opcodes)
e_mulli	Multiply Low Immediate	VLE (16-bit opcodes)
e_or2i	OR (2 operand) Immediate	VLE (16-bit opcodes)
e_or2is	OR (2 operand) Immediate Shifted	VLE (16-bit opcodes)
e_ori	OR Immediate	VLE (16-bit opcodes)
e_ori.	OR Immediate and Record	VLE (16-bit opcodes)
e_rlw	Rotate Left Word	VLE (16-bit opcodes)
e_rlw.	Rotate Left Word & record CR	VLE (16-bit opcodes)
e_rlwi	Rotate Left Word Immediate	VLE (16-bit opcodes)
e_rlwi.	Rotate Left Word Immediate & record CR	VLE (16-bit opcodes)

Table 3-13. Full Instruction Listing (continued)

Mnemonic	Instruction Name	Source
e_rlwimi	Rotate Left Word Immed then Mask Insert	VLE (16-bit opcodes)
e_rlwinm	Rotate Left Word Immed then AND with Mask	VLE (16-bit opcodes)
e_slwi	Shift Left Word Immediate	VLE (16-bit opcodes)
e_slwi.	Shift Left Word Immediate & record CR	VLE (16-bit opcodes)
e_srwi	Shift Right Word Immediate	VLE (16-bit opcodes)
e_srwi.	Shift Right Word Immediate & record CR	VLE (16-bit opcodes)
e_stb	Store Byte	VLE (16-bit opcodes)
e_stbu	Store Byte with Update	VLE (16-bit opcodes)
e_sth	Store Halfword	VLE (16-bit opcodes)
e_sthu	Store Halfword with Update	VLE (16-bit opcodes)
e_stmw	Store Multiple Word	VLE (16-bit opcodes)
e_stw	Store Word	VLE (16-bit opcodes)
e_stwu	Store Word with Update	VLE (16-bit opcodes)
e_subfic	Subtract from Immediate Carrying	VLE (16-bit opcodes)
e_subfic.	Subtract from Immediate and Record	VLE (16-bit opcodes)
e_xori	XOR Immediate	VLE (16-bit opcodes)
e_xori.	XOR Immediate and Record	VLE (16-bit opcodes)
icbi ²	Instruction Cache Block Invalidate	Book E
icbhc ²	Instruction Cache Block Lock Clear	Cache locking
icbt ²	Instruction Cache Block Touch	Book E
icbtls ²	Instruction Cache Block Touch and Lock Set	Cache locking
isel	Integer Select	EIS
isync	Instruction Synchronize	Book E
lbz	Load Byte and Zero	Book E
lbzu	Load Byte and Zero with Update	Book E
lbzux	Load Byte and Zero with Update Indexed	Book E
lbzx	Load Byte and Zero Indexed	Book E
lha	Load Half Word Algebraic	Book E
lhau	Load Half Word Algebraic with Update	Book E
lhaux	Load Half Word Algebraic with Update Indexed	Book E
lhax	Load Half Word Algebraic Indexed	Book E
lhbrx	Load Half Word Byte-Reverse Indexed	Book E
lhz	Load Half Word and Zero	Book E

Table 3-13. Full Instruction Listing (continued)

Mnemonic	Instruction Name	Source
lhzu	Load Half Word and Zero with Update	Book E
lhzux	Load Half Word and Zero with Update Indexed	Book E
lhzx	Load Half Word and Zero Indexed	Book E
lmw	Load Multiple Word	Book E
lwarx	Load Word and Reserve Indexed	Book E
lwbrx	Load Word Byte-Reverse Indexed	Book E
lwz	Load Word and Zero	Book E
lwzu	Load Word and Zero with Update	Book E
lwzux	Load Word and Zero with Update Indexed	Book E
lwzx	Load Word and Zero Indexed	Book E
mbar ³	Memory Barrier	Book E
mcrf	Move Condition Register Field	Book E
mcrxr	Move to Condition Register from XER	Book E
mfcrr	Move From Condition Register	Book E
mfocr ⁴	Move From Device Control Register	Book E
mfocrx ⁴	Move From Device Control Register Indexed	Book E
mfmsr	Move From Machine State Register	Book E
mfmspr	Move From Special Purpose Register	Book E
msync ³	Memory Synchronize	Book E
mtcrf	Move To Condition Register Fields	Book E
mtocr ⁴	Move To Device Control Register	Book E
mtocrx ⁴	Move To Device Control Register Indexed	Book E
mtmsr	Move To Machine State Register	Book E
mtmspr	Move To Special Purpose Register	Book E
mulhw	Multiply High Word	Book E
mulhw.	Multiply High Word and record CR	Book E
mulhwu	Multiply High Word Unsigned	Book E
mulhwu.	Multiply High Word Unsigned and record CR	Book E
mulli	Multiply Low Immediate	Book E
mullw	Multiply Low Word	Book E
mullw.	Multiply Low Word and record CR	Book E
mullwo	Multiply Low Word and record OV	Book E
mullwo.	Multiply Low Word and record OV and CR	Book E

Table 3-13. Full Instruction Listing (continued)

Mnemonic	Instruction Name	Source
nand	NAND	Book E
nand.	NAND and record CR	Book E
neg	Negate	Book E
neg.	Negate and record CR	Book E
nego	Negate and record OV	Book E
nego.	Negate and record OV and record CR	Book E
nor	NOR	Book E
nor.	NOR and record CR	Book E
or	OR	Book E
or.	OR and record CR	Book E
orc	OR with Complement	Book E
orc.	OR with Complement and record CR	Book E
ori	OR Immediate	Book E
oris	OR Immediate Shifted	Book E
rfdi	Return From Critical Interrupt	Book E
rfdi	Return From Debug Interrupt	Debug
rfdi	Return From Interrupt	Book E
rlwimi	Rotate Left Word Immed then Mask Insert	Book E
rlwimi.	Rotate Left Word Immed then Mask Insert and record CR	Book E
rlwinm	Rotate Left Word Immed then AND with Mask	Book E
rlwinm.	Rotate Left Word Immed then AND with Mask and record CR	Book E
rlwnm	Rotate Left Word then AND with Mask	Book E
rlwnm.	Rotate Left Word then AND with Mask and record CR	Book E
sc	System Call	Book E
se_add	Add	VLE (32-bit opcodes)
se_addi	Add Immediate	VLE (32-bit opcodes)
se_and	AND	VLE (32-bit opcodes)
se_and.	AND and Record	VLE (32-bit opcodes)
se_andc	AND with Complement	VLE (32-bit opcodes)
se_andi	And Immediate	VLE (32-bit opcodes)
se_b	Branch	VLE (32-bit opcodes)
se_bc	Branch Conditional	VLE (32-bit opcodes)
se_bclri	Bit Clear Immediate	VLE (32-bit opcodes)

Table 3-13. Full Instruction Listing (continued)

Mnemonic	Instruction Name	Source
se_bctr	Branch to Count Register	VLE (32-bit opcodes)
se_bctrl	Branch to Count Register & Link	VLE (32-bit opcodes)
se_bgeni	Bit Generate Immediate	VLE (32-bit opcodes)
se_bl	Branch and Link	VLE (32-bit opcodes)
se_blr	Branch to Link Register	VLE (32-bit opcodes)
se_blrll	Branch to Link Register & Link	VLE (32-bit opcodes)
se_bmaski	Bit Mask Generate Immediate	VLE (32-bit opcodes)
se_bseti	Bit Set Immediate	VLE (32-bit opcodes)
se_btsti	Bit Test Immediate	VLE (32-bit opcodes)
se_cmp	Compare	VLE (32-bit opcodes)
se_cmph	Compare Halfword	VLE (32-bit opcodes)
se_cmphi	Compare Halfword Logical	VLE (32-bit opcodes)
se_cmpi	Compare Immediate	VLE (32-bit opcodes)
se_cmpl	Compare Logical	VLE (32-bit opcodes)
se_cmpli	Compare Logical Immediate	VLE (32-bit opcodes)
se_extsb	Extend Sign Byte	VLE (32-bit opcodes)
se_extsh	Extend Sign Halfword	VLE (32-bit opcodes)
se_extzb	Extend with Zeros Byte	VLE (32-bit opcodes)
se_extzh	Extend with Zeros Halfword	VLE (32-bit opcodes)
se_illegal	Illegal	VLE (32-bit opcodes)
se_isync	Instruction Synchronize	VLE (32-bit opcodes)
se_lbz	Load Byte and Zero	VLE (32-bit opcodes)
se_lhz	Load Halfword and Zero	VLE (32-bit opcodes)
se_li	Load Immediate	VLE (32-bit opcodes)
se_lwz	Load Word and Zero	VLE (32-bit opcodes)
se_mfar	Move from Alternate Register	VLE (32-bit opcodes)
se_mfctr	Move From Count Register	VLE (32-bit opcodes)
se_mflr	Move From Link Register	VLE (32-bit opcodes)
se_mr	Move Register	VLE (32-bit opcodes)
se_mtar	Move to Alternate Register	VLE (32-bit opcodes)
se_mtctr	Move To Count Register	VLE (32-bit opcodes)
se_mtlr	Move To Link Register	VLE (32-bit opcodes)
se_mullw	Multiply Low Word	VLE (32-bit opcodes)

Table 3-13. Full Instruction Listing (continued)

Mnemonic	Instruction Name	Source
se_neg	Negate	VLE (32-bit opcodes)
se_not	NOT	VLE (32-bit opcodes)
se_or	OR	VLE (32-bit opcodes)
se_rfc	Return From Critical Interrupt	VLE (32-bit opcodes)
se_rfd	Return From Debug Interrupt	VLE (32-bit opcodes)
se_rfi	Return From Interrupt	VLE (32-bit opcodes)
se_sc	System Call	VLE (32-bit opcodes)
se_slw	Shift Left Word	VLE (32-bit opcodes)
se_slwi	Shift Left Word Immediate	VLE (32-bit opcodes)
se_sraw	Shift Right Algebraic Word	VLE (32-bit opcodes)
se_srawi	Shift Right Algebraic Word Immediate	VLE (32-bit opcodes)
se_srw	Shift Right Word	VLE (32-bit opcodes)
se_srwi	Shift Right Word Immediate	VLE (32-bit opcodes)
se_stb	Store Byte	VLE (32-bit opcodes)
se_sth	Store Halfword	VLE (32-bit opcodes)
se_stw	Store Word	VLE (32-bit opcodes)
se_sub	Subtract	VLE (32-bit opcodes)
se_subf	Subtract From	VLE (32-bit opcodes)
se_subi	Subtract Immediate	VLE (32-bit opcodes)
se_subi.	Subtract Immediate and Record	VLE (32-bit opcodes)
slw	Shift Left Word	Book E
slw.	Shift Left Word and record CR	Book E
sraw	Shift Right Algebraic Word	Book E
sraw.	Shift Right Algebraic Word and record CR	Book E
srawi	Shift Right Algebraic Word Immediate	Book E
srawi.	Shift Right Algebraic Word Immediate and record CR	Book E
srw	Shift Right Word	Book E
srw.	Shift Right Word and record CR	Book E
stb	Store Byte	Book E
stbu	Store Byte with Update	Book E
stbux	Store Byte with Update Indexed	Book E
stbx	Store Byte Indexed	Book E
sth	Store Half Word	Book E

Table 3-13. Full Instruction Listing (continued)

Mnemonic	Instruction Name	Source
sthbrx	Store Half Word Byte-Reverse Indexed	Book E
sthu	Store Half Word with Update	Book E
sthux	Store Half Word with Update Indexed	Book E
sthx	Store Half Word Indexed	Book E
stmw	Store Multiple Word	Book E
stw	Store Word	Book E
stwbrx	Store Word Byte-Reverse Indexed	Book E
stwcx.	Store Word Conditional Indexed and record CR	Book E
stwu	Store Word with Update	Book E
stwux	Store Word with Update Indexed	Book E
stwx	Store Word Indexed	Book E
subf	Subtract From	Book E
subf.	Subtract From and record CR	Book E
subfc	Subtract From Carrying	Book E
subfc.	Subtract From Carrying and record CR	Book E
subfco	Subtract From Carrying and record OV	Book E
subfco.	Subtract From Carrying and record OV and CR	Book E
subfe	Subtract From Extended with CA	Book E
subfe.	Subtract From Extended with CA and record CR	Book E
subfeo	Subtract From Extended with CA and record OV	Book E
subfeo.	Subtract From Extended with CA and record OV and CR	Book E
subfic	Subtract From Immediate Carrying	Book E
subfme	Subtract From Minus One Extended with CA	Book E
subfme.	Subtract From Minus One Extended with CA and record CR	Book E
subfmeo	Subtract From Minus One Extended with CA and record OV	Book E
subfmeo.	Subtract From Minus One Extended with CA and record OV and CR	Book E
subfo	Subtract From and record OV	Book E
subfo.	Subtract From and record OV and CR	Book E
subfze	Subtract From Zero Extended with CA	Book E
subfze.	Subtract From Zero Extended with CA and record CR	Book E
subfzeo	Subtract From Zero Extended with CA and record OV	Book E
subfzeo.	Subtract From Zero Extended with CA and record OV and CR	Book E
tlbivax	TLB Invalidate Virtual Address Indexed	Book E

Table 3-13. Full Instruction Listing (continued)

Mnemonic	Instruction Name	Source
tlbre	TLB Read Entry	Book E
tlbsx	TLB Search Indexed	Book E
tlbsync	TLB Synchronize	Book E
tlbwe	TLB Write Entry	Book E
tw	Trap Word	Book E
twi	Trap Word Immediate	Book E
wrtee	Write External Enable	Book E
wrteei	Write External Enable Immediate	Book E
xor	XOR	Book E
xor.	XOR and record CR	Book E

Table 3-13. Full Instruction Listing (continued)

Mnemonic	Instruction Name	Source
xori	XOR Immediate	Book E
xoris	XOR Immediate Shifted	Book E

- ¹ An implementation can restrict the number of bits specified in a mask. Devices that implements 16-bit instructions are limited to 16 bits, which allows the user to perform bit-reversed address computations for 65536-byte samples.
- ² Not supported by e200z3 unless the integrated device includes a cache; treated as no-ops, with the exception of **dcbz**, which results in an alignment interrupt, and **dcbi**, which is treated as a privileged no-op.
- ³ See Section 3.7, “Memory Synchronization and Reservation Instructions.”
- ⁴ The core CPU will take an illegal instruction exception for unsupported DCR values.

Chapter 4

Interrupts and Exceptions

This chapter provides a general description of the PowerPC Book E interrupt and exception model and gives details of the additions and changes to that model that are implemented in the e200z3 and e200z335 core. This chapter identifies features defined by Book E, the Freescale Book E implementation standards (EIS), and the e200z3 implementation.

4.1 Overview

Book E defines the mechanisms by which the e200z3 core implements interrupts and exceptions. Note the following definitions:

Interrupt	Action in which the processor saves its old context and begins execution at a predetermined interrupt handler address
Exceptions	Events that, if enabled, cause the processor to take an interrupt

The PowerPC exception mechanism allows the processor to change to supervisor state for the following reasons:

- As a result of unusual conditions (exceptions) arising in the execution of instructions
- As a response to the assertion of external signals, bus errors, or various internal conditions

When an interrupt occurs, information about the processor state held in the MSR and the address at which execution should resume after the interrupt is handled are saved to a pair of save/restore registers (SRR0/SRR1 for non-critical interrupts, CSRR0/CSRR1 for critical interrupts, or DSRR0/DSRR1 for debug interrupts when the debug APU is enabled), and the processor begins executing at an address (interrupt vector) determined by the interrupt vector prefix register (IVPR) and an interrupt-specific interrupt vector offset register (IVOR n). Processing of instructions within the interrupt handler begins in supervisor mode.

Multiple exception conditions can map to a single interrupt vector and may be distinguished by examining registers associated with the interrupt. The exception syndrome register (ESR) is updated with information specific to the exception type when an interrupt occurs.

To prevent loss of state information, interrupt handlers must save the information stored in the save/restore registers soon after the interrupt is taken. Hardware supports nesting of critical interrupts within non-critical interrupts, and debug interrupts within both critical and non-critical interrupts. The interrupt handler must save necessary state information if interrupts of a given class are re-enabled within the handler.

The following terms are used to describe the stages of exception processing:

Recognition	Exception recognition occurs when the condition that can cause an exception is identified by the processor. Recognition is also referred to as an ‘exception event.’
Taken	An interrupt is said to be taken when control of instruction execution is passed to the interrupt handler; that is, the context is saved, the instruction at the appropriate vector offset is fetched, and the interrupt handler routine begins.
Handling	Interrupt handling is performed by the software linked to the appropriate vector offset. Interrupt handling is begun in supervisor mode.

Returning from an interrupt is performed by executing the appropriate return from interrupt instruction (**rfi**, **rfdi**, or **rfdi**), which restores state information from their respective save/restore registers and returns instruction fetching to the interrupted flow.

4.2 e200z3 Interrupts

The Book E architecture specifies that interrupts can be precise or imprecise, synchronous or asynchronous, and critical or non-critical. These characteristics are described as follows:

- Asynchronous exceptions are caused by events external to the processor’s instruction execution.
- Synchronous exceptions are directly caused by instructions or by an event somehow synchronous to the program flow, such as a context switch.
- A precise interrupt architecturally guarantees that no instruction beyond the instruction causing the exception has (visibly) executed. An imprecise interrupt does not have this guarantee.
- Book E defines critical and non-critical interrupt types, and the e200z3 defines an implementation-specific debug APU that includes the debug interrupt type. Each interrupt type provides separate resources (save/restore registers and return from interrupt instructions) that allow interrupts of one type to not interfere with the state handling of an interrupt of another type.

Table 4-1 describes how these definitions apply to the interrupts implemented by the e200z3 core.

Table 4-1. Interrupt Classifications

Interrupt Types	Synchronous/Asynchronous	Precise/Imprecise	Critical/Non-Critical/Debug
System reset	Asynchronous, non-maskable	Imprecise	—
Machine check	—	—	Critical
Critical input Watchdog timer	Asynchronous, maskable	Imprecise	Critical
External input Fixed-interval timer Decrementer	Asynchronous, maskable	Imprecise	Non-critical
Instruction-based debug	Synchronous	Precise	Critical/debug
Debug (UDE) Debug imprecise	Asynchronous	Imprecise	Critical/debug
Data storage/alignment/TLB Instruction storage/TLB	Synchronous	Precise	Non-critical

The classifications in [Table 4-1](#) are discussed in greater detail in [Section 4.6, “Interrupt Definitions.”](#) [Table 4-2](#) lists interrupts implemented in the e200z3 and the exception conditions that cause them. Note that although this table lists system reset, Book E does not define system reset as an interrupt and assigns no interrupt vector to it.

Table 4-2. Exceptions and Conditions

Interrupt Type	IVOR n	Cause	Section/Page
System reset (not an interrupt)	None ¹	<ul style="list-style-type: none"> Reset by assertion of <i>p_reset_b</i> Watchdog timer reset control Debug reset control 	—
Critical input	0 ²	<i>p_critint_b</i> is asserted and MSR[CE]=1	4.6.1/4-10
Machine check	1	<ul style="list-style-type: none"> <i>p_mcp_b</i> is asserted and MSR[ME] = 1 ISI, ITLB error on first instruction fetch for an exception handler and current MSR[ME] = 1 Write bus error on buffered store or cache line push and current MSR[ME]=1 Bus error (XTE) with MSR[EE]=0 and current MSR[ME]=1 Non-maskable interrupt (<i>p_nmi_b</i> recognized asserted) regardless of MSR[ME] 	4.6.2/4-11
Data storage	2	<ul style="list-style-type: none"> Access control Byte ordering due to misaligned access across page boundary to pages with mismatched E bits Precise external termination error (<i>p_d_tea_b</i> assertion and precise recognition) and MSR[EE]=1 	4.6.3/4-13
Instruction storage	3	<ul style="list-style-type: none"> Access control Precise external termination error (<i>p_i_tea_b</i> assertion and precise recognition) and MSR[EE]=1 Byte ordering due to misaligned instruction across page boundary to pages with mismatched VLE bits, or access to page with VLE set, and E indicating little-endian. Misaligned Instruction fetch due to a change of flow to an odd halfword instruction boundary on a Book E (non-VLE) instruction page, due to value in LR, CTR, or xSRR0 	4.6.4/4-14
External input	4 ²	<i>p_extint_b</i> is asserted and MSR[EE]=1	4.6.5/4-15
Alignment	5	<ul style="list-style-type: none"> lmw, stmw not word aligned lwarx or stwcx. not word aligned dcbz with disabled cache, or no cache present, or to W or I storage 	4.6.6/4-16
Program	6	Illegal, privileged, trap, floating-point enabled, APU enabled, unimplemented operation	4.6.7/4-16
Floating-point unavailable	7	MSR[FP] = 0 and attempt to execute a Book E floating-point operation	4.6.8/4-17
System call	8	Execution of the system call (sc) instruction	4.6.9/4-18
APU unavailable	9	Unused by the e200z3	4.6.10/4-18
Decrementer	10	As specified in Book E	4.6.11/4-19
Fixed-interval timer	11	As specified in Book E	4.6.12/4-19
Watchdog timer	12	As specified in Book E	4.6.13/4-20
Data TLB error	13	Data translation lookup did not match a valid TLB entry.	4.6.14/4-21

Table 4-2. Exceptions and Conditions (continued)

Interrupt Type	IVOR n	Cause	Section/Page
Instruction TLB error	14	Instruction translation lookup did not match a valid TLB entry.	4.6.15/4-21
Debug	15	Trap, instruction address compare, data address compare, instruction complete, branch taken, return from interrupt, interrupt taken, debug counter, external debug event, unconditional debug event	4.6.16/4-22
Reserved	6–31	—	—
SPE unavailable	32	See Section 4.6.18, “SPE APU Unavailable Interrupt (IVOR32).”	4.6.18/4-26
SPE data	33	See Section 4.6.19, “SPE Floating-Point Data Interrupt (IVOR33).”	4.6.19/4-27
SPE round	34	See Section 4.6.20, “SPE Floating-Point Round Interrupt (IVOR34).”	4.6.20/4-27

¹ Vector to [p_rstbase[0:19]] || 0xFFC in e200z3. Vector to [p_rstbase[0:29]] || 2'b00 in e200z335.

² Autovectored external and critical input interrupts use this IVOR. Vectored interrupts supply an interrupt vector offset directly.

4.3 Exception Syndrome Register (ESR)

ESR, shown in Figure 4-1, provides a syndrome to distinguish exceptions that can generate the same interrupt type. The e200z3 adds some implementation-specific bits to this register.

	32	35	36	37	38	39	40	41	42	43	44	45	46	47	48	55	56	57	58	59	61	62	63
Field	—	PIL	PPR	PTR	FP	ST	—	DLK	ILK	AP	PUO	BO	PIE	—	SPE	—	VLEMI	—	MIF	XTE			
Reset	All zeros																						
R/W	R/W																						
SPR	SPR 62																						

Figure 4-1. Exception Syndrome Register (ESR)

The ESR fields are described in Table 4-3.

Table 4-3. ESR Field Descriptions

Bit(s)	Name	Description	Associated Interrupt Type
32–35	—	Reserved, should be cleared.	—
36	PIL	Illegal instruction exception	Program
37	PPR	Privileged instruction exception	Program
38	PTR	Trap exception	Program
39	FP	Floating-point operation	Alignment, data storage, data TLB, program
40	ST	Store operation	Alignment, data storage, data TLB
41	—	Reserved, should be cleared.	—
42	DLK	Data cache locking ¹	Data storage
43	ILK	Instruction cache locking	Data storage`

Table 4-3. ESR Field Descriptions (continued)

Bit(s)	Name	Description	Associated Interrupt Type
44	AP	Auxiliary processor operation. (unused in the e200z3)	Alignment, data storage, data TLB, program
45	PUO	Unimplemented operation exception	Program
46	BO	Byte ordering exception	Data storage
47	PIE	Program imprecise exception—Unused in the e200z3 (Reserved, should be cleared.)	—
48–55	—	Reserved, should be cleared.	—
56	SPE	SPE APU operation	SPE unavailable, SPE floating-point data exception, SPE floating-point round exception, alignment, data storage, data TLB
57	—	Reserved, should be cleared.	—
58	VLEMI	VLE mode instruction	SPE unavailable, SPE floating-point data exception, SPE floating-point round exception, data storage, data TLB, instruction storage, alignment, program, and system call
59–61	—	Reserved, should be cleared.	—
62	MIF	Misaligned instruction fetch	Instruction storage, instruction TLB
63	XTE	External termination error (precise)	Data storage, instruction storage

¹ When optional cache is present. Unused on e200z3 and e200z335.

4.4 Machine State Register (MSR)

The MSR, shown in [Figure 4-4](#), defines the state of the processor.

	32	36	37	38	39	44	45	46	47	48	49	50	51	52	53	54	55	56	57	58	59	60	62	63
Field	—	UCLE	SPE	—	—	WE	CE	—	EE	PR	FP	ME	FE0	UBLE	DE	FE1	—	IS	DS	—	RI ¹	—	—	
Reset	All zeros																							
R/W	R/W																							

Figure 4-2. Machine State Register (MSR)

¹ RI bit in e200z335 only.

The MSR bits are described in [Table 4-4](#).

Table 4-4. MSR Field Descriptions

Bits	Name	Description
32–36	—	Reserved, should be cleared.
37	UCLE	User cache lock enable. (Implemented, but ignored by e200z3) 0 Execution of the cache locking instructions in user mode (MSR[PR] = 1) disabled; data storage interrupt taken instead, and ILK or DLK is set in the ESR. 1 Execution of the cache lock instructions in user mode enabled
38	SPE	SPE available 0 Execution of SPE APU vector instructions is disabled; SPE Unavailable exception taken instead, and ESR[SPE] is set. 1 Execution of SPE APU vector instructions is enabled.
39–44	—	Reserved, should be cleared.
45	WE	Wait state (power management) enable. Defined as optional by Book E and implemented in the e200z3. 0 Power management is disabled. 1 Power management is enabled. The processor can enter a power-saving mode when additional conditions are present. The mode chosen is determined by HID0[DOZE,NAP,SLEEP], described in Section 2.13.1 , “Hardware Implementation-Dependent Register 0 (HID0).”
46	CE	Critical interrupt enable 0 Critical input and watchdog timer interrupts are disabled. 1 Critical input and watchdog timer interrupts are enabled.
47	—	Reserved
48	EE	External interrupt enable 0 External input, decremter, and fixed-interval timer interrupts are disabled. 1 External input, decremter, and fixed-interval timer interrupts are enabled.
49	PR	Problem state 0 The processor is in supervisor mode, can execute any instruction, and can access any resource (for example, GPRs, SPRs, MSR, etc.). 1 The processor is in user mode, cannot execute any privileged instruction, and cannot access any privileged resource.
50	FP	Floating-point available 0 Floating-point unit is unavailable. The processor cannot execute floating-point instructions, including floating-point loads, stores, and moves. (An FP unavailable interrupt is generated on attempted execution of floating-point instructions). 1 Floating-point unit is available. The processor can execute floating-point instructions. (Note that for the e200z3, the floating-point unit is not supported; an unimplemented operation exception is generated for attempted execution of floating-point instructions when FP is set).
51	ME	Machine check enable 0 Machine check interrupts are disabled. Checkstop mode is entered when <i>p_mcp_b</i> is recognized asserted or an ISI or ITLB exception occurs on a fetch of the first instruction of an exception handler. 1 Machine check interrupts are enabled.
52	FE0	Floating-point exception mode 0 (not used by the e200z3)
53	—	Reserved, should be cleared.
54	DE	Debug interrupt enable 0 Debug interrupts are disabled. 1 Debug interrupts are enabled if DBCR0[IDM] is set.
55	FE1	Floating-point exception mode 1 (not used by the e200z3)

Table 4-4. MSR Field Descriptions (continued)

Bits	Name	Description
56	—	Reserved, should be cleared.
57	—	Reserved, should be cleared.
58	IS	Instruction address space 0 The processor directs all instruction fetches to address space 0 (TS=0 in the relevant TLB entry). 1 The processor directs all instruction fetches to address space 1 (TS=1 in the relevant TLB entry).
59	DS	Data address space 0 The core directs all data storage accesses to address space 0 (TS=0 in the relevant TLB entry). 1 The core directs all data storage accesses to address space 1 (TS=1 in the relevant TLB entry).
60–61	—	Reserved, should be cleared.
62	RI	Recoverable Interrupt (e200z335 only) 0 Machine Check interrupt is not recoverable. 1 Machine Check interrupt may be recoverable. This bit is cleared when a Machine check or critical class interrupt which uses CSRR0/1 is taken. It is not set by hardware, and does not affect processor operation. It is provided as a software assist to determine if machine check interrupts may be recoverable.
63	—	Reserved, should be cleared.

4.4.1 Machine Check Syndrome Register (MCSR)

When the core complex takes a machine check interrupt, it updates MCSR, shown in [Figure 4-3](#), to identify machine check conditions. The MCSR also indicates whether the source of a machine check condition is recoverable. When an MCSR bit is set, the core complex asserts *p_mcp_out* for system information.

	32	33	34	35	36	37	42	43	44	58	59	60	61	62	63
Field	MCP	—	CP_PERR	CPERR	EXCP_ERR	—	NMI ¹			BUS_IRERR	BUS_DRERR	BUS_WRERR	—		
Reset	All zeros														
R/W	R/W														

¹ NMI bit in e200z335 only

Figure 4-3. Machine Check Syndrome register (MCSR)

[Table 4-5](#) describes MCSR fields.

Table 4-5. MCSR Field Descriptions

Bits	Name	Description	Recoverable
32	MCP	Machine check input pin	Maybe
33	—	Reserved, should be cleared.	—
34	CP_PERR	Cache push parity error ¹	Unlikely
35	CPERR	Cache parity error ¹	Precise

Table 4-5. MCSR Field Descriptions (continued)

Bits	Name	Description	Recoverable
36	EXCP_ERR	ISI, ITLB, or bus error on first instruction fetch for an interrupt handler	Precise
37–42	—	Reserved, should be cleared.	—
43	NMI	Non-maskable interrupt input signal (e200z335 only)	Maybe
44–58	—	Reserved, should be cleared.	—
59	BUS_IRERR	Read bus error on instruction fetch	Unlikely
60	BUS_DRERR	Read bus error on data load	Unlikely
61	BUS_WRERR	Write bus error on buffered store or cache line push	Unlikely
62–63	—	Reserved, should be cleared.	—

¹ This bit is implemented but must never be set by hardware.

4.4.1.1 Interrupt Vector Prefix Register (IVPR)

The IVPR, shown in [Figure 4-4](#), is used during interrupt processing for determining the starting address for the software interrupt handler. The value contained in the vector offset field of the IVOR selected for a particular interrupt type is concatenated with the value in the IVPR to form an instruction address from which execution is to begin.

	32	47	48	63
Field	Vector Base		—	
Reset	Undefined on <i>m_por</i> assertion, unchanged on <i>p_reset_b</i> assertion			
R/W	R/W			
SPR	SPR 63			

Figure 4-4. Interrupt Vector Prefix Register (IVPR)

IVPR fields are defined in [Table 4-6](#).

Table 4-6. IVPR Field Descriptions

Bits	Name	Description
32–47	Vector Base	Defines the base location of the vector table, aligned to a 64-Kbyte boundary. This field provides the high-order 16 bits of the location of all interrupt handlers. The contents of the IVOR _{<i>n</i>} appropriate for the type of exception being processed are concatenated with the IVPR vector base to form the address of the handler in memory.
48–63	—	Reserved, should be cleared.

4.5 Interrupt Vector Offset Registers (IVOR_{*n*})

IVORs are used during interrupt processing for determining the starting address of a software interrupt handler. The value in the vector offset field of the IVOR assigned to the interrupt type is concatenated with the value in IVPR to form an instruction address at which execution is to begin. The e200z3 also defines the low-order bits of the IVORs (defined as zeros in Book E) as a context selector field to be used as the

current context number once interrupt handling begins when multiple hardware contexts are supported (CTXCR[**NUMCTX**] ≠ 0). For forward compatibility, this field should be written to zero when only a single context is supported because it will not be implemented and is read as zero.

	32	47 48	59 60	63
Field	—		Vector Offset	— CS
Reset	Unaffected			
R/W	R/W			
SPR	See Table 4-8 .			

Figure 4-5. Interrupt Vector Offset Registers (IVOR)

The IVOR fields are defined in [Table 4-7](#).

Table 4-7. IVOR Register Fields

Bits	Name	Description
32–47	—	Reserved, should be cleared.
48–59	Vector Offset	Vector offset. Provides a quadword index from the base address provided by the IVPR to locate an interrupt handler.
60	—	Reserved, should be cleared.
61–63	CS	Context selector. When multiple hardware contexts are supported, this selects an operating context for the interrupt handler. This value is loaded into the CURCTX field of the context control register as part of the interrupt vectoring process. This field is not defined by PowerPC Book E. When multiple hardware contexts are not supported, this field is not implemented and is read as zero.

IVOR SPR assignments are shown in [Table 4-8](#).

Table 4-8. IVOR Assignments

IVOR Number	SPR	Interrupt Type
IVOR0	400	Critical input
IVOR1	401	Machine check
IVOR2	402	Data storage
IVOR3	403	Instruction storage
IVOR4	404	External input
IVOR5	405	Alignment
IVOR6	406	Program
IVOR7	407	Floating-point unavailable
IVOR8	408	System call
IVOR9	409	Auxiliary processor unavailable. Not used by the e200z3.
IVOR10	410	Decrementer

Table 4-8. IVOR Assignments (continued)

IVOR Number	SPR	Interrupt Type
IVOR11	411	Fixed-interval timer interrupt
IVOR12	412	Watchdog timer interrupt
IVOR13	413	Data TLB error
IVOR14	414	Instruction TLB error
IVOR15	415	Debug
IVOR16–IVOR31	—	Reserved for future architectural use
-Specific IVORs (Defined by the EIS)		
IVOR32	528	SPE APU unavailable
IVOR33	529	SPE floating-point data exception
IVOR34	530	SPE floating-point round exception

4.6 Interrupt Definitions

The following sections describe interrupts as they are implemented on the e200z3.

4.6.1 Critical Input Interrupt (IVOR0)

A critical input exception is signaled to the processor by the assertion of the critical interrupt pin ($p_critint_b$). When the e200z3 detects the exception, if critical interrupts are enabled ($MSR[CE] = 1$), the e200z3 takes the critical input interrupt. The $p_critint_b$ input is a level-sensitive signal expected to remain asserted until the e200z3 acknowledges the interrupt. If $p_critint_b$ is negated early, recognition of the interrupt request is not guaranteed. After the e200z3 begins execution of the critical interrupt handler, the system can safely negate $p_critint_b$.

A critical input interrupt may be delayed by other higher priority exceptions or if $MSR[CE]$ is cleared when the exception occurs.

Table 4-9 lists register settings when a critical input interrupt is taken.

Table 4-9. Critical Input Interrupt Register Settings

Register	Setting Description															
CSRR0	Set to the effective address of the instruction that the processor would have attempted to execute next if no exception conditions were present.															
CSRR1	Set to the contents of the MSR at the time of the interrupt.															
MSR	<table style="width: 100%; border: none;"> <tr> <td style="width: 33%;">UCLE 0</td> <td style="width: 33%;">PR 0</td> <td style="width: 33%;">DE $—/0^1$</td> </tr> <tr> <td>SPE 0</td> <td>FP 0</td> <td>FE1 0</td> </tr> <tr> <td>WE 0</td> <td>ME —</td> <td>IS 0</td> </tr> <tr> <td>CE 0</td> <td>FE0 0</td> <td>DS 0</td> </tr> <tr> <td>EE 0</td> <td></td> <td>RI 0^2</td> </tr> </table>	UCLE 0	PR 0	DE $—/0^1$	SPE 0	FP 0	FE1 0	WE 0	ME —	IS 0	CE 0	FE0 0	DS 0	EE 0		RI 0^2
UCLE 0	PR 0	DE $—/0^1$														
SPE 0	FP 0	FE1 0														
WE 0	ME —	IS 0														
CE 0	FE0 0	DS 0														
EE 0		RI 0^2														
ESR	Unchanged															

Table 4-9. Critical Input Interrupt Register Settings (continued)

Register	Setting Description
MCSR	Unchanged
DEAR	Unchanged
Vector	IVPR[32–47] IVOR0[48–59] 0b0000 (autovectored) IVPR[32–47] <i>p_voffset</i> [0:11] 0b0000 (non-autovectored)

¹ DE is cleared when the debug APU is disabled. Clearing of DE is optionally supported by control in HID0 when the debug APU is enabled.

² RI is cleared by all critical class interrupts using CSRR0/1 and the machine check interrupt. These interrupt handlers should set RI early in the handler after CSRR0/1 have been saved to allow for improved recoverability.

When the debug APU is enabled, MSR[DE] is not automatically cleared by a critical input interrupt but can be configured to be cleared through HID0 (HID0[CICLRDE]). Refer to [Section 2.13.1, “Hardware Implementation-Dependent Register 0 \(HID0\).”](#)

IVOR0 is the vector offset register used by autovectored critical input interrupts to determine the interrupt handler location. The e200z3 also provides the capability to directly vector critical input interrupts to multiple handlers by allowing a critical input interrupt request to be accompanied by a vector offset. The *p_voffset*[0:11] inputs are used in place of the value in IVOR0 to form the interrupt vector when a critical input interrupt request is not autovectored (*p_avec_b* negated when *p_critint_b* asserted).

4.6.2 Machine Check Interrupt (IVOR1)

The e200z3 implements the machine check exception as defined in Book E except for automatic clearing of MSR[DE]. The e200z3 initiates a machine check interrupt if MSR[ME]=1 and any of the machine check sources listed in [Table 4-2](#) is detected. As defined in Book E, the interrupt is not taken if MSR[ME] is cleared, in which case the processor generates an internal checkstop condition and enters checkstop state. When a processor is in checkstop state, instruction processing is suspended and generally cannot continue without restarting the processor. Note that other conditions may lead to the checkstop condition; the disabled machine check exception is only one of these.

The e200z3 implements MCSR to record the sources of machine checks. See [Section 4.4.1, “Machine Check Syndrome Register \(MCSR\),”](#) for more information.

MSR[DE] is not automatically cleared by a machine check exception but can be configured to be cleared or left unchanged through HID0[MCCLRDE]. See [Section 2.13.1, “Hardware Implementation-Dependent Register 0 \(HID0\).”](#)

4.6.2.1 Machine Check Interrupt Enabled (MSR[ME]=1)

Machine check interrupts are enabled when MSR[ME]=1. When a machine check interrupt is taken, registers are updated as shown in [Table 4-10](#).

Table 4-10. Machine Check Interrupt Register Settings

Register	Setting Description															
CSRR0	On a best-effort basis, the e200z3 sets this to the address of some instruction that was executing or about to be executing when the machine check condition occurred.															
CSRR1	Set to the contents of the MSR at the time of the interrupt															
MSR	<table style="width: 100%; border: none;"> <tr> <td style="width: 33%;">UCLE 0</td> <td style="width: 33%;">EE 0</td> <td style="width: 33%;">DE 0¹</td> </tr> <tr> <td>SPE 0</td> <td>PR 0</td> <td>FE1 0</td> </tr> <tr> <td>WE 0</td> <td>FP 0</td> <td>IS 0</td> </tr> <tr> <td>CE 0</td> <td>ME 0</td> <td>DS 0</td> </tr> <tr> <td></td> <td></td> <td>RI 0²</td> </tr> </table>	UCLE 0	EE 0	DE 0 ¹	SPE 0	PR 0	FE1 0	WE 0	FP 0	IS 0	CE 0	ME 0	DS 0			RI 0 ²
UCLE 0	EE 0	DE 0 ¹														
SPE 0	PR 0	FE1 0														
WE 0	FP 0	IS 0														
CE 0	ME 0	DS 0														
		RI 0 ²														
ESR	Unchanged															
MCSR	Updated to reflect the sources of a machine check															
DEAR	Unchanged unless machine check is due to a data access causing a cache parity error to be signaled; updated with data access effective address in that case															
Vector	IVPR[32–47] IVOR1[48–59] 0b0000															

¹ Cleared when the debug APU is disabled. Clearing of DE is optionally supported by control in HID0 when the debug APU is enabled.

² RI is cleared by all critical class interrupts using CSRR0/1 and the machine check interrupt. These interrupt handlers should set RI early in the handler after CSRR0/1 have been saved to allow for improved recoverability.

The machine check input, *p_mcp_b*, can be masked by HID0[EMCP].

Most machine check exceptions are unrecoverable in the sense that execution cannot resume in the context that existed before the interrupt. However, system software can use the machine check interrupt handler to try to identify and recover from the machine check condition. In particular, the MCSR is provided to identify the sources of a machine check and may be used to identify recoverable events.

The interrupt handler should set MSR[ME] as early as possible to avoid entering checkstop state if another machine check condition occurs.

4.6.2.2 Checkstop State

The following exception conditions can cause a checkstop if MSR[ME]=0:

- A machine check occurs (other than a non-maskable interrupt).
- First instruction in an interrupt handler cannot be executed due to a translation miss (ITLB), a page marked no execute (ISI), or a bus error termination.
- Bus error termination for a buffered store .
- Precise external termination error occurs and MSR[EE]=0.

Non-exception-related checkstop conditions are as follows:

- TCR[WRC]—Watchdog reset control bits set to checkstop on second watchdog timer overflow event

When a processor is in checkstop state, instruction processing is suspended and generally cannot resume without the processor being reset. To indicate that a checkstop condition exists, the *p_chkstop* output is asserted whenever the CPU is in checkstop state.

When a debug request is presented to the e200z3 core while it is in checkstop state, *p_wakeup* is asserted, and when *m_clk* is provided to the core, it temporarily exits checkstop state and enters debug mode. The *p_chkstop* output is negated while the core remains in a debug session (*p_debug_b* asserted). When the debug session is exited, the core re-enters checkstop state. Note that the external system logic may be in an undefined state following a checkstop condition, such as having an outstanding bus transaction or other inconsistency; thus, no guarantee can be made in general about activities performed in debug mode while a checkstop is outstanding. Debug logic can generate assertion of *p_resetout_b* through DBCR0.

4.6.2.3 Non-Maskable Interrupts (NMI) (e200z335 only)

The e200z335 implements a non-maskable interrupt in addition to the machine check sources defined by <asisitalic>PowerPC Book E. The non-maskable interrupt is signaled via the *p_nmi_b* input. Non-maskable interrupt are not gated by MSR[ME], and a non-maskable interrupt occurring with MSR[ME]=0 does not result in a checkstop condition. Zen provides the MSR[RI] bit to indicate whether these non-maskable interrupts are potentially recoverable. Since a non-maskable interrupt overwrites the CSRR0/1 registers, if these registers are currently holding essential state because a critical class interrupt handler has not yet been able to save this state away safely, and a non-maskable interrupt occurs, no recovery from the earlier critical class interrupt is possible. The machine check handler may use the value of CSRR1[RI] to determine if this has occurred. If CSRR1[RI] is cleared, then no recovery is possible, since MSR[RI] was 0 at the time of the non-maskable interrupt, indicating that the CSRR0/1 registers had not yet been saved. Critical class and machine check interrupt handlers should save the state of CSRR0/1 and then set MSR[RI] as soon as is practical to ensure the best chance of recovery from a non-maskable interrupt.

4.6.3 Data Storage Interrupt (IVOR2)

A data storage interrupt may occur if no higher priority exception exists and one of the following exists:

- Read or write access control exception condition
- Byte-ordering exception condition
- External termination error (precise) and MSR[EE]=1

Access control is defined as in Book E. A byte-ordering exception condition occurs for any misaligned access across a page boundary to pages with mismatched E bits. Precise external termination errors occur when a load or guarded store is terminated by assertion of a *p_d_tea_b*=ERROR termination response.

Table 4-11 lists register settings when a DSI is taken.

Table 4-11. Data Storage Interrupt Register Settings

Register	Setting Description
SRR0	Set to the effective address of the excepting load/store instruction
SRR1	Set to the contents of the MSR at the time of the interrupt

Table 4-11. Data Storage Interrupt Register Settings (continued)

Register	Setting Description															
MSR	<table style="width:100%; border:none;"> <tr> <td style="width:33%;">UCLE 0</td> <td style="width:33%;">PR 0</td> <td style="width:33%;">DE —</td> </tr> <tr> <td>SPE 0</td> <td>FP 0</td> <td>FE1 0</td> </tr> <tr> <td>WE 0</td> <td>ME —</td> <td>IS 0</td> </tr> <tr> <td>CE —</td> <td>FE0 0</td> <td>DS 0</td> </tr> <tr> <td>EE 0</td> <td></td> <td>RI —</td> </tr> </table>	UCLE 0	PR 0	DE —	SPE 0	FP 0	FE1 0	WE 0	ME —	IS 0	CE —	FE0 0	DS 0	EE 0		RI —
UCLE 0	PR 0	DE —														
SPE 0	FP 0	FE1 0														
WE 0	ME —	IS 0														
CE —	FE0 0	DS 0														
EE 0		RI —														
ESR	<table style="width:100%; border:none;"> <tr> <td style="width:33%;">Access:</td> <td colspan="2">[ST], [VLEMI]. All other bits cleared.</td> </tr> <tr> <td>Byte ordering:</td> <td colspan="2">[ST], [VLEMI], BO. All other bits cleared.</td> </tr> <tr> <td>External termination error (precise):</td> <td colspan="2">[ST], [VLEMI], XTE. All other bits cleared.</td> </tr> </table>	Access:	[ST], [VLEMI]. All other bits cleared.		Byte ordering:	[ST], [VLEMI], BO. All other bits cleared.		External termination error (precise):	[ST], [VLEMI], XTE. All other bits cleared.							
Access:	[ST], [VLEMI]. All other bits cleared.															
Byte ordering:	[ST], [VLEMI], BO. All other bits cleared.															
External termination error (precise):	[ST], [VLEMI], XTE. All other bits cleared.															
MCSR	Unchanged															
DEAR	For access and byte-ordering exceptions, set to the effective address of a byte within the page whose access caused the violation.															
Vector	IVPR[32–47] IVOR2[48–59] 0b0000															

4.6.4 Instruction Storage Interrupt (IVOR3)

An instruction storage interrupt (ISI) occurs when no higher priority exception exists and an execute access control exception occurs. This interrupt is implemented as defined by Book E, except for the following:

- The byte-ordering condition does not occur in the e200z3
- The addition of precise external termination errors that occur when an instruction fetch is terminated by assertion of a *p_i_tea_b*=ERROR termination response and MSR[EE]=1
- Misaligned instruction fetch exceptions
- The extension of the byte ordering exception cases.

Exception extensions implemented in e200z3 for VLE involve extending the definition of the instruction storage interrupt to include the following:

- Byte-ordering exceptions for instruction accesses
- Misaligned instruction fetch exceptions
- Corresponding updates to the ESR as shown in [Table 4-12](#) and [Table 4-13](#)

Table 4-12. ISI Exceptions and Conditions

Interrupt Type	IVOR	Causing Conditions
Instruction storage	IVOR 3	<ul style="list-style-type: none"> • Access control. • Precise external termination error (<i>p_tea_b</i> assertion and precise recognition) and MSR[EE]=1. • Byte ordering due to misaligned instruction across page boundary to pages with mismatched VLE bits, or access to page with VLE set, and E indicating little-endian. • Misaligned Instruction fetch due to a change of flow to an odd halfword instruction boundary on a Book E (non-VLE) instruction page, due to value in LR, CTR, or xSRR0

[Table 4-13](#) lists register settings when an ISI is taken.

Table 4-13. Instruction Storage Interrupt Register Settings

Register	Setting Description															
SRR0	Set to the effective address of the excepting instruction.															
SRR1	Set to the contents of the MSR at the time of the interrupt															
MSR	<table style="width: 100%; border: none;"> <tr> <td style="width: 33%;">UCLE 0</td> <td style="width: 33%;">PR 0</td> <td style="width: 33%;">DE —</td> </tr> <tr> <td>SPE 0</td> <td>FP 0</td> <td>FE1 0</td> </tr> <tr> <td>WE 0</td> <td>ME —</td> <td>IS 0</td> </tr> <tr> <td>CE —</td> <td>FE0 0</td> <td>DS 0</td> </tr> <tr> <td>EE 0</td> <td></td> <td>RI —</td> </tr> </table>	UCLE 0	PR 0	DE —	SPE 0	FP 0	FE1 0	WE 0	ME —	IS 0	CE —	FE0 0	DS 0	EE 0		RI —
UCLE 0	PR 0	DE —														
SPE 0	FP 0	FE1 0														
WE 0	ME —	IS 0														
CE —	FE0 0	DS 0														
EE 0		RI —														
ESR	[XTE, BO, MIF, VLEM]. All other bits cleared.															
MCSR	Unchanged															
DEAR	Unchanged															
Vector	IVPR[32–47] IVOR3[48–59] 0b0000															

4.6.5 External Input Interrupt (IVOR4)

An external input exception is signaled to the processor by the assertion of the external interrupt input (*p_extint_b*), a level-sensitive signal expected to remain asserted until the e200z3 acknowledges the external interrupt. If *p_extint_b* is negated early, recognition of the interrupt request is not guaranteed. When the e200z3 detects the exception, if the exception is enabled by MSR[EE], the e200z3 takes an external input interrupt.

An external input interrupt may be delayed by other higher priority exceptions or if MSR[EE] is cleared when the exception occurs.

Table 4-14 lists register settings when an external input interrupt is taken.

Table 4-14. External Input Interrupt Register Settings

Register	Setting Description															
SRR0	Set to the effective address of the instruction the processor would attempt to execute next if no exception were present.															
SRR1	Set to the contents of the MSR at the time of the interrupt															
MSR	<table style="width: 100%; border: none;"> <tr> <td style="width: 33%;">UCLE 0</td> <td style="width: 33%;">PR 0</td> <td style="width: 33%;">DE —</td> </tr> <tr> <td>SPE 0</td> <td>FP 0</td> <td>FE1 0</td> </tr> <tr> <td>WE 0</td> <td>ME —</td> <td>IS 0</td> </tr> <tr> <td>CE —</td> <td>FE0 0</td> <td>DS 0</td> </tr> <tr> <td>EE 0</td> <td></td> <td>RI —</td> </tr> </table>	UCLE 0	PR 0	DE —	SPE 0	FP 0	FE1 0	WE 0	ME —	IS 0	CE —	FE0 0	DS 0	EE 0		RI —
UCLE 0	PR 0	DE —														
SPE 0	FP 0	FE1 0														
WE 0	ME —	IS 0														
CE —	FE0 0	DS 0														
EE 0		RI —														
ESR	Unchanged															
MCSR	Unchanged															
DEAR	Unchanged															
Vector	IVPR[32–47] IVOR4[48–59] 0b0000 IVPR[32–47] <i>p_voffset</i> [0:11] 0b0000 (non-autovectored)															

IVOR4 is the vector offset register used by autovector external input interrupts to determine the interrupt handler location. The e200z3 also provides the capability to directly vector external input interrupts to multiple handlers by allowing an external input interrupt request to be accompanied by a vector offset. The *p_voffset[0:11]* input signals are used in place of the value in IVOR4 when an external input interrupt request is not autovector (*p_avec_b* negated when *p_extint_b* asserted).

4.6.6 Alignment Interrupt (IVOR5)

The e200z3 implements the alignment interrupt as defined by Book E. An alignment exception is generated when any of the following occurs:

- The operand of **lmw** or **stmw** is not word-aligned.
- The operand of **lwarx** or **stwcx.** is not word-aligned.
- Execution of **dcbz** is attempted
- Execution is attempted of an SPE APU load or store instruction that is not properly aligned.

Table 4-15 lists register settings when an alignment interrupt is taken.

Table 4-15. Alignment Interrupt Register Settings

Register	Setting Description															
SRR0	Set to the effective address of the excepting load/store instruction.															
SRR1	Set to the contents of the MSR at the time of the interrupt															
MSR	<table style="width: 100%; border: none;"> <tr> <td style="width: 33%;">UCLE 0</td> <td style="width: 33%;">PR 0</td> <td style="width: 33%;">DE —</td> </tr> <tr> <td>SPE 0</td> <td>FP 0</td> <td>FE1 0</td> </tr> <tr> <td>WE 0</td> <td>ME —</td> <td>IS 0</td> </tr> <tr> <td>CE —</td> <td>FE0 0</td> <td>DS 0</td> </tr> <tr> <td>EE 0</td> <td></td> <td>RI —</td> </tr> </table>	UCLE 0	PR 0	DE —	SPE 0	FP 0	FE1 0	WE 0	ME —	IS 0	CE —	FE0 0	DS 0	EE 0		RI —
UCLE 0	PR 0	DE —														
SPE 0	FP 0	FE1 0														
WE 0	ME —	IS 0														
CE —	FE0 0	DS 0														
EE 0		RI —														
ESR	[ST], [VLEMI]. All other bits cleared.															
MCSR	Unchanged															
DEAR	Set to the effective address of a byte of the load or store whose access caused the violation.															
Vector	IVPR[32–47] IVOR5[48–59] 0b0000															

4.6.7 Program Interrupt (IVOR6)

The e200z3 implements the program interrupt as defined by Book E. A program interrupt occurs when no higher priority exception exists and one or more of the following exception conditions defined in Book E occur:

- Illegal instruction exception
- Privileged instruction exception
- Trap exception
- Unimplemented operation exception

The e200z3 invokes an illegal instruction program exception on attempted execution of the following instructions:

- Instruction from the illegal instruction class
- **mtspr** and **mfspr** instructions that specify an undefined SPR
- **mtdcr** and **mfdcr** instructions that specify an undefined DCR

The e200z3 invokes a privileged instruction program exception on attempted execution of the following instructions when MSR[PR]=1 (user mode):

- A privileged instruction
- **mtspr** and **mfspr** instructions that specify an SPRN value with SPRN[5] = 1 (even if the SPR is undefined).

The e200z3 invokes a trap exception on execution of **tw** and **twi** if the trap conditions are met and the exception is not also enabled as a debug interrupt.

The e200z3 invokes an unimplemented operation program exception on attempted execution of the instructions **lswi**, **lswx**, **stswi**, **stswx**, **mfapidi**, **mfdcrx**, **mtdcrx**, or any Book E floating-point instruction when MSR[FP]=1. All other defined or allocated instructions that are not implemented by the e200z3 cause an illegal instruction program exception.

Table 4-16 lists register settings when a program interrupt is taken.

Table 4-16. Program Interrupt Register Settings

Register	Setting Description															
SRR0	Set to the effective address of the excepting instruction.															
SRR1	Set to the contents of the MSR at the time of the interrupt.															
MSR	<table style="width: 100%; border: none;"> <tr> <td style="width: 33%;">UCLE 0</td> <td style="width: 33%;">PR 0</td> <td style="width: 33%;">DE —</td> </tr> <tr> <td>SPE 0</td> <td>FP 0</td> <td>FE1 0</td> </tr> <tr> <td>WE 0</td> <td>ME —</td> <td>IS 0</td> </tr> <tr> <td>CE —</td> <td>FE0 0</td> <td>DS 0</td> </tr> <tr> <td>EE 0</td> <td></td> <td>RI —</td> </tr> </table>	UCLE 0	PR 0	DE —	SPE 0	FP 0	FE1 0	WE 0	ME —	IS 0	CE —	FE0 0	DS 0	EE 0		RI —
UCLE 0	PR 0	DE —														
SPE 0	FP 0	FE1 0														
WE 0	ME —	IS 0														
CE —	FE0 0	DS 0														
EE 0		RI —														
ESR	<table style="width: 100%; border: none;"> <tr> <td style="width: 33%;">Illegal:</td> <td style="width: 66%;">PIL, [VLEMI]. All other bits cleared.</td> </tr> <tr> <td>Privileged:</td> <td>PPR, [VLEMI]. All other bits cleared.</td> </tr> <tr> <td>Trap:</td> <td>PTR, [VLEMI]. All other bits cleared.</td> </tr> <tr> <td>Unimplemented:</td> <td>PUO, [FP], [VLEMI]. All other bits cleared.</td> </tr> </table>	Illegal:	PIL, [VLEMI]. All other bits cleared.	Privileged:	PPR, [VLEMI]. All other bits cleared.	Trap:	PTR, [VLEMI]. All other bits cleared.	Unimplemented:	PUO, [FP], [VLEMI]. All other bits cleared.							
Illegal:	PIL, [VLEMI]. All other bits cleared.															
Privileged:	PPR, [VLEMI]. All other bits cleared.															
Trap:	PTR, [VLEMI]. All other bits cleared.															
Unimplemented:	PUO, [FP], [VLEMI]. All other bits cleared.															
MCSR	Unchanged															
DEAR	Unchanged															
Vector	IVPR[32–47] IVOR6[48–59] 0b0000															

4.6.8 Floating-Point Unavailable Interrupt (IVOR7)

The floating-point unavailable interrupt is implemented as defined in Book E. A floating-point unavailable interrupt occurs when no higher priority exception exists, an attempt is made to execute a Book E-defined floating-point instruction (including floating-point load, store, or move instructions), and the floating-point available bit in the MSR is cleared (MSR[FP]=0).

Table 4-17 lists register settings when a floating-point unavailable interrupt is taken.

Table 4-17. Floating-Point Unavailable Interrupt Register Settings

Register	Setting Description															
SRR0	Set to the effective address of the excepting instruction.															
SRR1	Set to the contents of the MSR at the time of the interrupt															
MSR	<table style="width: 100%; border: none;"> <tr> <td style="width: 33%;">UCLE 0</td> <td style="width: 33%;">FP 0</td> <td style="width: 33%;">FE1 0</td> </tr> <tr> <td>SPE 0</td> <td>ME —</td> <td>IS 0</td> </tr> <tr> <td>WE 0</td> <td>FE0 0</td> <td>DS 0</td> </tr> <tr> <td>CE —</td> <td>DE —</td> <td>RI —</td> </tr> <tr> <td>PR 0</td> <td></td> <td></td> </tr> </table>	UCLE 0	FP 0	FE1 0	SPE 0	ME —	IS 0	WE 0	FE0 0	DS 0	CE —	DE —	RI —	PR 0		
UCLE 0	FP 0	FE1 0														
SPE 0	ME —	IS 0														
WE 0	FE0 0	DS 0														
CE —	DE —	RI —														
PR 0																
ESR	Unchanged															
MCSR	Unchanged															
DEAR	Unchanged															
Vector	IVPR[32–47] IVOR7[48–59] 0b0000															

4.6.9 System Call Interrupt (IVOR8)

A system call interrupt occurs when a system call (**sc**, **se_sc**) is executed and no higher priority exception exists. Exception extensions implemented in e200z3 for VLE include modification of the system call interrupt definition to include updating the ESR.

Table 4-18 lists register settings when a system call interrupt is taken.

Table 4-18. System Call Interrupt Register Settings

Register	Setting Description															
SRR0	Set to the effective address of the instruction <i>following</i> the sc instruction.															
SRR1	Set to the contents of the MSR at the time of the interrupt															
MSR	<table style="width: 100%; border: none;"> <tr> <td style="width: 33%;">UCLE 0</td> <td style="width: 33%;">PR 0</td> <td style="width: 33%;">DE —</td> </tr> <tr> <td>SPE 0</td> <td>FP 0</td> <td>FE1 0</td> </tr> <tr> <td>WE 0</td> <td>ME —</td> <td>IS 0</td> </tr> <tr> <td>CE —</td> <td>FE0 0</td> <td>DS 0</td> </tr> <tr> <td>EE 0</td> <td></td> <td>RI —</td> </tr> </table>	UCLE 0	PR 0	DE —	SPE 0	FP 0	FE1 0	WE 0	ME —	IS 0	CE —	FE0 0	DS 0	EE 0		RI —
UCLE 0	PR 0	DE —														
SPE 0	FP 0	FE1 0														
WE 0	ME —	IS 0														
CE —	FE0 0	DS 0														
EE 0		RI —														
ESR	[VLEMI]. All other bits cleared.															
MCSR	Unchanged															
DEAR	Unchanged															
Vector	IVPR[32–47] IVOR8[48–59] 0b0000															

4.6.10 Auxiliary Processor Unavailable Interrupt (IVOR9)

An APU exception is defined by Book E to occur when an attempt is made to execute an APU instruction which is implemented but configured as unavailable, and no higher priority exception condition exists.

The e200z3 does not use this interrupt.

4.6.11 Decrementer Interrupt (IVOR10)

The e200z3 implements the decrementer exception as described in Book E. A decrementer interrupt occurs when no higher priority exception exists, a decrementer exception condition exists (TSR[DIS]=1), and the interrupt is enabled (both TCR[DIE] and MSR[EE]=1).

The timer status register (TSR) holds the decrementer interrupt bit set by the timer facility when an exception is detected. The interrupt handler must clear this bit to avoid repeated decrementer interrupts.

Table 4-19 lists register settings when a decrementer interrupt is taken.

Table 4-19. Decrementer Interrupt Register Settings

Register	Setting Description															
SRR0	Set to the effective address of the instruction that the processor would have attempted to execute next if no exception conditions were present.															
SRR1	Set to the contents of the MSR at the time of the interrupt															
MSR	<table style="width: 100%; border: none;"> <tr> <td style="width: 33%;">UCLE 0</td> <td style="width: 33%;">PR 0</td> <td style="width: 33%;">DE —</td> </tr> <tr> <td>SPE 0</td> <td>FP 0</td> <td>FE1 0</td> </tr> <tr> <td>WE 0</td> <td>ME —</td> <td>IS 0</td> </tr> <tr> <td>CE —</td> <td>FE0 0</td> <td>DS 0</td> </tr> <tr> <td>EE 0</td> <td></td> <td>RI —</td> </tr> </table>	UCLE 0	PR 0	DE —	SPE 0	FP 0	FE1 0	WE 0	ME —	IS 0	CE —	FE0 0	DS 0	EE 0		RI —
UCLE 0	PR 0	DE —														
SPE 0	FP 0	FE1 0														
WE 0	ME —	IS 0														
CE —	FE0 0	DS 0														
EE 0		RI —														
ESR	Unchanged															
MCSR	Unchanged															
DEAR	Unchanged															
Vector	IVPR[32–47] IVOR10[48–59] 0b0000															

4.6.12 Fixed-Interval Timer Interrupt (IVOR11)

The e200z3 implements the fixed-interval timer exception as defined in Book E. The triggering of the exception is caused by selected bits in the time base register changing from 0 to 1.

A fixed-interval timer interrupt occurs when no higher priority exception exists, a fixed-interval timer exception exists (TSR[FIS]=1), and the interrupt is enabled (both TCR[FIE] and MSR[EE]=1).

The timer status register (TSR) holds the fixed-interval timer interrupt bit set by the timer facility when an exception is detected. Software must clear this bit in the interrupt handler to avoid repeated fixed-interval timer interrupts.

Table 4-20 lists register settings when a fixed-interval timer interrupt is taken.

Table 4-20. Fixed-Interval Timer Interrupt Register Settings

Register	Setting Description
SRR0	Set to the effective address of the instruction that the processor would have attempted to execute next if no exception conditions were present.
SRR1	Set to the contents of the MSR at the time of the interrupt.

Table 4-20. Fixed-Interval Timer Interrupt Register Settings (continued)

Register	Setting Description		
MSR	UCLE 0 SPE 0 WE 0 CE — EE 0	PR 0 FP 0 ME — FE0 0	DE — FE1 0 IS 0 DS 0 RI —
ESR	Unchanged		
MCSR	Unchanged		
DEAR	Unchanged		
Vector	IVPR[32–47] IVOR11[48–59] 0b0000		

4.6.13 Watchdog Timer Interrupt (IVOR12)

The e200z3 implements the watchdog timer interrupt as defined in Book E. The exception is triggered by the first enabled watchdog timeout.

A watchdog timer interrupt occurs when no higher priority exception exists, a watchdog timer exception exists (TSR[WIS]=1), and the interrupt is enabled (both TCR[WIE] and MSR[CE] = 1).

The TSR holds the watchdog interrupt bit set by the timer facility when an exception is detected. Software must clear this bit in the interrupt handler to avoid repeated watchdog interrupts.

Table 4-21 lists register settings when a watchdog timer interrupt is taken.

Table 4-21. Watchdog Timer Interrupt Register Settings

Register	Setting Description		
CSRR0	Set to the effective address of the instruction that the processor would have attempted to execute next if no exception conditions were present.		
CSRR1	Set to the contents of the MSR at the time of the interrupt		
MSR	UCLE 0 SPE 0 WE 0 CE 0 EE 0	PR 0 FP 0 ME — FE0 0	DE 0/— ¹ FE1 0 IS 0 DS 0 RI 0 ²
ESR	Unchanged		
MCSR	Unchanged		
DEAR	Unchanged		
Vector	IVPR[32–47] IVOR12[48–59] 0b0000		

¹ DE is cleared when the debug APU is disabled. Clearing of DE is optionally supported by control in HID0 when the debug APU is enabled.

² RI is cleared by all critical class interrupts using CSRR0/1 and machine check interrupts. These interrupt handlers should set RI early in the handler after CSRR0/1 have been saved for improved recoverability.

MSR[DE] is not automatically cleared by a watchdog timer interrupt, but can be configured to be cleared through HID0[CICLRDE]. See [Section 2.13.1, “Hardware Implementation-Dependent Register 0 \(HID0\).”](#)

4.6.14 Data TLB Error Interrupt (IVOR13)

A data TLB error interrupt occurs when no higher priority exception exists and a data TLB error exception occurs due to a data TLB miss. [Table 4-22](#) lists register settings for DTLB interrupts.

Table 4-22. Data TLB Error Interrupt Register Settings

Register	Setting Description															
SRR0	Set to the effective address of the excepting load/store instruction.															
SRR1	Set to the contents of the MSR at the time of the interrupt															
MSR	<table style="width: 100%; border: none;"> <tr> <td style="width: 33%;">UCLE 0</td> <td style="width: 33%;">PR 0</td> <td style="width: 33%;">DE —</td> </tr> <tr> <td>SPE 0</td> <td>FP 0</td> <td>FE1 0</td> </tr> <tr> <td>WE 0</td> <td>ME —</td> <td>IS 0</td> </tr> <tr> <td>CE —</td> <td>FE0 0</td> <td>DS 0</td> </tr> <tr> <td>EE 0</td> <td></td> <td>RI —</td> </tr> </table>	UCLE 0	PR 0	DE —	SPE 0	FP 0	FE1 0	WE 0	ME —	IS 0	CE —	FE0 0	DS 0	EE 0		RI —
UCLE 0	PR 0	DE —														
SPE 0	FP 0	FE1 0														
WE 0	ME —	IS 0														
CE —	FE0 0	DS 0														
EE 0		RI —														
ESR	[ST], [SPE], [VLEMI]. All other bits cleared.															
MCSR	Unchanged															
DEAR	Set to the effective address of a byte of the load or store whose access caused the violation.															
Vector	IVPR[32–47] IVOR13[48–59] 0b0000															

4.6.15 Instruction TLB Error Interrupt (IVOR14)

An instruction TLB error interrupt occurs when no higher priority exception exists and an instruction TLB error exception exists due to an instruction translation lookup miss in the TLB. [Table 4-23](#) lists register settings when an ITLB interrupt is taken.

Table 4-23. Instruction TLB Error Interrupt Register Settings

Register	Setting Description															
SRR0	Set to the effective address of the excepting instruction.															
SRR1	Set to the contents of the MSR at the time of the interrupt															
MSR	<table style="width: 100%; border: none;"> <tr> <td style="width: 33%;">UCLE 0</td> <td style="width: 33%;">PR 0</td> <td style="width: 33%;">DE —</td> </tr> <tr> <td>SPE 0</td> <td>FP 0</td> <td>FE1 0</td> </tr> <tr> <td>WE 0</td> <td>ME —</td> <td>IS 0</td> </tr> <tr> <td>CE —</td> <td>FE0 0</td> <td>DS 0</td> </tr> <tr> <td>EE 0</td> <td></td> <td>RI —</td> </tr> </table>	UCLE 0	PR 0	DE —	SPE 0	FP 0	FE1 0	WE 0	ME —	IS 0	CE —	FE0 0	DS 0	EE 0		RI —
UCLE 0	PR 0	DE —														
SPE 0	FP 0	FE1 0														
WE 0	ME —	IS 0														
CE —	FE0 0	DS 0														
EE 0		RI —														
ESR	[MIF] All other bits cleared.															
MCSR	Unchanged															
DEAR	Unchanged															
Vector	IVPR[32–47] IVOR14[48–59] 0b0000															

4.6.16 Debug Interrupt (IVOR15)

The e200z3 implements the debug interrupt as defined in Book E with the following changes:

- When the debug APU is enabled (HID0[DAPUEN] = 1), debug is no longer a critical interrupt but uses DSRR0 and DSRR1 for saving machine state on context switch.
- The Return from Debug Interrupt Instruction (**rfdi**) supports the debug APU save/restore registers (DSRR0 and DSRR1).
- The critical interrupt taken debug event allows critical interrupts to generate a debug event.
- The critical return debug event allows debug events to be generated for **rfdi** instructions.

Multiple sources can signal a debug exception. A debug interrupt occurs when no higher priority exception exists, a debug exception is indicated in the debug status register (DBSR), and debug interrupts are enabled (DBCR0[IDM] = 1 (internal debug mode) and MSR[DE] = 1). Enabling debug events and other debug modes is discussed in [Chapter 9, “Debug Support.”](#)

With the debug APU enabled (see [Section 2.13.1, “Hardware Implementation-Dependent Register 0 \(HID0\)”](#)), the debug interrupt uses its own set of save/restore registers (DSRR0, DSRR1) to allow debugging of both critical and non-critical interrupt handlers. This capability also allows interrupts to be handled while in a debug software handler. External and critical interrupts are not automatically disabled when a debug interrupt occurs but can be configured to be cleared through HID0[DCLREE,DCLRCE]. See [Section 2.13.1, “Hardware Implementation-Dependent Register 0 \(HID0\).”](#) When the debug APU is disabled, debug interrupts use CSRR0 and CSRR1 to save machine state.

NOTE

For details regarding the following descriptions of debug exception types, see [Section 9.4, “Software Debug Events and Exceptions.”](#)

Table 4-24. Debug Exceptions

Exception	Cause
Instruction address compare (IAC)	Instruction address compare events are enabled and an instruction address match occurs as defined by the debug control registers. This could either be a direct instruction address match or a selected set of instruction addresses. IAC has the highest priority of all instruction-based interrupts, even if the instruction itself encountered an ITLB error or instruction storage exception.
Branch taken (BRT)	A branch instruction is considered taken by the branch unit, and branch taken events are enabled. The debug interrupt is taken when no higher priority exception is pending.
Data address compare (DAC)	Data address compare events are enabled, and a data access address match occurs as defined by the debug control registers. This could either be a direct data address match, a selected set of data addresses, or a combination of data address and data value matching. The debug interrupt is taken when no higher priority exception is pending. The e200z3 does not implement the data value compare debug mode, specified in Book E. The e200z3 implementation provides IAC linked with DAC exceptions. This results in a DAC exception only if one or more IAC conditions are also met.
Trap (TRAP) debug	Program trap exception is generated while trap events are enabled. If MSR[DE] is set, the debug exception has higher priority than the program exception and is taken instead of a trap type program interrupt. The debug interrupt is taken when no higher priority exception is pending. If MSR[DE] is cleared when a trap debug exception occurs, a trap exception type program interrupt is taken instead.

Table 4-24. Debug Exceptions (continued)

Exception	Cause
Instruction address compare (IAC)	Instruction address compare events are enabled and an instruction address match occurs as defined by the debug control registers. This could either be a direct instruction address match or a selected set of instruction addresses. IAC has the highest priority of all instruction-based interrupts, even if the instruction itself encountered an ITLB error or instruction storage exception.
Return (RET)	Return exceptions are enabled and rfi is executed. Return debug exceptions are not generated for rfdi . If MSR[DE] = 1 when rfi executes, a debug interrupt occurs if no higher priority, enabled exception exists. CSRR0 (debug APU disabled) or DSRR0 (debug APU enabled) is to set the address of the rfi . If MSR[DE] = 0 when rfi executes, a debug interrupt does not occur immediately; the event is recorded by setting DBSR[RET] and DBSR[IDE].
Critical return (CRET)	Critical return debug events are enabled and rfdi is executed. Critical return debug exceptions are only generated for rfdi . If MSR[DE]=1 when rfdi executes, a debug interrupt occurs if no higher priority exception exists that is enabled to cause an interrupt. CSRR0 (debug APU disabled) or DSRR0 (debug APU enabled) is set to the address of the rfdi . If MSR[DE] = 0 when rfdi executes, a debug interrupt does not occur immediately, but the event is recorded by setting DBSR[CRET] and DBSR[IDE]. Note that critical return debug events should not normally be enabled unless the debug APU is enabled to avoid corrupting CSRR0 and CSRR1.
Instruction complete (ICMP)	An instruction completed while this event is enabled. A mtmsr or mtdbcr0 that causes both MSR[DE] and DBCR0[IDM] to end up set, enabling precise debug mode, may cause an imprecise (delayed) debug exception to be generated due to an earlier recorded event in the DBSR.
Interrupt taken (IRPT)	A non-critical interrupt context switch is detected. This exception is imprecise and unordered with respect to the program flow. Note that an IRPT debug interrupt occurs only when detecting a non-critical interrupt on the e200z3. The value saved in CSRR0/DSRR0 is the address of the non-critical interrupt handler.
Critical interrupt taken (CIRPT)	A critical interrupt context switch is detected. This exception is imprecise and unordered with respect to program flow. Note that a CIRPT debug interrupt occurs only when detecting a critical interrupt on the e200z3. The address of the critical interrupt handler is saved in CSRR0/DSRR0. To avoid corrupting CSRR0 and CSRR1, critical interrupt taken debug events should not normally be enabled unless the debug APU is enabled.
Unconditional debug event (UDE)	The unconditional debug event signal (<i>p_ude</i>) transitions to asserted state.
Debug counter	A debug counter exception is enabled and a debug counter decrements to zero.
External debug	An external debug exception is enabled and an external debug event (<i>p_devt1</i> , <i>p_devt2</i>) transitions to the asserted state.

The DBSR provides a syndrome to differentiate among debug exceptions that can generate the same interrupt. [Table 4-25](#) lists register settings when a debug interrupt is taken.

Table 4-25. Debug Interrupt Register Settings

Register	Setting Description
CSRR0 (MSR[DE]=0) DSRR0 ¹ (MSR[DE]=1)	Set to the effective address of the excepting instruction for IAC, BRT, RET, CRET, and TRAP. Set to the effective address of the next instruction to be executed following the excepting instruction for DAC and ICMP. For UDE, IRPT, CIRPT, DCNT, or DEVT type exceptions, set to the effective address of the instruction that would have attempted to execute next if no exception conditions were present.
CSRR1/ DSRR1	Set to the contents of the MSR at the time of the interrupt

Table 4-25. Debug Interrupt Register Settings (continued)

Register	Setting Description																										
MSR	<table style="width: 100%; border: none;"> <tr> <td style="width: 33%;">UCLE0</td> <td style="width: 33%;">PR 0</td> <td style="width: 33%;">DE 0</td> </tr> <tr> <td>SPE 0</td> <td>FP 0</td> <td>FE1 0</td> </tr> <tr> <td>WE 0</td> <td>ME —</td> <td>IS 0</td> </tr> <tr> <td>CE —/0²</td> <td>FE0 0</td> <td>DS 0</td> </tr> <tr> <td>EE —/0²</td> <td></td> <td>RI —/0^{2,3}</td> </tr> </table>	UCLE0	PR 0	DE 0	SPE 0	FP 0	FE1 0	WE 0	ME —	IS 0	CE —/0 ²	FE0 0	DS 0	EE —/0 ²		RI —/0 ^{2,3}											
UCLE0	PR 0	DE 0																									
SPE 0	FP 0	FE1 0																									
WE 0	ME —	IS 0																									
CE —/0 ²	FE0 0	DS 0																									
EE —/0 ²		RI —/0 ^{2,3}																									
DBSR ⁴	<table style="width: 100%; border: none;"> <tr> <td style="width: 45%;">Unconditional debug event:</td> <td>UDE</td> </tr> <tr> <td>Instruction complete debug event:</td> <td>ICMP</td> </tr> <tr> <td>Branch taken debug event:</td> <td>BRT</td> </tr> <tr> <td>Interrupt taken debug event:</td> <td>IRPT</td> </tr> <tr> <td>Critical interrupt taken debug event:</td> <td>CIRPT</td> </tr> <tr> <td>Trap instruction debug event:</td> <td>TRAP</td> </tr> <tr> <td>Instruction address compare:</td> <td>{IAC1, IAC2, IAC3, IAC4}</td> </tr> <tr> <td>Data address compare:</td> <td>{DAC1R, DAC1W, DAC2R, DAC2W}</td> </tr> <tr> <td>Return debug event:</td> <td>RET</td> </tr> <tr> <td>Critical return debug event:</td> <td>CRET</td> </tr> <tr> <td>Debug counter event:</td> <td>{DCNT1, DCNT2}</td> </tr> <tr> <td>External debug event:</td> <td>{DEVT1, DEVT2}</td> </tr> <tr> <td colspan="2">(optional) Imprecise debug event flag {IDE}</td> </tr> </table>	Unconditional debug event:	UDE	Instruction complete debug event:	ICMP	Branch taken debug event:	BRT	Interrupt taken debug event:	IRPT	Critical interrupt taken debug event:	CIRPT	Trap instruction debug event:	TRAP	Instruction address compare:	{IAC1, IAC2, IAC3, IAC4}	Data address compare:	{DAC1R, DAC1W, DAC2R, DAC2W}	Return debug event:	RET	Critical return debug event:	CRET	Debug counter event:	{DCNT1, DCNT2}	External debug event:	{DEVT1, DEVT2}	(optional) Imprecise debug event flag {IDE}	
Unconditional debug event:	UDE																										
Instruction complete debug event:	ICMP																										
Branch taken debug event:	BRT																										
Interrupt taken debug event:	IRPT																										
Critical interrupt taken debug event:	CIRPT																										
Trap instruction debug event:	TRAP																										
Instruction address compare:	{IAC1, IAC2, IAC3, IAC4}																										
Data address compare:	{DAC1R, DAC1W, DAC2R, DAC2W}																										
Return debug event:	RET																										
Critical return debug event:	CRET																										
Debug counter event:	{DCNT1, DCNT2}																										
External debug event:	{DEVT1, DEVT2}																										
(optional) Imprecise debug event flag {IDE}																											
ESR	Unchanged																										
MCSR	Unchanged																										

Table 4-25. Debug Interrupt Register Settings (continued)

Register	Setting Description
DEAR	Unchanged
Vector	IVPR[32–47] IVOR15[48–59] 0b0000

¹ Assumes that the debug interrupt is precise

² Conditional based on HID0 control bits. If HID0[DAPUEN] = 1, RI is unaffected since DSRR0/1 are used, otherwise it is cleared since CSRR0/1 are updated.

³ RI is cleared by all critical class interrupts using CSRR0/1 and the machine check interrupt. These interrupt handlers should set RI early in the handler after CSRR0/1 have been saved to allow for improved recoverability.

⁴ Note that multiple DBSR bits may be set.

4.6.17 System Reset

The core implements the system reset, which is not an interrupt defined in Book E. The system reset exception is a non-maskable, asynchronous exception signaled to the processor through the assertion of system-defined signals.

A system reset may be initiated as follows:

- By asserting the *p_reset_b* input. *p_reset_b* must remain asserted for a period (specified in the hardware specifications) that allows internal logic to be reset. Assertion for less than the required interval causes unpredictable results.
- By asserting *m_por* during power-on reset. *m_por* must be asserted during power up and must remain asserted for a period (specified in the hardware specifications) that allows internal logic to be reset. Assertion for less than the required interval causes unpredictable results.
- By watchdog timer reset control
- By debug reset control

When a reset request occurs, the processor branches to the system reset exception vector (value on *p_rstbase[0:19]* concatenated with 0xFFC in e200z3 and *p_rstbase[0:29]* concatenated with 2'b00 in e200z335) without attempting to reach a recoverable state. If reset occurs during normal operation, all operations stop and machine state is lost. The internal state of the e200z6e200z3 after a reset is defined in [Section 2.18.4, “Reset Settings.”](#)

For reset initiated by watchdog timer or debug reset control, the e200z6 implements TSR[WRS] or DBSR[MRR] to help software determine the cause. Watchdog timer and debug reset control provide the capability to assert *p_resetout_b*. External logic may factor this signal into *p_reset_b* to cause an e200z6e200z3 reset.

[Table 4-26](#) shows the TSR bits associated with reset status.

Table 4-26. TSR Watchdog Timer Reset Status

Bits	Name	Description
34–35	WRS	00 No action performed by watchdog timer 01 Watchdog timer second timeout caused checkstop. 10 Watchdog timer second timeout caused <i>p_resetout_b</i> to be asserted. 11 Reserved

Table 4-27 shows the DBSR bits associated with reset status.

Table 4-27. DBSR Most Recent Reset

Bits	Name	Function
34–35	MRR	00 No reset occurred since these bits were last cleared by software. 01 A reset occurred since these bits were last cleared by software. 1x Reserved

Table 4-28 lists register settings when a system reset is taken.

Table 4-28. System Reset Register Settings

Register	Setting Description															
CSRR0	Undefined															
CSRR1	Undefined															
MSR	<table style="width: 100%; border: none;"> <tr> <td style="width: 33%;">UCLE 0</td> <td style="width: 33%;">EE 0</td> <td style="width: 33%;">DE 0</td> </tr> <tr> <td>WE 0</td> <td>PR 0</td> <td>FE1 0</td> </tr> <tr> <td>CE 0</td> <td>FP 0</td> <td>IS 0</td> </tr> <tr> <td></td> <td>ME 0</td> <td>DS 0</td> </tr> <tr> <td></td> <td></td> <td>RI 0</td> </tr> </table>	UCLE 0	EE 0	DE 0	WE 0	PR 0	FE1 0	CE 0	FP 0	IS 0		ME 0	DS 0			RI 0
UCLE 0	EE 0	DE 0														
WE 0	PR 0	FE1 0														
CE 0	FP 0	IS 0														
	ME 0	DS 0														
		RI 0														
ESR	Cleared															
DEAR	Undefined															
Vector	<p><i>[p_rstbase[0:19]]</i> 0xFFC in e200z3</p> <p><i>[p_rstbase[0:29]]</i> 2'b00 in e200z335</p>															

4.6.18 SPE APU Unavailable Interrupt (IVOR32)

The SPE APU unavailable exception is taken if MSR[SPE] is cleared and execution of an SPE APU instruction other than an embedded scalar floating-point or **brinc** instruction is attempted. When the SPE APU unavailable exception occurs, the processor suppresses execution of the instruction causing the exception. Table 4-29 lists register settings when an SPE unavailable interrupt is taken.

Table 4-29. SPE Unavailable Interrupt Register Settings

Register	Setting Description
SRR0	Set to the effective address of the excepting SPE instruction
SRR1	Set to the contents of the MSR at the time of the interrupt

Table 4-29. SPE Unavailable Interrupt Register Settings (continued)

Register	Setting Description					
MSR	UCLE	0	PR	0	DE	—
	SPE	0	FP	0	FE1	0
	WE	0	ME	—	IS	0
	CE	—	FE0	0	DS	0
	EE	0			RI	—
ESR	SPE, [VLEMI]. All other bits cleared.					
MCSR	Unchanged					
DEAR	Unchanged					
Vector	IVPR[32–47] IVOR32[48–59] 0b0000					

4.6.19 SPE Floating-Point Data Interrupt (IVOR33)

The SPE floating-point data interrupt is taken if no higher priority exception exists and an SPE floating-point data exception is generated. When a floating-point data exception occurs, the processor suppresses execution of the instruction causing the exception.

Table 4-30 lists register settings when an SPE floating-point data interrupt is taken.

Table 4-30. SPE Floating-Point Data Interrupt Register Settings

Register	Setting Description					
SRR0	Set to the effective address of the excepting SPE instruction.					
SRR1	Set to the contents of the MSR at the time of the interrupt					
MSR	UCLE	0	PR	0	DE	—
	SPE	0	FP	0	FE1	0
	WE	0	ME	—	IS	0
	CE	—	FE0	0	DS	0
	EE	0			RI	—
ESR	SPE, [VLEMI]. All other bits cleared.					
MCSR	Unchanged					
DEAR	Unchanged					
Vector	IVPR[32–47] IVOR33[48–59] 0b0000					

4.6.20 SPE Floating-Point Round Interrupt (IVOR34)

The SPE floating-point round interrupt is taken when an SPE floating-point instruction generates an inexact result and inexact exceptions are enabled.

Table 4-31 lists register settings when an SPE floating-point round interrupt is taken.

Table 4-31. SPE Floating-Point Round Interrupt Register Settings

Register	Setting Description															
SRR0	Set to the effective address of the instruction following the excepting SPE instruction.															
SRR1	Set to the contents of the MSR at the time of the interrupt															
MSR	<table style="width: 100%; border: none;"> <tr> <td style="width: 33%;">UCLE 0</td> <td style="width: 33%;">PR 0</td> <td style="width: 33%;">DE —</td> </tr> <tr> <td>SPE 0</td> <td>FP 0</td> <td>FE1 0</td> </tr> <tr> <td>WE 0</td> <td>ME —</td> <td>IS 0</td> </tr> <tr> <td>CE —</td> <td>FE0 0</td> <td>DS 0</td> </tr> <tr> <td>EE 0</td> <td></td> <td>RI —</td> </tr> </table>	UCLE 0	PR 0	DE —	SPE 0	FP 0	FE1 0	WE 0	ME —	IS 0	CE —	FE0 0	DS 0	EE 0		RI —
UCLE 0	PR 0	DE —														
SPE 0	FP 0	FE1 0														
WE 0	ME —	IS 0														
CE —	FE0 0	DS 0														
EE 0		RI —														
ESR	SPE, [VLEMI]. All other bits cleared.															
MCSR	Unchanged															
DEAR	Unchanged															
Vector	IVPR[32–47] IVOR34[48–59] 0b0000															

4.7 Exception Recognition and Priorities

The following list of exception categories describes how the e200z3 handles exceptions up to the point of signaling the appropriate interrupt to occur. Also, instruction completion is defined as updating all architectural registers associated with that instruction as necessary, and then removing the instruction from the pipeline.

- Interrupts caused by asynchronous events (exceptions). These exceptions are further distinguished by whether they are maskable and recoverable.
 - Asynchronous, non-maskable, non-recoverable: System reset by assertion of *p_reset_b*. Has highest priority and is taken immediately regardless of other pending exceptions or recoverability. (Includes watchdog timer reset control and debug reset control)
 - Asynchronous, non-maskable, possibly non-recoverable: Non-maskable interrupt by assertion of *p_nmi_b*. Has priority over any other pending exception except system reset conditions. Recoverability is dependent on whether CSRR0/1 are holding essential state info and are overwritten when the NMI occurs.
 - Asynchronous, maskable, non-recoverable: Machine check interrupt. Has priority over any other pending exception except system reset conditions; is dependent on the source of the exception. Typically non-recoverable.
 - Asynchronous, maskable, recoverable: External input, fixed-interval timer, decremter, critical input, unconditional debug, external debug event, debug counter event, and watchdog timer interrupts. Before handling this type of exception, the processor needs to reach a recoverable state. A maskable recoverable exception remains pending until taken or cancelled by software.
- Synchronous, non-instruction-based interrupts. The only exception in this category is the interrupt taken debug exception, recognized by an interrupt taken event. It is not considered instruction-based but is synchronous with respect to program flow.

- Synchronous, maskable, recoverable: Interrupt taken debug event. The machine is in a recoverable state due to the state of the machine at the context switch triggering this event.
- Instruction-based interrupts. These interrupts are further organized by the point in instruction processing in which they generate an exception.
 - Instruction fetch: Instruction storage, instruction TLB, and instruction address compare debug exceptions.

Once these types of exceptions are detected, the excepting instruction is tagged. When the excepting instruction is next to begin execution and a recoverable state has been reached, the interrupt is taken. If an event prior to the excepting instruction causes a redirection of execution, the instruction fetch exception is discarded (but may be encountered again).

- Instruction dispatch/execution: Program, system call, data storage, alignment, floating-point unavailable, SPE unavailable, data TLB, SPE floating-point data, SPE floating-point round, debug (trap, branch taken, return) interrupts.

Determined during decode or execution of an instruction. The exception remains pending until all instructions before the exception-causing instruction complete. The interrupt is then taken without completing the exception-causing instruction. If completing previous instructions causes an exception, that exception takes priority over the pending instruction dispatch/execution exception, which is discarded (but may be encountered again when instruction processing resumes).

- Post-instruction execution: Debug (data address compare, instruction complete) interrupt
Generated following execution and completion of an instruction while the event is enabled. If executing the instruction produces conditions for another type of exception with higher priority, that exception is taken and the post-instruction exception is discarded for the instruction (but may be encountered again when instruction processing resumes).

4.7.1 Interrupt Priorities

Interrupts are prioritized as described in [Table 4-32](#). Some exceptions may be masked or imprecise, which affects their priority. Non-maskable exceptions such as reset and machine check may occur at any time and are not delayed even if an interrupt is being serviced; thus, state information for any interrupt may be lost. Reset and most machine checks are non-recoverable.

Table 4-32. e200z3 Exception Priorities

Priority	Exception	Cause	IVOR
Asynchronous Exceptions			
0	System reset	Assertion of <i>p_reset_b</i> , watchdog timer reset control, or debug reset control	none
1	Machine check	Assertion of <i>p_mcp_b</i> , exception on fetch of first instruction of an interrupt handler, bus error on buffered store, bus error (XTE) with MSR[EE]=0 and current MSR[ME]=1, or assertion of <i>p_nmi_b</i>	1
2	—	—	—

Table 4-32. e200z3 Exception Priorities (continued)

Priority	Exception	Cause	IVOR
3 ¹	1. Debug: UDE 2. Debug: DEVT1 3. Debug: DEVT2 4. Debug: DCNT1 5. Debug: DCNT2 6. Debug: IDE	1. Assertion of <i>p_ude</i> (unconditional debug event) 2. Assertion of <i>p_devt1</i> and event enabled (external debug event 1) 3. Assertion of <i>p_devt2</i> and event enabled (external debug event 2) 4. Debug counter 1 exception 5. Debug counter 2 exception 6. Imprecise debug event (event imprecise due to earlier, higher priority interrupt)	15
4 ¹	Critical Input	Assertion of <i>p_critint_b</i>	0
5 ¹	Watchdog timer	Watchdog timer first enabled time-out	12
6 ¹	External input	Assertion of <i>p_extint_b</i>	4
7 ¹	Fixed-interval timer	Posting of a fixed-interval timer exception in TSR due to programmer-specified bit transition in the time base register	11
8 ¹	Decrementer	Posting of a decrementer exception in TSR due to programmer-specified decrementer condition	10
Instruction Fetch Exceptions			
9	Debug: IAC (unlinked)	Instruction address compare match for enabled IAC debug event and DBCR0[IDM] asserted	15
10	ITLB error	Instruction translation lookup miss in the TLB	14
11	Instruction storage	1. Access control 2. Precise external termination error (<i>p_tea_b</i> assertion and precise recognition) and MSR[EE] = 1 3. Byte ordering due to misaligned instruction across page boundary to pages with mismatched VLE bits, or access to page with VLE set and E indicating little-endian. 4. Misaligned Instruction fetch due to a change of flow to an odd halfword instruction boundary on a BookE (non-VLE) instruction page, due to value in LR, CTR, or xSRR0	3
Instruction Dispatch/Execution Interrupts			
12	Program: Illegal	Attempted execution of an illegal instruction	6
13	Program: privileged	Attempted execution of a privileged instruction in user mode	6
14	Floating-point unavailable	Any floating-point unavailable exception condition	7
	SPE unavailable	Any SPE unavailable exception condition	32
15	Program: unimplemented	Attempted execution of an unimplemented instruction	6
16	1. Debug: BRT 2. Debug: Trap 3. Debug: RET 4. Debug: CRET	1. Attempted execution of a taken branch instruction 2. Condition specified in tw or twi instruction met. 3. Attempted execution of a rfi instruction 4. Attempted execution of an rfci instruction Note: Exceptions require corresponding debug event enabled, MSR[DE]=1, and DBCR0[IDM]=1.	15

Table 4-32. e200z3 Exception Priorities (continued)

Priority	Exception	Cause	IVOR
17	Program: trap	Condition specified in tw or twi instruction met and not a debug trap exception	15
	System call	Execution of the system call (sc , se_sc) instruction.	8
	SPE floating-point data	NaN, infinity, or denormalized data detected as input or output, or underflow, overflow, divide by zero, or invalid operation in the SPE APU.	33
	SPE round	Inexact result	34
18	Alignment	lmw , stmw , lwarx , or stwcx . Not word aligned. dcbz with cache disabled or not present	5
19	Debug with concurrent DTLB or data storage interrupt: 1. DAC/IAC linked ² 2. DAC unlinked ²	Debug with concurrent DTLB or data storage interrupt. DBSR[IDE] also set. 1. Data address compare linked with instruction address compare 2. Data address compare unlinked Note: Exceptions require corresponding debug event enabled, MSR[DE]=1, and DBCR0[IDM]=1. In this case, the debug exception is considered imprecise and DBSR[IDE] is set. Saved PC points to the load or store instruction causing the DAC event.	15
20	Data TLB error	Data translation lookup miss in the TLB.	13
21	Data storage	1. Access control. 2. Byte ordering due to misaligned access across page boundary to pages with mismatched E bits. 3. Precise external termination error (<i>p_tea_b</i> assertion and precise recognition) and MSR[EE]=1	2
22	1. Debug: IRPT 2. Debug: CIRPT	1. Interrupt taken (non-critical) 2. Critical interrupt taken (critical only) Note: Exceptions require corresponding debug event enabled, MSR[DE]=1 and DBCR0[IDM]=1.	15
Post-Instruction Execution Exceptions			
23	1. Debug: DAC/IAC linked ² 2. Debug: DAC unlinked ²	1. Data address compare linked with instruction address compare 2. Data address compare unlinked Notes: • Exceptions require corresponding debug event enabled, MSR[DE] = 1 and DBCR0[IDM] = 1. • Saved PC points to the instruction following the load or store instruction causing the DAC event. • For DVC DAC events in e200z335, the saved PC may point beyond the next instruction, and the DBSR[DAC_OFST] field will indicate the offset.	15
24	Debug: ICMP	Completion of an instruction. Note: Exceptions require corresponding debug event enabled, MSR[DE]=1, and DBCR0[IDM]=1.	15

¹ These exceptions are sampled at instruction boundaries, and may actually occur after exceptions that are due to a currently executing instruction. If one of these exceptions occurs during execution of an instruction in the pipeline, it is not processed until the pipeline has been flushed, and the exception associated with the excepting instruction may occur first.

² When no data storage interrupt or data TLB error occurs, the core implements the data address compare debug exceptions as post-instruction exceptions, which differs from the Book E definition. When a TEA (either a DTLB error or data storage interrupt) occurs in conjunction with an enabled DAC or linked DAC/IAC on a load or store class instruction, the debug interrupt takes priority, and the saved PC value points to the load or store class instruction, rather than to the next instruction.

4.8 Interrupt Processing

When an interrupt is taken, SRR0/SRR1 for non-critical interrupts, CSRR0/CSRR1 for critical interrupts, and either CSRR0/CSRR1 or DSRR0/DSRR1 for debug interrupts are used to save the contents of the MSR and to help identify where instruction execution should resume after the interrupt is handled.

When an interrupt occurs, one of SRR0/CSRR0/DSRR0 is set to the address of the instruction that caused the exception or to the following instruction if appropriate.

SRR1 is used to save machine state (selected MSR bits) on non-critical interrupts and to restore those values when an **rfi** executes. CSRR1 is used to save machine status (selected MSR bits) on critical interrupts and to restore those values when an **rfdi** instruction is executed. DSRR1 is used to save machine status (selected MSR bits) on debug interrupts when the debug APU is enabled and to restore those values when an **rfdi** executes.

The ESR is loaded with information specific to the exception type. Some interrupt types can only be caused by a single exception type and thus do not use an ESR setting to indicate the interrupt cause.

The MSR is updated to preclude unrecoverable interrupts from occurring during the initial portion of the interrupt handler. Specific settings are described in [Table 4-33](#).

For alignment, data storage, or data TLB miss interrupts, or for a machine check due to cache parity error on data access interrupts, the data exception address register (DEAR) is loaded with the address that caused the interrupt to occur.

For machine check interrupts, the MCSR is loaded with information specific to the exception type.

Instruction fetch and execution resume, using the new MSR value, at a location specific to the exception type. The location is determined by the IVPR and an IVOR specific for each type of interrupt (see [Table 4-2](#)). A new operating context is selected using the low-order three bits of the specific IVOR selected by the type of interrupt.

[Table 4-33](#) shows the MSR settings for different interrupt categories. Note that reserved and preserved MSR bits are unimplemented and are read as 0.

Table 4-33. MSR Setting Due to Interrupt

Bits	MSR Definition	Reset Setting	Non-Critical Interrupt	Critical Interrupt	Debug Interrupt
37	UCLE	0	0	0	0
38	SPE	0	0	0	0
45	WE	0	0	0	0
46	CE	0	—	0	—/0 ¹
48	EE	0	0	0	—/0 ¹
49	PR	0	0	0	0
50	FP	0	0	0	0
51	ME	0	—	—	—
52	FE0	0	0	0	0

Table 4-33. MSR Setting Due to Interrupt (continued)

Bits	MSR Definition	Reset Setting	Non-Critical Interrupt	Critical Interrupt	Debug Interrupt
54	DE	0	—	—/0 ¹	0
55	FE1	0	0	0	0
58	IS	0	0	0	0
59	DS	0	0	0	0
62	RI	0	—	0	—/0 ²

¹ Conditionally cleared based on control bits in HID0

² Cleared if the Debug APU is disabled, otherwise unaffected

4.8.1 Enabling and Disabling Exceptions

When a condition exists that may cause an exception to be generated, it must be determined whether the exception is enabled for that condition.

- System reset exceptions cannot be masked.
- A machine check exception can occur only if the machine check enable, MSR[ME] = 1, or if a non-maskable interrupt is received. If ME = 0, the processor goes directly into checkstop state when a machine check exception condition occurs, unless the machine check is the result of a non-maskable interrupt. Individual machine check exceptions (other than non-maskable interrupts) can be enabled and disabled through HID0 bits.
- Asynchronous, maskable non-critical exceptions (such as the external input and decremter) are enabled by setting MSR[EE]. When EE = 0, recognition of these exception conditions is delayed. EE is cleared automatically when a non-critical or critical interrupt is taken to mask further recognition of conditions causing those exceptions.
- Asynchronous, maskable critical exceptions (such as critical input and watchdog timer) are enabled by setting MSR[CE]. When CE = 0, recognition of these exception conditions is delayed. CE is cleared automatically when a critical interrupt is taken to mask further recognition of conditions causing those exceptions. In addition MSR[RI] is cleared to indicate that the CSRR0/1 registers contain information essential to exception recovery.
- Synchronous and asynchronous debug exceptions are enabled by setting MSR[DE]. If DE = 0, recognition of these exception conditions is masked. DE is cleared automatically when a debug interrupt is taken to mask further recognition of conditions causing those exceptions. [Chapter 9, “Debug Support,”](#) gives details on individual control of debug exceptions.
- The floating-point unavailable exception can be prevented by setting MSR[FP] (although the e200z3 generates an unimplemented instruction exception instead).

4.8.2 Returning from an Interrupt Handler

The Return from Interrupt (**rfi**), Return from Critical Interrupt (**rfdi**) and Return from Debug Interrupt (**rfdi**) instructions perform context synchronization by allowing instructions issued earlier to complete before returning to the interrupted process. In general, execution of **rfi**, **rfdi**, or **rfdi** ensures the following:

- All previous instructions have completed to a point where they can no longer cause an exception. This includes post-execute type exceptions.
- Previous instructions complete execution in the context (privilege and protection) under which they were issued.
- The **rfi** copies SRR1 bits back into the MSR.
- The **rfdi** copies CSRR1 bits back into the MSR.
- The **rfdi** copies DSRR1 bits back into the MSR.
- Instructions fetched after this instruction execute in the context established by this instruction.
- Program execution resumes at the instruction indicated by SRR0 for **rfi**, CSRR0 for **rfdi** or DSRR0 for **rfdi**.

Note that the **rfi** may be subject to a return type debug exception and that **rfdi** may be subject to a critical return type debug exception. For a complete description of context synchronization, refer to the *EREF*.

4.9 Process Switching

The following instructions are useful for restoring proper context during process switching:

- **msync** orders the effects of data memory instruction execution. All instructions previously initiated appear to have completed before the **msync** instruction completes, and no subsequent instructions appear to be initiated until the **msync** instruction completes.
- **isync** waits for all previous instructions to complete and then discards any fetched instructions, causing subsequent instructions to be fetched (or refetched) from memory and to execute in the context (privilege, translation, and protection) established by the previous instructions.
- **stwcx**. clears any outstanding reservations, ensuring that a load and reserve instruction in an old process is not paired with a store conditional instruction in a new one.

Chapter 5

Memory Management Unit

This chapter describes the implementation details of the e200z3 core complex MMU relative to the Book E architecture and the Freescale Book E standards.

5.1 Overview

The e200z3 memory management unit is a 32-bit PowerPC Book E–compliant implementation.

5.1.1 MMU Features

The MMU of the e200z3 core has the following feature set:

- Freescale Book E implementation standard (EIS) MMU architecture compliant
- 32-bit effective address translated to 32-bit real address (using a 41-bit interim virtual address)
- 16-entry, fully associative, translation lookaside buffer (TLB1) that supports the nine page sizes (4 Kbytes, 16 Kbytes, 64 Kbytes, 256 Kbytes, 1 Mbyte, 4 Mbytes, 16 Mbytes, 64 Mbytes, 256 Mbytes), shown in [Table 5-2](#)
- One 32-bit PID register (PID0) for supporting up to 255 translation IDs at any time in the TLB
- No page table format defined; software is free to use its own page table format
- Hardware assist for TLB miss exceptions
- TLB1 managed by **tlbre**, **tlbwe**, **tlbsx**, **tlbsync**, and **tlbivax** instructions and six MMU assist (MAS) registers
- IPROT bit implemented in TLB1 prevents invalidations, protecting critical entries (so designated by having the IPROT bit set) from being invalidated.

5.1.2 TLB Entry Maintenance Features Summary

The TLB entries of the e200z3 core complex must be loaded and maintained by the system software; this includes performing any required table search operations in memory. The e200z3 provides support for maintaining TLB entries in software with the resources shown in [Table 5-1](#). Note that many of these features are defined at the Freescale Book E level.

Table 5-1. TLB Maintenance Programming Model

Features		Description	Section/Page
TLB Instructions	tlbre	TLB Read Entry instruction	5.4/5-10
	tlbwe	TLB Write Entry instruction	5.4/5-10
	tlbsx rA, rB	TLB Search for Entry instruction	5.4/5-10
	tlbivax rA, rB	TLB Invalidate Entries instruction	5.4/5-10
	tlbsync	TLB Synchronize Invalidations with other masters' instruction (privileged no-op on the e200z3)	5.4/5-10
Registers	PID0	Process ID register	2.4.2/2-9
	MMUCSR0	MMU control and status register	2.16.1/2-62
	MMUCFG	MMU configuration register	2.16.2/2-62
	TLB0CFG–TLB1CFG	TLB configuration registers	2.16.3/2-63
	MAS0–MAS4, MAS6	MMU assist registers. Note: e200z3 does not implement MAS5.	2.16.4/2-65
	DEAR	Data exception address register	2.8.1.5/2-21
Interrupts	Instruction TLB miss exception	Causes instruction TLB error interrupt	4.6.15/4-21
	Data TLB miss exception	Causes data TLB error interrupt	4.6.14/4-21
	Instruction permission violation exception	Causes ISI interrupt	4.6.4/4-14
	Data permission violation exception	Causes DSI interrupt	4.6.3/4-13

Other hardware assistance features for maintenance of the TLB on the e200z3 are described in [Section 5.6.5.2, “MAS Register Updates.”](#)

5.2 Effective-to-Real Address Translation

This section describes the general principles that guide the PowerPC Book E definition for memory management and further describes the structure for MMUs defined by the Freescale Book E implementation standard (EIS) and the e200z3 MMU.

[Figure 5-1](#) shows the high-level translation flow, showing that because the smallest page size supported by the e200z3 core complex is 4 Kbytes, the 12 lsbs always index within the page and are untranslated.

5.2.1 Effective Addresses

Instruction accesses are generated by sequential instruction fetches or due to a change in program flow (branches and interrupts). Data accesses are generated by load, store, and cache management instructions. The e200z3 instruction fetch, branch, and load/store units generate 32-bit effective addresses. The MMU translates these effective addresses to 32-bit physical (real) addresses that are then used for memory accesses.

The PowerPC Book E architecture divides the effective (virtual) and real (physical) address space into pages. The page represents the granularity of effective address translation, permission control, and memory/cache attributes. The e200z3 MMU supports nine page sizes (4 Kbytes to 256 Mbytes, as defined in [Table 5-2](#)). In order for an effective-to-real address translation to exist, a valid entry for the page containing the effective address must be in a TLB. Accesses to addresses for which no TLB entry exists (a TLB miss) cause instruction or data TLB errors.

5.2.2 Address Spaces

The PowerPC Book E architecture defines two effective address spaces for instruction accesses and two effective address spaces for data accesses. The current effective address space for instruction or data accesses is determined by the value of MSR[IS] (instruction address space bit) and MSR[DS] (data address space bit), respectively. The address space indicator (the corresponding value of either MSR[IS] or MSR[DS]) is used in addition to the effective address generated by the processor for translation into a physical address by the TLB mechanism. Because MSR[IS] and MSR[DS] are both cleared when an interrupt occurs, an address space value of 0 can be used to denote interrupt-related address spaces (or possibly all system software address spaces). An address space value of 1 can be used to denote non-interrupt-related address spaces or possibly all user address spaces.

The address space associated with an instruction or data access is included as part of the virtual address in the translation process (AS).

5.2.3 Virtual Addresses and Process ID

The PowerPC Book E architecture requires a process ID (PID) value to be associated with each effective address (instruction or data) generated by the processor to construct a virtual address for each access. At the Book E level, a single PID register is defined as a 32-bit register, and it maintains the value of the PID for the current process. This PID value is included as part of the virtual address in the translation process (PID0).

For the e200z3 MMU, the PID is 8 bits in length. The most significant 24 bits are unimplemented and read as 0. The *p_pid0[0:7]* interface signals indicate the current process ID.

The core complex implements a single process ID (PID) register, PID0, as an SPR shown in [Section 2.16.5, “Process ID Register \(PID0\).”](#) The current value in the PID register is used in the TLB look-up process and compared with the TID field in all the TLB entries. If the PID value in PID0 matches with a TLB entry in which all the other match criteria are met, that entry is used for translation.

Note that when a TID value in a TLB entry is all zeros, it always causes a match in the PID compare (effectively ignoring the values of the PID register). Thus, the operating system can set the values of all the TIDs to zero, effectively eliminating the PID value from all translation comparisons.

5.2.4 Translation Flow

The effective address, concatenated with the address space value of the corresponding MSR bit (MSR[IS] or MSR[DS]), is compared to the appropriate number of bits of the EPN field (depending on the page size) and the TS field of TLB entries. If the contents of the effective address plus the address space bit matches the EPN field and TS bit of the TLB entry, that TLB entry is a candidate for a possible translation match. In addition to a match in the EPN field and TS, a matching TLB entry must match with the current process ID of the access (in PID0), or have a TID value of 0, indicating that the entry is globally shared among all processes.

Figure 5-2 shows the translation match logic for the effective address plus its attributes, collectively called the virtual address, and how it is compared with the corresponding fields in the TLB entries.

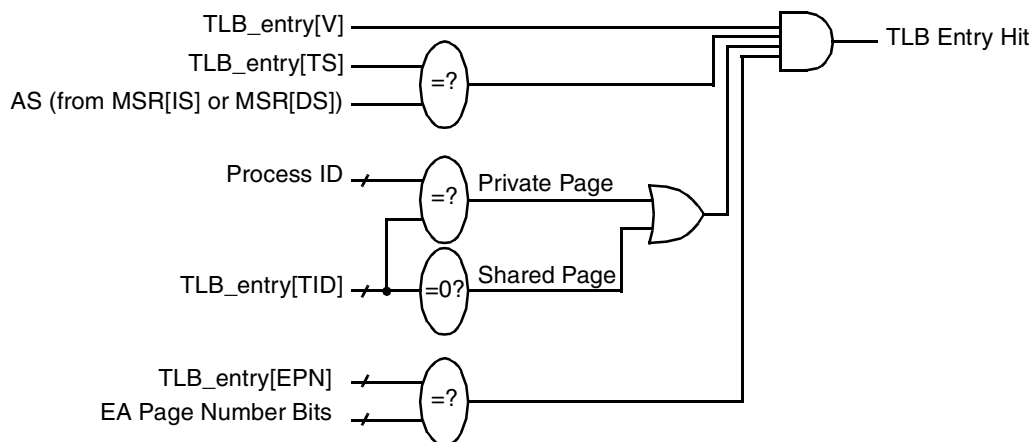


Figure 5-2. Virtual Address and TLB-Entry Compare Process

The page size defined for a TLB entry determines how many bits of the effective address are compared with the corresponding EPN field in the TLB entry as shown in Table 5-2. On a TLB hit, the corresponding bits of the real page number (RPN) field are used to form the real address.

Table 5-2. Page Size (for e200z3 Core) and EPN Field Comparison

SIZE Field	Page Size (4^{SIZE} Kbytes)	EA to EPN Comparison (Bits 32–53; $2 \times \text{SIZE}$)
0b0001	4 Kbytes	EA[32–51] = EPN[32–51]?
0b0010	16 Kbytes	EA[32–49] = EPN[0–49]?
0b0011	64 Kbytes	EA[32–47] = EPN[32–47]?
0b0100	256 Kbytes	EA[32–45] = EPN[32–45]?
0b0101	1 Mbyte	EA[32–43] = EPN[32–43]?
0b0110	4 Mbytes	EA[32–41] = EPN[32–41]?

Table 5-2. Page Size (for e200z3 Core) and EPN Field Comparison (continued)

SIZE Field	Page Size (4 ^{SIZE} Kbytes)	EA to EPN Comparison (Bits 32–53; 2 × SIZE)
0b0111	16 Mbytes	EA[32–39] = EPN[32–39]?
0b1000	64 Mbytes	EA[32–37] = EPN[32–37]?
0b1001	256 Mbytes	EA[32–35] = EPN[32–35]?

On a TLB hit, the generation of the physical address occurs as shown in [Figure 5-1](#).

5.2.5 Permissions

An operating system may restrict access to virtual pages by selectively granting permissions for user-mode read, write, and execute, and supervisor-mode read, write, and execute on a per-page basis. These permissions can be set up for a particular system (for example, program code may be execute only, and data structures may be mapped as read/write/no-execute) and be changed by the operating system based on application requests and operating system policies.

The UX, SX, UW, SW, UR, and SR access control bits are provided to support selective permissions (access control):

- SR—Supervisor read permission. Allows loads and load-type cache management instructions to access the page while in supervisor mode (MSR[PR = 0]).
- SW—Supervisor write permission. Allows stores and store-type cache management instructions to access the page while in supervisor mode (MSR[PR = 0]).
- SX—Supervisor execute permission. Allows instruction fetches to access the page and instructions to be executed from the page while in supervisor mode (MSR[PR = 0]).
- UR—User read permission. Allows loads and load-type cache management instructions to access the page while in user mode (MSR[PR = 1]).
- UW—User write permission. Allows stores and store-type cache management instructions to access the page while in user mode (MSR[PR = 1]).
- UX—User execute permission. Allows instruction fetches to access the page and instructions to be executed from the page while in user mode (MSR[PR = 1]).

If the translation match was successful, the permission bits are checked as shown in [Figure 5-3](#). If the access is not allowed by the access permission mechanism, the processor generates an instruction or data storage interrupt (ISI or DSI).

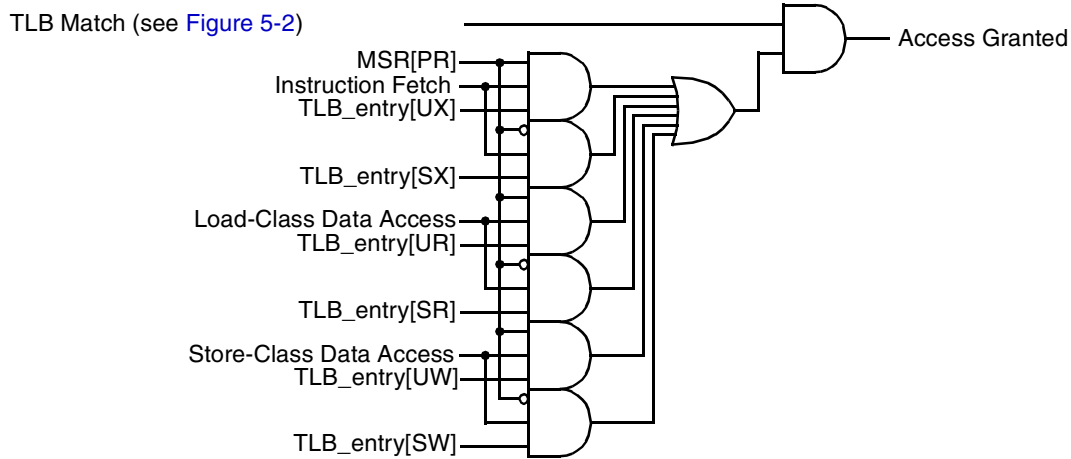


Figure 5-3. Granting of Access Permission

5.3 Translation Lookaside Buffer

The EIS architecture defines support for zero or more TLBs in an implementation, each with its own characteristics, and provides configuration information for software to query the existence and structure of TLBs through a set of SPRs—MMUCFG, TLB0CFG, TLB1CFG, and so on. By convention, TLB0 is used for a set-associative TLB with fixed page sizes, TLB1 is used for a fully-associative TLB with variable page sizes, and TLB2 is arbitrarily defined by an implementation. The e200z3 MMU supports a single TLB that is fully associative and supports variable page sizes; thus it corresponds to TLB1 in the programming model. For the rest of this document, TLB, TLBCAM, and TLB1 are used interchangeably.

The TLB on the e200z3 MMU (TLB1) consists of a 16-entry, fully-associative content-addressable memory (CAM) array with support for nine page sizes. To perform a lookup, the TLB is searched in parallel for a matching TLB entry. The contents of a matching TLB entry are then concatenated with the page offset of the original effective address. The result constitutes the real (physical) address of the access.

A hit to multiple TLB entries is considered to be a programming error. If this occurs, the TLB generates an invalid address and TLB entries may be corrupted (an exception will not be reported).

The structure of TLB1 is shown in [Figure 5-4](#).

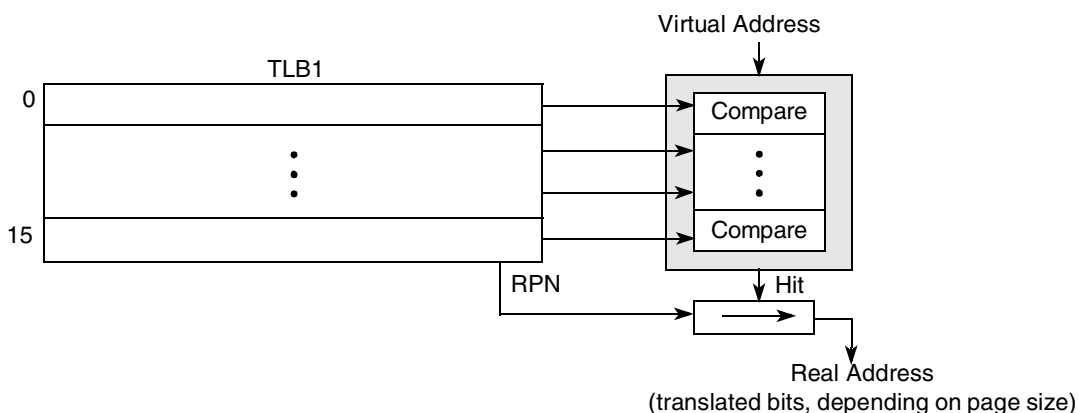


Figure 5-4. e200z3 TLB1 Organization

5.3.1 IPROT Invalidation Protection in TLB1

The IPROT bit in TLB1 is used to protect TLB entries from invalidation. TLB1 entries with IPROT set are not invalidated by a **tlbivax** instruction executed by this processor (even when the INV_ALL command is indicated), or by a flash invalidate initiated by writing to MMUCSR0[TLB1_FI]. The IPROT bit can be used to protect critical code and data such as interrupt vectors/handlers in order to guarantee that the instruction fetch of those vectors never takes a TLB miss exception. Entries with IPROT set can only be invalidated by writing a 0 to the valid bit of the entry (by using the MAS registers and executing the **tlbwe** instruction).

Invalidation operations generated by execution of the **tlbivax** instruction are guaranteed to invalidate the entry that translates the address specified in the operand of the **tlbivax** instruction. Additional entries may also be invalidated by this operation if they are not protected with IPROT. A precise invalidation can be performed by writing a 0 to the valid bit of a TLB entry.

5.3.2 Replacement Algorithm for TLB1

The replacement algorithm for TLB1 must be implemented completely by system software. Thus, when an entry in TLB1 is to be replaced, the software can select which entry to replace and write the entry number to the MAS0[ESEL] field before executing a **tlbwe** instruction.

Alternately, the software can load the entry number of the next desired victim into MAS0[NV]. The e200z3 then automatically loads MAS0[ESEL] from MAS0[NV] on a TLB error condition as shown in [Figure 5-5](#).

See [Table 5-6](#) for a complete description of MAS register updates on various exception conditions.

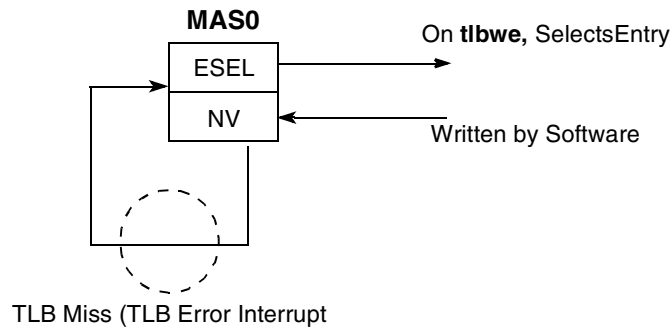


Figure 5-5. Victim Selection

5.3.3 The G Bit (of WIMGE)

The G bit provides protection from bus accesses that could be canceled due to an exception on a prior uncompleted instruction.

If $G = 1$ (guarded), these types of accesses must stall until the exception status of any instructions in progress is known. If $G = 0$ (unguarded), these accesses may be issued to the bus regardless of the completion status of other instructions. Because the core does not make requests for load or store instructions until it is known that prior instructions will complete without exceptions, the G bit is essentially ignored. Proper operation always occurs to guarded storage.

5.3.4 TLB Entry Field Summary

[Table 5-3](#) summarizes the fields of e200z3 TLB entries. Note that all of these fields are defined at the Freescale Book E level.

Table 5-3. TLB Entry Bit Fields for e200z3

Field	Description
V	Valid bit for entry
TS	Translation address space (compared with AS bit of the current access)
TID[0–7]	Translation ID (compared with PID0 or TIDZ (all zeros))
EPN[0–19]	Effective page number (compared with effective address)
RPN[0–19]	Real page number (translated address)

Table 5-3. TLB Entry Bit Fields for e200z3 (continued)

Field	Description
SIZE[0–3]	Encoded page size 0000 Reserved 0001 4 Kbytes 0010 16 Kbytes 0011 64 Kbytes 0100 256 Kbytes 0101 1 Mbyte 0110 4 Mbytes 0111 16 Mbytes 1000 64 Mbytes 1001 256 Mbytes All others—reserved
SX, SW, SR	Supervisor execute, write, and read permission bits
UX, UW, UR	User execute, write, and read permission bits
WIMGE	Memory/cache attributes (write-through, cache-inhibit, memory coherence required, guarded, endian)
U0–U3	User attribute bits—used only by software
IPROT	Invalidation protection
VLE	VLE page indicator

5.4 Software Interface and TLB Instructions

TLB1 is accessed indirectly through several MMU assist (MAS) registers, which software can write and read with **mtspr** and **mfspir** instructions. MAS registers contain information related to reading and writing a given entry within TLB1. Data is read from the TLB into the MAS registers with a **tlbre** (TLB Read Entry) instruction and is written to the TLB from the MAS registers with a **tlbwe** (TLB Write Entry) instruction.

Certain fields of the MAS registers are also written by hardware when an instruction TLB error, data TLB error, DSI, or ISI interrupt occurs.

On a TLB error interrupt, the MAS registers are written by hardware with the proper EA, default attributes (TID, WIMGE, permissions, and so on), TLB selection information, and an entry in the TLB to replace. Software manages this entry selection information by updating a replacement entry value during TLB miss handling. Software must provide the correct RPN and permission information in one of the MAS registers before executing a **tlbwe** instruction.

On taking a DSI or ISI interrupt, hardware updates only the search PID (SPID) and search address space (SAS) fields in the MAS registers, using the contents of PID0 and the corresponding MSR[IS] or MSR[DS] value used when the data or instruction storage interrupt was recognized. During the interrupt handler, software can issue a TLB Search Instruction (**tlbsx**), which uses the SPID field along with the SAS field, to determine the entry related to the data or instruction storage interrupt. Note that it is possible that the entry that caused the data or instruction storage interrupt no longer exists in the TLB by the time the search occurs if a TLB invalidate or replacement removes the entry between the time the exception is recognized and when the **tlbsx** is executed.

The supervisor instructions **tlbre**, **tlbwe**, **tlbsx**, **tlbivax**, and **tlbsync** are fully described in the *EREF*.

- TLB Read Entry (**tlbre**)—Causes contents of the TLB entry specified by MAS0[TLBSEL,ESEL] to be placed into MAS1–MAS3. [Table 5-6](#) describes how MAS fields are updated.
- TLB Write Entry (**tlbwe**)—Causes the contents of certain fields within the MAS1, MAS2, and MAS3 to be written into the TLB entry specified by MAS0[TLBSEL,ESEL]. [Table 5-6](#) describes how MAS fields are updated.
- TLB Search Indexed (**tlbsx**)—Updates the MAS registers conditionally based on success or failure of a TLB lookup. The lookup is controlled by an effective address provided by rB as specified in the instruction encoding, and by MAS6[SAS,SPID]. The values placed into MAS0–MAS3 differ depending on the success of the search. [Table 5-6](#) describes how MAS fields are updated.
- TLB Invalidate (**tlbivax**)—Invalidates TLB entries that correspond to the virtual address calculated by this instruction. The address is detailed in [Table 5-4](#). No other information except for that shown in [Table 5-4](#) is used for the invalidation (AS and TID values are ignored).

Additional information about the targeted TLB entries is encoded in two of the lower bits of the effective address calculated by the **tlbivax**.

EA[0–19] are used to perform the **tlbivax** invalidation of TLB1.

Table 5-4. tlbivax EA Bit Definitions

Bits	Field
0–19	EA[0–19]
20–27	Reserved ¹
28	TLBSEL (1 = TLB1). Should be set, for future compatibility and to ensure that TLB1 is targeted by the invalidate.
29	INV_ALL. If set, indicates that the invalidate operation needs to completely invalidate all TLB1 entries that are not marked as invalidation protected (IPROT = 1)
30–31	Reserved ¹

¹ These bits should be zero for future compatibility. They are ignored.

- TLB Synchronize (**tlbsync**)—Treated as a privileged no-op by the e200z3.

5.5 TLB Operations

This section describes how the software (with some hardware assistance) maintains TLB1.

5.5.1 Translation Reload

The TLB reload function is performed in software with some hardware assistance. This hardware assistance consists of the following:

- Five 32-bit MMU assist registers (MAS0–MAS4, MAS6) for support of the **tlbre**, **tlbwe**, and **tlbsx** TLB management instructions.
- Loading of MAS0–MAS2 based upon defaults in MAS4 for TLB miss exceptions. This automatically generates most of the TLB entry.

- Loading of the data exception address register (DEAR) with the EA of the load, store, or cache management instruction that caused an alignment, data TLB miss, or data storage interrupt.
- The **tlbwe** instruction. When **tlbwe** is executed, the new TLB entry contained in MAS0–MAS2 is written into the TLB.

5.5.2 Reading the TLB

The TLB array can be read by first writing the necessary information into MAS0 using **mtspr** and then executing the **tlbre** instruction. To read an entry from TLB1, MAS0[TLBSEL] must be set to 01 and MAS0[ESEL] must be set to point to the desired entry. After **tlbre** executes, MAS1–MAS3 are updated with the data from the selected TLB entry. See [Section 5.4, “Software Interface and TLB Instructions.”](#)

5.5.3 Writing the TLB

The TLB1 array can be written by first writing the necessary information into MAS0–MAS3 using **mtspr** and then executing the **tlbwe** instruction. To write an entry into TLB1, the TLBSEL field in MAS0 must be set to 01, and the ESEL bits in MAS0 must be set to point to the desired entry. When the **tlbwe** instruction is executed, the TLB entry information stored in MAS1–MAS3 is written into the selected TLB entry. See [Section 5.4, “Software Interface and TLB Instructions.”](#)

5.5.4 Searching the TLB

TLB1 can be searched using a **tlbsx** by first writing the necessary information into MAS6. The **tlbsx** instruction searches using EPN[0–19] from the GPR selected by the instruction, SAS (search AS bit) in MAS6, and SPID in MAS6. If the search is successful, the given TLB entry information is loaded into MAS0–MAS3. The valid bit in MAS1 is used as the success flag. If the search is successful, the valid bit in MAS1 is set; if unsuccessful, it is cleared. The **tlbsx** instruction is useful for finding the TLB entry that caused a data or instruction storage interrupt. See [Section 5.4, “Software Interface and TLB Instructions.”](#)

5.5.5 TLB Coherency Control

The e200z3 core provides the ability to invalidate a TLB entry as described in the Book E PowerPC architecture. The **tlbivax** instruction invalidates local TLB entries only. No broadcast is performed, as no hardware-based coherency support is provided.

The **tlbivax** instruction invalidates by effective address only. This means that only the TLB entry’s EPN bits are used to determine if the TLB entry should be invalidated. Therefore, a single **tlbivax** can invalidate multiple TLB entries, because the AS and TID fields of the entries are ignored.

5.5.6 TLB Miss Exception Update

When a TLB miss exception occurs, MAS0–MAS3 are updated with the defaults specified in MAS4 and the AS and EPN[0–19] of the access that caused the exception. In addition, the ESEL bits are updated with the replacement entry value. This sets up all the TLB entry data necessary for a TLB write except for the RPN[0–19], the U0–U3 user bits, and the UX/SX/UW/SW/UR/SR permission bits, all of which are stored in MAS3. Thus, if the defaults stored in MAS4 are applicable to the TLB entry to be loaded, the TLB miss

exception handler only has to update MAS3 through **mtspr** before executing **tlbwe**. If the defaults are not applicable to the TLB entry being loaded, the TLB miss handler must update MAS0–MAS2 before performing the TLB write.

See [Table 5-6](#) for more details on the automatic updates to the MAS registers on exceptions.

5.5.7 TLB Load on Reset

During reset, all TLB entries except entry 0 are automatically invalidated by the hardware. TLB entry 0 is also loaded with the default values in [Table 5-5](#).

Table 5-5. TLB Entry 0 Values after Reset

Field	Reset Value	Comments
VALID	1	Entry is valid.
TS	0	Address space 0
TID[0–7]	0x00	TID value for shared (global) page
EPN[0–19]	<i>p_rstbase[0:19]</i> value	Page address present on <i>p_rstbase[0:19]</i> . See Chapter 7, “External Core Complex Interfaces.”
RPN[0–19]	<i>p_rstbase[0:19]</i> value	Page address present on <i>p_rstbase[0:19]</i> . See Chapter 7, “External Core Complex Interfaces.”
SIZE[0–3]	0001	4KB page size
SX/SW/SR	111	Full supervisor mode access allowed
UX/UW/UR	111	Full user mode access allowed
WIMG	0100	Cache-inhibited, non-coherent
E	<i>p_rst_endmode</i> value	Value present on <i>p_rst_endmode</i> . See Chapter 7, “External Core Complex Interfaces.”
U0–U3	0000	User bits
IPROT	1	Page is protected from invalidation.
VLE	<i>p_rst_vlemode</i> value	Value present on <i>p_rst_vlemode</i> signal. See Table 7-3 for more information.

5.6 MMU Configuration and Control Registers

Information about the configuration for a given MMU implementation is available to system software by reading the contents of the MMU configuration SPRs. These SPRs describe the architectural version of the MMU, the number of TLB arrays, and the characteristics of each TLB array. Additionally, there are a number of MMU control and assist registers summarized in [Section 2.16.4, “MMU Assist Registers \(MAS0–MAS4, MAS6\).”](#)

5.6.1 MMU Configuration Register (MMUCFG)

MMUCFG provides configuration information for the MMU supplied with this version of the e200z3 CPU core. See [Section 2.16.2, “MMU Configuration Register \(MMUCFG\).”](#)

5.6.2 TLB0 and TLB1 Configuration Registers

TLB0CFG and TLB1CFG provide configuration information for the MMU TLBs supplied with this version of the e200z3 CPU core. See [Section 2.16.3, “TLB Configuration Registers \(TLBnCFG\).”](#)

5.6.3 Data Exception Address Register (DEAR)

DEAR, described in [Section 2.8.1.5, “Data Exception Address Register \(DEAR\),”](#) is loaded with the effective address of the data access that results in an alignment, data TLB miss, or data storage interrupt.

5.6.4 MMU Control and Status Register 0 (MMUCSR0)

MMUCSR0, shown in [Section 2.16.1, “MMU Control and Status Register 0 \(MMUCSR0\),”](#) controls the state of the MMU.

5.6.5 MMU Assist Registers (MAS)

The e200z3 uses MAS0–MAS4 and MAS6 SPRs to facilitate reading, writing, and searching the TLBs. The e200z3 does not implement MAS5, because the `tlbsx` instruction only searches based on a single SPID value.

MAS registers are described in [Section 2.16.4, “MMU Assist Registers \(MAS0–MAS4, MAS6\).”](#)

5.6.5.1 MAS Registers Summary

The fields of the MAS registers are summarized in [Figure 5-6](#).

	32	33	34	35	36	37	38	39	40	41	42	43	44	45	46	47	48	49	50	51	52	53	54	55	56	57	58	59	60	61	62	63
MAS0	—		TLBSEL	—				ESEL				—						NV														
MAS1	VALID	IPROT	—				TID				—	TS	TSIZ			—																
MAS2	EPN											—				VLE	W	I	M	G	E											
MAS3	RPN											—	U0	U1	U2	U3	UX	SX	UW	SW	UR	SR										
MAS4	—		TBSELD	—				TIDSELD				—		TSIZED			—	VLED	WD	ID	MD	GD	ED									
MAS6	—				SPID				—											SAS												

Figure 5-6. MMU Assist Registers Summary

5.6.5.2 MAS Register Updates

[Table 5-6](#) details the updates to each MAS register field for each update type.

Table 5-6. MMU Assist Register Field Updates

Bit/Field	MAS Affected	ITLB/DTLB Error	tlbsx hit	tlbsx miss	tlbre	tlbwe	ISI/DSI
TLBSEL	0	TLBSELD	'01'	TLBSELD	NC ¹	NC	NC
ESEL	0	NV	Matched entry	NV	NC	NC	NC
NV	0	NC	NC	NC	NC	NC	NC
VALID	1	1	1	0	V(array)	NC	NC
IPROT	1	0	Matched IPROT	0	IPROT(array)	NC	NC
TID[0-7]	1	TIDSELD (PID0,TIDZ)	TID(array)	SPID	TID(array)	NC	NC
TS	1	MSR(IS/DS)	SAS	SAS	TS(array)	NC	NC
TSIZE[0-3]	1	TSIZED	TSIZE(array)	TSIZED	TSIZE(array)	NC	NC
EPN[0-19]	2	I/D EPN	EPN(array)	tlbsx EPN	EPN(array)	NC	NC
WIMGE	2	Default values	WIMGE(array)	Default values	WIMGE(array)	NC	NC
RPN[0-19]	3	Zeroed	RPN(Array)	Zeroed	RPN(array)	NC	NC
ACCESS (PERMISS + U0-U3)	3	Zeroed	Access(Array)	Zeroed	Access(array)	NC	NC
TLBSELD	4	NC	NC	NC	NC	NC	NC
TIDSELD[0-1]	4	NC	NC	NC	NC	NC	NC
TSIZED[0-3]	4	NC	NC	NC	NC	NC	NC
Default WIMGE	4	NC	NC	NC	NC	NC	NC
SPID	6	PID0	NC	NC	NC	NC	NC
SAS	6	MSR(IS/DS)	NC	NC	NC	NC	NC

¹ NC—no change

5.7 Effect of Hardware Debug on MMU Operation

Hardware debug facilities use normal CPU instructions to access register and memory contents during a debug session. If desired during a debug session, the debug firmware may disable the translation process and may substitute default values for the access protection (UX, UR, UW, SX, SR, SW) bits and values obtained from the OnCE control register for page attribute (W, I, M, G, E) bits normally provided by a matching TLB entry. In addition, no address translation is performed; instead, a 1:1 mapping of effective-to-real addresses is performed. When disabled during the debug session, no TLB miss or TLB access protection-related DSI conditions occur. If there is a need for the debugger to use the normal translation process, the MMU may be left enabled in the OnCE OCR, and normal translation (including the possibility of a TLB miss or DSI) remains in effect. Refer to [Section 9.5.5.3, “OnCE Control Register \(OCR\),”](#) for details on controlling MMU operation during debug sessions.



Chapter 6

Instruction Pipeline and Execution Timing

This chapter describes the instruction pipeline and instruction timing information. The core is partitioned into the following systems:

- Instruction unit
- Control unit
- Integer unit
- Load/store unit
- Core interface

6.1 Overview of Operation

Figure 6-1 shows a block diagram of the e200z3 core. The instruction fetch unit prefetches instructions from memory into the instruction buffers. The decode unit decodes each instruction and generates information needed by the branch and execution units. Branch target instructions are written into the branch target prefetch buffers; sequentially prefetched instructions are written into the instruction buffers.

The instruction fetch unit attempts to supply a constant stream of instructions to the execution pipeline. It does so by decoding and detecting branches early in the instruction buffer, making branch predictions, and prefetching their branch targets into the instruction buffer. By prefetching the branch targets early, some or all of the branch pipeline bubbles can be hidden from the execution pipeline.

The instruction issue unit attempts to issue a single instruction each cycle to one of the execution units. Source operands for each of the instructions are provided from the GPRs or from the operand feed-forward muxes. Data or resource hazards may create conditions that stall instruction issue until the hazard is eliminated.

The execution units write the result of a finished instruction onto the proper result bus and into the destination registers. The writeback logic retires an instruction when the instruction has finished execution. Up to two results can be simultaneously written.

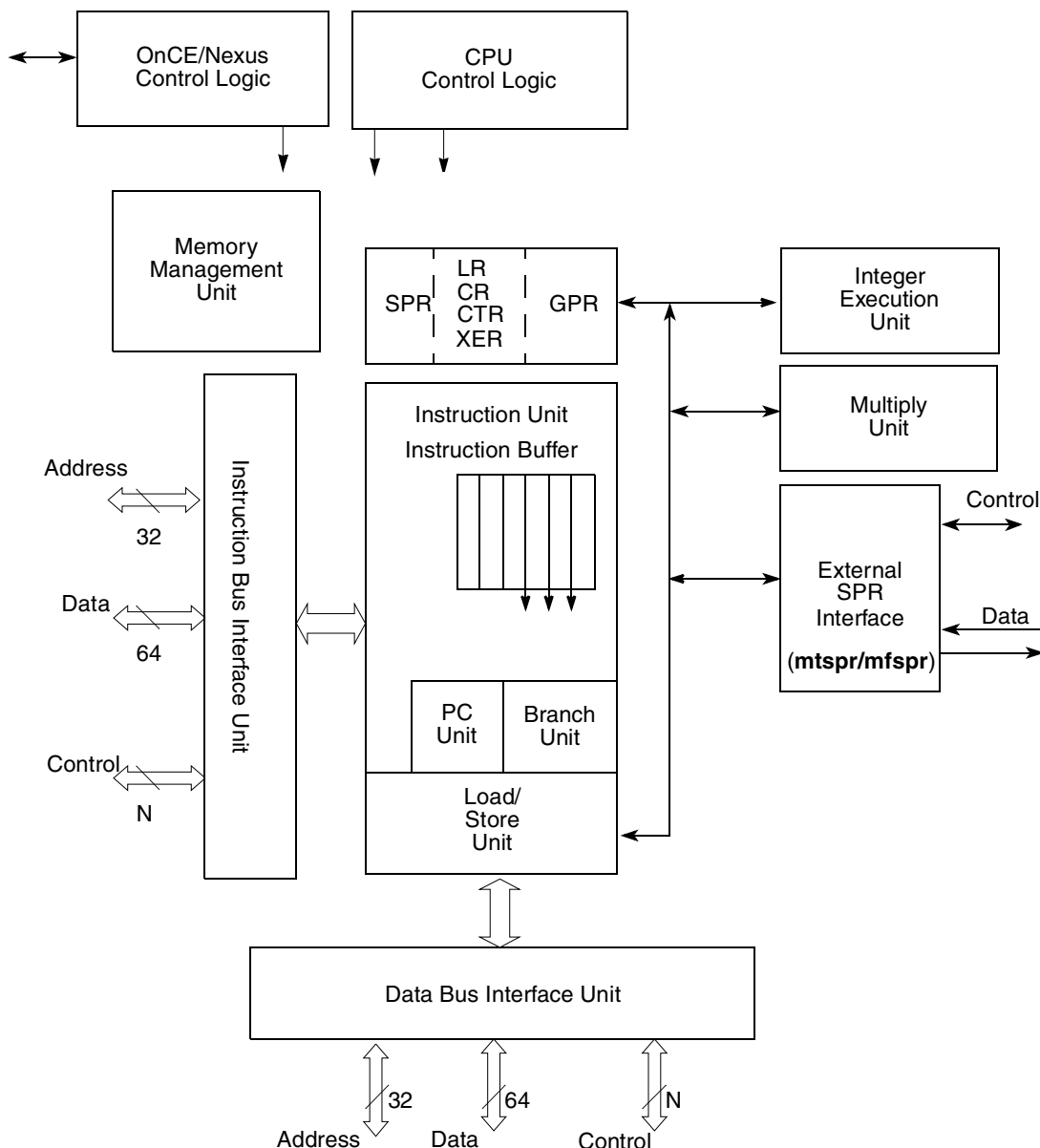


Figure 6-1. e200z3 Block Diagram

6.1.1 Control Unit

The control unit coordinates the instruction fetch unit, branch unit, instruction decode unit, instruction issue unit, completion unit, and exception handling logic.

6.1.2 Instruction Unit

The instruction unit controls the flow of instructions to the instruction buffers and decode unit. Six prefetch buffers allow the instruction unit to fetch instructions ahead of actual execution, and serve to decouple memory and the execution pipeline.

6.1.3 Branch Unit

The branch unit contains an eight-entry branch target buffer (BTB) to accelerate execution of branch instructions.

Untaken conditional branches execute in a single clock. Branches with successful target prefetching have an effective execution time of one clock cycle. All other taken branches have an execution time of two clocks.

6.1.4 Instruction Decode Unit

The decode unit includes the instruction buffers. A single instruction can be decoded each cycle. The major functions of the decode logic are as follows:

- Opcode decoding to determine the instruction class and resource requirements for each instruction being decoded.
- Source and destination register dependency checking.
- Execution unit assignment.
- Determine any decode serializations and inhibit subsequent instruction decoding.

The decode unit operates in a single processor clock cycle.

6.1.5 Exception Handling

The exception handling unit includes logic to handle exceptions, interrupts, and traps.

6.2 Execution Units

The core data execution units consist of the integer unit and the load/store unit. Included in the execution units section are the general purpose registers (GPRs). Instructions with data dependencies begin execution when all such dependencies are resolved.

6.2.1 Integer Execution Unit

The integer execution unit is used to process arithmetic and logical instructions. Adds, subtracts, compares, count leading zeros, shifts, and rotates execute in a single cycle.

Multiply instructions have a latency and throughput rate of 1 cycle.

Divide instructions have a variable latency (6–16 cycles) depending on the operand data. The worst case integer divide requires 16 cycles. While the divide is running, the rest of the pipeline is unavailable for additional instructions (blocking divide).

6.2.2 Load/Store Unit

The load/store unit executes instructions that move data between the GPRs and the memory subsystem. A load followed by a dependent instruction does not incur any pipeline stall, except when the dependent

instruction is a load/store instruction, and the latter instruction is using the previous load data for its effective address (EA) calculation.

Loads, when free of the above EA calculation dependency, execute with a maximum throughput of one per cycle and one-cycle latency. Store data can be fed forward from an immediately preceding load with no stall.

6.3 Instruction Pipeline

The four-stage processor pipeline consists of stages for instruction fetch (IFETCH), instruction decode (DECODE), execution (EXECUTE), and result writeback (WB). For memory operations, the EA generation occurs in the decode stage, while the memory access occurs in the execute stage.

The processor also contains an instruction prefetch buffer to allow buffering of instructions prior to the decode stage. Instructions proceed from this buffer to the instruction decode stage by entering the instruction decode register IR.

Table 6-1. Pipeline Stages

Stage	Description
IFETCH1	Instruction fetch from memory
DECODE/EA	Instruction decode/register read/operand forwarding/EA calculation
EXECUTE/MEM	Instruction execution/memory access
WB	Write back to registers

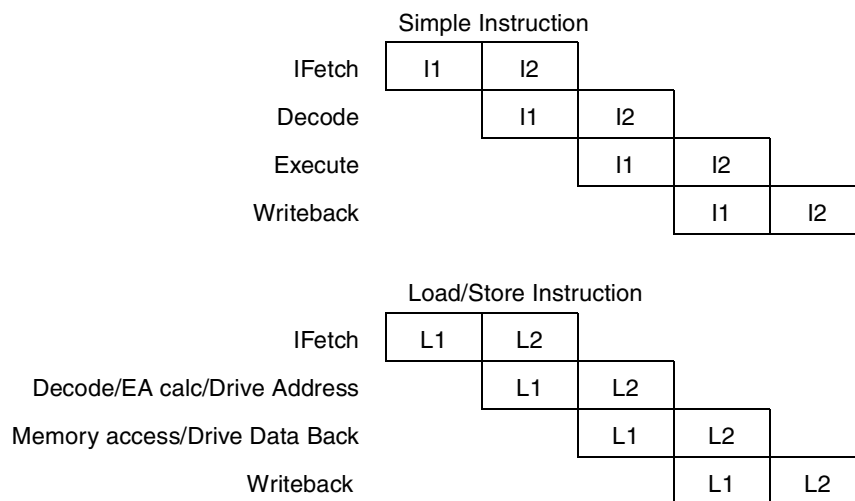


Figure 6-2. Pipeline Diagram

6.3.1 Description of Pipeline Stages

The fetch pipeline stages retrieve instructions from the memory system and determine where the next instruction fetch is performed. Up to two instructions every cycle are sent from memory to the instruction buffers.

The decode stage decodes instructions and performs dependency checking. Simple integer instructions complete execution in the execute stage of the pipeline.

Execution of load/store instructions is pipelined. The EA calculations for load/store instructions are performed in the decode stage. This EA is driven out to the data memory in the same stage. The actual memory access occurs in the execute stage.

Load-to-use dependencies do not incur pipeline bubbles except when the dependent instruction is a load or store instruction, and the latter instruction is dependent on its previous load data for EA calculation. If an ALU instruction is dependent on a load instruction, the data is fed directly into the ALU for execution. No pipeline bubble is incurred in this case.

Multiply instructions require one clock to execute. All condition-setting instructions complete in the execute stage of the pipeline.

Feed-forwarding allows the result of one instruction to be made available as the source operand(s) of a subsequent instruction so that data-dependent instructions can execute without waiting for previous instructions to write back their results.

6.3.2 Instruction Buffers

The e200z3 contains a set of instruction buffers that supply instructions into the instruction register (IR) for decoding.

Instruction prefetches request a 64-bit double word and the buffer is filled with a pair of instructions at a time, except for the case of a change of flow fetch where the target is to the second (odd) word. In that case, only a 32-bit prefetch is performed to load the instruction buffer. This 32-bit fetch may be immediately followed by a 64-bit prefetch to fill slots 0 and 1 in the event that the branch is resolved to be taken.

In normal sequential execution, instructions are loaded into the IR from slot 0, and as a pair of slots are emptied, they are refilled. Whenever a pair of slots is empty, a 64-bit prefetch is initiated that fills the earliest empty slot pairs beginning with slot 0.

If the instruction buffer empties, instruction issue stalls, and the buffer is refilled. The first returned instruction is forwarded directly to the IR.

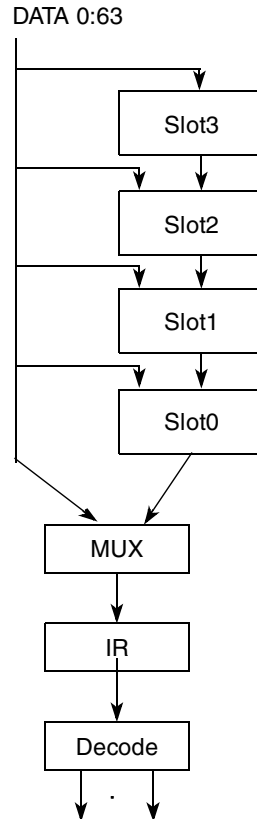


Figure 6-3. Instruction Buffers

HID0[BPRED] controls whether prediction is made for forward or backward branches (or both).

To resolve branch instructions and improve the accuracy of branch predictions, the e200z3 implements a dynamic branch prediction mechanism using an 8-entry branch target buffer (BTB), a fully associative address cache of branch target addresses. The BTB is purposefully small to reduce cost and power. It is expected to accelerate the execution of loops with some potential change of flow within the loop body.

An entry is allocated in the BTB whenever a branch resolves as taken and the BTB is enabled. Branches that have not been allocated are always predicted as not taken. BTB entries are allocated on taken branches using a FIFO replacement algorithm.

Each BTB entry holds a 2-bit branch history counter, whose value is incremented or decremented on a BTB hit, depending on whether the branch was taken. The counter can assume four different values: strongly taken, weakly taken, weakly not taken, and strongly not taken.

A branch is predicted as taken on a hit in the BTB with a counter value of strongly or weakly taken. In this case, the target address contained in the BTB is used to redirect the instruction fetch stream to the target of the branch prior to the branch reaching the instruction decode stage. In the case of a mispredicted branch, the instruction fetch stream returns to the sequential instruction stream after the branch has been resolved.

When a branch is predicted taken and the branch is later resolved (in the branch decode stage), the value of the counter is updated. A branch whose counter indicates weakly taken is resolved as taken, the counter

increments so that the prediction becomes strongly taken. If the branch resolves as not taken, the prediction changes to weakly not-taken. The counter saturates in the strongly taken states when the prediction is correct.

The e200z3 does not implement the static branch prediction that is defined by the PowerPC architecture. The BO prediction bit in branch encodings is ignored.

Dynamic branch prediction is enabled by setting BUCSR[BPEN]. Clearing BUCSR[BPEN] disables dynamic branch prediction, in which case the e200z3 predicts every branch as not taken. Additional control is available in the HID0[BPRED] field to control whether forward or backward branches (or both) are candidates for entry into the BTB, and thus for branch prediction. Once a branch is in the BTB, HID0[BPRED] has no further effect on that branch entry.

The BTB uses virtual addresses for performing tag comparisons. On allocation of a BTB entry, the EA of a taken branch, along with the current instruction space (as indicated by MSR[IS]) is loaded into the entry, and the counter value is set to weakly taken. The current PID value is not maintained as part of the tag information.

The BTB is automatically flushed when the current PID value is updated by an **mtspr PID** instruction. Software is otherwise responsible for maintaining coherency in the BTB when a change in effective-to-real (virtual-to-physical) address mapping is changed. This is supported by the BUCSR[BBFI] control bit.

Tag		Data		
Branch addr[0:29]	IS	Target address[0:29]	Counter	Entry 0
Branch addr[0:29]	IS	Target address[0:29]	Counter	Entry 1
...	Entry 2
Branch addr[0:29]	IS	Target address[0:29]	Counter	Entry 3

IS = Instruction Space

Figure 6-4. Branch Target Buffer

6.3.3 Single-Cycle Instruction Pipeline Operation

Sequences of single-cycle execution instructions follow the flow in [Figure 6-5](#). Instructions are issued and completed in program order. Most arithmetic and logical instructions fall into this category.

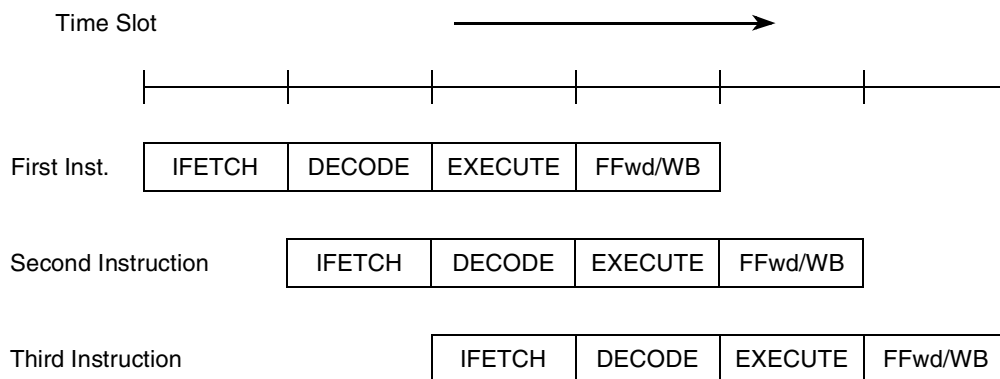


Figure 6-5. Basic Pipeline Flow, Single-Cycle Instructions

6.3.4 Basic Load and Store Instruction Pipeline Operation

The EA calculations for load and store instructions are performed in the decode stage. The memory access occurs in the execution stage.

If a load instruction is followed by a dependent ALU instruction, the load data is driven from the memory in the MEM stage and feed-forwarded into the dependent ALU instruction in the following cycle. As a result, there is no load-to-use pipeline bubble. Figure 6-6 shows the instruction flow for a load instruction followed by a dependent add instruction.

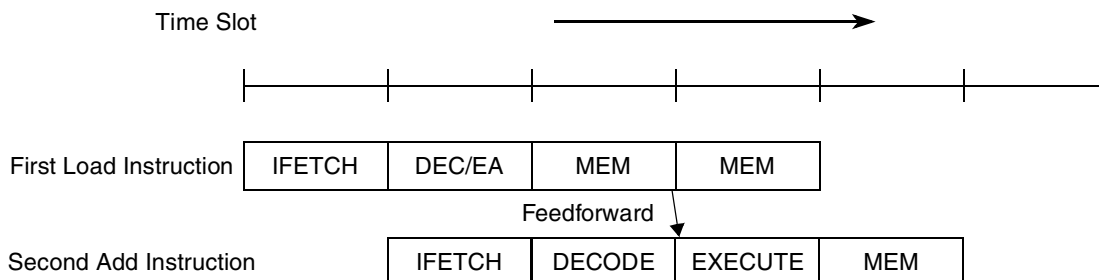


Figure 6-6. A Load Followed by a Dependent Add Instruction

Back-to-back load/store instructions are executed in a pipelined fashion, provided that their EA calculations are not dependent on their previous load instructions. Figure 6-7 shows the basic pipeline flow for two back-to-back load instructions. In this case, the second load does not depend on its previous load data for its EA calculation. Notice that the memory access of the first load instruction overlaps in time with the EA calculation of the second load instruction.

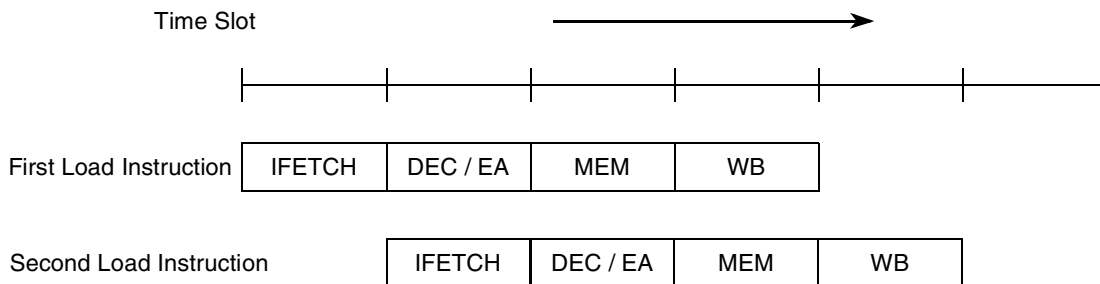


Figure 6-7. Back-to-Back Load Instructions

When a load is followed by a load or a store instruction that depends on the first load data for EA calculation, a pipeline stall is incurred. [Figure 6-8](#) shows the instruction flow for a load instruction followed by a dependent store instruction through EA calculation. The second store instruction in this case is dependent on the first load instruction for its EA calculation.

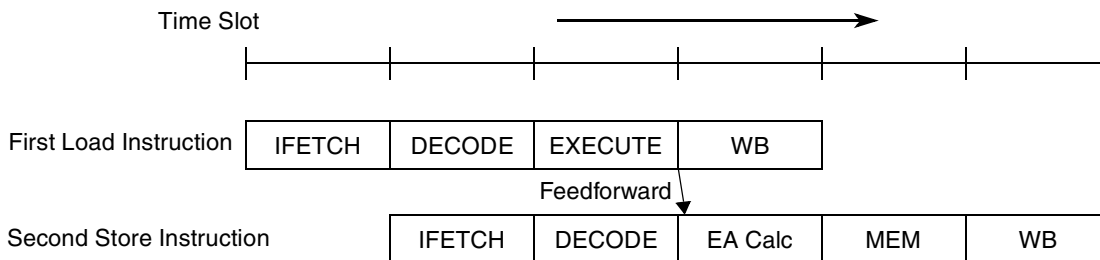


Figure 6-8. A Load Followed by a Dependent Store Instruction

A store instruction that depends on its previous load for its store data does not stall the pipeline.

6.3.5 Change-of-Flow Instruction Pipeline Operation

A branch instruction takes either one or 2 cycles to execute. Simple change of flow instructions require 2 cycles to refill the pipeline with the target instruction for taken branches and branch and link instructions with no prediction.

For branch-type instructions, in some situations, this 2-cycle timing may be reduced by performing the target fetch speculatively while the branch instruction is still being fetched into the instruction buffer. The branch target address is obtained from the BTB. The resulting branch timing reduces to a single clock when the target fetch is initiated early enough and the branch is taken. [Figure 6-9](#) shows basic pipeline flow for branch instructions.

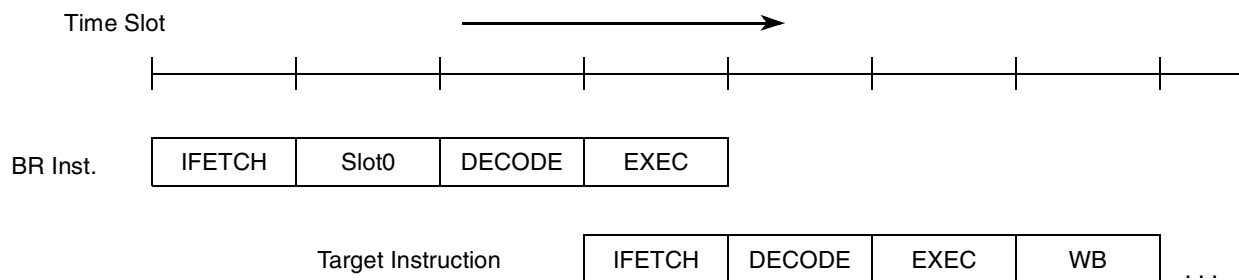


Figure 6-9. Basic Pipeline Flow, Branch Instructions

Figure 6-10 shows basic pipeline flow for branch speculation.

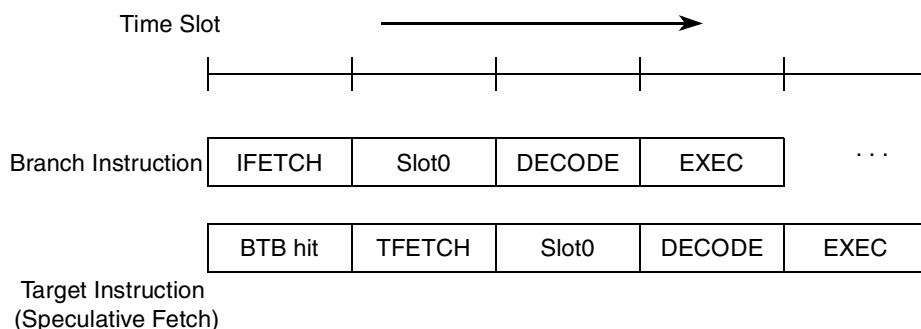


Figure 6-10. Basic Pipeline Flow, Branch Speculation

6.3.6 Basic Multi-Cycle Instruction Pipeline Operation

The divide instructions and the load and store multiple instructions require multiple cycles in the execute stage.

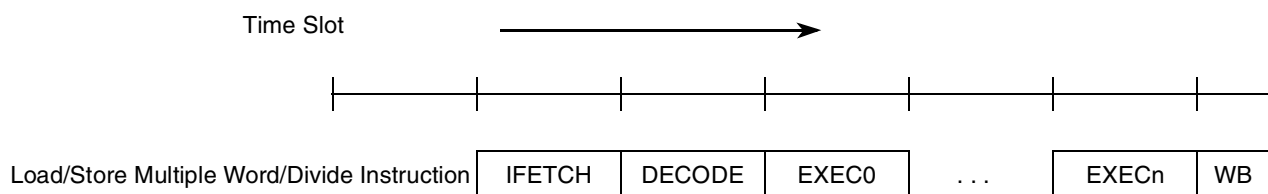


Figure 6-11. Basic Pipeline Flow, Multi-Cycle Instructions

Instructions must complete and write back results in order. A single cycle instruction that follows a multi-cycle instruction must wait for completion of the multi-cycle instruction prior to its writeback in order to meet the in-order requirement. Result feed-forward paths are provided so that execution may continue prior to result writeback.

6.3.7 Additional Examples of Instruction Pipeline Operation for Load and Store

Figure 6-12 shows an example of pipelining two non-data-dependent load or store instructions with a following data-dependent single-cycle instruction. While the first load or store begins accessing memory

in the MEM stage, the next load or store can be calculating a new EA in the DEC/EA stage. The **add** in this example does not stall despite a data dependency on its preceding load instruction.

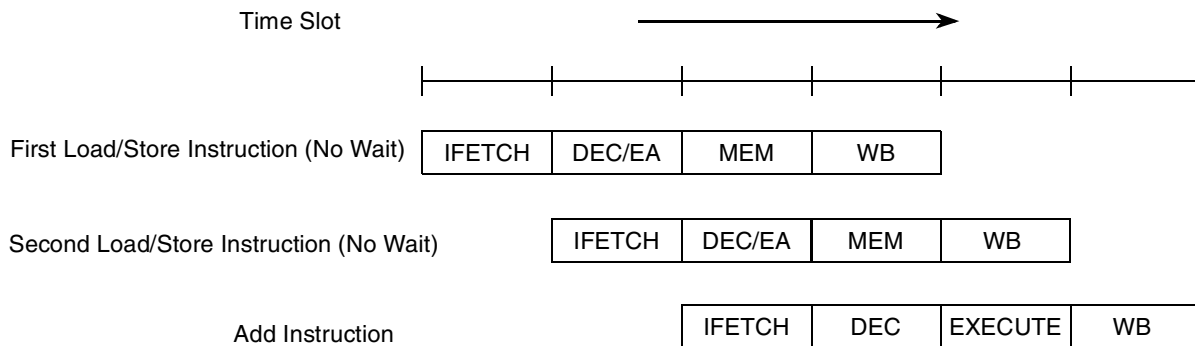


Figure 6-12. Pipelined Load/Store Instructions

For memory access instructions, wait states may occur. This causes a following memory access instruction to stall since the following memory access may not be initiated as shown in [Figure 6-13](#). Here, the first ld/st instruction incurs a wait state on the bus interface, causing succeeding instructions to stall.

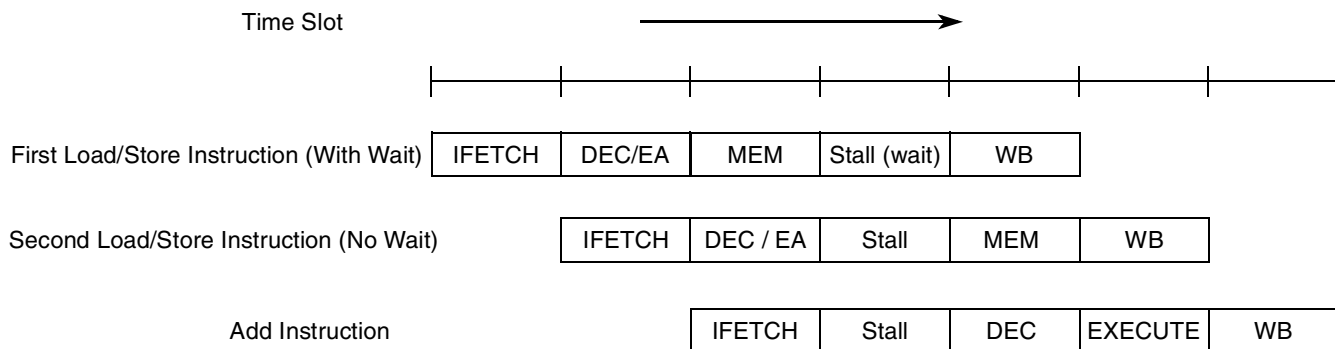


Figure 6-13. Pipelined Load/Store Instructions with Wait-State

6.3.8 Move to/from SPR Instruction Pipeline Operation

Most **mtspr** and **mfscr** instructions are treated like single-cycle instructions in the pipeline and do not cause stalls. Exceptions are for the MSR, the debug SPRs, the embedded floating-point APUs, and MMU SPRs, which do cause stalls. [Figure 6-14](#) through [Figure 6-16](#) show examples of **mtspr** and **mfscr** instruction timing.

[Figure 6-14](#) applies to the debug SPRs and the EFPU’s EFSCR. These instructions do not begin execution until all previous instructions have finished their execute stage. If a multicyle instruction precedes an **mfscr** or **mtspr** instruction, the **mfscr** or **mtspr** instruction does not begin execution until the preceding multicyle instruction moves into the writeback stage as shown in [Figure 6-14](#). In addition, execution of subsequent instructions stalls until the **mfscr** and **mtspr** instructions complete.

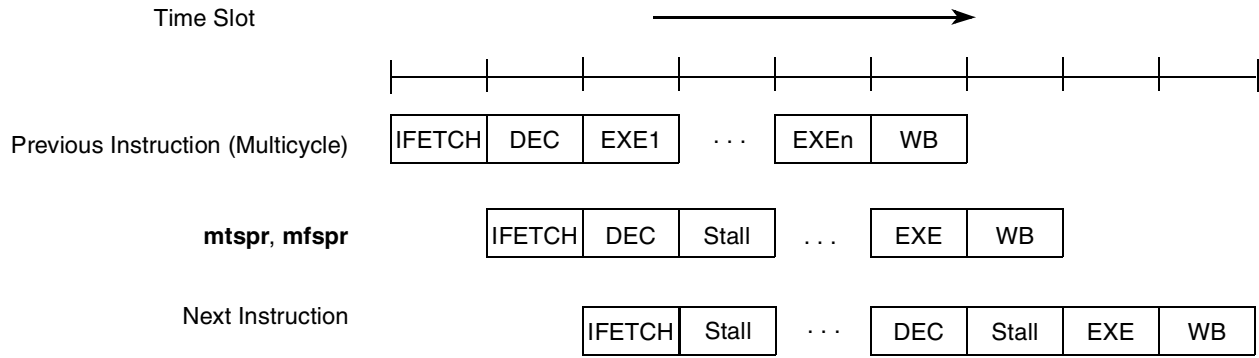


Figure 6-14. mtspr, mfspr Instruction Execution—(1)

Figure 6-15 applies to the **mtmsr**, **wrtee**, and **wrteei** instructions. Execution of subsequent instructions stalls until these instructions writeback.

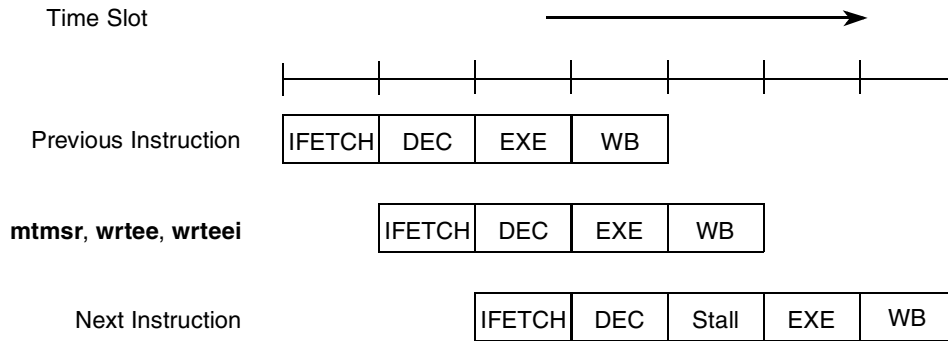


Figure 6-15. mtmysr, wrtee, wrteei Instruction Execution

Access to MMU SPRs stalls until all outstanding bus accesses complete and the MMU is idle (*p_[i,d]_cmbusy* negated) to allow an access window where no translations or cache cycles are required. Figure 6-16 shows an example where an outstanding bus access delays **mtspr/mfspr** execution until the bus becomes idle. Processor access requests are held off during execution of an MMU SPR instruction. A subsequent access request may be generated in the WB cycle. This same protocol applies to MMU management instructions (such as **tlbre**, **tlbwe**, etc.) as well as to the DCRs.

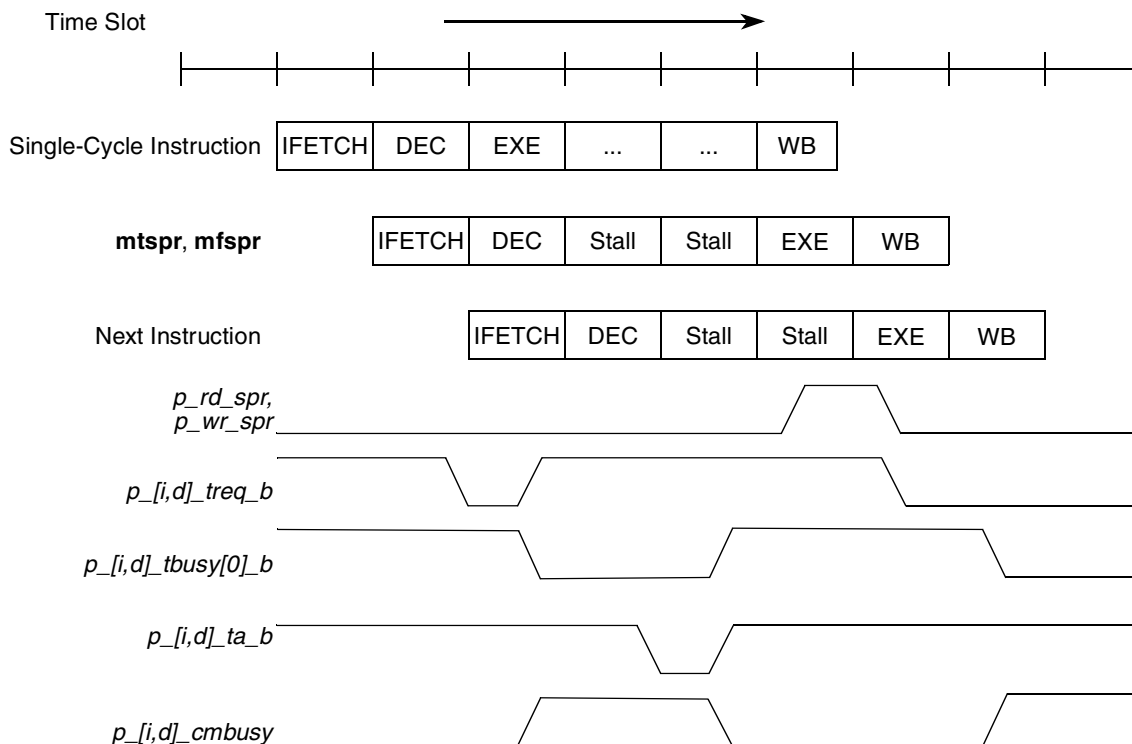


Figure 6-16. DCR, MMU `mtspr`, `mfspr`, and MMU Management Instruction Execution

6.4 Stalls Caused by Accessing SPRs

An `mfspr` instruction preceded by an `mtspr` instruction cannot be issued until the `mtspr` completes.

6.5 Instruction Serialization

The core requires three types of serialization:

- Completion serialization. A completion-serialized instruction is held for execution until all prior instructions have completed. The instruction executes when it is next to complete in program order. Results from these instructions are not available for or forwarded to subsequent instructions until the instruction completes. The following instructions are completion-serialized:
 - Instructions that access or modify system control or status registers—`mcrxr`, `mtmsr`, `wrtee`, `wrteei`, `mtspr`, `mfspr` (except to CTR/LR)
 - Instructions that manage TLBs
 - Instructions defined by the architecture as context or execution synchronizing: `isync`, `msync`, `rfi`, `rfci`, `rfdi`, and `sc`
- Dispatch (decode/issue) serialization. Some instructions are dispatch-serialized by the core. An instruction that is dispatch-serialized prevents the next instruction from decoding until all instructions up to and including the dispatch-serialized instruction completes. The `isync`, `mbar`, `msync`, `rfi`, `rfci`, `rfdi`, and `sc` instructions are dispatch-serialized.

- Refetch serialization. Refetch-serialized instructions inhibit dispatching of subsequent instructions and force a pipeline refill to refetch subsequent instructions after completion. These include the following:
 - The context synchronizing instruction **isync**
 - The **rfi**, **rfdi**, and **sc** instructions.

6.6 Interrupt Recognition and Exception Processing

Figure 6-17 shows timing for interrupt recognition and exception processing overhead. This example shows best-case response timing when an interrupt is received and processed during execution of a sequence of single-cycle instructions.

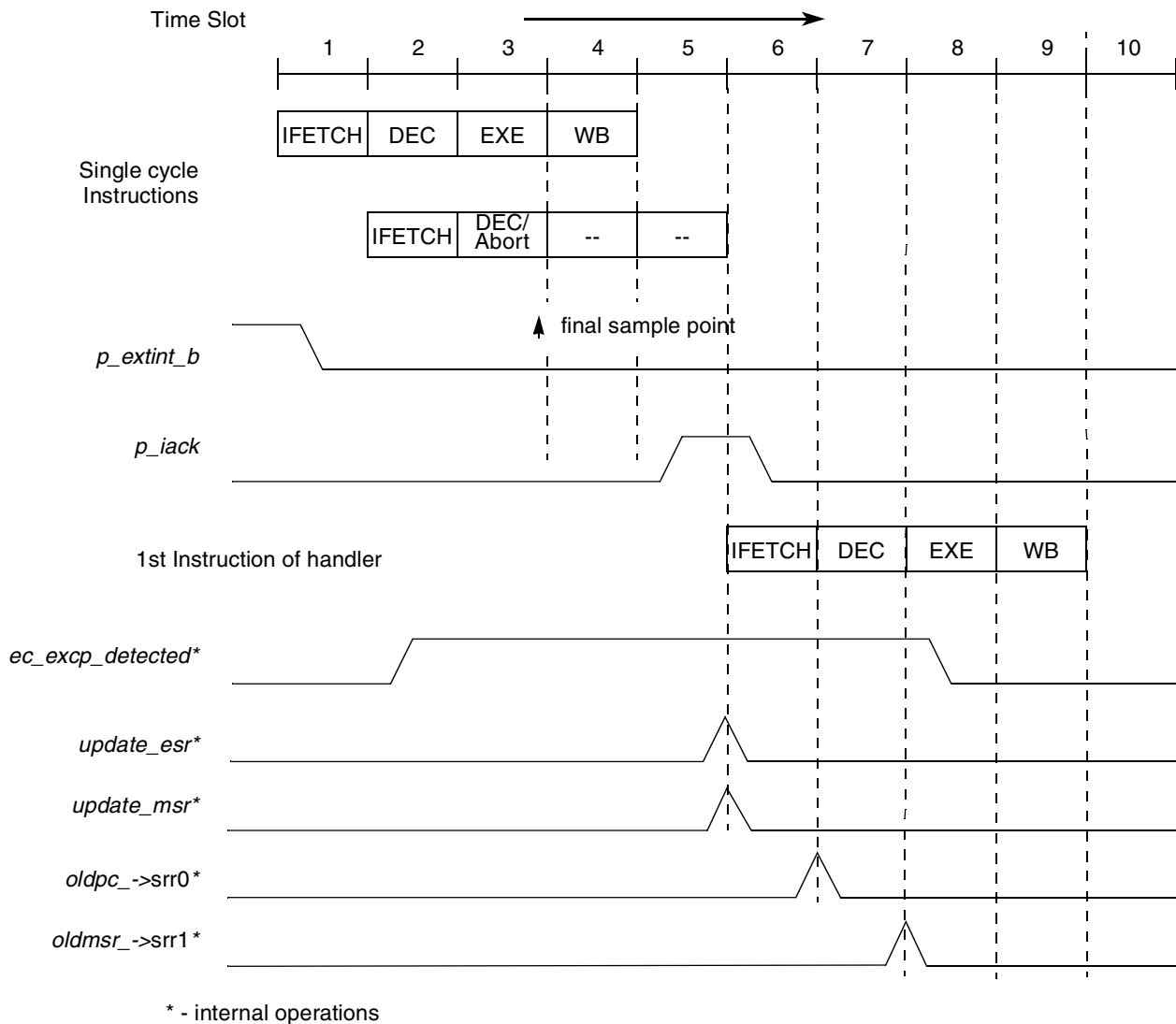


Figure 6-17. Interrupt Recognition and Handler Instruction Execution

Figure 6-18 shows timing for interrupt recognition and exception processing overhead. This example shows best-case response timing when an interrupt is received and processed during execution of a load or store instruction. The fetch for the handler is delayed until completion of the load or store, regardless of the number of wait-states.

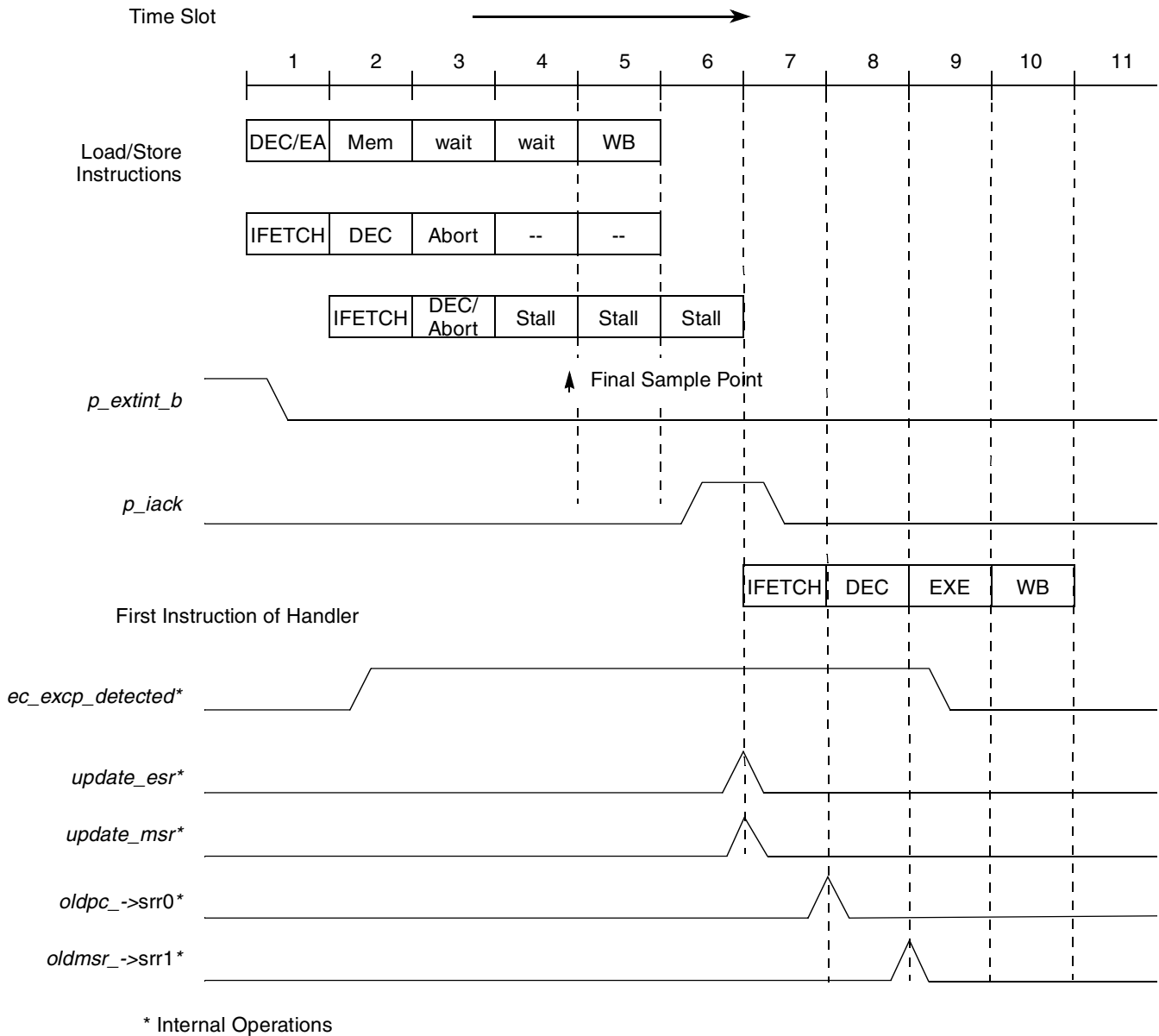


Figure 6-18. Interrupt Recognition and Handler Instruction Execution—Load/Store in Progress

Figure 6-19 shows timing for interrupt recognition and exception processing overhead. This example shows best-case response timing when an interrupt is received and processed during execution of a multicycle interruptible instruction.

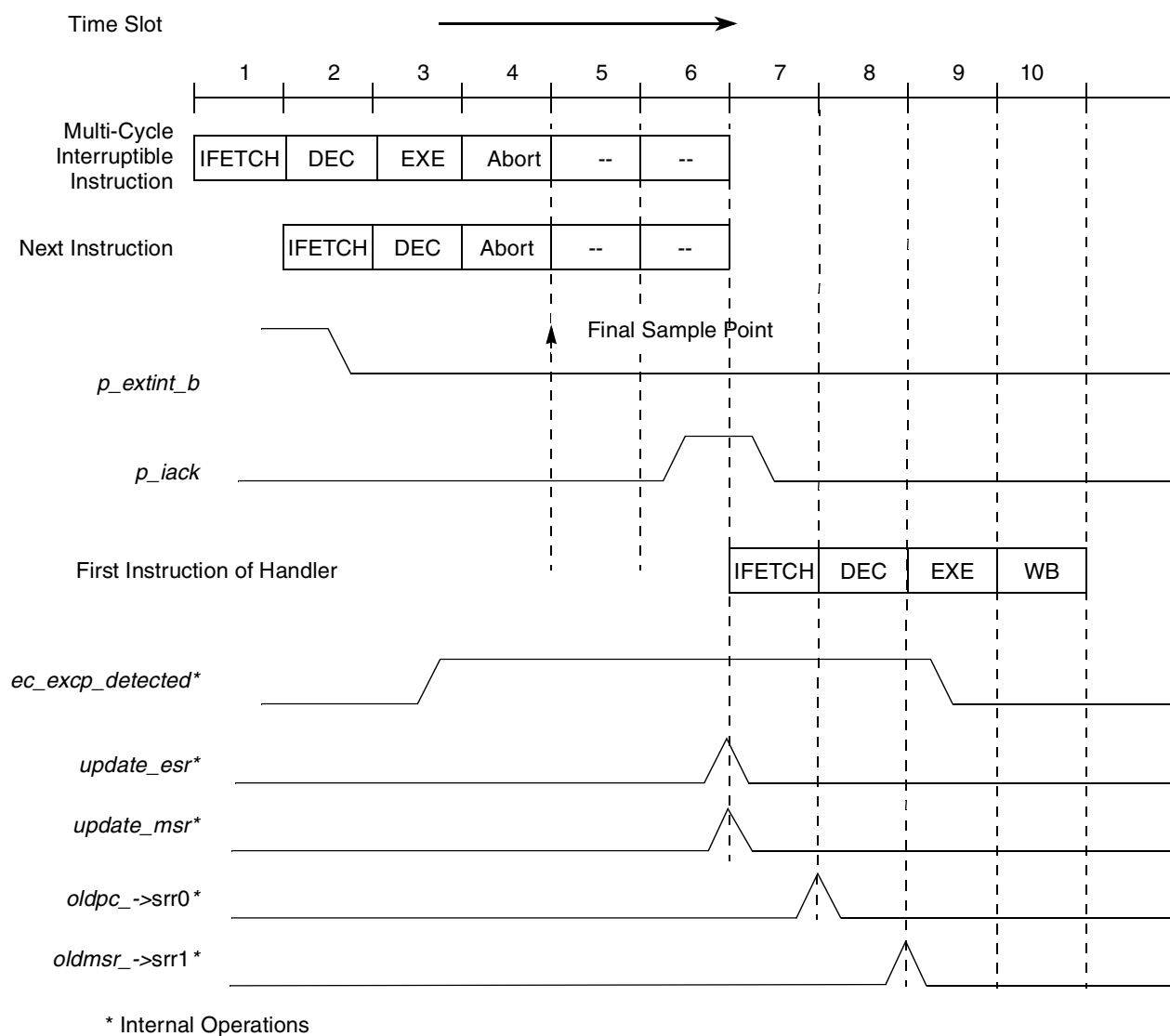


Figure 6-19. Interrupt Recognition and Handler Instruction Execution—Multi-Cycle Instruction Abort

6.7 Instruction Timings

Table 6-2 shows instruction timing for various instruction classes. Pipelined instructions are shown with cycles of total latency and throughput. Divide instructions are not pipelined and block other instructions from executing during divide execution.

Load/store multiple instruction cycles are represented as a fixed number of cycles plus a variable number of cycles where ‘n’ is the number of words accessed by the instruction. Additionally, cycle times marked with an ampersand (&) require additional cycles due to serialization.

Table 6-2. Instruction Class Cycle Counts

Class of Instructions	Latency	Throughput	Special Notes
Integer: add, sub, shift, rotate, logical, cntlzw	1	1	
Integer: compare	1	1	
Branch	2/1	2/1	Branches take between 1 and 2 cycles to execute.
Multiply	1	1	
Divide	6–16	6–16	Data dependent timing
CR logical	1	1	
Loads (non-multiple)	1	1	
Load multiple	1 + n/2 (max)	1 + n/2 (max)	Timing depends on n and address alignment.
Stores (non-multiple)	1	1	
Store multiple	1 + n/2 (max)	1 + n/2 (max)	Timing depends on n and address alignment.
mtmsr, wrtee, wrteei	2&	2	
mcrf	1	1	
mf spr, mt spr	2&	2&	Applies to debug SPRs, optional unit SPRs
mf spr, mfmsr	1	1	Applies to internal, non-debug SPRs
mfc r, mtc r	1	1	
r fi, r fci, r fdi	3	-	
sc	3	-	
tw, twi	3	-	Trap taken timing

Table 6-3 shows detailed timing for each instruction mnemonic along with serialization requirements. As this table shows, the VLE instructions have the same latencies and serialization as their equivalents in the PowerPC architecture. Those instructions are listed by their root mnemonic.

Table 6-3. Instruction Timing by Mnemonic

Mnemonic	Latency	Serialization	Comments
addc[o][.]	1	None	
adde[o][.]	1	None	
addi, e_addi[.], e_add16i, e_add2i., se_addi	1	None	
addic[.], e_addic[.]	1	None	
addis, e_add2is	1	None	
addme[o][.]	1	None	
addze[o][.]	1	None	
add[o][.], se_add	1	None	
andc[.], se_andc	1	None	

Table 6-3. Instruction Timing by Mnemonic (continued)

Mnemonic	Latency	Serialization	Comments
andi., e_andi[.], e_and2i., se_andi	1	None	
andis., e_and2is.	1	None	
and[.], se_and[.]	1	None	
bcctr[l]	2	None	
bclr[l]	2	None	
bc[l][a], e_bc, e_bcl, se_bc, se_bclri, se_bctr, se_bctrl	2/1	None	
b[l][a], e_b, e_bl, se_b, se_bl, se_blr, se_blrl, se_bgeni	2/1	None	
cmp, e_cmph, e_cmph16i, se_cmp	1	None	
cmpi, e_cmphl, e_cmphl16i, se_cmph, se_cmphl	1	None	
cmpl, e_cmpi, e_cmp16i, se_cmpi	1	None	
cmpli, e_cmpli, e_cmpl16i, se_cmpl, se_cmpli	1	None	
cntlzw[.]	1	None	
crand, e_crand	1	None	
crandc, e_crandc	1	None	
creqv, e_creqv	1	None	
crnand, e_crnand	1	None	
crnor, e_crnor	1	None	
cror, e_crор	1	None	
crorc, e_crorc	1	None	
crxor, e_crxor	1	None	
divwu[o][.]	6–16	None	
divw[o][.]	6–16	None	With early-out capability timing is data dependent
eqv[.]	1	None	
extsb[.], se_extsb	1	None	
extsh[.], se_extsh	1	None	
e_li, e_lis, se_li	1	None	The UISA defines li as a simplified, mnemonic for addi .
e_rlw, e_rlwi	1	None	
isel	1	None	
isync, se_isync	3	Refetch	Plus additional synchronization time
lbz, e_lbz, se_lbz	1	None	Aligned
lbzu, e_lbzu	1	None	Aligned

Table 6-3. Instruction Timing by Mnemonic (continued)

Mnemonic	Latency	Serialization	Comments
lbzux, e_lha	1	None	Aligned
lbzx, e_lhau	1	None	Aligned
lha, e_lhz	1	None	Aligned
lhau, e_lhzu	1	None	Aligned
lhaux	1	None	Aligned
lhax	1	None	Aligned
lhbrx	1	None	Aligned
lhz, se_lhz	1	None	Aligned
lhzu	1	None	Aligned
lhzux	1	None	Aligned
lhzx	1	None	Aligned
lmw, e_lmw	1 + (n/2)	None	
lwarx	1	None	
lwbrx	1	None	Aligned
lwz, e_lwz, se_lwz	1	None	Aligned
lwzu, e_lwzu	1	None	Aligned
lwzux	1	None	Aligned
lwzx	1	None	Aligned
mbar	1	Completion	Plus additional synchronization time
mcrf, e_mcrf	1	None	
mcrxr	1	Completion	
mfcr	1	None	
mfmsr	1	None	
mfspir (except, debug, MMU), se_mfctr, se_mflr	1	None	
mfspir, (debug, MMU)	3	Completion	Plus additional synchronization time
msync	1	Completion	Plus additional synchronization time
mtcrf	2	None	
mtmsr	2	Completion	Plus additional synchronization time
mtspr, (debug, MMU), se_mtctr, se_mtlr	2	Completion	Plus additional synchronization time
mtspr, (except, debug, MMU)	1	None	
mulhwu[.]	1	None	
mulhw[.]	1	None	
mulli, e_mulli, e_mull2i	1	None	

Table 6-3. Instruction Timing by Mnemonic (continued)

Mnemonic	Latency	Serialization	Comments
mullw[o][.], se_mullw	1	None	
nand[.]	1	None	
neg[o][.], se_neg	1	None	
nop, (ori, r0r00)	1	None	
nor[.], e_ori[.], e_or2i, e_or2is	1	None	
orc[.]	1	None	
ori	1	None	
oris	1	None	
or[.], se_or	1	None	
rfdi	3	Refetch	
rfdi	3	Refetch	
rfdi	3	Refetch	
rlwimi[.], e_rlwimi	1	None	
rlwinm[.], e_rlwinm	1	None	
rlwnm[.]	1	None	
sc	3	Refetch	
se_bmski	1	None	
se_bseti	1	None	
se_btsti	1	None	
se_extzb, se_extzh	1	None	
se_mfar	1	None	
se_mr	1	None	The UISA defines mr as a simplified, mnemonic for or .
se_mtar	1	None	
se_not	1	None	
slw[.], se_slw, e_slwi, se_slwi	1	None	
srawi[.], se_srawi	1	None	
sraw[.], se_sraw	1	None	
srw[.], se_srw, e_srwi, se_srwi	1	None	
stb, e_stb, se_stb	1	None	Aligned
stbu, e_stbu	1	None	Aligned
stbux	1	None	Aligned
stbx	1	None	Aligned

Table 6-3. Instruction Timing by Mnemonic (continued)

Mnemonic	Latency	Serialization	Comments
sth, sth, e_sth, se_sth, e_sthu	1	None	Aligned
sthbrx	1	None	Aligned
sthu	1	None	Aligned
sthux	1	None	Aligned
sthx	1	None	Aligned
stmw, e_stmw	1 + (n/2)	None	
stw, e_stw, se_stw	1	None	Aligned
stwbrx	1	None	Aligned
stwcx.	1	None	
stwu, e_stwu	1	None	Aligned
stwux	1	None	Aligned
stwx	1	None	Aligned
subfc[o][.]	1	None	
subfe[o][.]	1	None	
subfic, e_subfic[.], se_subi[.]	1	None	
subfme[o][.]	1	None	
subfze[o][.]	1	None	
subf[o][.], se_subf, se_sub	1	None	
tw	3	None	
twi	3	None	
wrtee	2	Completion	
wrteei	2	Completion	
xori, e_xori[.]	1	None	
xoris	1	None	
xor[.]	1	None	

6.7.1 SPE and Embedded Floating-Point Instruction Timing

The tables in this section show instruction timing for SPE and embedded floating-point APU instructions. Pipelined instructions are shown with cycles of total latency and throughput cycles. Divide instructions are not pipelined and block other instructions from executing during divide execution.

Instruction pipelining is affected by the possibility of a floating-point instruction generating an exception. A load or store class instruction that follows an SPE FPU instruction stalls until it can be ensured that no previous instruction can generate a floating-point exception. This determination is based on which floating-point exception enable bits are set (FINVE, FOVFE, FUNFE, FDBZE, and FINXE) and at what

point in the FPU pipeline an exception can be guaranteed to not occur. Invalid input operands are detected in the first stage of the pipeline, while underflow, overflow, and inexactness are determined later in the pipeline. Best overall performance occurs when either floating-point exceptions are disabled, or when load and store class instructions are scheduled such that previous floating-point instructions have already resolved the possibility of exceptional results.

6.7.1.1 SPE Integer Simple Instructions Timing

Instruction timing for SPE integer simple instructions is shown in [Table 6-4](#). The table is sorted by opcode. These instructions are issued as a pair of operations.

Table 6-4. Timing for Integer Simple Instructions

Instruction	Latency	Throughput	Comments
brinc	1	1	
evabs	1	1	
evaddiw	1	1	
evaddw	1	1	
evand	1	1	
evandc	1	1	
evcmpeq	1	1	
evcmpgts	1	1	
evcmpgtu	1	1	
evcmpltu	1	1	
evcmtlsw	1	1	
evcmtlzw	1	1	
eveqv	1	1	
evextsb	1	1	
evextsh	1	1	
evmergehi	1	1	
evmergehilo	1	1	
evmergelo	1	1	
evmergelohi	1	1	
evnand	1	1	
evneg	1	1	
evnor	1	1	
evor	1	1	
evorc	1	1	
evrlw	1	1	

Table 6-4. Timing for Integer Simple Instructions (continued)

Instruction	Latency	Throughput	Comments
evrwi	1	1	
evrndw	1	1	
evsel	1	1	
evslw	1	1	
evslwi	1	1	
evsplatfi	1	1	
evsplatfi	1	1	
evsrwis	1	1	
evsrwiu	1	1	
evsrws	1	1	
evsrwu	1	1	
evsubfw	1	1	
evsubifw	1	1	
evxor	1	1	

6.7.1.2 SPE Load and Store Instruction Timing

Instruction timing for SPE load and store instructions is shown in [Table 6-4](#). The table is sorted by opcode. Actual timing depends on alignment; the table indicates timing for aligned operands.

Table 6-5. SPE Load and Store Instruction Timing

Instruction	Latency	Throughput	Comments
evldd	1	1	
evlddx	1	1	
evldh	1	1	
evldhx	1	1	
evldw	1	1	
evldwx	1	1	
evlhhesplat	1	1	
evlhhesplatx	1	1	
evlhhosplat	1	1	
evlhhosplatx	1	1	
evlhhusplat	1	1	
evlhhusplatx	1	1	
evlwhe	1	1	

Table 6-5. SPE Load and Store Instruction Timing (continued)

Instruction	Latency	Throughput	Comments
evlwhex	1	1	
evlw hos	1	1	
evlw hosx	1	1	
evlw hou	1	1	
evlw hous	1	1	
evlw hsplat	1	1	
evlw hsplatx	1	1	
evlw wsplat	1	1	
evlw wsplatx	1	1	
evstd	1	1	
evstdx	1	1	
evstdh	1	1	
evstdhx	1	1	
evstdw	1	1	
evstdwx	1	1	
evstwhe	1	1	
evstw hex	1	1	
evstwho	1	1	
evstwhox	1	1	
evstwwe	1	1	
evstw wex	1	1	
evstwwo	1	1	
evstwwox	1	1	

6.7.1.3 SPE Complex Integer Instruction Timing

Timings for SPE complex integer instructions are shown in [Table 6-6](#). The table is sorted by opcode. For the divide instructions, the number of stall cycles is (latency) for following instructions.

Table 6-6. SPE Complex Integer Instruction Timing

Instruction	Latency	Throughput	Comments
evaddsmiaaw	1	1	
evaddssiaaw	1	1	
evaddumiaaw	1	1	
evaddusiaaw	1	1	

Table 6-6. SPE Complex Integer Instruction Timing (continued)

Instruction	Latency	Throughput	Comments
evdivws	12–32	12–32	Timings are data dependent
evdivwu	12–32	12–32	Timings are data dependent
evmhegsmfaa	1	1	
evmhegsmfan	1	1	
evmhegsmiaa	1	1	
evmhegsmian	1	1	
evmhegumiaa	1	1	
evmhegumian	1	1	
evmhesmf	1	1	
evmhesmfa	1	1	
evmhesmfaaw	1	1	
evmhesmfanw	1	1	
evmhesmi	1	1	
evmhesmia	1	1	
evmhesmiaaw	1	1	
evmhesmianw	1	1	
evmhessf	1	1	
evmhessfa	1	1	
evmhessfaaw	1	1	
evmhessfanw	1	1	
evmhessiaaw	1	1	
evmhessianw	1	1	
evmheumi	1	1	
evmheumia	1	1	
evmheumiaaw	1	1	
evmheumianw	1	1	
evmheusiaaw	1	1	
evmheusianw	1	1	
evmhogsmfaa	1	1	
evmhogsmfan	1	1	
evmhogsmiaa	1	1	
evmhogsmian	1	1	
evmhogumiaa	1	1	

Table 6-6. SPE Complex Integer Instruction Timing (continued)

Instruction	Latency	Throughput	Comments
evmhogumian	1	1	
evmhosmf	1	1	
evmhosmfa	1	1	
evmhosmfaaw	1	1	
evmhosmfanw	1	1	
evmhosmi	1	1	
evmhosmia	1	1	
evmhosmiaaw	1	1	
evmhosmianw	1	1	
evmhossf	1	1	
evmhossfa	1	1	
evmhossfaaw	1	1	
evmhossfanw	1	1	
evmhossiaaw	1	1	
evmhossianw	1	1	
evmhoumi	1	1	
evmhoumia	1	1	
evmhoumiaaw	1	1	
evmhoumianw	1	1	
evmhousiaaw	1	1	
evmhousianw	1	1	
evmra	1	1	
evmwhsmf	1	1	
evmwhsmfa	1	1	
evmwhsmi	1	1	
evmwhsmia	1	1	
evmwhssf	1	1	
evmwhssfa	1	1	
evmwhumi	1	1	
evmwhumia	1	1	
evmwlsmiaaw	1	1	
evmwlsmianw	1	1	
evmwlssiaaw	1	1	

Table 6-6. SPE Complex Integer Instruction Timing (continued)

Instruction	Latency	Throughput	Comments
evmw1ssianw	1	1	
evmw1umi	1	1	
evmw1umia	1	1	
evmw1umiaaw	1	1	
evmw1umianw	1	1	
evmw1usiaaw	1	1	
evmw1usianw	1	1	
evmwsmf	1	1	
evmwsmfa	1	1	
evmwsmfaa	1	1	
evmwsmfan	1	1	
evmwsmi	1	1	
evmwsmia	1	1	
evmwsmiaa	1	1	
evmwsmian	1	1	
evmwssf	1	1	
evmwssfafa	1	1	
evmwssfafa	1	1	
evmwssfafa	1	1	
evmwumia	1	1	
evmwumiaa	1	1	
evmwumian	1	1	
evsubfsmiaaw	1	1	
evsubfssiaaw	1	1	
evsubfumiaaw	1	1	
evsubfusiaaw	1	1	

6.7.1.4 Vector Floating-Point APU Instruction Timing

Timings for embedded vector single-precision floating-point instructions are shown in [Table 6-4](#). The number of stall cycles for **evfsdiv** is (latency) cycles.

Table 6-7. SPE Vector Floating-Point Instruction Timing

Instruction	Latency	Throughput	Comments
evfsabs	1	1	
evfsadd	1	1	
evfscfsf	1	1	
evfscfsi	1	1	
evfscfuf	1	1	
evfscfui	1	1	
evfscmpeq	1	1	
evfscmpgt	1	1	
evfscmplt	1	1	
evfsctsf	1	1	
evfsctsi	1	1	
evfsctsiz	1	1	
evfsctuf	1	1	
evfsctui	1	1	
evfsctuiz	1	1	
evfsdiv	12	12	Blocking, no overlap with next instruction
evfsmadd	1	1	Destination also used as source
evfsmsub	1	1	Destination also used as source
evfsmul	1	1	
evfsnabs	1	1	
evfsneg	1	1	
evfsnmadd	1	1	Destination also used as source
evfsnmsub	1	1	Destination also used as source
evfssub	1	1	
evfststeq	1	1	
evfststgt	1	1	
evfststlt	1	1	

6.7.1.5 SPE Scalar Floating-Point Instruction Timing

Timings for embedded scalar single-precision floating-point APU instructions are shown in [Table 6-8](#). The table is sorted by opcode.

Table 6-8. Scalar SPE Floating-Point Instruction Timing

Instruction	Latency	Throughput	Comments
efsabs	1	1	
efsadd	1	1	
efscfsf	1	1	
efscfsi	1	1	
efscfuf	1	1	
efscfui	1	1	
efscmpeq	1	1	
efscmpgt	1	1	
efscmplt	1	1	
efscstf	1	1	
efscstsi	1	1	
efscstsiz	1	1	
efscstuf	1	1	
efscstui	1	1	
efscstuiz	1	1	
efsdiv	12	12	Blocking, no execution overlap with next instruction
efsdiv	12	12	Blocking, no execution overlap with next instruction
efsmadd	1	1	Destination also used as source
efsmsub	1	1	Destination also used as source
efsmul	1	1	
efsnabs	1	1	
efsneg	1	1	
efsnmadd	1	1	Destination also used as source
efsnmsub	1	1	Destination also used as source
efssub	1	1	
efststeq	1	1	
efststgt	1	1	
efststlt	1	1	

6.8 Operand Placement on Performance

The placement (location and alignment) of operands in memory affects relative performance of memory accesses, and in some cases, affects it significantly. [Table 6-9](#) indicates the effects for the e200z3 core.

In Table 6-9, ‘optimal’ means that one EA calculation occurs during the operation; ‘good’ means that multiple EA calculations occur during the memory operation, which may cause additional bus activities with multiple bus transfers; ‘poor’ means that the access generates an alignment interrupt.

Table 6-9. Performance Effects of Storage Operand Placement

Operand		Boundary Crossing*		
Size	Byte Alignment	None	Cache Line	Protection Boundary
4 byte	4 <4	optimal good	-- good	-- good
2 byte	2 <2	optimal good	-- good	-- good
1 byte	1	optimal	--	--
lmw, stmw	4 <4	good poor	good poor	good poor
String	N/A			

Note:

Optimal: One EA calculation occurs.

Good: Multiple EA calculations occur, which may cause additional bus activities with multiple bus transfers.

Poor: Alignment Interrupt occurs.

Chapter 7

External Core Complex Interfaces

This chapter describes the external interfaces of the e200z3 core complex. Signal descriptions as well as data transfer protocols are documented in the following subsections.

[Section 7.4, “Internal Signals,”](#) describes a number of internal signals that are not directly accessible to users, but they are mentioned in various chapters in this manual and aid in understanding the behavior of the core.

7.1 Overview

The external interfaces encompass the following:

- Control and data signals supporting instruction and data transfers
- Support for interrupts, including vectored interrupt logic
- Reset support
- Power management interface signals
- Debug event signals
- Time base control and status information
- Processor state information
- Nexus 1/3/OnCE/JTAG interface signals
- A test interface

The memory interface that the BIU supports is based on the AMBA AHB-Lite subset of the AMBA 2.0 AHB, with V6 AMBA extensions. (Ref. documents ARM IHI 0011A, ARM DVI 0044A, and ARM PR022-GENC-001011 0.4). Sideband signals, described in this chapter, support additional control functions. A 64-bit data bus is implemented. The pipelined memory interface supports read and write transfers of 8, 16, 24, 32, and 64 bits, misaligned transfers, burst transfers of four double words, and true big- and little-endian operation.

NOTE

The AMBA AHB bit and byte ordering reflect a natural little-endian ordering that AMBA documentation uses. The BIU automatically performs byte lane conversions to support big-endian transfers. Memories and peripheral devices/interfaces should be wired according to byte lane addresses defined in [Table 7-6](#).

Single-beat and misaligned transfers are supported for cache-inhibited read and write cycles, and write-buffer writes. Burst transfers (double-word–aligned) of 4 double words are supported for cache line-fill and copyback operations.

Misaligned accesses are supported with one or more transfers to the core interface. If an access is misaligned but lies within an aligned 64-bit double word, the core performs a single transfer. The memory interface delivers (reads) or accepts (writes) the data that corresponds to the size- and byte-enable signals aligned according to the 3 low-order address bits. If an access is misaligned and crosses a 64-bit boundary, the BIU performs a pair of transfers beginning at the effective address, requesting the original data size (either half word or word) for the first transfer, along with appropriate byte enables. For the second transfer, the address is incremented to the next 64-bit boundary, and the size and byte enable signals are driven to correspond to the number of remaining bytes to be transferred.

7.2 Signal Index

This section contains an index of the core signals.

The following prefixes are used for signal mnemonics:

- '*m_*' denotes master clock and reset signals.
- '*p_*' denotes processor or core-related signals.
- '*j_*' denotes JTAG mode signals.
- '*jd_*' denotes JTAG and debug mode signals.
- '*ipt_*' denotes scan and test mode signals.
- '*nex_*' denotes Nexus3 signals.

NOTE

The “*_b*” suffix denotes an active low signal. Signals without the active-low suffix are active high.

Figure 7-1 groups core bus and control signals by function.

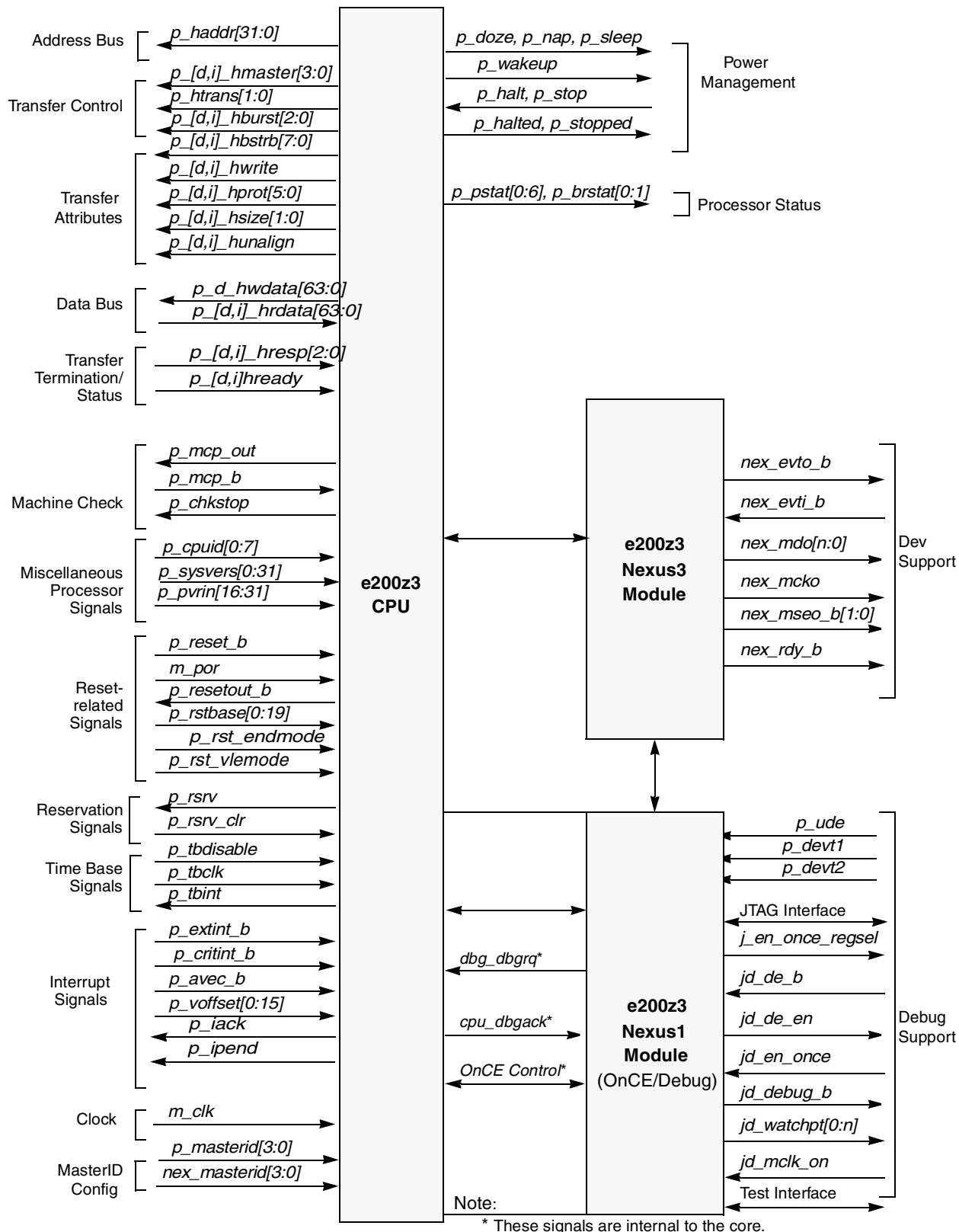


Figure 7-1. Core Signal Groups

Table 7-1 shows core signal function and type, signal definition, and reset value. Signals are presented in functional groups.

Table 7-1. Interface Signal Definitions

Signal Name	I/O	Reset	Definition
Clock and Signals Related to Reset			
<i>m_clk</i>	I		Global system clock
<i>m_por</i>	I		Power-on reset
<i>p_reset_b</i>	I		Processor reset input
<i>p_resetout_b</i>	O		Processor reset output
<i>p_rstbase[0:19]</i>	I		Reset exception handler base address, value to be loaded into TLB entry 0 on reset.
<i>p_rst_endmode</i>	I		Reset endian mode select, value to be loaded into TLB entry 0 on reset.
<i>p_rst_vlmode</i>	I		Reset VLE mode select, value to be loaded into TLB entry 0 on reset.
Memory Interface Signals			
<i>p_i_hmaster[3:0], p_d_hmaster[3:0]</i>	O	—	Master ID
<i>p_i_haddr[31:0], p_d_haddr[31:0]</i>	O	—	Address bus
<i>p_i_hwrite, p_d_hwrite</i>	O	0	Write signal (always driven low for <i>p_i_hwrite</i>)
<i>p_i_hprot[5:0], p_d_hprot[5:0]</i>	O	—	Protection codes
<i>p_i_htrans[1:0], p_d_htrans[1:0]</i>	O	—	Transfer type
<i>p_i_hburst[2:0], p_d_hburst[2:0]</i>	O	—	Burst type
<i>p_i_hsize[1:0], p_d_hsize[1:0]</i>	O	—	Transfer size
<i>p_i_hunalign, p_d_hunalign</i>	O	—	Indicates that the current data access is misaligned
<i>p_i_hbstrb[7:0], p_d_hbstrb[7:0]</i>	O	0	Byte strobes
<i>p_i_hrdata[63:0], p_d_hrdata[63:0]</i>	I		Read data bus
<i>p_d_hwdata[63:0]</i>	O	—	Write data bus
<i>p_i_hready, p_d_hready</i>	I		Transfer ready
<i>p_i_hresp[2:0], p_d_hresp[2:0]</i>	I		Transfer response
Master ID Configuration Signals			

Table 7-1. Interface Signal Definitions (continued)

Signal Name	I/O	Reset	Definition
<i>p_masterid[3:0]</i>	I	—	CPU master ID configuration
<i>nex_masterid[3:0]</i>	I	—	Nexus3 master ID configuration
Interrupt Interface Signals			
<i>p_extint_b</i>	I		External input interrupt request
<i>p_critint_b</i>	I		Critical input interrupt request
<i>p_avec_b</i>	I		Autovector request. Use internal interrupt vector offset.
<i>p_voffset[0:15]</i>	I		Interrupt vector offset for vectored interrupts
<i>p_iack</i>	O	0	Interrupt acknowledge. Indicates an interrupt is being acknowledged.
<i>p_ipend</i>	O	0	Interrupt pending. Indicates an interrupt is pending internally.
<i>p_mcp_b</i>	I		Machine check input request
Time Base Signals			
<i>p_tshint</i>	O	0	Time base interrupt
<i>p_tbdisable</i>	I	—	Time base disable input
<i>p_tbclk</i>	I	—	Time base clock input
Misc. CPU Signals			
<i>p_cpuid[0:7]</i>	I		CPU ID input
<i>p_sysvers[0:31]</i>	I		System version inputs (for SVR)
<i>p_pvrin[16:31]</i>	I		Inputs for PVR
<i>p_pid0[0:7]</i>	O	0	PID0[24:31] outputs
<i>p_pid0_updt</i>	O	0	PID0 update status
CPU Reservation Signals			
<i>p_rsrv</i>	O	0	Reservation status
<i>p_rsrv_clr</i>	I		Clear reservation flag
CPU State Signals			
<i>p_pstat[0:6]</i>	O	0	Processor status
<i>p_brstat[0:1]</i>	O	0	Branch prediction status
<i>p_mcp_out</i>	O	0	Machine check occurred
<i>p_chkstop</i>	O	0	Checkstop occurred
<i>p_doze</i>	O	0	Low-power doze mode of operation
<i>p_nap</i>	O	0	Low-power nap mode of operation
<i>p_sleep</i>	O	0	Low-power sleep mode of operation
<i>p_wakeup</i>	O	0	Indicates to external clock control module to enable clocks and exit from low-power mode

Table 7-1. Interface Signal Definitions (continued)

Signal Name	I/O	Reset	Definition
<i>p_halt</i>	I		CPU halt request
<i>p_halted</i>	O	0	CPU halted
<i>p_stop</i>	I		CPU stop request
<i>p_stopped</i>	O	0	CPU stopped
CPU Debug Event Signals			
<i>p_ude</i>	I		Unconditional debug event
<i>p_devt1</i>	I		Debug event 1 input
<i>p_devt2</i>	I		Debug event 2 input
Debug/Emulation Support Signals (Nexus 1/OnCE)			
<i>jd_en_once</i>	I		Enable full OnCE operation
<i>jd_debug_b</i>	O	1	Processor entered debug session
<i>jd_de_b</i>	I		Debug request
<i>jd_de_en</i>	O	0	Active-high output enable for DE_b open-drain IO cell
<i>jd_mclk_on</i>	I		System clock controller actively toggling <i>m_clk</i>
<i>jd_watchpt[0:7]</i>	O	0	Address watchpoint occurred
Development Support Signals (Nexus 3)			
<i>nex_mcko</i>	O		Nexus3 clock output
<i>nex_rdy_b</i>	O		Nexus3 ready output
<i>nex_evto_b</i>	O		Nexus3 event-out output
<i>nex_evî_b</i>	I		Nexus3 event-in input
<i>nex_mdo[n:0]</i>	O		Nexus3 message data output
<i>nex_mseo_b[1:0]</i>	O		Nexus3 message start/end output
JTAG-Related Signals			
<i>j_trst_b</i>	I		JTAG test reset from pad
<i>j_tclk</i>	I		JTAG test clock from pad
<i>j_tms</i>	I		JTAG test mode select from pad
<i>j_tdi</i>	I		JTAG test data input from pad
<i>j_tdo</i>	O	0	JTAG test data out to master controller or pad
<i>j_tdo_en</i>	O	0	Enables TDO output buffer
<i>j_tst_log_rst</i>	O	0	Test-logic-reset state of JTAG controller
<i>j_capture_ir</i>	O	0	Capture_IR state of JTAG controller
<i>j_update_ir</i>	O	0	Update_IR state of JTAG controller

Table 7-1. Interface Signal Definitions (continued)

Signal Name	I/O	Reset	Definition
<i>j_shift_ir</i>	O	0	Shift_IR state of JTAG controller
<i>j_capture_dr</i>	O	0	Parallel test data register load state of JTAG controller
<i>j_shift_dr</i>	O	0	TAP controller in shift DR state
<i>j_update_gp_reg</i>	O	0	Updates JTAG controller test data register
<i>j_rti</i>	O	0	JTAG controller run-test-idle state
<i>j_key_in</i>	I		Input for providing data to be shifted out during shift_IR state when <i>jd_en_once</i> is negated
<i>j_en_once_regssel</i>	O	0	External enable OnCE register select
<i>j_nexus_regssel</i>	O	0	External Nexus register select
<i>j_lsrl_regssel</i>	O	0	External LSRL register select
<i>j_gp_regssel[0:11]</i>	O	0	General-purpose external JTAG register select
<i>j_id_sequence[0:1]</i>	I		JTAG ID register (2 msbs of sequence field)
<i>j_id_version[0:3]</i>	I		JTAG ID register version field
<i>j_serial_data</i>	I		Serial data from external JTAG registers

7.3 Signal Descriptions

Table 7-2 describes the processor clock, *m_clk*.

Table 7-2. Processor Clock Signal Description

Signal	I/O	Signal Description
<i>m_clk</i>	I	Processor clock. The synchronous clock source for the core. Because the core is designed for static operation, <i>m_clk</i> can be gated off to lower power dissipation (for example, during low-power stopped states).

Table 7-3 describes signals that are related to reset. The core supports several reset input signals for the CPU and JTAG/OnCE control logic: *m_por*, *p_reset_b*, and *j_trst_b*. The reset domains are partitioned such that the CPU *p_reset_b* signal does not affect JTAG/OnCE logic and *j_trst_b* does not affect processor logic. It is possible and desirable to access OnCE registers while the processor is running or in reset. It is also possible and desirable to assert *j_trst_b* and clear the JTAG/OnCE logic without affecting the processor state.

The synchronization logic between the processor and debug module requires an assertion of either *j_trst_b* or *m_por* during initial processor power-on reset to ensure proper operation. If the pin associated with *j_trst_b* is designed with a pull-up resistor and left floating, assertion of *m_por* is required during the initial power-on processor reset. Similarly, for those systems that do not have a power-on reset circuit and choose to tie *m_por* low, it is required to assert *j_trst_b* during processor power-up reset. When a power-up reset is achieved, the two resets can be asserted independently.

A reset output signal, *p_resetout_b*, is also provided.

A set of input signals ($p_rstbase[0:19]$, $p_rst_endmode$) is provided to relocate the reset exception handler to allow for flexible placement of boot code and to select the default endian mode and VLE mode of the core out of reset.

Table 7-3. Descriptions of Signals Related to Reset

Signal	I/O	Signal Description
m_por	I	Power-on reset. Serves the following purposes: <ul style="list-style-type: none"> m_por is ORed with j_trst_b and the resulting signal clears the JTAG TAP controller and associated registers as well as the OnCE state machine. This signal is an asynchronous clear with a short assertion time requirement. m_por is ORed with the p_reset_b function, and the resulting signal clears certain CPU registers. This is an asynchronous clear with a short assertion time requirement. Reset values for other registers are listed in Section 2.18.4, “Reset Settings.”
		State Meaning Asserted—Power-on reset is requested. Negated—Power-on reset is not requested.
p_reset_b	I	Reset. Treated as an asynchronous input and is sampled by the clock control logic in the debug module.
		State Meaning Asserted—Reset is requested. Negated—Reset is not requested.
$p_resetout_b$	O	Reset out. Conditionally asserted by either the watchdog timer (Section 2.11.1, “Timer Control Register (TCR)”) or debug control logic. $p_resetout_b$ is not asserted by p_reset_b .
$p_rstbase[0:19]$	I	Reset base. Allows system integrators to specify or relocate the base address of the reset exception handler.
		State Meaning Forms the upper 20 bits of the instruction access following negation of reset, which is used to fetch the initial instruction of the reset exception handler. These bits should be driven to a value corresponding to the desired boot memory device in the system. These inputs are also used by the MMU during reset to form a default TLB entry 0 for translation of the reset vector fetch. The initial instruction fetch occurs to the location $[p_rstbase[0:19]] \parallel 0xFFFC$.
		Timing Must remain stable in a window beginning 2 clocks before the negation of reset and extending into the cycle in which the reset vector fetch is initiated.
$p_rst_endmode$	I	Reset endian mode. Used by the MMU during reset to form the E bit of the default TLB entry 0 for translation of the reset vector fetch.
		State Meaning High—Causes the resultant entry E bit to be set, indicating a little-endian page. Low—causes the resultant entry E bit to be cleared, indicating a big-endian page.
$p_rst_vlemode$	I	Used by the MMU during reset to form the VLE bit of the default TLB entry 0 for translation of the reset vector fetch.
		State Meaning A low logic level causes the resultant entry VLE bit to be cleared, indicating a Book E page. A high logic level causes the resultant entry VLE bit to be set, indicating a VLE page.
j_trst_b	I	JTAG/OnCE reset (IEEE 1149.1 JTAG specification \overline{TRST}).
		State Meaning Asynchronous reset with a short assertion time requirement. It is ORed with the m_por function, and the resulting signal clears the OnCE TAP controller and associated registers and the OnCE state machine.

[Table 7-4](#) describes signals for the address and data buses. These outputs provide the address for a bus transfer. According to the AHB definition, $p_haddr31$ is the msb and p_haddr0 is the lsb.

Table 7-4. Descriptions of Signals for the Address and Data Buses

Signal	I/O	Signal Description
$p_d,i_haddr[31:0]$	O	Address bus. Provides the address for a bus transfer. According to the AHB definition, $p_d,i_haddr[31]$ is the msb and $p_d,i_haddr[0]$ is the lsb.
$p_d,i_hrdata[63:0]$	I	Read data bus. Provides data to the core on read transfers. The read data bus can transfer 8, 16, 24, 32, or 64 bits per transfer. According to the AHB definition, $p_d,i_hrdata63$ is the msb and $p_d,i_hrdata0$ is the lsb. Memory Byte AddressWired to p_d,i_hrdata Bits 0007:0 00115:8 01023:16 01131:24 10039:32 10147:40 11055:48 11163:56
$p_d_hwdata[63:0]$	O	Write data bus. Transfers data from the core on write transfers. The write data bus can transfer 8, 16, 24, 32, or 64 bits of data per bus transfer. According to the AHB definition, $p_d_hwdata[63]$ is the msb and $p_d_hwdata[0]$ is the lsb. Memory Byte AddressWired to p_d_hwdata Bits 0007:0 00115:8 01023:16 01131:24 10039:32 10147:40 11055:48 11163:56

Table 7-5 describes transfer attribute signals, which provide additional information about the bus transfer cycle. Attributes are driven with the address at the start of a transfer.

Table 7-5. Descriptions of Transfer Attribute Signals

Signal	I/O	Signal Description						
$p_d,i_htrans[1:0]$	O	Transfer type. The processor drives $p_d,i_htrans[1:0]$ to indicate the current transfer type as follows: 00 IDLE—No data transfer is required. Slaves must terminate IDLE transfers with a zero wait-state OKAY response and ignore the (non-existent) transfer. 01 BUSY—(The core does not use the BUSY encoding and does not present this type of transfer to a bus slave.) Master is busy; burst transfer continues. 10 NONSEQ—Indicates the first transfer of a burst, or a single transfer. Address and control signals are unrelated to the previous transfer. 11 SEQ—Indicates the continuation of a burst. Address and control signals are related to the previous transfer. Control signals are the same. Address was incremented by the size of the data transferred (optionally wrapped). If the $p_d,i_htrans[1:0]$ encoding is not IDLE or BUSY, a transfer is being requested.						
p_d,i_hwrite	O	Write. Defines the data transfer direction for the current bus cycle.						
		<table border="1"> <thead> <tr> <th>State Meaning</th> <th>Description</th> </tr> </thead> <tbody> <tr> <td>Asserted</td> <td>The current bus cycle is a write.</td> </tr> <tr> <td>Negated</td> <td>The current bus cycle is a read.</td> </tr> </tbody> </table>	State Meaning	Description	Asserted	The current bus cycle is a write.	Negated	The current bus cycle is a read.
State Meaning	Description							
Asserted	The current bus cycle is a write.							
Negated	The current bus cycle is a read.							

Table 7-5. Descriptions of Transfer Attribute Signals (continued)

Signal	I/O	Signal Description																																																																																																																																																															
$p_{[d,i]}hsiz[1:0]$	O	Transfer size. For misaligned transfers, size may exceed the requested size to ensure that all asserted byte strobes are within the container defined by $p_{[d,i]}hsiz[1:0]$. Table 7-7 and Table 7-8 show $p_{[d,i]}hsiz$ encodings for aligned and misaligned transfers. 00 Byte 01 Half word (2 bytes) 10 Word (4 bytes) 11 Double word (8 bytes)																																																																																																																																																															
$p_{[d,i]}hburst[2:0]$	O	Burst type. The core uses only SINGLE and WRAP4 burst types. 000 SINGLE—No burst, single beat only 001 INCR—Incrementing burst of unspecified length. Not used by the core.																																																																																																																																																															
$p_{[d,i]}hprot[5:0]$	O	Protection control. The core drives the $p_{[d,i]}hprot[5:0]$ signals to indicate the type of access for the current bus cycle. $p_{[d,i]}hprot[0]$ indicates instruction/data, $p_{[d,i]}hprot[1]$ indicates user/supervisor. $p_{[d,i]}hprot[5]$ indicates whether the access is exclusive (that is, for an lwarx or stwcx). $p_{[d,i]}hprot[4:2]$ (allocate, cacheable, bufferable) indicate particular cache attributes for the access. The following table shows the definitions of the $p_{[d,i]}hprot[5:0]$ signals. <table border="1"> <thead> <tr> <th>p_{hprot5}</th> <th>p_{hprot4}</th> <th>p_{hprot3}</th> <th>p_{hprot2}</th> <th>p_{hprot1}</th> <th>p_{hprot0}</th> <th>Transfer Type</th> </tr> </thead> <tbody> <tr><td>—</td><td>—</td><td>—</td><td>—</td><td>—</td><td>0</td><td>Instruction access</td></tr> <tr><td>—</td><td>—</td><td>—</td><td>—</td><td>—</td><td>1</td><td>Data access</td></tr> <tr><td>—</td><td>—</td><td>—</td><td>—</td><td>0</td><td>—</td><td>User mode access</td></tr> <tr><td>—</td><td>—</td><td>—</td><td>—</td><td>1</td><td>—</td><td>Supervisor mode access</td></tr> <tr><td>—</td><td>0</td><td>0</td><td>0</td><td>—</td><td>—</td><td>Cache-inhibited</td></tr> <tr><td>—</td><td>0</td><td>0</td><td>1</td><td>—</td><td>—</td><td>Guarded, not cache-inhibited</td></tr> <tr><td>—</td><td>0</td><td>1</td><td>0</td><td>—</td><td>—</td><td>Reserved</td></tr> <tr><td>—</td><td>0</td><td>1</td><td>1</td><td>—</td><td>—</td><td>Reserved</td></tr> <tr><td>—</td><td>1</td><td>0</td><td>0</td><td>—</td><td>—</td><td>Reserved</td></tr> <tr><td>—</td><td>1</td><td>0</td><td>1</td><td>—</td><td>—</td><td>Reserved</td></tr> <tr><td>—</td><td>1</td><td>1</td><td>0</td><td>—</td><td>—</td><td>Cacheable, writethrough</td></tr> <tr><td>—</td><td>1</td><td>1</td><td>1</td><td>—</td><td>—</td><td>Cacheable, writeback</td></tr> <tr><td>0</td><td>—</td><td>—</td><td>—</td><td>—</td><td>—</td><td>Not exclusive</td></tr> <tr><td>1</td><td>—</td><td>—</td><td>—</td><td>—</td><td>—</td><td>Exclusive access</td></tr> </tbody> </table> <p>The core maps Book E storage attributes to the AHB hprot signals as described in the following. For buffered stores, $p_{[d,i]}hprot[1]$ is driven with the user/supervisor mode attribute associated with the store at the time it was buffered. For cache line pushes/copybacks, $p_{[d,i]}hprot[1]$ indicates supervisor access. In both of these cases, $p_{[d,i]}hprot[0]$ indicates a data access.</p> <table border="1"> <thead> <tr> <th>TLB[I]</th> <th>TLB[G]</th> <th>TLB[W]</th> <th>L1CSR0[CWM]</th> <th>$p_{hprot[4:2]}$</th> <th>Transfer Type</th> </tr> </thead> <tbody> <tr><td>0</td><td>0</td><td>—</td><td>0</td><td>111</td><td>Cacheable, writeback</td></tr> <tr><td>0</td><td>0</td><td>—</td><td>1</td><td>110</td><td>Cacheable, writethrough</td></tr> <tr><td>0</td><td>1</td><td>—</td><td>—</td><td>001</td><td>Guarded, not cache-inhibited</td></tr> <tr><td>1</td><td>—</td><td>—</td><td>—</td><td>000</td><td>Cache-inhibited</td></tr> <tr><td>—</td><td>—</td><td>—</td><td>—</td><td>001</td><td>Buffered store, page marked guarded</td></tr> <tr><td>—</td><td>—</td><td>—</td><td>—</td><td>110</td><td>Buffered store and page marked writethrough or L1CSR0[CWM]=0, and non-guarded</td></tr> <tr><td>—</td><td>—</td><td>—</td><td>—</td><td>111</td><td>Buffered store and page marked copyback and L1CSR0[CWM]=1, and non-guarded</td></tr> <tr><td>—</td><td>—</td><td>—</td><td>—</td><td>111</td><td>Dirty line push</td></tr> </tbody> </table>	p_{hprot5}	p_{hprot4}	p_{hprot3}	p_{hprot2}	p_{hprot1}	p_{hprot0}	Transfer Type	—	—	—	—	—	0	Instruction access	—	—	—	—	—	1	Data access	—	—	—	—	0	—	User mode access	—	—	—	—	1	—	Supervisor mode access	—	0	0	0	—	—	Cache-inhibited	—	0	0	1	—	—	Guarded, not cache-inhibited	—	0	1	0	—	—	Reserved	—	0	1	1	—	—	Reserved	—	1	0	0	—	—	Reserved	—	1	0	1	—	—	Reserved	—	1	1	0	—	—	Cacheable, writethrough	—	1	1	1	—	—	Cacheable, writeback	0	—	—	—	—	—	Not exclusive	1	—	—	—	—	—	Exclusive access	TLB[I]	TLB[G]	TLB[W]	L1CSR0[CWM]	$p_{hprot[4:2]}$	Transfer Type	0	0	—	0	111	Cacheable, writeback	0	0	—	1	110	Cacheable, writethrough	0	1	—	—	001	Guarded, not cache-inhibited	1	—	—	—	000	Cache-inhibited	—	—	—	—	001	Buffered store, page marked guarded	—	—	—	—	110	Buffered store and page marked writethrough or L1CSR0[CWM]=0, and non-guarded	—	—	—	—	111	Buffered store and page marked copyback and L1CSR0[CWM]=1, and non-guarded	—	—	—	—	111	Dirty line push
p_{hprot5}	p_{hprot4}	p_{hprot3}	p_{hprot2}	p_{hprot1}	p_{hprot0}	Transfer Type																																																																																																																																																											
—	—	—	—	—	0	Instruction access																																																																																																																																																											
—	—	—	—	—	1	Data access																																																																																																																																																											
—	—	—	—	0	—	User mode access																																																																																																																																																											
—	—	—	—	1	—	Supervisor mode access																																																																																																																																																											
—	0	0	0	—	—	Cache-inhibited																																																																																																																																																											
—	0	0	1	—	—	Guarded, not cache-inhibited																																																																																																																																																											
—	0	1	0	—	—	Reserved																																																																																																																																																											
—	0	1	1	—	—	Reserved																																																																																																																																																											
—	1	0	0	—	—	Reserved																																																																																																																																																											
—	1	0	1	—	—	Reserved																																																																																																																																																											
—	1	1	0	—	—	Cacheable, writethrough																																																																																																																																																											
—	1	1	1	—	—	Cacheable, writeback																																																																																																																																																											
0	—	—	—	—	—	Not exclusive																																																																																																																																																											
1	—	—	—	—	—	Exclusive access																																																																																																																																																											
TLB[I]	TLB[G]	TLB[W]	L1CSR0[CWM]	$p_{hprot[4:2]}$	Transfer Type																																																																																																																																																												
0	0	—	0	111	Cacheable, writeback																																																																																																																																																												
0	0	—	1	110	Cacheable, writethrough																																																																																																																																																												
0	1	—	—	001	Guarded, not cache-inhibited																																																																																																																																																												
1	—	—	—	000	Cache-inhibited																																																																																																																																																												
—	—	—	—	001	Buffered store, page marked guarded																																																																																																																																																												
—	—	—	—	110	Buffered store and page marked writethrough or L1CSR0[CWM]=0, and non-guarded																																																																																																																																																												
—	—	—	—	111	Buffered store and page marked copyback and L1CSR0[CWM]=1, and non-guarded																																																																																																																																																												
—	—	—	—	111	Dirty line push																																																																																																																																																												

Table 7-6 describes signals for byte lane specification. Read transactions transfer from 1–8 bytes of data on the $p_{[d,i]}hrdata[63:0]$ bus. The lanes involved in the transfer are determined by the starting byte number specified by the lower address bits with the transfer size and byte strobes. Byte lane addressing is shown big-endian (left to right) regardless of the core’s endian mode. The byte in memory corresponding

to address 0 is connected to B0 ($p_h\{r,w\}data[7:0]$) and the byte corresponding to address 7 is connected to B7 ($p_h\{r,w\}data[63:56]$). The CPU internally permutes read data as required for the endian mode of the current access. Assertion of $p_d,i_hunalign$ indicates misaligned transfers and that byte strobes do not correspond exactly to size and low-order address bits.

Table 7-6. Descriptions of Signals for Byte Lane Specification

Signal	I/O	Signal Description																											
$p_d,i_hunalign$	O	Unaligned access. Indicates whether the current access is misaligned.																											
		State Meaning Asserted—Asserted for misaligned data accesses and for misaligned instruction accesses from VLE pages. Normal Book E instruction pages are always aligned. When $p_d,i_hunalign$ is asserted, the $p_d,i_hbstrb[7:0]$ byte strobe signals indicate the selected bytes involved in the current portion of the misaligned access, which may not include all bytes defined by the size and low-order address signals. Aligned transfers also assert the byte strobes, but in a manner corresponding to size and low-order address bits. Negated—No misaligned data access is occurring.																											
		Timing The timing of this signal is approximately the same as address timing.																											
$p_d,i_hbstrb[7:0]$	O	Byte strobes. Indicate the bytes selected for the current transfer. For a misaligned access, the current transfer may not include all bytes defined by the size and low-order address signals. For aligned transfers, the byte strobe signals correspond to the bytes that size and low-order address signals define. The relationships of byte addresses to the byte strobe signals are as follows.																											
		<table border="0"> <thead> <tr> <th><u>Memory byte address</u></th> <th><u>Wired to p_h{r,w}data bits</u></th> <th><u>Corresponding byte strobe signal</u></th> </tr> </thead> <tbody> <tr> <td>000</td> <td>7:0</td> <td>$p_d,i_hbstrb[0]$</td> </tr> <tr> <td>001</td> <td>15:8</td> <td>$p_d,i_hbstrb[1]$</td> </tr> <tr> <td>010</td> <td>23:16</td> <td>$p_d,i_hbstrb[2]$</td> </tr> <tr> <td>011</td> <td>31:24</td> <td>$p_d,i_hbstrb[3]$</td> </tr> <tr> <td>100</td> <td>39:32</td> <td>$p_d,i_hbstrb[4]$</td> </tr> <tr> <td>101</td> <td>47:40</td> <td>$p_d,i_hbstrb[5]$</td> </tr> <tr> <td>110</td> <td>55:48</td> <td>$p_d,i_hbstrb[6]$</td> </tr> <tr> <td>111</td> <td>63:56</td> <td>$p_d,i_hbstrb[7]$</td> </tr> </tbody> </table>	<u>Memory byte address</u>	<u>Wired to p_h{r,w}data bits</u>	<u>Corresponding byte strobe signal</u>	000	7:0	$p_d,i_hbstrb[0]$	001	15:8	$p_d,i_hbstrb[1]$	010	23:16	$p_d,i_hbstrb[2]$	011	31:24	$p_d,i_hbstrb[3]$	100	39:32	$p_d,i_hbstrb[4]$	101	47:40	$p_d,i_hbstrb[5]$	110	55:48	$p_d,i_hbstrb[6]$	111	63:56	$p_d,i_hbstrb[7]$
		<u>Memory byte address</u>	<u>Wired to p_h{r,w}data bits</u>	<u>Corresponding byte strobe signal</u>																									
		000	7:0	$p_d,i_hbstrb[0]$																									
		001	15:8	$p_d,i_hbstrb[1]$																									
		010	23:16	$p_d,i_hbstrb[2]$																									
		011	31:24	$p_d,i_hbstrb[3]$																									
		100	39:32	$p_d,i_hbstrb[4]$																									
101	47:40	$p_d,i_hbstrb[5]$																											
110	55:48	$p_d,i_hbstrb[6]$																											
111	63:56	$p_d,i_hbstrb[7]$																											

Table 7-7 lists all data transfer permutations. Note that misaligned data requests that cross a 64-bit boundary are broken into two bus transactions, and the address value and size encoding for the first transfer are not modified. The table is arranged in a big-endian fashion, but the active lanes are the same regardless of the endian-mode of the access. The core performs the proper byte routing internally based on endianness.

Table 7-7. Byte Strobe Assertion for Transfers

Program Size and Byte Offset	A(2:0)	HSIZE [1:0]	Data Bus Byte Strobes ¹								HUNALIGN
			B0	B1	B2	B3	B4	B5	B6	B7	
Byte @000	0 0 0	0 0	X	—	—	—	—	—	—	—	0
Byte @001	0 0 1	0 0	—	X	—	—	—	—	—	—	0
Byte @010	0 1 0	0 0	—	—	X	—	—	—	—	—	0
Byte @011	0 1 1	0 0	—	—	—	X	—	—	—	—	0
Byte @100	1 0 0	0 0	—	—	—	—	X	—	—	—	0

Table 7-7. Byte Strobe Assertion for Transfers (continued)

Program Size and Byte Offset	A(2:0)	HSIZE [1:0]	Data Bus Byte Strobes ¹								HUNALIGN
			B0	B1	B2	B3	B4	B5	B6	B7	
Byte @101	1 0 1	0 0	—	—	—	—	—	X	—	—	0
Byte @110	1 1 0	0 0	—	—	—	—	—	—	X	—	0
Byte @111	1 1 1	0 0	—	—	—	—	—	—	—	X	0
Half @000	0 0 0	0 1	X	X	—	—	—	—	—	—	0
Half @001	0 0 1	1 0 ²	—	X	X	—	—	—	—	—	1
Half @010	0 1 0	0 1	—	—	X	X	—	—	—	—	0
Half @011	0 1 1	1 1 ²	—	—	—	X	X	—	—	—	1
Half @100	1 0 0	0 1	—	—	—	—	X	X	—	—	0
Half @101	1 0 1	1 0 ²	—	—	—	—	—	X	X	—	1
Half @110	1 1 0	0 1	—	—	—	—	—	—	X	X	0
Half @111 (Two bus transfers)	1 1 1	0 1 ³	—	—	—	—	—	—	—	X	1
	0 0 0	0 0	X	—	—	—	—	—	—	—	0
Word @000	0 0 0	1 0	X	X	X	X	—	—	—	—	0
Word @001	0 0 1	1 1 ²	—	X	X	X	X	—	—	—	1
Word @010	0 1 0	1 1 ²	—	—	X	X	X	X	—	—	1
Word @011	0 1 1	1 1 ²	—	—	—	X	X	X	X	—	1
Word @100	1 0 0	1 0	—	—	—	—	X	X	X	X	0
Word @101 (Two bus transfers)	1 0 1	1 0	—	—	—	—	—	X	X	X	1
	0 0 0	0 0	X	—	—	—	—	—	—	—	0
Word @110 (Two bus transfers)	1 1 0	1 0 ³	—	—	—	—	—	—	X	X	1
	0 0 0	0 1	X	X	—	—	—	—	—	—	0
Word @111 (Two bus transfers)	1 1 1	1 0 ³	—	—	—	—	—	—	—	X	1
	0 0 0	1 0	X	X	X	—	—	—	—	—	1
Double word	0 0 0	1 1	X	X	X	X	X	X	X	X	0

¹ X indicates byte lanes involved in the transfer. Other lanes contain driven but unused data.
² These misaligned transfers drive size according to the size of the power of two aligned containers in which the byte strobes are asserted.
³ These misaligned cases drive request size according to the size specified by the load or store instruction.

Table 7-8 shows the final layout in memory for data transferred from a 64-bit GPR containing the bytes ‘A B C D E F G H’ to memory. The core breaks misaligned accesses that cross a double-word boundary into a pair of accesses. Double-word transfers are always double-word-aligned.

Table 7-8. Big-and Little-Endian Storage (64-Bit GPR Contains 'A B C D E F G H')

Program Size and Byte Offset	A(3:0)	HSIZE (1:0)	Even Double Word— 0								Odd Double Word—1							
			B0	B1	B2	B3	B4	B5	B6	B7	B0	B1	B2	B3	B4	B5	B6	B7
Byte @0000	0 0 0 0	0 0	H	—	—	—	—	—	—	—	—	—	—	—	—	—	—	—
Byte @0001	0 0 0 1	0 0	—	H	—	—	—	—	—	—	—	—	—	—	—	—	—	—
Byte @0010	0 0 1 0	0 0	—	—	H	—	—	—	—	—	—	—	—	—	—	—	—	—
Byte @0011	0 0 1 1	0 0	—	—	—	H	—	—	—	—	—	—	—	—	—	—	—	—
Byte @0100	0 1 0 0	0 0	—	—	—	—	H	—	—	—	—	—	—	—	—	—	—	—
Byte @0101	0 1 0 1	0 0	—	—	—	—	—	H	—	—	—	—	—	—	—	—	—	—
Byte @0110	0 1 1 0	0 0	—	—	—	—	—	—	H	—	—	—	—	—	—	—	—	—
Byte @0111	0 1 1 1	0 0	—	—	—	—	—	—	—	H	—	—	—	—	—	—	—	—
Byte @1000	1 0 0 0	0 0	—	—	—	—	—	—	—	—	H	—	—	—	—	—	—	—
Byte @1001	1 0 0 1	0 0	—	—	—	—	—	—	—	—	—	H	—	—	—	—	—	—
Byte @1010	1 0 1 0	0 0	—	—	—	—	—	—	—	—	—	—	H	—	—	—	—	—
Byte @1011	1 0 1 1	0 0	—	—	—	—	—	—	—	—	—	—	—	H	—	—	—	—
Byte @1100	1 1 0 0	0 0	—	—	—	—	—	—	—	—	—	—	—	H	—	—	—	—
Byte @1101	1 1 0 1	0 0	—	—	—	—	—	—	—	—	—	—	—	—	H	—	—	—
Byte @1110	1 1 1 0	0 0	—	—	—	—	—	—	—	—	—	—	—	—	—	H	—	—
Byte @1111	1 1 1 1	0 0	—	—	—	—	—	—	—	—	—	—	—	—	—	—	H	—
B. E. Half @0000	0 0 0 0	0 1	G	H	—	—	—	—	—	—	—	—	—	—	—	—	—	—
B. E. Half @0001	0 0 0 1	1 0 ¹	—	G	H	—	—	—	—	—	—	—	—	—	—	—	—	—
B. E. Half @0010	0 0 1 0	0 1	—	—	G	H	—	—	—	—	—	—	—	—	—	—	—	—
B. E. Half @0011	0 0 1 1	1 1 ¹	—	—	—	G	H	—	—	—	—	—	—	—	—	—	—	—
B. E. Half @0100	0 1 0 0	0 1	—	—	—	—	G	H	—	—	—	—	—	—	—	—	—	—
B. E. Half @0101	0 1 0 1	1 0 ¹	—	—	—	—	—	G	H	—	—	—	—	—	—	—	—	—
B. E. Half @0110	0 1 1 0	0 1	—	—	—	—	—	—	G	H	—	—	—	—	—	—	—	—
B. E. Half @0111	0 1 1 1	0 1	—	—	—	—	—	—	—	G	—	—	—	—	—	—	—	—
	1 0 0 0	0 0	—	—	—	—	—	—	—	—	H	—	—	—	—	—	—	—
B. E. Half @1000	1 0 0 0	0 1	—	—	—	—	—	—	—	—	G	H	—	—	—	—	—	—
B. E. Half @1001	1 0 0 1	1 0 ¹	—	—	—	—	—	—	—	—	—	G	H	—	—	—	—	—
B. E. Half @1010	1 0 1 0	0 1	—	—	—	—	—	—	—	—	—	G	H	—	—	—	—	—
B. E. Half @1011	1 0 1 1	1 1 ¹	—	—	—	—	—	—	—	—	—	—	G	H	—	—	—	—
B. E. Half @1100	1 1 0 0	0 1	—	—	—	—	—	—	—	—	—	—	G	H	—	—	—	—
B. E. Half @1101	1 1 0 1	1 0 ¹	—	—	—	—	—	—	—	—	—	—	—	G	H	—	—	—

Table 7-8. Big-and Little-Endian Storage (64-Bit GPR Contains 'A B C D E F G H') (continued)

Program Size and Byte Offset	A(3:0)	HSIZE (1:0)	Even Double Word—0								Odd Double Word—1							
			B0	B1	B2	B3	B4	B5	B6	B7	B0	B1	B2	B3	B4	B5	B6	B7
B. E. Half @1110	1 1 1 0	0 1	—	—	—	—	—	—	—	—	—	—	—	—	—	—	G	H
B. E. Half @1111	1 1 1 1	0 1	—	—	—	—	—	—	—	—	—	—	—	—	—	—	—	G
	0 0 0 0 (next dword)	0 0	H	—	—	—	—	—	—	—	—	—	—	—	—	—	—	—
L. E. Half @0000	0 0 0 0	0 1	H	G	—	—	—	—	—	—	—	—	—	—	—	—	—	—
L. E. Half @0001	0 0 0 1	1 0 ¹	—	H	G	—	—	—	—	—	—	—	—	—	—	—	—	—
L. E. Half @0010	0 0 1 0	0 1	—	—	H	G	—	—	—	—	—	—	—	—	—	—	—	—
L. E. Half @0011	0 0 1 1	1 1 ¹	—	—	—	H	G	—	—	—	—	—	—	—	—	—	—	—
L. E. Half @0100	0 1 0 0	0 1	—	—	—	—	H	G	—	—	—	—	—	—	—	—	—	—
L. E. Half @0101	0 1 0 1	1 0 ¹	—	—	—	—	—	H	G	—	—	—	—	—	—	—	—	—
L. E. Half @0110	0 1 1 0	0 1	—	—	—	—	—	—	H	G	—	—	—	—	—	—	—	—
L. E. Half @0111	0 1 1 1	0 1	—	—	—	—	—	—	—	H	—	—	—	—	—	—	—	—
	1 0 0 0	0 0	—	—	—	—	—	—	—	—	G	—	—	—	—	—	—	—
L. E. Half @1000	1 0 0 0	0 1	—	—	—	—	—	—	—	—	H	G	—	—	—	—	—	
L. E. Half @1001	1 0 0 1	1 0 ¹	—	—	—	—	—	—	—	—	—	H	G	—	—	—	—	
L. E. Half @1010	1 0 1 0	0 1	—	—	—	—	—	—	—	—	—	—	H	G	—	—	—	
L. E. Half @1011	1 0 1 1	1 1 ¹	—	—	—	—	—	—	—	—	—	—	—	H	G	—	—	
L. E. Half @1100	1 1 0 0	0 1	—	—	—	—	—	—	—	—	—	—	—	—	H	G	—	
L. E. Half @1101	1 1 0 1	1 0 ¹	—	—	—	—	—	—	—	—	—	—	—	—	—	H	G	
L. E. Half @1110	1 1 1 0	0 1	—	—	—	—	—	—	—	—	—	—	—	—	—	—	H	G
L. E. Half @1111	1 1 1 1	0 1	—	—	—	—	—	—	—	—	—	—	—	—	—	—	—	H
	+ 0 0 0 0 (next dword)	0 0	G	—	—	—	—	—	—	—	—	—	—	—	—	—	—	—
B. E. Word @0000	0 0 0 0	1 0	E	F	G	H	—	—	—	—	—	—	—	—	—	—	—	—
B. E. Word @0001	0 0 0 1	1 1 ¹	—	E	F	G	H	—	—	—	—	—	—	—	—	—	—	—
B. E. Word @0010	0 0 1 0	1 1 ¹	—	—	E	F	G	H	—	—	—	—	—	—	—	—	—	—
B. E. Word @0011	0 0 1 1	1 1 ¹	—	—	—	E	F	G	H	—	—	—	—	—	—	—	—	—
B. E. Word @0100	0 1 0 0	1 0	—	—	—	—	E	F	G	H	—	—	—	—	—	—	—	—
B. E. Word @0101	0 1 0 1	1 0	—	—	—	—	—	E	F	G	—	—	—	—	—	—	—	—
	1 0 0 0	0 0	—	—	—	—	—	—	—	—	H	—	—	—	—	—	—	—
B. E. Word @0110	0 1 1 0	1 0	—	—	—	—	—	—	E	F	—	—	—	—	—	—	—	—
	1 0 0 0	0 1	—	—	—	—	—	—	—	—	G	H	—	—	—	—	—	—

Table 7-8. Big-and Little-Endian Storage (64-Bit GPR Contains 'A B C D E F G H') (continued)

Program Size and Byte Offset	A(3:0)	HSIZE (1:0)	Even Double Word—0								Odd Double Word—1							
			B0	B1	B2	B3	B4	B5	B6	B7	B0	B1	B2	B3	B4	B5	B6	B7
B. E. Word @0111	0 1 1 1	1 0	—	—	—	—	—	—	—	E	—	—	—	—	—	—	—	—
	1 0 0 0	1 0	—	—	—	—	—	—	—	—	F	G	H	—	—	—	—	—
B. E. Word @1000	1 0 0 0	1 0	—	—	—	—	—	—	—	—	E	F	G	H	—	—	—	—
B. E. Word @1001	1 0 0 1	1 1 ¹	—	—	—	—	—	—	—	—	—	E	F	G	H	—	—	—
B. E. Word @1010	1 0 1 0	1 1 ¹	—	—	—	—	—	—	—	—	—	—	E	F	G	H	—	—
B. E. Word @1011	1 0 1 1	1 1 ¹	—	—	—	—	—	—	—	—	—	—	—	E	F	G	H	—
B. E. Word @1100	1 1 0 0	1 0	—	—	—	—	—	—	—	—	—	—	—	—	E	F	G	H
B. E. Word @1101	1 1 0 1	1 0	—	—	—	—	—	—	—	—	—	—	—	—	—	E	F	G
	+ 0 0 0 0 (next dword)	0 0	H	—	—	—	—	—	—	—	—	—	—	—	—	—	—	—
B. E. Word @1110	1 1 1 0	1 0	—	—	—	—	—	—	—	—	—	—	—	—	—	—	E	F
	+ 0 0 0 0 (next dword)	0 1	G	H	—	—	—	—	—	—	—	—	—	—	—	—	—	—
B. E. Word @1111	1 1 1 1	1 0	—	—	—	—	—	—	—	—	—	—	—	—	—	—	—	E
	+ 0 0 0 0 (next dword)	1 0	F	G	H	—	—	—	—	—	—	—	—	—	—	—	—	—
L. E. Word @0000	0 0 0 0	1 0	H	G	F	E	—	—	—	—	—	—	—	—	—	—	—	—
L. E. Word @0001	0 0 0 1	1 1 ¹	—	H	G	F	E	—	—	—	—	—	—	—	—	—	—	—
L. E. Word @0010	0 0 1 0	1 1 ¹	—	—	H	G	F	E	—	—	—	—	—	—	—	—	—	—
L. E. Word @0011	0 0 1 1	1 1 ¹	—	—	—	H	G	F	E	—	—	—	—	—	—	—	—	—
L. E. Word @0100	0 1 0 0	1 0	—	—	—	—	H	G	F	E	—	—	—	—	—	—	—	—
L. E. Word @0101	0 1 0 1	1 0	—	—	—	—	—	H	G	F	—	—	—	—	—	—	—	—
	1 0 0 0	0 0	—	—	—	—	—	—	—	—	E	—	—	—	—	—	—	—
L. E. Word @0110	0 1 1 0	1 0	—	—	—	—	—	—	H	G	—	—	—	—	—	—	—	—
	1 0 0 0	0 1	—	—	—	—	—	—	—	—	F	E	—	—	—	—	—	—
L. E. Word @0111	0 1 1 1	1 0	—	—	—	—	—	—	—	H	—	—	—	—	—	—	—	—
	1 0 0 0	1 0	—	—	—	—	—	—	—	—	G	F	E	—	—	—	—	—
L. E. Word @1000	1 0 0 0	1 0	—	—	—	—	—	—	—	H	G	F	E	—	—	—	—	
L. E. Word @1001	1 0 0 1	1 1 ¹	—	—	—	—	—	—	—	—	—	H	G	F	E	—	—	—
L. E. Word @1010	1 0 1 0	1 1 ¹	—	—	—	—	—	—	—	—	—	—	H	G	F	E	—	—
L. E. Word @1011	1 0 1 1	1 1 ¹	—	—	—	—	—	—	—	—	—	—	—	H	G	F	E	—
L. E. Word @1100	1 1 0 0	1 0	—	—	—	—	—	—	—	—	—	—	—	—	H	G	F	E

Table 7-8. Big-and Little-Endian Storage (64-Bit GPR Contains ‘A B C D E F G H’) (continued)

Program Size and Byte Offset	A(3:0)	HSIZE (1:0)	Even Double Word— 0								Odd Double Word—1							
			B0	B1	B2	B3	B4	B5	B6	B7	B0	B1	B2	B3	B4	B5	B6	B7
L. E. Word @1101	1 1 0 1	1 0	—	—	—	—	—	—	—	—	—	—	—	—	—	H	G	F
	+ 0 0 0 0 (next dword)	0 0	E	—	—	—	—	—	—	—	—	—	—	—	—	—	—	—
L. E. Word @1110	1 1 1 0	1 0	—	—	—	—	—	—	—	—	—	—	—	—	—	—	H	G
	+ 0 0 0 0 (next dword)	0 1	F	E	—	—	—	—	—	—	—	—	—	—	—	—	—	—
L. E. Word @1111	1 1 1 1	1 0	—	—	—	—	—	—	—	—	—	—	—	—	—	—	—	H
	+ 0 0 0 0 (next dword)	1 0	G	F	E	—	—	—	—	—	—	—	—	—	—	—	—	—
B.E. Double word	- 0 0 0	1 1	A	B	C	D	E	F	G	H	—	—	—	—	—	—	—	—
L.E. Double word	- 0 0 0	1 1	H	G	F	E	D	C	B	A	—	—	—	—	—	—	—	—

¹ These misaligned transfers drive size according to the size of the power of two aligned containers in which the byte strobes are asserted.

Table 7-9 describes the transfer control signals.

Table 7-9. Descriptions of Signals for Transfer Control Signals

Signal	I/O	Signal Description		
<i>p_[d,i]_hready</i>	I	Transfer ready. Indicates whether a requested transfer operation has completed. An external device asserts <i>p_[d,i]_hready</i> to terminate the transfer. <i>p_hresp[2:0]</i> indicate the transfer status.		
		<table border="0"> <tr> <td style="vertical-align: top;">State Meaning</td> <td>Asserted—A requested transfer operation has completed. An external device asserts <i>p_[d,i]_hready</i> to terminate the transfer.</td> </tr> <tr> <td></td> <td>Negated—A requested transfer operation has not completed.</td> </tr> </table>	State Meaning	Asserted—A requested transfer operation has completed. An external device asserts <i>p_[d,i]_hready</i> to terminate the transfer.
State Meaning	Asserted—A requested transfer operation has completed. An external device asserts <i>p_[d,i]_hready</i> to terminate the transfer.			
	Negated—A requested transfer operation has not completed.			
<i>p_hresp[2:0]</i>	I	Transfer response. Indicate status of a terminating transfer. 000 OKAY—Transfer terminated normally. 001 ERROR—Transfer terminated abnormally. See note for assertion. 010 Reserved (RETRY not supported in AHB-Lite protocol) 011 Reserved (SPLIT not supported in AHB-Lite protocol) 100 XFAIL—Exclusive store failed (stwcx. did not complete successfully). See note for assertion. (Signaled to the CPU using the <i>p_xfail_b</i> internal signal. See Table 7-26.) 101–111 Reserved		
		<table border="0"> <tr> <td style="vertical-align: top;">Timing</td> <td>Assertion—ERROR and XFAIL are required to be 2-cycle responses that must be signaled one cycle before assertion of <i>p_[d,i]_hready</i> and must remain unchanged during the cycle <i>p_[d,i]_hready</i> is asserted. The XFAIL response is signaled to the CPU using the <i>p_xfail_b</i> internal signal.</td> </tr> </table>	Timing	Assertion—ERROR and XFAIL are required to be 2-cycle responses that must be signaled one cycle before assertion of <i>p_[d,i]_hready</i> and must remain unchanged during the cycle <i>p_[d,i]_hready</i> is asserted. The XFAIL response is signaled to the CPU using the <i>p_xfail_b</i> internal signal.
Timing	Assertion—ERROR and XFAIL are required to be 2-cycle responses that must be signaled one cycle before assertion of <i>p_[d,i]_hready</i> and must remain unchanged during the cycle <i>p_[d,i]_hready</i> is asserted. The XFAIL response is signaled to the CPU using the <i>p_xfail_b</i> internal signal.			

Table 7-10 describes the master ID configuration signals. These inputs drive the $p_{[d,i]}_hmaster[3:0]$ outputs when a bus cycle is active.

Table 7-10. Descriptions of Master ID Configuration Signals

Signal	I/O	Signal Description
$p_masterid[3:0]$	I	CPU master. Configures the master ID for the CPU. Driven on $p_{[d,i]}_hmaster[3:0]$ for a CPU-initiated bus cycle.
$nex_masterid[3:0]$	I	Nexus3 master. Configure the master ID for the Nexus3 unit. Driven on $p_{[d,i]}_hmaster[3:0]$ for a Nexus3-initiated bus cycle.

Table 7-11 describes interrupt control signals. Interrupt request inputs (p_extint_b , $p_critint_b$, and p_mcp_b) to the core are level-sensitive. The interrupt controller must keep the interrupt request and any $p_voffset$ or p_avec_b inputs (as appropriate) asserted until the interrupt is serviced to guarantee that the core recognizes the request. On the other hand, when a request is generated, the core may still not recognize the interrupt request, even if it is removed later. Requests must be held stable to avoid spurious responses.

Table 7-11. Descriptions of Interrupt Signals

Signal	I/O	Signal Description
p_extint_b	I	External input interrupt request. Provides the external input interrupt request to the core. p_extint_b is masked by MSR[EE].
		State Meaning Asserted—An external input interrupt request has been signaled. Negated—An external input interrupt request has not been signaled.
		Timing Not internally synchronized by the core. It must meet setup and hold time constraints relative to m_clk when the core clock is running. Assertion—Level-sensitive, must remain asserted to be guaranteed recognition.
$p_critint_b$	I	Critical input interrupt request. Critical input interrupt request to the core. Masked by MSR[CE].
		State Meaning Asserted—Critical input interrupt is being requested. Negated—No critical input interrupt is requested.
		Timing Not internally synchronized by the core. Must meet setup and hold times relative to m_clk when the core clock is running. See Section 7.5.6, “Interrupt Interface.” Assertion—Level-sensitive, must remain asserted to be guaranteed to be recognized.
p_ipend	I	Interrupt pending. Indicates whether a p_extint_b or $p_critint_b$ interrupt request or an enabled timer facility interrupt was recognized internally by the core, is enabled by the appropriate MSR bit, and is asserted in response to the interrupt request inputs. p_ipend can signal other bus masters or a bus arbiter that an interrupt is pending. External power management logic can use p_ipend to control operation of the core and other logic or may use p_wake similarly. Higher priority exceptions may delay handling of the interrupt.
		State Meaning Asserted—A p_extint_b or $p_critint_b$ interrupt request or an enabled timer facility interrupt (watchdog, fixed-Interval, or decremter) was recognized internally by the core. Assertion of p_ipend does not mean that exception processing for the interrupt has begun. Negated—A p_extint_b or $p_critint_b$ interrupt request or an enabled timer facility interrupt has not been recognized.

Table 7-11. Descriptions of Interrupt Signals (continued)

Signal	I/O	Signal Description
<i>p_avec_b</i>	I	Autovector. Determines how a vector is chosen for critical and external interrupt signals.
		State Meaning Asserted—Asserted with either the <i>p_extint_b</i> or <i>p_critint_b</i> interrupt request to request use of the IVOR4 or IVOR0 for obtaining an exception vector offset. Negated—If negated when a <i>p_extint_b</i> or <i>p_critint_b</i> interrupt is requested, an external vector offset and context selector is taken from <i>p_voffset[0:15]</i> .
		Timing Must be driven to a valid state during each clock cycle that either <i>p_extint_b</i> or <i>p_critint_b</i> is asserted. Assertion—Level-sensitive, must remain asserted to have guaranteed recognition.
<i>p_voffset[0:15]</i>]	I	Interrupt vector offset. Vector offset and context selector used when processing begins for an incoming interrupt request. Ignored if multiple hardware contexts are not implemented.
		State Meaning Correspond to IVOR <i>n</i> [16–31]. <i>p_voffset[0:11]</i> are used in forming the exception handler address; <i>p_voffset[12:15]</i> are used to select a new operating context when multiple hardware contexts are implemented.
		Timing Sampled with the <i>p_extint_b</i> and <i>p_critint_b</i> interrupt request inputs; must be driven to a valid value when either signal is asserted unless <i>p_avec_b</i> is also asserted. If <i>p_avec_b</i> is asserted, these inputs are not used. Assertion—Level-sensitive; must remain asserted to guarantee correct recognition. Must be asserted concurrently with <i>p_extint_b</i> and <i>p_critint_b</i> when used.
<i>p_iack</i>	O	Interrupt vector acknowledge. Interrupt vector acknowledge indicator to allow external interrupt controllers to be informed when a critical input or external input interrupt is being processed.
		State Meaning Asserted—An interrupt vector is being acknowledged. Negated—An interrupt vector is not being acknowledged.
		Timing Assertion—Asserted after the cycle in which <i>p_avec_b</i> and <i>p_voffset[0:15]</i> are sampled in preparation for exception processing. See Figure 7-32 and Figure 7-33 for timing diagrams.
<i>p_mcp_b</i>	I	Machine check. Machine check interrupt request to the core. Masked by HID0[EMCP].
		State Meaning Asserted—A machine check interrupt is being requested. Negated—A machine check interrupt is not being requested.
		Timing Because this signal is not internally synchronized by the core, it must meet setup and hold time constraints to <i>m_clk</i> when the core clock is running. <i>p_mcp_b</i> is not sampled while the core is in the halted or stopped power management states. Assertion— <i>p_mcp_b</i> is sampled on two consecutive <i>m_clk</i> periods to detect a transition from the negated to the asserted state. It is internally qualified with this transition, but must remain asserted to be guaranteed to be recognized.

[Table 7-12](#) describes the timer facility signals, which are associated with the time base, watchdog, fixed-interval, and decremter facilities.

Table 7-12. Descriptions of Timer Facility Signals

Signal	I/O	Signal Description		
<i>p_tbdisable</i>	I	Timer disable. Used to disable the internal time base and decremter counters. Used to freeze the state of the time base and decremter during low power or debug operation.		
		<table border="1"> <tr> <td>State Meaning</td> <td>Asserted—Time base and decremter updates are frozen. Negated—Time base and decremter updates are unaffected.</td> </tr> </table>	State Meaning	Asserted—Time base and decremter updates are frozen. Negated—Time base and decremter updates are unaffected.
		State Meaning	Asserted—Time base and decremter updates are frozen. Negated—Time base and decremter updates are unaffected.	
<table border="1"> <tr> <td>Timing</td> <td>Not internally synchronized by the core; must meet setup and hold time constraints relative to <i>m_clk</i> when the core clock is running, as well as to <i>p_tbclock</i> when selected as an alternate time base clock source.</td> </tr> </table>	Timing	Not internally synchronized by the core; must meet setup and hold time constraints relative to <i>m_clk</i> when the core clock is running, as well as to <i>p_tbclock</i> when selected as an alternate time base clock source.		
Timing	Not internally synchronized by the core; must meet setup and hold time constraints relative to <i>m_clk</i> when the core clock is running, as well as to <i>p_tbclock</i> when selected as an alternate time base clock source.			
<i>p_tbclock</i>	I	Timer external clock. Used as an alternate clock source for the time base and decremter counters. Selection of this clock is made using <code>HID0[SEL_TBCLK]</code> (see Section 2.13.1, “Hardware Implementation-Dependent Register 0 (HID0)”).		
		<table border="1"> <tr> <td>Timing</td> <td>Must be synchronous to the <i>m_clk</i> input and cannot exceed 50% of the <i>m_clk</i> frequency. Must be driven such that it changes state on the falling edge of <i>m_clk</i>.</td> </tr> </table>	Timing	Must be synchronous to the <i>m_clk</i> input and cannot exceed 50% of the <i>m_clk</i> frequency. Must be driven such that it changes state on the falling edge of <i>m_clk</i> .
Timing	Must be synchronous to the <i>m_clk</i> input and cannot exceed 50% of the <i>m_clk</i> frequency. Must be driven such that it changes state on the falling edge of <i>m_clk</i> .			
<i>p_tbint</i>	O	Timer interrupt status. Indicates whether an internal timer facility unit is requesting an interrupt (<code>TSR[WIS]=1</code> and <code>TCR[WIE]=1</code> , or <code>TSR[DIS]=1</code> and <code>TCR[DIE]=1</code> , or <code>TSR[FIS]=1</code> and <code>TCR[FIE]=1</code>). May be used to exit low power operation or for other system purposes.		
		<table border="1"> <tr> <td>State Meaning</td> <td>Asserted—An internal timer facility unit is generating an interrupt request. Negated—An internal timer facility unit is not generating an interrupt request.</td> </tr> </table>	State Meaning	Asserted—An internal timer facility unit is generating an interrupt request. Negated—An internal timer facility unit is not generating an interrupt request.
State Meaning	Asserted—An internal timer facility unit is generating an interrupt request. Negated—An internal timer facility unit is not generating an interrupt request.			

[Table 7-13](#) describes the processor reservation signals associated with **lwarx** and **stwcx**.

Table 7-13. Descriptions of Processor Reservation Signals

Signal	I/O	Signal Description		
<i>p_rsrv</i>	O	CPU reservation status. Indicates whether a reservation was established by the execution of an lwarx .		
		<table border="1"> <tr> <td>State Meaning</td> <td>Asserted—A reservation was established by successful execution of an lwarx. Remains asserted until the reservation is cleared. Negated—No reservation is in effect.</td> </tr> </table>	State Meaning	Asserted—A reservation was established by successful execution of an lwarx . Remains asserted until the reservation is cleared. Negated—No reservation is in effect.
		State Meaning	Asserted—A reservation was established by successful execution of an lwarx . Remains asserted until the reservation is cleared. Negated—No reservation is in effect.	
<table border="1"> <tr> <td>Timing</td> <td>Assertion—Remains asserted until the reservation is cleared.</td> </tr> </table>	Timing	Assertion—Remains asserted until the reservation is cleared.		
Timing	Assertion—Remains asserted until the reservation is cleared.			
<i>p_rsrv_clear</i>	I	CPU reservation clear. Used to clear a reservation. External logic may use this signal to implement reservation management policies outside the scope of the CPU. <i>p_xfail_b</i> indicates success/failure of an stwcx . as part of bus transfer termination using the XFAIL <i>p_hresp[2:0]</i> encoding.		
		<table border="1"> <tr> <td>State Meaning</td> <td>Asserted—Signals that a reservation should be cleared. Asserted independently of any bus transfer.</td> </tr> </table>	State Meaning	Asserted—Signals that a reservation should be cleared. Asserted independently of any bus transfer.
		State Meaning	Asserted—Signals that a reservation should be cleared. Asserted independently of any bus transfer.	
<table border="1"> <tr> <td>Timing</td> <td>Assertion—Asserted independently of any bus transfer.</td> </tr> </table>	Timing	Assertion—Asserted independently of any bus transfer.		
Timing	Assertion—Asserted independently of any bus transfer.			

[Table 7-14](#) describes miscellaneous processor signals.

Table 7-14. Descriptions of Miscellaneous Processor Signals

Signal	I/O	Signal Description
<i>p_cpuid[0:7]</i>	I	CPU ID. Reflected in the PIR. See Section 2.4.2, “Processor ID Register (PIR)” .
		<table border="1"> <tr> <td>Timing</td> <td>Intended to remain in a static condition and are not internally synchronized.</td> </tr> </table>
Timing	Intended to remain in a static condition and are not internally synchronized.	
<i>p_pid0[0:7]</i>	O	PID0 outputs. Reflected to <code>PID0[56–63]</code> . See Section 2.16.5, “Process ID Register (PID0)” .

Table 7-14. Descriptions of Miscellaneous Processor Signals (continued)

Signal	I/O	Signal Description	
<i>p_pid0_updt</i>	O	PID0 update. Indicates that PID0 is being updated by an mtspr .	
		State Meaning	Asserted—PID0 is being updated by an mtspr . Negated—PID0 is not being updated by an mtspr .
		Timing	Assertion—asserts during the clock cycle the <i>p_pid0[0:7]</i> outputs are changing.
<i>p_sysvers[0:31]</i> <i>l</i>	I	System version. Core version number reflected in the SVR. See Section 2.4.4, “System Version Register (SVR).”	
		Timing	Intended to remain in a static condition and not internally synchronized.
<i>p_pvrin[16:31]</i>	I	Processor version. Provide a portion of the version number for a particular CPU. Reflected in the PVR. See Section 2.4.3, “Processor Version Register (PVR).”	
		Timing	Intended to remain in a static condition and are not internally synchronized.

7.3.1 Processor State Signals

Table 7-15 describes the processor state signals.

Table 7-15. Descriptions of Processor State Signals

Signal	I/O	Signal Description																																																				
<i>p_pstat[0:6]</i>	O	Processor status. Indicate the internal execution unit status. Any values not shown are reserved.																																																				
		<table border="0"> <tr> <td><i>p_pstat[0:6]</i></td> <td><u>Internal Processor Status</u></td> </tr> <tr> <td>0000xx</td> <td>Execution stalled</td> </tr> <tr> <td>00001xx</td> <td>Execute exception</td> </tr> <tr> <td>00010xx</td> <td>Instruction squashed</td> </tr> <tr> <td>01000xx</td> <td>Processor in halted state</td> </tr> <tr> <td>01001xx</td> <td>Processor in stopped state</td> </tr> <tr> <td>01010xx</td> <td>Processor in debug mode¹</td> </tr> <tr> <td>01011xx</td> <td>Processor in checkstop state</td> </tr> <tr> <td>10000sm</td> <td>Complete instruction^{2,3}</td> </tr> <tr> <td>1000100</td> <td>Complete lmw or stmw</td> </tr> <tr> <td>1000101</td> <td>Complete e_lmw or e_stmw</td> </tr> <tr> <td>1001000</td> <td>Complete isync</td> </tr> <tr> <td>1001011</td> <td>Complete se_isync</td> </tr> <tr> <td>100110m</td> <td>Complete lwarx or stwcx.³</td> </tr> <tr> <td>1100000</td> <td>Complete branch instruction bc, bcl, bca, bcla, b, bl, ba, bla resolved as not taken</td> </tr> <tr> <td>1100001</td> <td>Complete branch instruction e_bc, e_bcl, e_b, e_bl resolved as not taken</td> </tr> <tr> <td>1100011</td> <td>Complete branch instruction se_bc, se_bcl, se_b, se_bl resolved as not taken</td> </tr> <tr> <td>1100100</td> <td>Complete branch instruction bc, bcl, bca, bcla, b, bl, ba, bla resolved as taken</td> </tr> <tr> <td>1100101</td> <td>Complete branch instruction e_bc, e_bcl, e_b, e_bl resolved as taken</td> </tr> <tr> <td>1100111</td> <td>Complete branch instruction se_bc, se_bcl, se_b, se_bl resolved as taken</td> </tr> <tr> <td>1101000</td> <td>Complete bclr, bclrl, bcctr, bcctrl resolved as not taken</td> </tr> <tr> <td>1101100</td> <td>Complete bclr, bclrl, bcctr, bcctrl resolved as taken</td> </tr> <tr> <td>1101111</td> <td>Complete se_blr, se_blrl, se_bctr, se_bctrl (always taken)</td> </tr> <tr> <td>111000m</td> <td>Complete isel with condition false</td> </tr> <tr> <td>111010m</td> <td>Complete isel with condition true</td> </tr> <tr> <td>1111100</td> <td>Complete rfi, rfci, or rfdi</td> </tr> <tr> <td>1111111</td> <td>Complete se_rfi, se_rfci, or se_rfdi</td> </tr> </table>	<i>p_pstat[0:6]</i>	<u>Internal Processor Status</u>	0000xx	Execution stalled	00001xx	Execute exception	00010xx	Instruction squashed	01000xx	Processor in halted state	01001xx	Processor in stopped state	01010xx	Processor in debug mode ¹	01011xx	Processor in checkstop state	10000sm	Complete instruction ^{2,3}	1000100	Complete lmw or stmw	1000101	Complete e_lmw or e_stmw	1001000	Complete isync	1001011	Complete se_isync	100110m	Complete lwarx or stwcx . ³	1100000	Complete branch instruction bc , bcl , bca , bcla , b , bl , ba , bla resolved as not taken	1100001	Complete branch instruction e_bc , e_bcl , e_b , e_bl resolved as not taken	1100011	Complete branch instruction se_bc , se_bcl , se_b , se_bl resolved as not taken	1100100	Complete branch instruction bc , bcl , bca , bcla , b , bl , ba , bla resolved as taken	1100101	Complete branch instruction e_bc , e_bcl , e_b , e_bl resolved as taken	1100111	Complete branch instruction se_bc , se_bcl , se_b , se_bl resolved as taken	1101000	Complete bclr , bclrl , bcctr , bcctrl resolved as not taken	1101100	Complete bclr , bclrl , bcctr , bcctrl resolved as taken	1101111	Complete se_blr , se_blrl , se_bctr , se_bctrl (always taken)	111000m	Complete isel with condition false	111010m	Complete isel with condition true	1111100	Complete rfi , rfci , or rfdi
<i>p_pstat[0:6]</i>	<u>Internal Processor Status</u>																																																					
0000xx	Execution stalled																																																					
00001xx	Execute exception																																																					
00010xx	Instruction squashed																																																					
01000xx	Processor in halted state																																																					
01001xx	Processor in stopped state																																																					
01010xx	Processor in debug mode ¹																																																					
01011xx	Processor in checkstop state																																																					
10000sm	Complete instruction ^{2,3}																																																					
1000100	Complete lmw or stmw																																																					
1000101	Complete e_lmw or e_stmw																																																					
1001000	Complete isync																																																					
1001011	Complete se_isync																																																					
100110m	Complete lwarx or stwcx . ³																																																					
1100000	Complete branch instruction bc , bcl , bca , bcla , b , bl , ba , bla resolved as not taken																																																					
1100001	Complete branch instruction e_bc , e_bcl , e_b , e_bl resolved as not taken																																																					
1100011	Complete branch instruction se_bc , se_bcl , se_b , se_bl resolved as not taken																																																					
1100100	Complete branch instruction bc , bcl , bca , bcla , b , bl , ba , bla resolved as taken																																																					
1100101	Complete branch instruction e_bc , e_bcl , e_b , e_bl resolved as taken																																																					
1100111	Complete branch instruction se_bc , se_bcl , se_b , se_bl resolved as taken																																																					
1101000	Complete bclr , bclrl , bcctr , bcctrl resolved as not taken																																																					
1101100	Complete bclr , bclrl , bcctr , bcctrl resolved as taken																																																					
1101111	Complete se_blr , se_blrl , se_bctr , se_bctrl (always taken)																																																					
111000m	Complete isel with condition false																																																					
111010m	Complete isel with condition true																																																					
1111100	Complete rfi , rfci , or rfdi																																																					
1111111	Complete se_rfi , se_rfci , or se_rfdi																																																					
	Timing	Synchronous with <i>m_clk</i> , so the indicated status may not apply to a current bus transfer.																																																				

Table 7-15. Descriptions of Processor State Signals (continued)

Signal	I/O	Signal Description
<i>p_brstat[0:1]</i>	O	Branch prediction status. Indicates the status of a branch prediction prefetch. Such prefetches are performed for branch target buffer (BTB) hits with predict taken status to accelerate branches. <i>p_s1stat[0:1]</i> S1 prefetch status 0x Default (no branch-predicted taken prefetch) 10 Branch-predicted taken prefetch resolved as not taken 11 Branch-predicted taken prefetch resolved as taken
		Timing Synchronous with <i>m_clk</i> , so the indicated status may not apply to a current bus transfer.
<i>p_mcp_out</i>	O	Processor machine check. Indicates whether a machine check condition has caused a syndrome bit to be set in the machine check syndrome register (MCSR).
		State Meaning Asserted—A machine check condition caused an MCSR bit to be set. Negated—No machine check condition exists that would set an MCSR bit.
<i>p_chkstop</i>	O	Processor checkstop. Asserted by the processor when a checkstop condition has occurred and the CPU has entered the checkstop state.
		State Meaning Asserted—The processor has indicated a checkstop condition. Negated—The processor has not indicated a checkstop condition.

¹ As reflected on the *cpu_dbgack* internal state signal

² Except *rfi*, *rfdi*, *lmw*, *stmw*, *lwarx*, *stwcx.*, *isync*, *isel*, *se_rfi*, *se_rfdi*, *e_lmw*, *e_stmw*, *se_isel*, and change of flow instructions

³ s: instruction size, 0 = 32 bit, 1 = 16 bit.
m: 0 for Book E page, 1 for VLE page

Table 7-16 describes power management and other external control logic functions.

Table 7-16. Descriptions of Power Management Control Signals

Signal	I/O	Signal Description
<i>p_halt</i>	I	Processor halt request. Used to request that the processor enter the halted state.
		State Meaning Asserted—Requests the processor to enter halted state. Negated—No request is being made for the processor to enter halted state.
<i>p_halted</i>	O	Processor halted. The active-high <i>p_halted</i> output signal indicates that the processor entered the halted state.
		State Meaning Asserted—The processor is in halted state. Negated—The processor is not in halted state.
<i>p_stop</i>	I	Processor stop request. The active-high <i>p_stop</i> input signal requests that the processor enter the stopped state.
		State Meaning Asserted—Requests the processor to enter stopped state. Negated—No request is being made for the processor to enter stopped state.
<i>p_stopped</i>	O	Processor stopped. The active-high <i>p_stopped</i> output signal indicates that the processor entered the stopped state.
		State Meaning Asserted—The processor is in stopped state. Negated—The processor is not in stopped state.

Table 7-16. Descriptions of Power Management Control Signals (continued)

Signal	I/O	Signal Description	
<i>p_doze</i> <i>p_nap</i> <i>p_sleep</i>	O	Low-power mode. Asserted by the processor to reflect the settings of HID0[DOZE,NAP,SLEEP] when MSR[WE] is set. The core can be placed in a low-power state by forcing <i>m_clk</i> to a quiescent state and brought out of low-power state by re-enabling <i>m_clk</i> . The time base facilities may be separately enabled or disabled using combinations of the timer facility control signals. External logic can detect the asserted edge or level of these signals to determine which low-power mode has been requested and then place the core and peripherals in a low-power consumption state. <i>p_wakeup</i> can be monitored to determine when to end the low-power condition.	
		State Meaning	Asserted—MSR[WE] and the respective HID0 bit are both set. Negated—MSR[WE] and the respective HID0 bit are not both set.
		Timing	Assertion—May assert for 1 or more clock cycles.
<i>p_wakeup</i>	O	Wake up. Used by external logic to remove the core and system logic from a low-power state. It can also indicate to the system clock controller that <i>m_clk</i> should be re-enabled for debug purposes. <i>p_wakeup</i> (or other system state) should be monitored to determine when to release the processor (and system if applicable) from a low-power state.	
		State Meaning	Asserted—Asserts whenever one of the following occurs: <ul style="list-style-type: none"> • A valid pending interrupt is detected by the core. • A request to enter debug mode is made by setting the OCR[DR] or via the assertion of <i>jd_de_b</i> or <i>p_ude</i>. • The processor is in a debug session and <i>jd_debug_b</i> is asserted. • A request to enable <i>m_clk</i> has been made by setting OCR[WKUP].
		Timing	See Section 7.5.5, “Power Management.” This signal is asynchronous to the system clock and should be synchronized to the system clock domain to avoid hazards.

[Table 7-17](#) describes signal debug events to the core.

Table 7-17. Descriptions of Debug Events Signals

Signal	I/O	Signal Description	
<i>p_ude</i>	I	Unconditional debug event. Used to request an unconditional debug event.	
		State Meaning	Asserted—An unconditional debug event has been requested. Only a transition from negated to asserted state of <i>p_ude</i> causes an event to occur. However, the level on this signal causes assertion of <i>p_wakeup</i> . Negated—No unconditional debug event has been requested.
		Timing	Not internally synchronized by the core, and must meet setup and hold time constraints relative to <i>m_clk</i> when the core clock is running. Assertion—Level-sensitive and must be held asserted until acknowledged by software, or, when external debug mode is enabled, by assertion of <i>jd_debug_b</i> to be guaranteed recognition. Only a transition from negated to asserted state of <i>p_ude</i> causes an event to occur. However, the level on this signal causes assertion of <i>p_wakeup</i> .

Table 7-17. Descriptions of Debug Events Signals (continued)

Signal	I/O	Signal Description
<i>p_devt1</i>	I	External debug event 1. Used to request an external debug event. If the core clock is disabled, this signal is not recognized. In addition, only a transition from negated to asserted state of <i>p_devt1</i> causes an event to occur. It is intended to signal core-related events generated while the CPU is active.
		State Meaning Asserted—An external debug event is requested. Only a transition from negated to asserted state of <i>p_devt1</i> causes an event to occur. It is intended to signal core-related events generated while the CPU is active. Negated—No external debug event is requested.
		Timing Not internally synchronized by the core, and must meet setup and hold time constraints relative to <i>m_clk</i> when the core clock is running.
<i>p_devt2</i>	I	External debug event 2. Used to request an external debug event. If the core clock is disabled, this signal is not recognized. In addition, only a transition from negated to asserted state of <i>p_devt2</i> causes an event to occur. It is intended to signal core-related events generated while the CPU is active.
		State Meaning Asserted—An external debug event is requested. Only a transition from negated to asserted state of <i>p_devt2</i> causes an event to occur. Negated—No external debug event is requested.
		Timing Not internally synchronized by the core, and must meet setup and hold time constraints relative to <i>m_clk</i> when the core clock is running.

Table 7-18 lists debug/emulation (Nexus 1/ OnCE) support signals. These signals assist in implementing an on-chip emulation capability with a controller external to the core.

Table 7-18. Core Debug/Emulation Support Signals

Signal	Type	Description
<i>jd_en_once</i>	I	Enable full OnCE operation
<i>jd_debug_b</i>	O	Debug session indicator
<i>jd_de_b</i>	I	Debug request
<i>jd_de_en</i>	O	<i>DE_b</i> active high output enable
<i>jd_mclk_on</i>	I	CPU clock is active indicator

Table 7-19 describes debug/emulation (Nexus 1/ OnCE) support signals.

Table 7-19. Descriptions of Debug/Emulation (Nexus 1/ OnCE) Support Signals

Signal	I/O	Signal Description
<i>jd_en_once</i>	I	OnCE enable. Enables the OnCE controller to allow certain instructions and operations to be executed. Other systems should tie this signal asserted to enable full OnCE operation. <i>j_en_once_regsel</i> and <i>j_key_in</i> are provided to assist external logic performing security checks.
		State Meaning Asserted—Enables the full OnCE command set, as well as operation of control signals and OnCE control register functions. Negated—Only the bypass, ID, and Enable_OnCE commands are executed by the OnCE unit; all other commands default to a bypass command. The OnCE status register (OSR) is not visible when OnCE operation is disabled. In addition, OCR functions and the operation of <i>jd_de_b</i> are disabled. Secure systems may leave this signal negated until a security check is performed.
		Timing Must change state only during the test-logic-reset, run-test/idle, or update_dr TAP states. A new value takes effect after one additional <i>j_tclk</i> cycle of synchronization.
<i>jd_debug_b</i>	O	Debug session. A debug session includes single-step operations (Go+NoExit OnCE commands). This signal is provided to inform system resources that access is occurring for debug purposes, thus allowing certain resource side effects to be frozen or otherwise controlled. Examples may include FIFO state change control and control of side-effects of register or memory accesses. See Section 9.5.4, “OnCE Interface Signals.”
		State Meaning Asserted—Asserted when the processor enters debug mode. It remains asserted for the duration of a debug session. that is, during OnCE single-step executions.
<i>jd_de_b</i>	I	Debug request. Normally the input from the top-level DE_b open-drain bidirectional I/O cell. See Section 9.5.4, “OnCE Interface Signals.”
		State Meaning Asserted—A debug request is pending. Negated—No debug request is pending.
		Timing Assertion—Not internally synchronized by the core and must meet setup and hold time constraints relative to <i>j_tclk</i> . To be recognized, it must be held asserted for a minimum of two <i>j_tclk</i> periods, and <i>jd_en_once</i> must be in the asserted state. <i>jd_de_b</i> is synchronized to <i>m_clk</i> in the debug module before being sent to the processor (two clocks).
<i>jd_de_en</i>	O	DE_b active high output enable. Enable for the top-level DE_b open-drain bidirectional I/O cell. See Section 9.5.4, “OnCE Interface Signals.”
		State Meaning Asserted—the top-level DE_b open-drain bidirectional I/O cell is enabled. Negated—the top-level DE_b open-drain bidirectional I/O cell is disabled.
		Timing Assertion—Asserted for three <i>j_tclk</i> periods upon processor entry into debug mode.
<i>jd_mclk_on</i>	I	Processor clock on. Driven by system-level clock control logic to indicate the <i>m_clk</i> input state
		State Meaning Asserted—The processor’s <i>m_clk</i> input is active. Negated—The processor’s <i>m_clk</i> input is not active.
		Timing Assertion—Synchronized to <i>j_tclk</i> and provided as an OSR status bit.
<i>jd_watchpoint</i> [0:7]	O	Watchpoint events. Indicate whether a watchpoint occurred. Each debug address compare function (IAC1–IAC4, DAC1–DAC2), and debug counter event (DCNT1–DCNT2) is capable of triggering a watchpoint output.
		State Meaning Asserted—A watchpoint occurred Negated—No watchpoint occurred

Table 7-20 lists interface signals that assist in implementing a real-time development tool capability with a controller that is external to the core. These signals are described in Section 10.11, “Nexus3/Nexus2+ Pin Interface.”

Table 7-20. core Development Support (Nexus3) Signals

Signal	Type	Description
<i>nex_mcko</i>	O	Nexus3 clock output
<i>nex_rdy_b</i>	O	Nexus3 ready output
<i>nex_evto_b</i>	O	Nexus3 event-out output
<i>nex_evti_b</i>	I	Nexus3 event-in input
<i>nex_mdo[n:0]</i>	O	Nexus3 message data output
<i>nex_mseo_b[1:0]</i>	O	Nexus3 message start/end output

Table 7-21 lists the primary JTAG interface signals. These signals are usually connected directly to device pins (except for *j_tdo*, which needs tri-state and edge support logic), unless JTAG TAP controllers are concatenated.

Table 7-21. JTAG Primary Interface Signals

Signal Name	Type	Description
<i>j_trst_b</i>	I	JTAG test reset
<i>j_tclk</i>	I	JTAG test clock
<i>j_tms</i>	I	JTAG test mode select
<i>j_tdi</i>	I	JTAG test data input
<i>j_tdo</i>	O	Test data out to master controller or pad
<i>j_tdo_en</i>	O	Enables TDO output buffer. <i>j_tdo_en</i> is asserted when the TAP controller is in the shift_dr or shift_ir state.

Table 7-22 describes JTAG interface signals.

Table 7-22. Descriptions of JTAG Interface Signals

Signal	I/O	Signal Description
<i>j_tdi</i>	I	JTAG/OnCE serial input. Provides data and commands to the OnCE controller. Data is latched on the rising edge of <i>j_tclk</i> . Data is shifted into the OnCE serial port lsb first.
<i>j_tclk</i>	I	JTAG/OnCE serial clock. Supplies the serial clock to the OnCE control block. The serial clock provides pulses required to shift data and commands into and out of the OnCE serial port (data is clocked into the OnCE on the rising edge and is clocked out of the OnCE serial port on the rising edge). The debug serial clock frequency must not exceed 50% of the processor clock frequency.

Table 7-22. Descriptions of JTAG Interface Signals (continued)

Signal	I/O	Signal Description	
<i>j_tdo</i>	O	JTAG/OnCE serial output. Serial data is read from the OnCE block through <i>j_tdo</i> .	
		State Meaning	Data is shifted out the OnCE serial port lsb first.
		Timing	When data is clocked out of the OnCE serial port, <i>j_tdo</i> changes on the rising edge of <i>j_tclk</i> . The <i>j_tdo</i> output is always driven. An external system-level TDO pin may be three-statable and should be actively driven in the shift-IR and shift-DR controller states. <i>j_tdo_en</i> indicates when an external TDO pin should be enabled, and is asserted during the shift-IR and shift-DR controller states. In addition, for IEEE1149 compliance, the system-level pin should change state on the falling edge of TCLK.
<i>j_tms</i>	I	JTAG/OnCE test mode select. Used to cycle through states in the OnCE debug controller. Toggling <i>j_tms</i> while clocking with <i>j_tclk</i> controls transitions through the TAP state controller.	
<i>j_trst_b</i>	I	JTAG/OnCE test reset. Resets the OnCE controller externally by placing it in the test-logic-reset state. The following information details additional signals that can support external JTAG data registers using the core TAP controller.	
		Signal Name Type Description	
		<i>j_tst_log_rst</i> O Indicates the TAP controller is in the test-logic-reset state	
		<i>j_rti</i> O JTAG controller run-test/idle state	
		<i>j_capture_ir</i> O Indicates the TAP controller is in the capture IR state	
		<i>j_shift_ir</i> O Indicates the TAP controller is in shift IR state	
		<i>j_update_ir</i> O Indicates the TAP controller is in update IR state	
		<i>j_capture_dr</i> O Indicates the TAP controller is in the capture DR state	
		<i>j_shift_dr</i> O Indicates the TAP controller is in shift DR state	
		<i>j_update_gp_reg</i> O Updates JTAG controller general-purpose data register	
		<i>j_gp_regsel[0:11]</i> O General-purpose external JTAG register select	
		<i>j_en_once_regsel</i> O External enable OnCE register select	
		<i>j_key_in</i> I Serial data from external key logic	
		<i>j_nexus_regsel</i> O External Nexus register select	
<i>j_lsrl_regsel</i> O External LSRL register select			
<i>j_serial_data</i> I Serial data from external JTAG register(s)			
<i>j_tst_log_rst</i>	O	Test-logic-reset. Indicates whether the TAP controller is in test-logic-reset state.	
		State Meaning	Asserted—The TAP controller is in test-logic-reset state. Negated—The TAP controller is not in test-logic-reset state.
<i>j_rti</i>	O	Run-test/idle. Indicates whether the TAP controller is in the run-test/idle state.	
		State Meaning	Asserted—The TAP controller is in run-test/idle state. Negated—The TAP controller is not in run-test/idle state.
<i>j_capture_ir</i>	O	Capture IR. Indicates whether the TAP controller is in the Capture_IR state.	
		State Meaning	Asserted—The TAP controller is in Capture_IR state. Negated—The TAP controller is not in Capture_IR state.
<i>j_shift_ir</i>	O	Shift IR. Indicates whether the TAP controller is in the Shift_IR state.	
		State Meaning	Asserted—The TAP controller is in Shift_IR state. Negated—The TAP controller is not in Shift_IR state.
<i>j_update_ir</i>	O	Update IR. Indicates the TAP controller is in the Update_IR state.	
		State Meaning	Asserted—The TAP controller is in Update_IR state. Negated—The TAP controller is not in Update_IR state.

Table 7-22. Descriptions of JTAG Interface Signals (continued)

Signal	I/O	Signal Description																																							
<i>j_capture_dr</i>	O	Capture DR. Indicates whether the TAP controller is in the Capture_DR state.																																							
		State Meaning Asserted—The TAP controller is in Capture_DR state. Negated—The TAP controller is not in Capture_DR state.																																							
<i>j_shift_dr</i>	O	Shift DR. Indicates whether the TAP controller is in the Shift_DR state.																																							
		State Meaning Asserted—The TAP controller is in Shift_DR state. Negated—The TAP controller is not in Shift_DR state.																																							
<i>j_update_gp_reg</i>	O	Update DR. Indicates whether the TAP controller is in the Update_DR state.																																							
		State Meaning Asserted—The TAP controller is in the Update_DR state, and OCMD[R/W] is low (write command). <i>j_gp_regssel[0:11]</i> should be monitored to see which register, if any, needs updating. Negated—The TAP controller is not in the Update_DR state.																																							
<i>j_gp_regssel</i>	O	Register select. Decoded from the OCMD[RS]. They are used to specify which external general-purpose JTAG register to access using the core TAP controller.																																							
		<table border="1"> <thead> <tr> <th>Signal Name</th> <th>Type</th> <th>RS</th> </tr> </thead> <tbody> <tr><td><i>j_gp_regssel[0]</i></td><td>O</td><td>0x70</td></tr> <tr><td><i>j_gp_regssel[1]</i></td><td>O</td><td>0x71</td></tr> <tr><td><i>j_gp_regssel[2]</i></td><td>O</td><td>0x72</td></tr> <tr><td><i>j_gp_regssel[3]</i></td><td>O</td><td>0x73</td></tr> <tr><td><i>j_gp_regssel[4]</i></td><td>O</td><td>0x74</td></tr> <tr><td><i>j_gp_regssel[5]</i></td><td>O</td><td>0x75</td></tr> <tr><td><i>j_gp_regssel[6]</i></td><td>O</td><td>0x76</td></tr> <tr><td><i>j_gp_regssel[7]</i></td><td>O</td><td>0x77</td></tr> <tr><td><i>j_gp_regssel[8]</i></td><td>O</td><td>0x78</td></tr> <tr><td><i>j_gp_regssel[9]</i></td><td>O</td><td>0x79</td></tr> <tr><td><i>j_gp_regssel[10]</i></td><td>O</td><td>0x7A</td></tr> <tr><td><i>j_gp_regssel[11]</i></td><td>O</td><td>0x7B</td></tr> </tbody> </table>	Signal Name	Type	RS	<i>j_gp_regssel[0]</i>	O	0x70	<i>j_gp_regssel[1]</i>	O	0x71	<i>j_gp_regssel[2]</i>	O	0x72	<i>j_gp_regssel[3]</i>	O	0x73	<i>j_gp_regssel[4]</i>	O	0x74	<i>j_gp_regssel[5]</i>	O	0x75	<i>j_gp_regssel[6]</i>	O	0x76	<i>j_gp_regssel[7]</i>	O	0x77	<i>j_gp_regssel[8]</i>	O	0x78	<i>j_gp_regssel[9]</i>	O	0x79	<i>j_gp_regssel[10]</i>	O	0x7A	<i>j_gp_regssel[11]</i>	O	0x7B
		Signal Name	Type	RS																																					
		<i>j_gp_regssel[0]</i>	O	0x70																																					
		<i>j_gp_regssel[1]</i>	O	0x71																																					
		<i>j_gp_regssel[2]</i>	O	0x72																																					
		<i>j_gp_regssel[3]</i>	O	0x73																																					
		<i>j_gp_regssel[4]</i>	O	0x74																																					
		<i>j_gp_regssel[5]</i>	O	0x75																																					
		<i>j_gp_regssel[6]</i>	O	0x76																																					
		<i>j_gp_regssel[7]</i>	O	0x77																																					
		<i>j_gp_regssel[8]</i>	O	0x78																																					
		<i>j_gp_regssel[9]</i>	O	0x79																																					
<i>j_gp_regssel[10]</i>	O	0x7A																																							
<i>j_gp_regssel[11]</i>	O	0x7B																																							
<i>j_en_once_regssel</i>	O	Enable once register select. This control signal can be used by external security logic to help control <i>jd_enable_once</i> . The external enable_OnCE register should be muxed onto the <i>j_serial_data</i> input. During the Shift_DR state, <i>j_serial_data</i> is supplied to <i>j_tdo</i> .																																							
		State Meaning Asserted—A decode of OCMD[RS] indicates an external enable_OnCE register is selected (0b111110 encoding) for access using the core TAP controller.																																							
<i>j_nexus_regssel</i>	O	External Nexus register select.																																							
		State Meaning Asserted—A decode of OCMD[RS] indicates an external Nexus register is selected (0b111100 encoding) for access using the core TAP controller. Negated—No Nexus register is selected.																																							
<i>j_lsrl_regssel</i>	O	LSRL register select.																																							
		State Meaning Asserted—A decode of OCMD[RS] indicates an external LSRL register is selected (0b111101 encoding) for access using the core TAP controller.																																							

Table 7-22. Descriptions of JTAG Interface Signals (continued)

Signal	I/O	Signal Description
<i>j_serial_data</i>	I	Serial data. Receives serial data from external JTAG registers. All external registers share this serial output back to the core. Therefore it must be muxed using <i>j_gp_regssel[0:1]</i> , <i>j_lsr_regssel</i> , and <i>j_en_once_regssel</i> . The data is internally routed to <i>j_tdo</i> .
<i>j_key_in</i>	I	Key data in. Receives serial data from logic to indicate a key or other value to be scanned out in the Shift_IR state when the current value in the IR is the Enable_OnCE instruction. This input is provided to assist in implementing security logic outside of the core, which conditionally asserts <i>jd_en_once</i> . During the Shift_IR state, when <i>jd_en_once</i> is negated, this input is sampled on the rising edge of <i>j_tclk</i> , and, after a 2-clock delay, the data is internally routed to <i>j_tdo</i> . This allows provision of a key value via the <i>j_tdo</i> output following a transition from Capture_IR to Shift_IR. <i>j_key_in</i> provides the key value.

Figure 7-2 shows an example for designing an external JTAG register set using the inputs and outputs provided along with the JTAG primary inputs. The main components are a clock generation unit, a JTAG shifter (load, shift, hold, clr), the registers (load, hold, clr), and an input mux to the shifter for the serial output back to the core. The shifter and the registers may be as wide as the application warrants [0:x]. The length determines the number of states the TAP controller is held in Shift_DR (x+1).

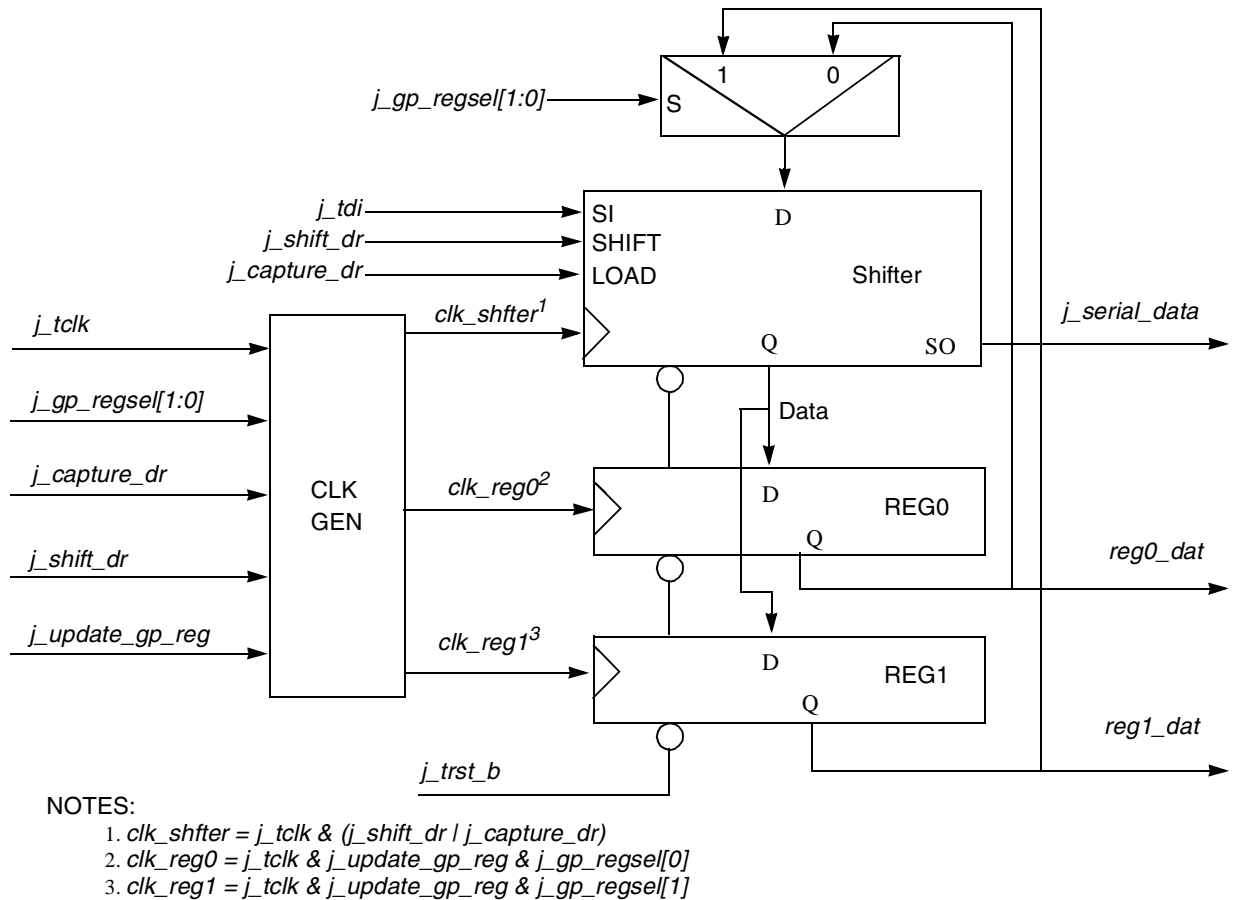


Figure 7-2. Example External JTAG Register Design

7.3.2 JTAG ID Signals

Table 7-23 shows the JTAG ID register unique to Freescale as specified by the *IEEE 1149.1 JTAG Specification*. Note that bit 31 is the msb of this register.

Table 7-23. JTAG Register ID Fields

Bit Field	Type	Description	Value
[31:28]	Variable	Version number	Variable
[27:22]	Fixed	Design center number (e200z3)	01_1111
[21:12]	Variable	Sequence number	Variable
[11:1]	Fixed	Motorola manufacturer ID	000_0000_1110
0	Fixed	JTAG ID register identification bit	1

The core shifts out a 1 as the first bit on *j_tdo* if the Shift_DR state is entered directly from the test-logic-reset state, per the JTAG specification, and informs any JTAG controller that an ID register exists on the part. The JTAG ID register is accessed by writing the OCMR (OnCE command register) with the value 0x02 in OCMD[RS].

The JTAG ID bit, manufacturer ID field, and design center number are fixed by the JTAG Consortium or Freescale. The version numbers and the 2 msbs of the sequence number are variable and brought out to external ports. The 8 lsbs of the sequence number are variable and are strapped internally to track variations in processor deliverables.

Table 7-24 shows the inputs to the JTAG ID register that are input ports on the core. These bits can help a customer track revisions of a device using the core.

Table 7-24. JTAG ID Register Inputs

Signal Name	Type	Description
<i>j_id_sequence</i> [0:1]	I	JTAG ID register (2 msbs of sequence field)
<i>j_id_version</i> [0:3]	I	JTAG ID register version field

Table 7-25 describes the JTAG ID signals.

Table 7-25. Descriptions of JTAG ID Signals

Signal	I/O	Signal Description
<i>j_id_sequence</i> [0:1]	I	JTAG ID sequence. Corresponds to the two msbs of the 10-bit sequence number in the JTAG ID register. These inputs are normally static and are provided for the integrator for further component variation identification.
<i>j_id_sequence</i> [2:9]	I	JTAG ID sequence. Internally strapped by EPS to track variations in processor and module deliverables. Each core deliverable has a unique sequence number. Additionally, each revision of these modules can be identified by unique sequence numbers. EPS maintains a database of the sequence numbers.
<i>j_id_version</i> [0:3]	I	JTAG ID version. Corresponds to the 4-bit version number in the JTAG ID register. These inputs are normally static. They are provided to the customer for strapping to facilitate identification of component variants.

7.4 Internal Signals

Table 7-26 lists internal signals that are mentioned in this manual. These signals are not directly accessible to the user, but are used in this document to help describe the general behavior of the core.

Table 7-26. Internal Signal Descriptions

Signal Name	Description
<i>p_addr[0:31]</i>	Address bus. Provides the address for a bus transfer.
<i>p_ta_b</i>	Transfer acknowledge. Indicates completion of a requested data transfer operation. An external device asserts <i>p_ta_b</i> to terminate the transfer. For the core to accept the transfer as successful, <i>p_tea_b</i> must remain high while <i>p_ta_b</i> is asserted.
<i>p_tea_b</i>	Transfer error acknowledge. Indicates that a transfer error condition has occurred and causes the core to immediately terminate the transfer. An external device asserts <i>p_tea_b</i> to terminate the transfer with error. <i>p_tea_b</i> has higher priority than <i>p_ta_b</i> .
<i>p_treq_b</i>	Transfer request. The core drives this output to indicate that a new access has been requested.
<i>p_xfail_b</i>	Store exclusive failure. An external agent causes assertion of <i>p_xfail_b</i> to indicate a failure of the store portion of an stwcx . for the current transfer. <i>p_xfail_b</i> is ignored if <i>p_tea_b</i> is asserted, because the store terminated with an error. Assertion of <i>p_xfail_b</i> with <i>p_ta_b</i> does not cause an exception; it indicates that the store was not performed due to a loss of reservation (determined by an external agent). The CPU updates the condition code accordingly and clears any outstanding reservation. <i>p_xfail_b</i> may be asserted by reservation logic or as a result of a system bus transfer with a failure response that is passed back to the CPU from the BIU. The AMBA XFAIL response is signaled back to the CPU using this signal. See Section 3.7, “Memory Synchronization and Reservation Instructions.” <i>p_xfail_b</i> is ignored for all transfers other than an stwcx .

7.5 Timing Diagrams

The following sections discuss various types of timing diagrams.

7.5.1 Processor Instruction/Data Transfers

Transfer of data between the core and peripherals involves the address bus, data buses, and control and attribute signals. The address and data buses are parallel, non-multiplexed buses, supporting byte, half word, 3-byte, word, and double-word transfers. All bus inputs and outputs are sampled and driven with respect to the rising edge of *m_clk*. The core moves data on the bus by issuing control signals and using a handshake protocol to ensure correct data movement.

The memory interface operates in a pipelined fashion to allow additional access time for memory and peripherals. AHB transfers consist of an address phase that lasts only one cycle, followed by the data phase that may last for one or more cycles, depending on the state of *p_[d,i]_hready*.

Read transfers consist of the following:

- A request cycle, where address and attributes are driven along with a transfer request
- One or more memory access cycles to perform accesses and return data to the CPU for alignment, sign or zero extension, and forwarding.

Write transfers consist of a request cycle, in which address and attributes are driven along with a transfer request; and of one or more data drive cycles, in which write data is driven and external devices accept write data for the access.

To support sustained single-cycle transfers, access requests can overlap. Up to two access requests may be in progress during any cycle—one access outstanding and a second in the pending request phase. If access retraction is enabled via $HID1[ARD] = 0$, the BIU is free to change the current request at any time, even if part of a burst transfer.

Access requests are assumed to be accepted as long as either no access is in progress or an access is terminated during the same cycle when a new request is active ($p_{[d,i]}hready$ asserted). When an access is accepted, the BIU is free to change the current request.

The local memory control logic is responsible for proper pipelining and latching of all interface signals to initiate memory accesses.

The system hardware can use $p_{hresp}[2:0]$ to signal, using the ERROR response encoding, that the current bus cycle has an error when a fault is detected. ERROR assertion requires a 2-cycle response. In the first cycle of the response, $p_{hresp}[2:0]$ are driven to indicate ERROR and $p_{[d,i]}hready$ must be negated. During the following cycle, the ERROR response must continue to be driven, and $p_{[d,i]}hready$ must be asserted. When the core recognizes a bus error condition for an access at the end of the first cycle of the 2-cycle error response, a subsequent pending access request may be removed by the BIU driving $p_{[d,i]}htrans[2:0]$ to the IDLE state in the second cycle of the 2-cycle error response. Not all pending requests are removed, however.

When a bus cycle is terminated with a bus error, the core can enter storage error exception processing immediately following the bus cycle, or it can defer processing the exception.

The instruction prefetch mechanism requests instruction words from the instruction memory unit before it is ready to execute them. If a bus error occurs on an instruction fetch, the core does not take the exception until it attempts to use the instruction. Should an intervening instruction cause a branch, or should a task switch occur, the storage error exception for the unused access does not occur. A bus error termination for any write access or read access that references data specifically requested by the execution unit causes the core to begin exception processing.

7.5.1.1 Basic Read Transfer Cycles

During a read transfer, the core receives data from a memory or peripheral device. Figure 7-3 shows functional timing for basic read transfers, and clock-by-clock descriptions of activity follow.

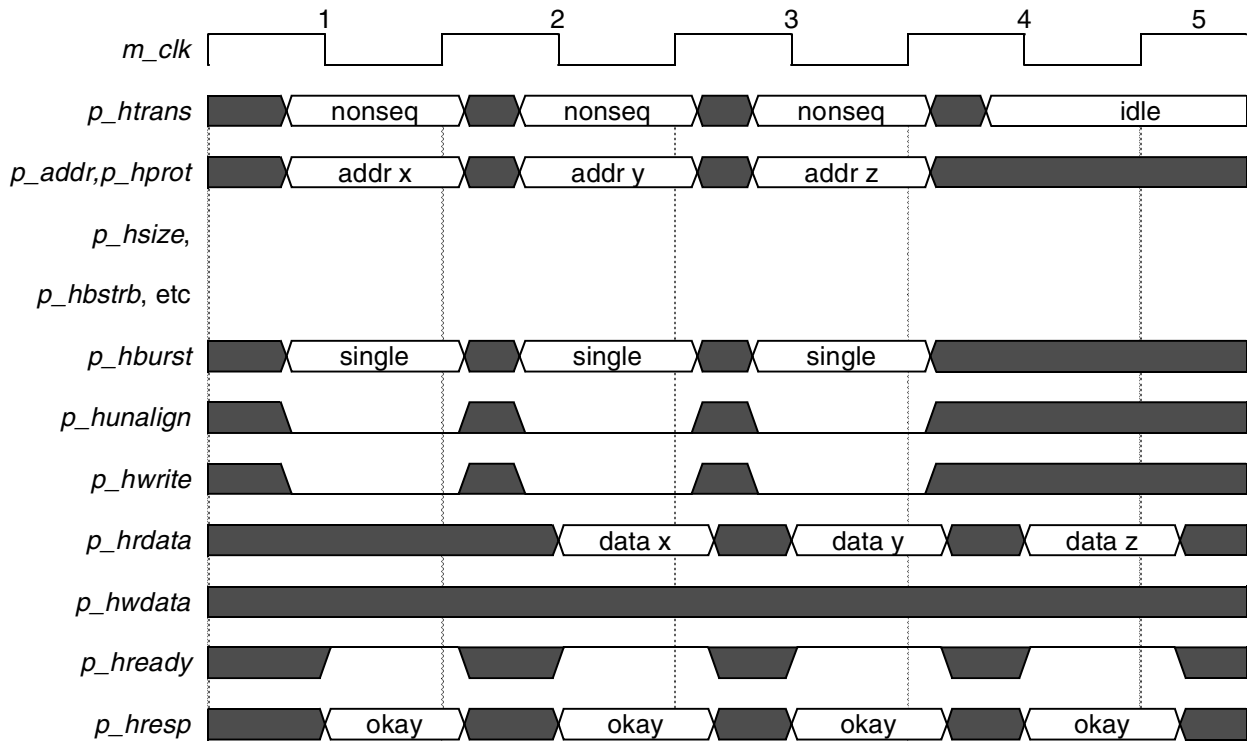


Figure 7-3. Basic Read Transfer—Single-Cycle Reads, Full Pipelining

- **Clock 1 (C1)**—The first read transfer starts in clock cycle 1. During C1, the core places valid values on the address bus and transfer attributes. The burst type ($p_{[d,i]}hbust[2:0]$), protection control ($p_{[d,i]hprot[5:0]}$), and transfer type ($p_{[d,i]htrans[1:0]}$) attributes identify the specific access type. The transfer size attributes ($p_{[d,i]hsize[1:0]}$) indicate the size of the transfer. The byte strobes ($p_{[d,i]hbstrb[7:0]}$) are driven to indicate active byte lanes. The write ($p_{[d,i]hwrite}$) signal is driven low for a read cycle.

The core asserts a transfer request ($p_{[d,i]htrans} = \text{NONSEQ}$) during C1 to indicate that a transfer is being requested. Because the bus is currently idle, (0 transfers outstanding), the first read request to $addr_x$ is considered taken at the end of C1. The default slave drives a ready/OKAY response for the current idle cycle.

- **Clock 2 (C2)**—During C2, the $addr_x$ memory access takes place, using the address and attribute values that were driven during C1 to enable reading of 1 or more bytes of memory. Read data from the slave device is provided on the $p_{[d,i]hrdata}$ inputs. The slave device responds by asserting $p_{[d,i]hready}$ to indicate that the cycle is completing, and it drives an OKAY response. Another read transfer request is made during C2 to $addr_y$ ($p_{[d,i]htrans} = \text{NONSEQ}$), and because the access to $addr_x$ is completing, it is considered taken at the end of C2.
- **Clock 3 (C3)**—During C3, the $addr_y$ memory access takes place, using the address and attribute values that were driven during C2 to enable reading of one or more bytes of memory. Read data

from the slave device for addr_y is provided on the p_d,i_hrdata inputs. The slave device responds by asserting p_d,i_hready to indicate the cycle is completing, and it drives an OKAY response. Another read transfer request is made during C3 to addr_z ($p_d,i_htrans = \text{NONSEQ}$), and because the access to addr_y is completing, it is considered taken at the end of C3.

- Clock 4 (C4)—During C4, the addr_z memory access takes place, using the address and attribute values that were driven during C3 to enable reading of one or more bytes of memory. Read data from the slave device for addr_z is provided on the p_d,i_hrdata inputs. The slave device responds by asserting p_d,i_hready to indicate the cycle is completing, and it drives an OKAY response. Because the CPU has no additional outstanding requests, p_d,i_htrans indicates IDLE and the address and attribute signals are undefined.

7.5.1.2 Read Transfer with Wait State

Figure 7-4 shows an example of wait state operation. Because signal p_d,i_hready for the first request (addr_x) is not asserted during C2, a wait state is inserted until p_d,i_hready is recognized (during C3).

Meanwhile, a subsequent request was generated by the CPU for addr_y which is not taken in C2, because the previous transaction is still outstanding. The address and transfer attributes remain driven in cycle C3 and are taken at the end of C3 because the previous access is completing. Data for addr_x and a ready/OKAY response are driven back by the slave device. In cycle C4, a request for addr_z is made. The request for access to addr_z is taken at the end of C4, and during C5, the slave device provides the data and a ready/OKAY response. In cycle C5, no further accesses are requested.

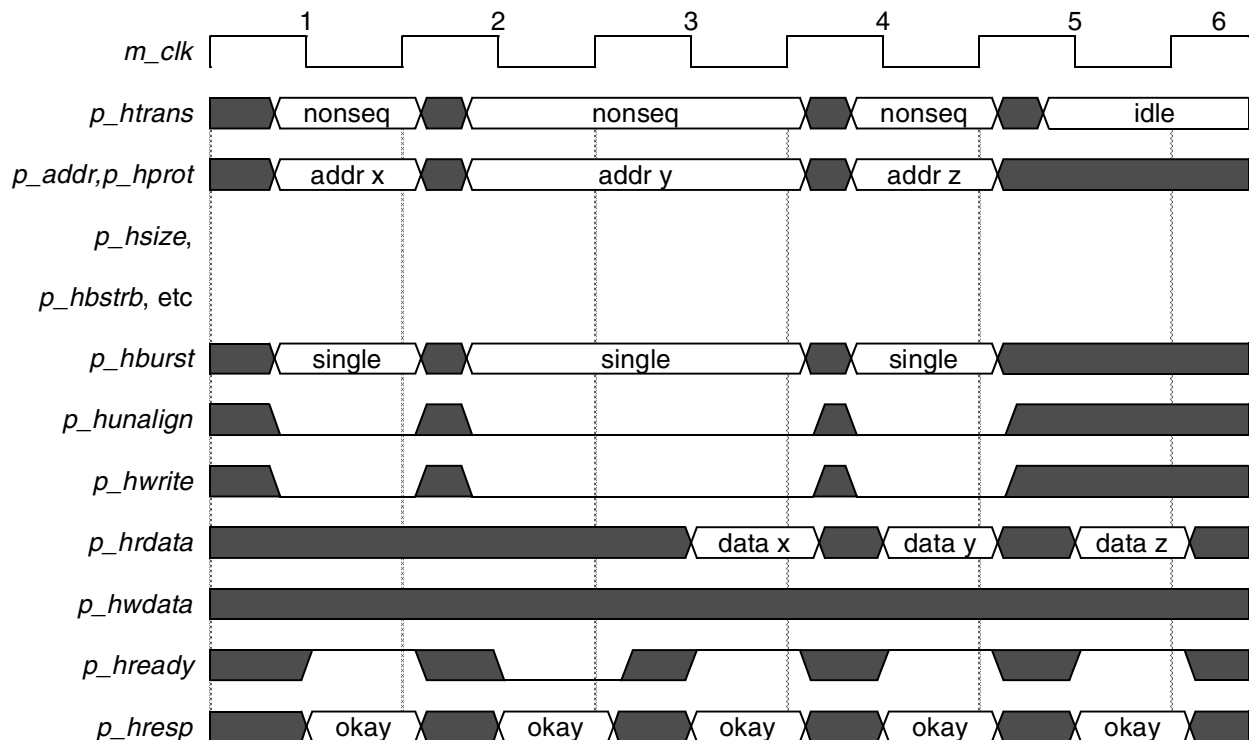


Figure 7-4. Read with Wait-State, Single-Cycle Reads, Full Pipelining

7.5.1.3 Basic Write Transfer Cycles

During a write transfer, the core provides write data to a memory or peripheral device. Figure 7-5 shows functional timing for basic write transfers. Clock-by-clock descriptions of activity in Figure 7-5 follow.

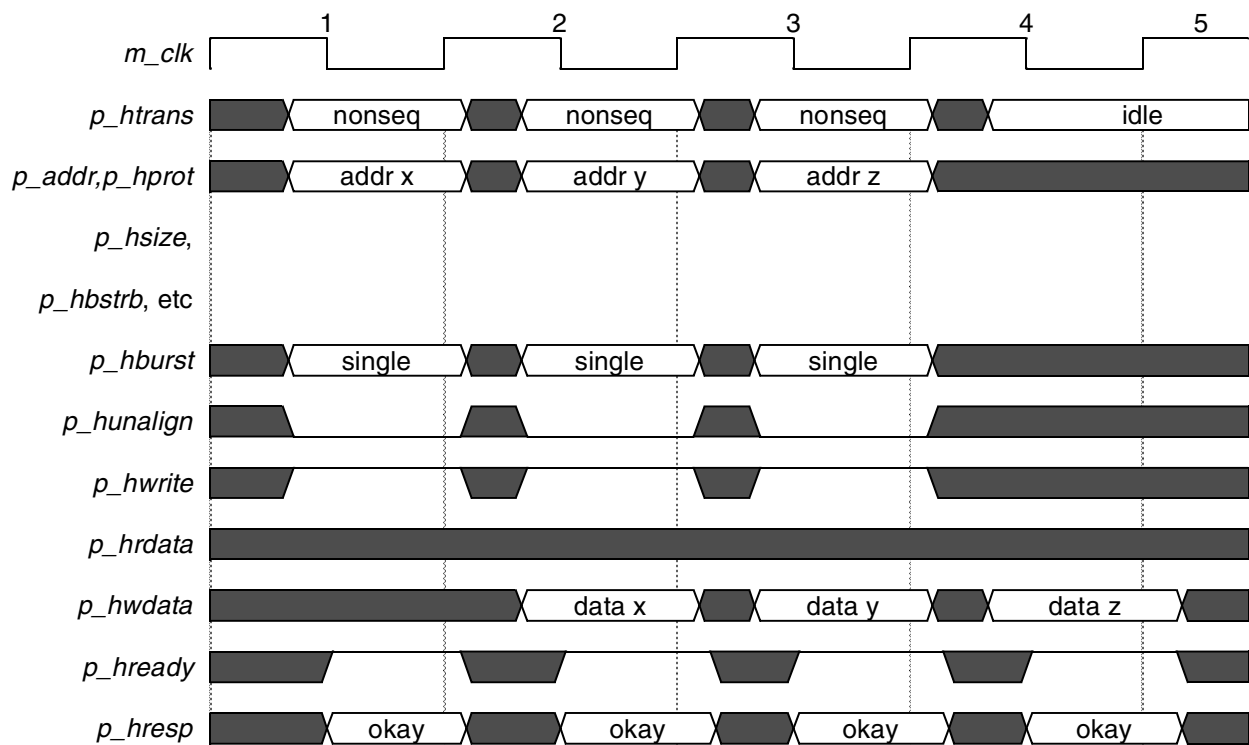


Figure 7-5. Basic Write Transfers—Single-Cycle Writes, Full Pipelining

- Clock 1 (C1)**—The first write transfer starts in clock cycle 1. During C1, the core places valid values on the address bus and transfer attributes. The burst type ($p_{[d,i]}hbust[2:0]$), protection control ($p_{[d,i]}hprot[5:0]$), and transfer type ($p_{[d,i]}htrans[1:0]$) attributes identify the specific access type. The transfer size attributes ($p_{[d,i]}hsize[1:0]$) indicate the size of the transfer. The byte strobes ($p_{[d,i]}hbstrb[7:0]$) are driven to indicate active byte lanes. The write ($p_{[d,i]}hwrite$) signal is driven high for a write cycle.

The core asserts transfer request ($p_{[d,i]}htrans=NONSEQ$) during C1 to indicate that a transfer is being requested. Because the bus is idle, (0 transfers outstanding), the first read request to $addr_x$ is considered taken at the end of C1. The default slave drives a ready/OKAY response for the current idle cycle.
- Clock 2 (C2)**—During C2, the write data for the access is driven and the $addr_x$ memory access occurs using the address and attribute values (driven during C1) to enable writing of one or more bytes of memory. The slave device responds by asserting $p_{[d,i]}hready$ to indicate the cycle is completing and drives an OKAY response.

Another write transfer request is made during C2 to $addr_y$ ($p_{[d,i]}htrans=NONSEQ$), and because the access to $addr_x$ is completing, it is considered taken at the end of C2.
- Clock 3 (C3)**—During C3, write data for $addr_y$ is driven, and the $addr_y$ memory access takes place using the address and attribute values (driven during C2) to enable writing of one or more bytes of

memory. The slave device responds by asserting $p_{[d,i]}hready$ to indicate the cycle is completing and drives an OKAY response.

Another write transfer request is made during C3 to $addr_y$ ($p_{[d,i]}htrans = NONSEQ$), and because the access to $addr_y$ is completing, it is considered taken at the end of C3.

- Clock 4 (C4)—During C4, write data for $addr_z$ is driven, and the $addr_z$ memory access takes place using the address and attribute values (driven during C3) to enable reading of one or more bytes of memory. The slave device responds by asserting $p_{[d,i]}hready$ to indicate the cycle is completing and drives an OKAY response.

Because the CPU has no more outstanding requests, $p_{[d,i]}htrans$ indicates IDLE and the address and attribute signals are undefined.

7.5.1.4 Write Transfer with Wait States

Figure 7-6 shows an example write wait state operation. Because $p_{[d,i]}hready$ for the first request ($addr_x$) is not asserted during C2, a wait state is inserted until $p_{[d,i]}hready$ is recognized (during C3).

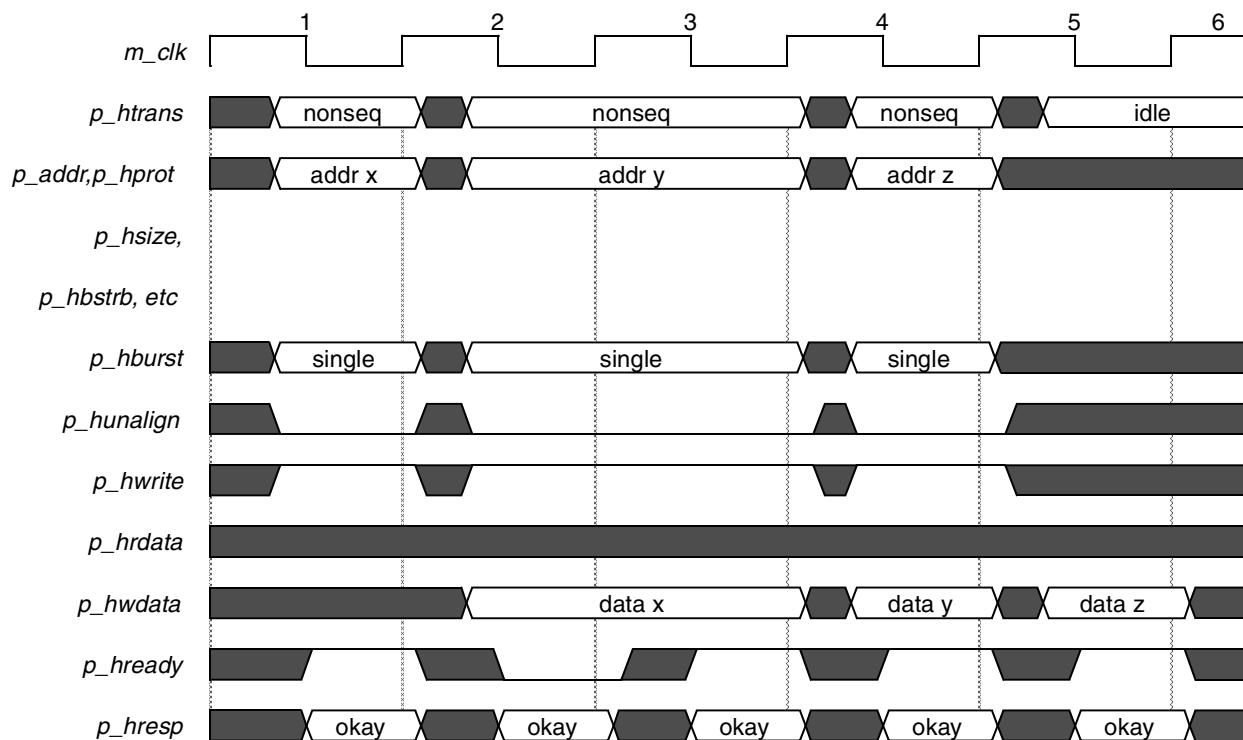


Figure 7-6. Write with Wait-state, Single-Cycle Writes, Full Pipelining

Meanwhile, the core generates a subsequent request for $addr_y$ which is not taken in C2, because the previous transaction is outstanding. The address, transfer attributes, and write data remain driven in cycle C3 and are taken at the end of C3 because a ready/OKAY response is driven back by the slave device for the previous access. In cycle C4, a request for $addr_z$ is made. The request for access to $addr_z$ is taken at the end of C4, and during C5, the slave device provides a ready/OKAY response. In C5, no further accesses are requested.

7.5.1.5 Read and Write Transfers

Figure 7-7 shows a sequence of read and write cycles.

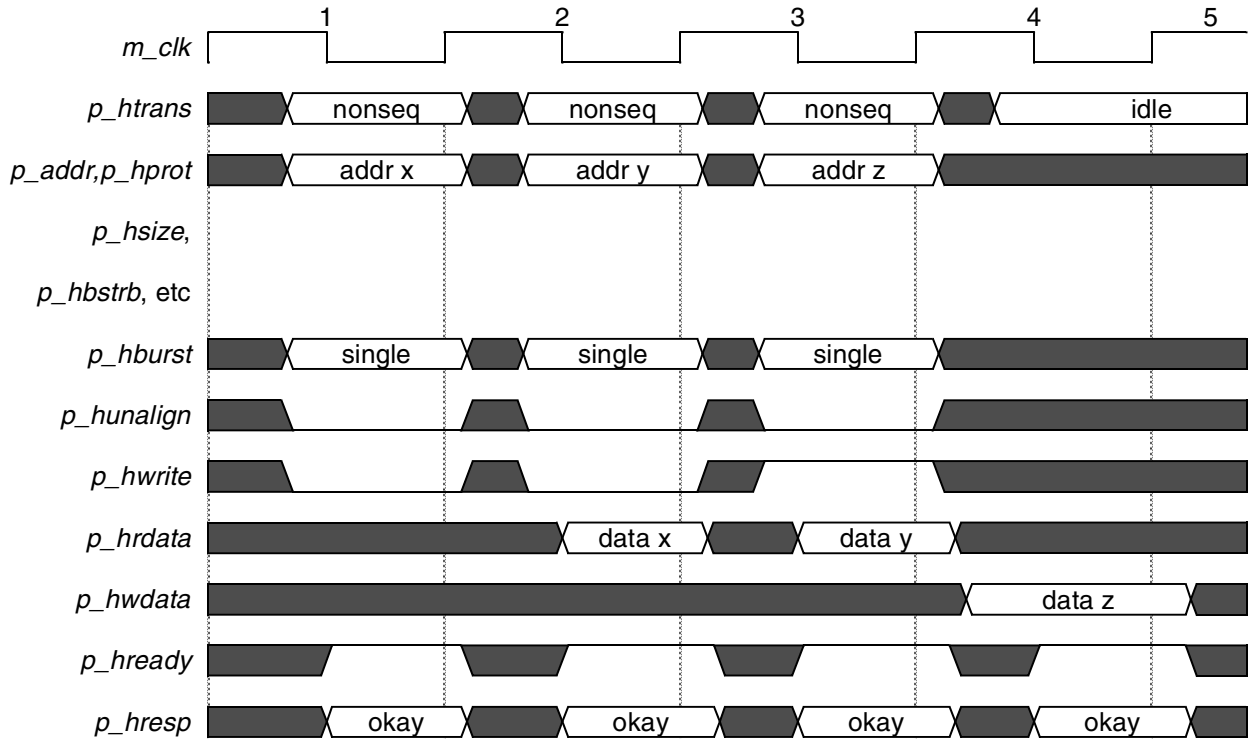


Figure 7-7. Single-Cycle Reads, Single-Cycle Write, Full Pipelining

The first read request ($addr_x$) is taken at the end of cycle C1 because the bus is idle. The second read request ($addr_y$) is taken at the end of C2 because a ready/OKAY response is asserted during C2 for the first read access ($addr_x$). During C3, a request is generated for a write to $addr_y$, which is taken at the end of C3 because the second access is terminating.

Data for the $addr_z$ write cycle is driven in C4, the cycle after the access is taken, and a ready/OKAY response is signaled to complete the write cycle to $addr_z$.

Figure 7-8 shows another sequence of read and write cycles. This example shows an interleaved write access between two reads.

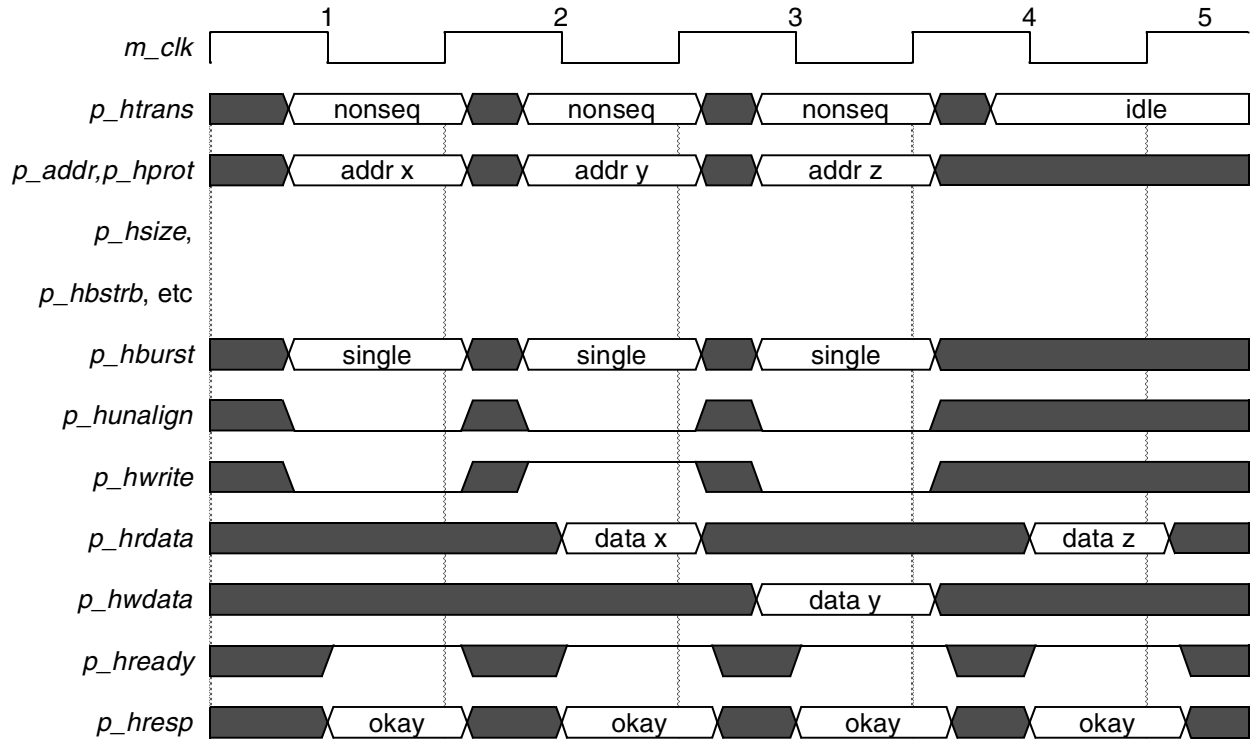


Figure 7-8. Single-Cycle Read, Write, Read—Full Pipelining

The first read request ($addr_x$) is taken at the end of cycle C1 because the bus is idle. The first write request ($addr_y$) is taken at the end of C2 because the first access is terminating ($addr_x$). Data for the $addr_y$ write cycle is driven in C3, the cycle after the access is taken. Also during C3, a request is generated for a read to $addr_z$, which is taken at the end of C3 because the write access is terminating.

During C4, the $addr_y$ write access is terminated, and no further access is requested.

Figure 7-9 shows another sequence of read and write cycles. In this example, reads incur a single wait state.

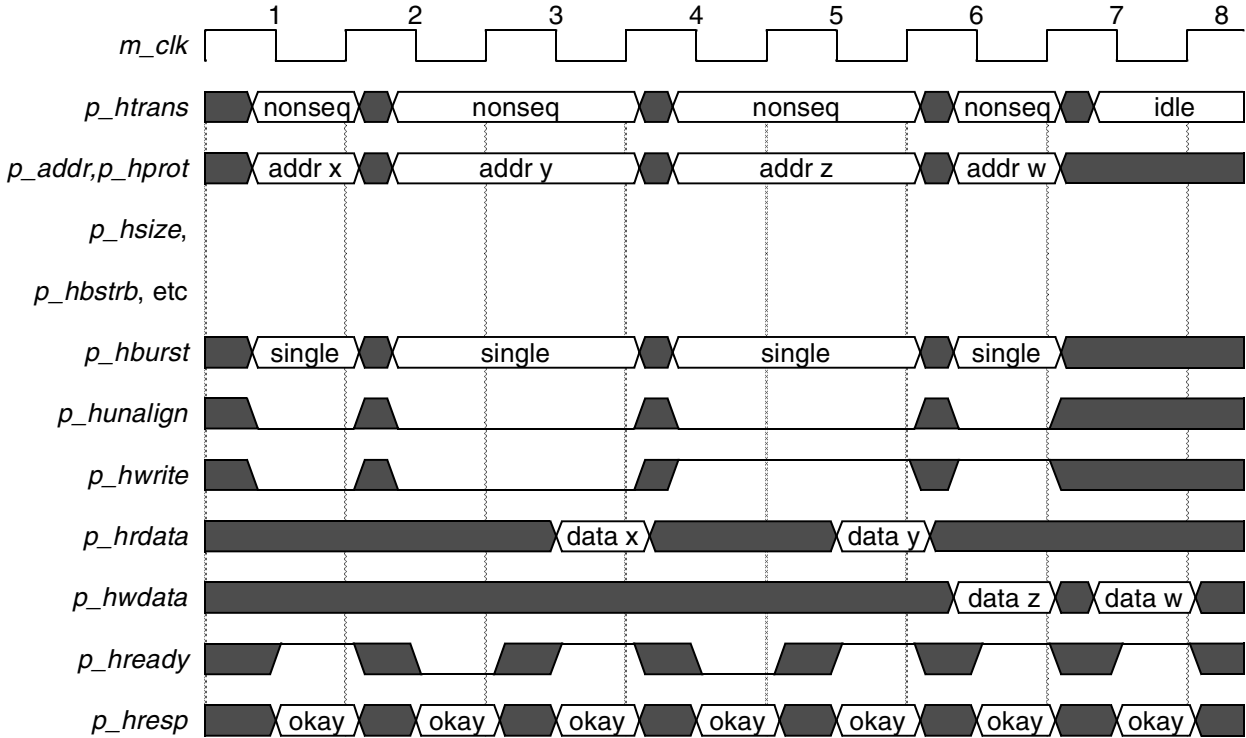


Figure 7-9. Multiple-Cycle Reads with Wait-State, Single-Cycle Writes, Full Pipelining

The first read request (addr_x) is taken at the end of cycle C1 because the bus is idle. The second read request (addr_y) is not taken at the end of cycle C2 because no ready response is signaled and only one access can be outstanding (addr_x). It is taken at the end of C3 once the first read request has signaled a ready/OKAY response.

The first write request (addr_z) is not taken during C4 because a ready response is not asserted during C4 for the second read access (addr_y). During C5, the request for a write to addr_z is taken because the second access is terminating.

Data for the addr_z write cycle is driven in C6, the cycle after the access is taken. During C6, the addr_z write access is terminated and the addr_w write request is taken.

During C7, data for the addr_w write access is driven, and a ready/OKAY response is asserted to complete the write cycle to addr_w.

Figure 7-10 shows another sequence of read and write cycles. In this example, reads incur a single wait state.

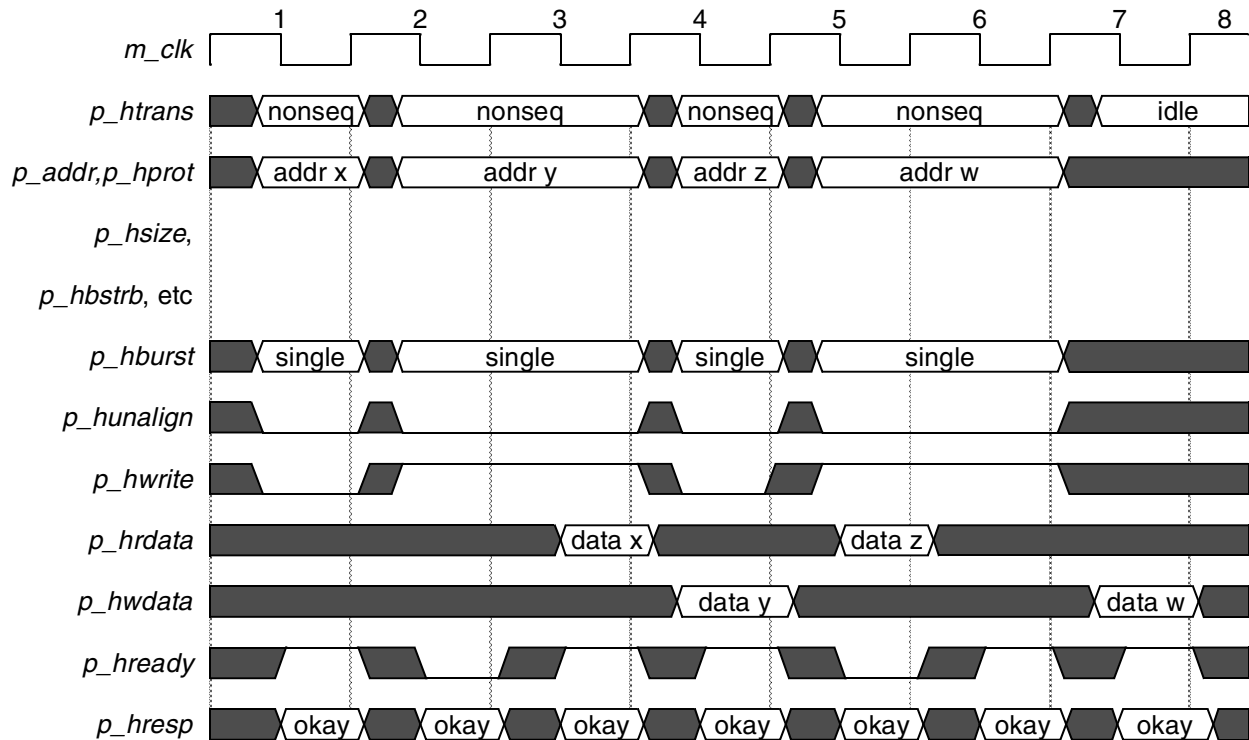


Figure 7-10. Multi-Cycle Read with Wait-State, Single-Cycle Write, Read with Wait-State, Single-Cycle Write, Full Pipelining

The first read request ($addr_x$) is taken at the end of cycle C1 because the bus is idle.

The first write request ($addr_y$) is not taken at the end of cycle C2 because no ready response is signaled and only one access can be outstanding ($addr_x$). It is taken at the end of C3 once the first read request has signaled a ready/OKAY response.

Data for the $addr_y$ write cycle is driven in C4, the cycle after the access is taken. The second read request ($addr_z$) is taken during C4 because the $addr_y$ write is terminating.

A second write request ($addr_w$) is not taken at the end of C5 because the second read access is not terminating, and it continues to drive the address and attributes into cycle C6. During C6, the $addr_z$ read access is terminated and the $addr_w$ write access is taken.

In cycle C7, data for the $addr_w$ write access is driven. During C7, a ready/OKAY response is asserted to complete the write cycle to $addr_w$. No further accesses are requested, so $p_{[d,i]}_htrans$ signals IDLE.

7.5.1.6 Misaligned Accesses

Figure 7-11 shows functional timing for a misaligned read transfer. The read to $addr_x$ is misaligned across a 64-bit boundary. Note that only half-word and word transfers may be misaligned; double-word transfers are always aligned.

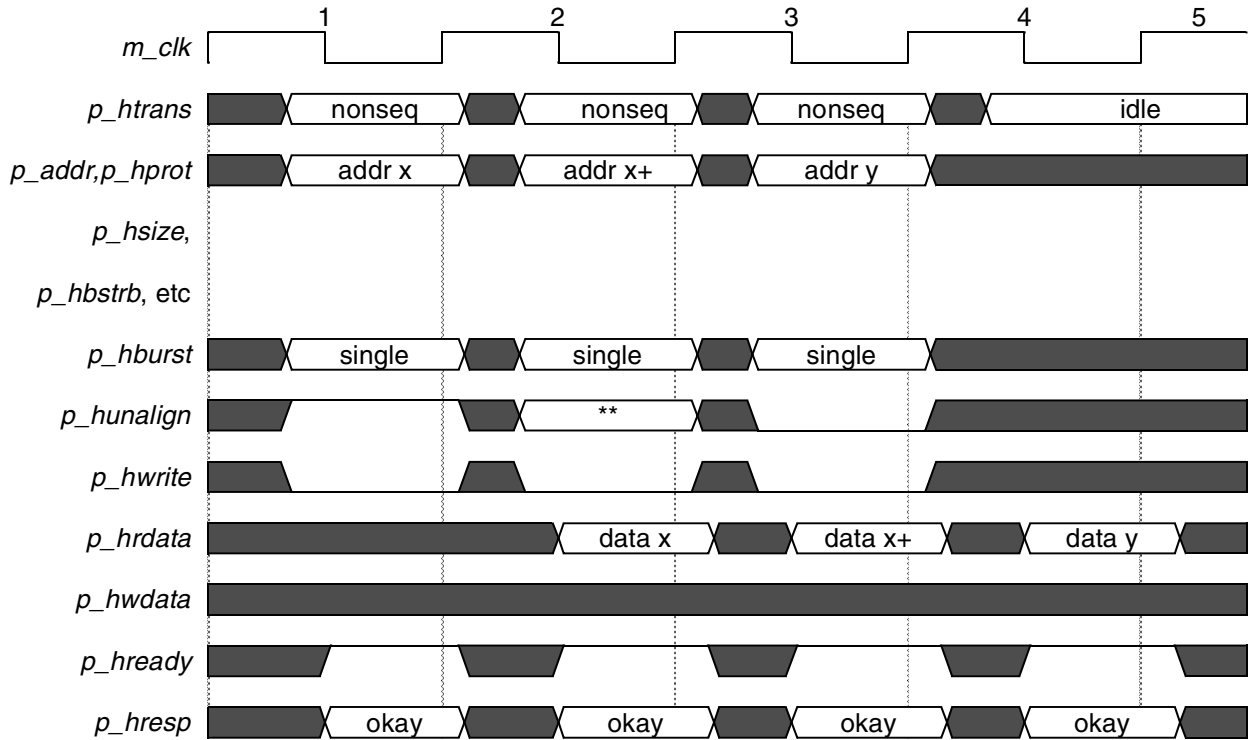


Figure 7-11. Misaligned Read, Read, Full Pipelining

The first portion of the misaligned read transfer starts in C1. During C1, the core places valid values on the address bus and transfer attributes. The $p_{[d,i]}_hwrite$ signal is driven low for a read cycle. The transfer size attributes ($p_{[d,i]}_hsize$) indicate the size of the transfer. Even though the transfer is misaligned, the size value driven corresponds to the size of the entire misaligned data item.

$p_{[d,i]}_hunalign$ is driven high to indicate that the access is misaligned. The $p_{[d,i]}_hbstrb$ outputs are asserted to indicate the active byte lanes for the read, which may not correspond to size and low-order address outputs. $p_{[d,i]}_htrans$ is driven to NONSEQ.

During C2, the $addr_x$ memory access takes place using the address and attribute values which were driven during C1 to enable reading of one or more bytes of memory.

The second portion of the misaligned read transfer request is made during C2 to $addr_{x+}$ (which is aligned to the next higher 64-bit boundary), and because the first portion of the misaligned access is completing, it is *taken* at the end of C2. The $p_{[d,i]}_htrans$ signals indicate NONSEQ. The size value driven is the size of the remaining bytes of data in the misaligned read, rounded up (for the 3-byte case) to the next higher power of 2. The $p_{[d,i]}_hbstrb$ signals indicate the active byte lanes. For the second portion of a misaligned transfer, $p_{[d,i]}_hunalign$ is driven high for the 3-byte case (low for all others). The next read access is requested in C3 and $p_{[d,i]}_htrans$ indicates NONSEQ. $p_{[d,i]}_hunalign$ is negated, because this access is aligned.

Figure 7-12 shows functional timing for a misaligned write transfer. The write to $addr_x$ is misaligned across a 64-bit boundary. Note that only half-word and word transfers may be misaligned; double-word transfers are always aligned.

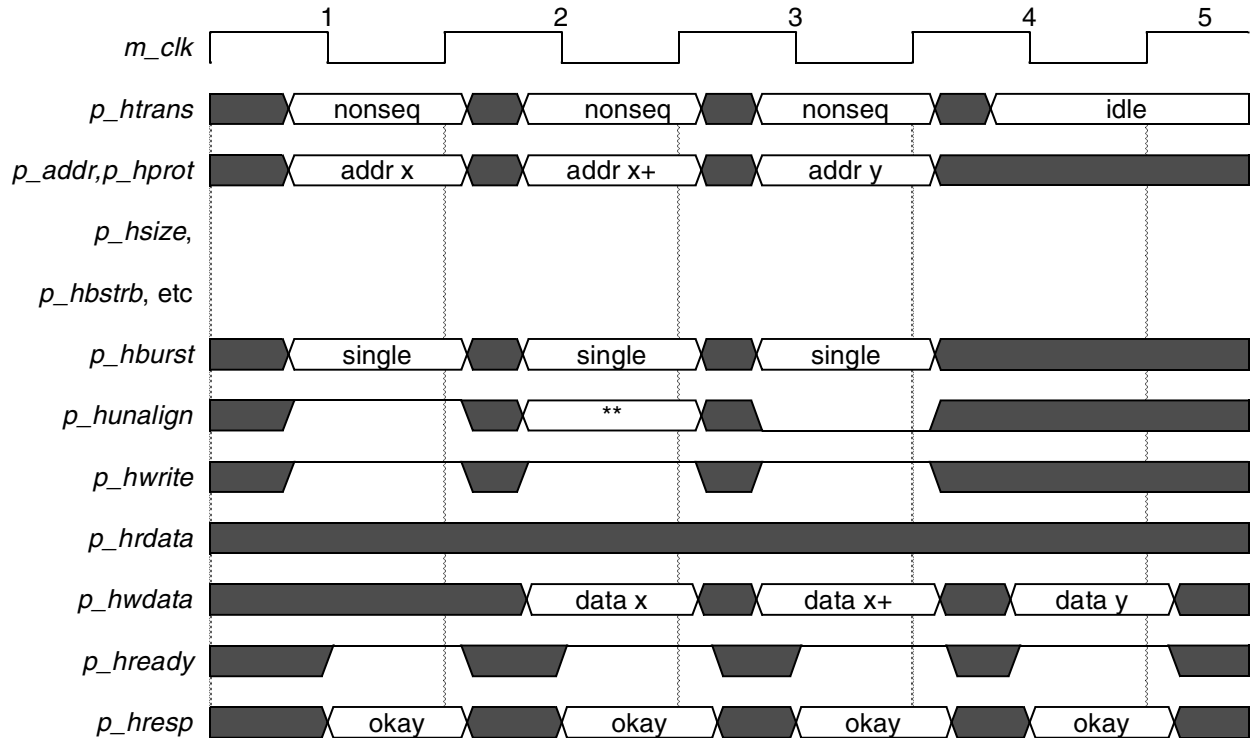


Figure 7-12. Misaligned Write, Write, Full Pipelining

The first portion of the misaligned write transfer starts in C1. During C1, the core places valid values on the address bus and transfer attributes. The $p_{[d,i]}_hwrite$ signal is driven high for a write cycle. The transfer size attribute ($p_{[d,i]}_hsize$) indicates the size of the transfer. Even though the transfer is misaligned, the size value driven corresponds to the size of the entire misaligned data item.

$p_{[d,i]}_hunalign$ is driven high to indicate that the access is misaligned. The $p_{[d,i]}_hbstrb$ outputs are asserted to indicate the active byte lanes for the write, which may not correspond to size and low-order address outputs. $p_{[d,i]}_htrans$ is driven to NONSEQ.

During C2, data for $addr_x$ is driven, and the $addr_x$ memory access takes place using the address and attribute values that were driven during C1 to enable writing of one or more bytes of memory.

The second portion of the misaligned write transfer request is made during C2 to $addr_{x+}$ (which is aligned to the next higher 64-bit boundary), and because the first portion of the misaligned access is completing, it is taken at the end of C2. The $p_{[d,i]}_htrans$ signals indicate NONSEQ. The size value driven is the size of the remaining bytes of data in the misaligned write, rounded up (for the 3-byte case) to the next higher power-of-2. The $p_{[d,i]}_hbstrb$ signals indicate the active byte lanes. For the second portion of a misaligned transfer, $p_{[d,i]}_hunalign$ is driven high for the 3-byte case (low for all others).

The next write access is requested in C3 and $p_{[d,i]}_htrans$ indicates NONSEQ. $p_{[d,i]}_hunalign$ is negated, because this access is aligned.

An example of a misaligned write cycle followed by an aligned read cycle is shown in [Figure 7-13](#). It is similar to the example in [Figure 7-12](#).

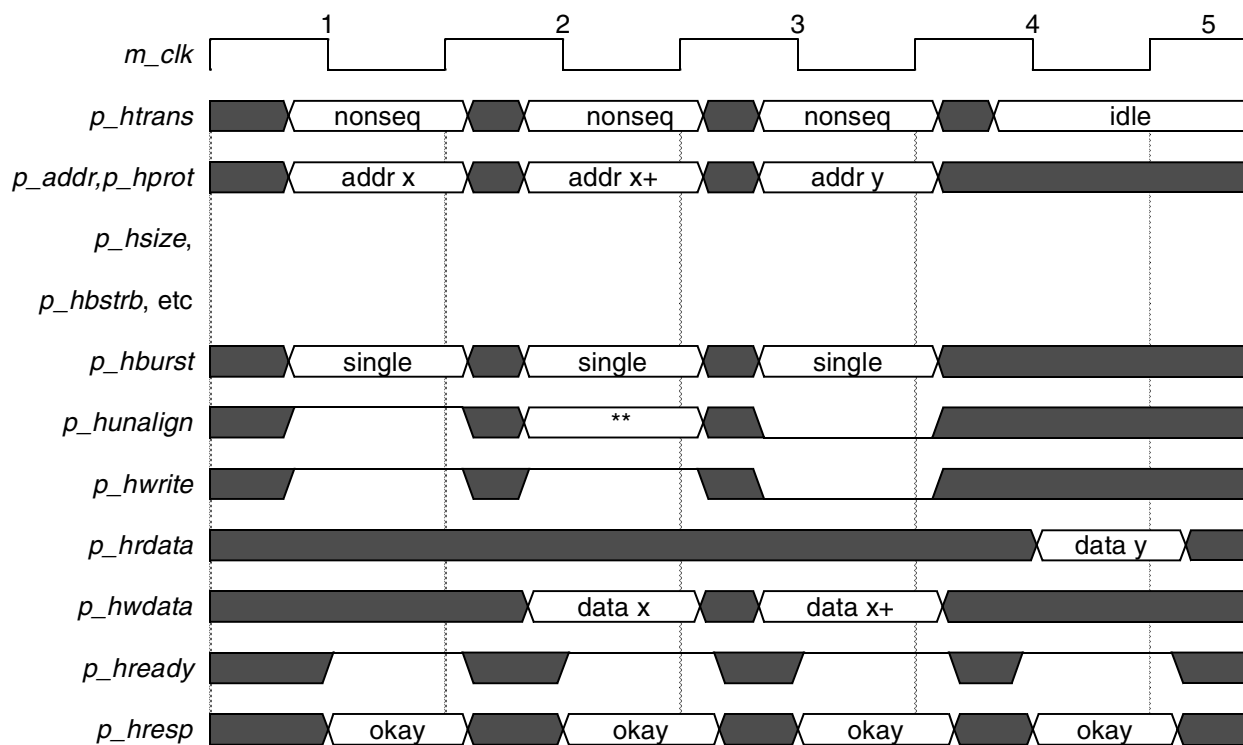


Figure 7-13. Misaligned Write, Single Cycle Read Transfer, Full Pipelining

7.5.2 Burst Accesses

Figure 7-14 shows functional timing for a burst read transfer.

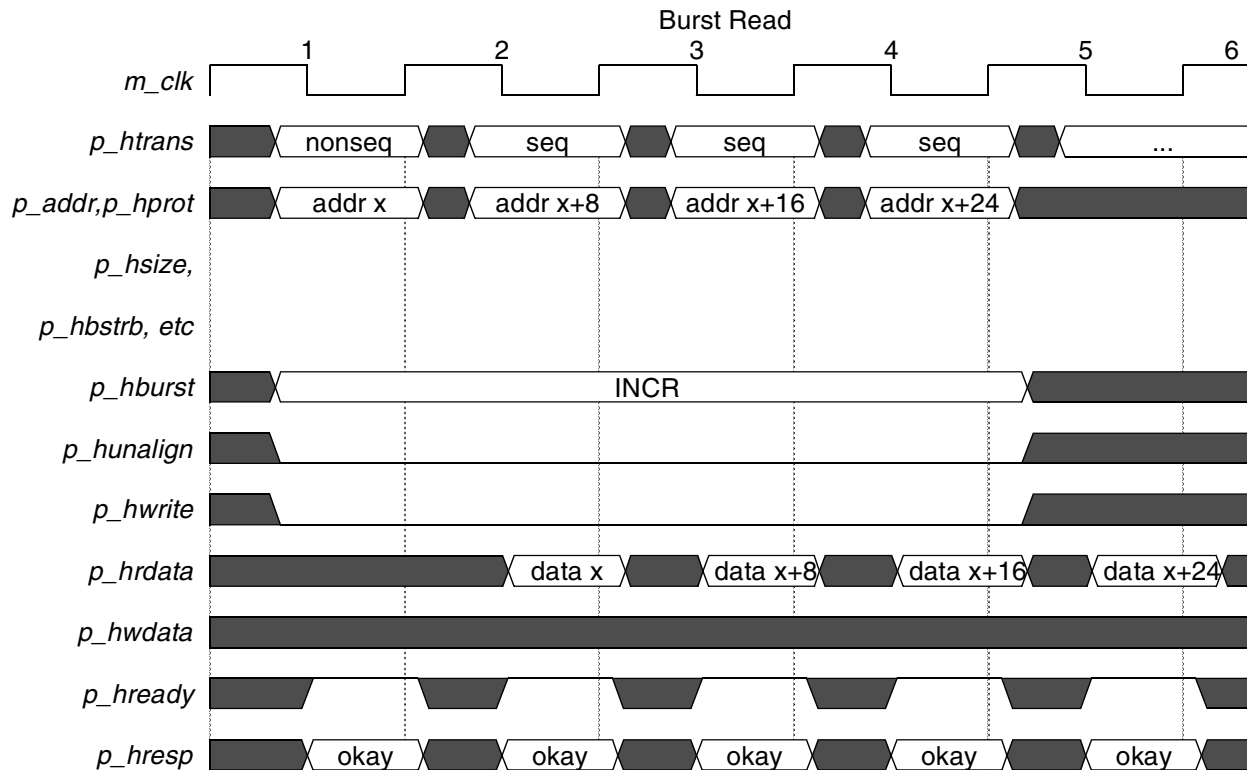


Figure 7-14. Burst Read Transfer

The $p_{[d,i]}_hburst$ signals indicate INCR for all burst transfers. The $p_{[d,i]}_hunalign$ signal is negated. $p_{[d,i]}_hsize$ indicates 64-bits, and all eight $p_{[d,i]}_hbstrb$ signals are asserted. The burst address is aligned to a 64-bit boundary and increments by double words. Note that in this example four beats are shown, but in operation the burst may be of any length including only a single beat.

NOTE

Bursts can be interrupted immediately at any time and can be followed by any type of cycle. No idle cycle is required.

Figure 7-15 shows functional timing for a burst read with wait-state transfer.

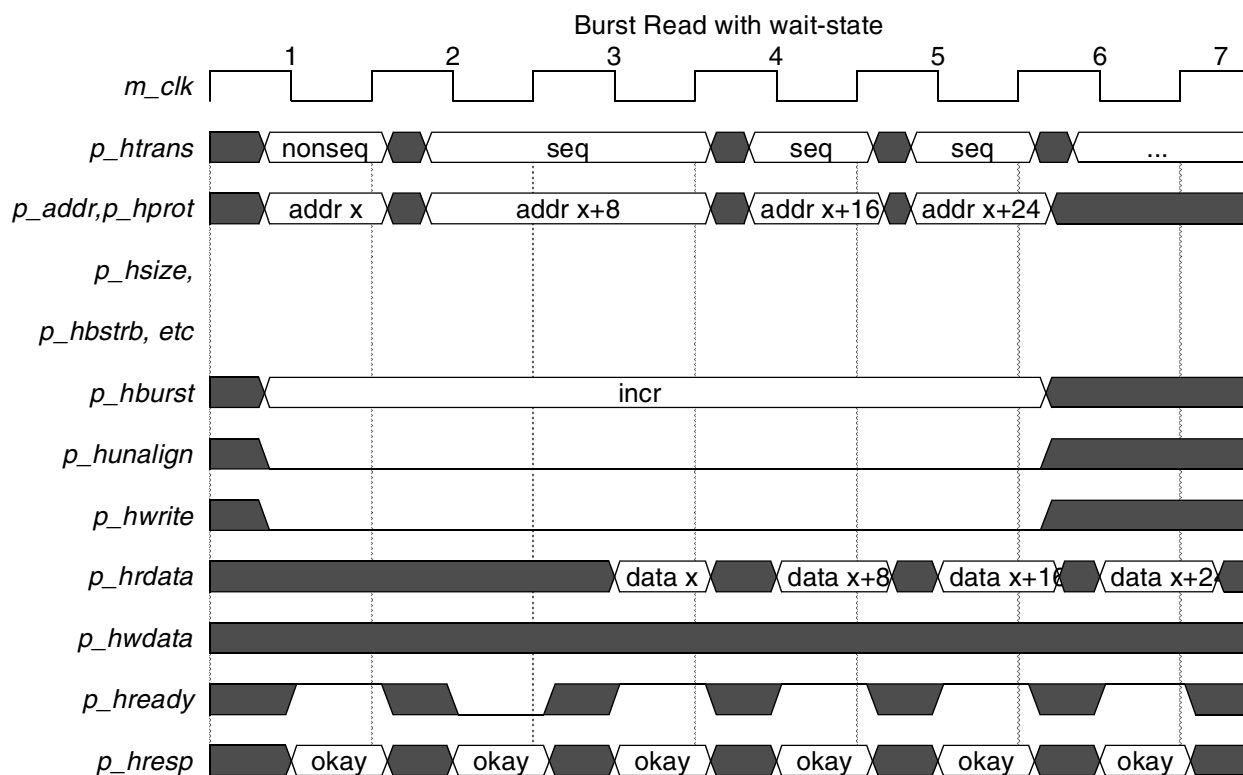


Figure 7-15. Burst Read with Wait-state Transfer

The first cycle of the burst incurs a single wait-state.

Figure 7-16 shows functional timing for a burst write transfer.

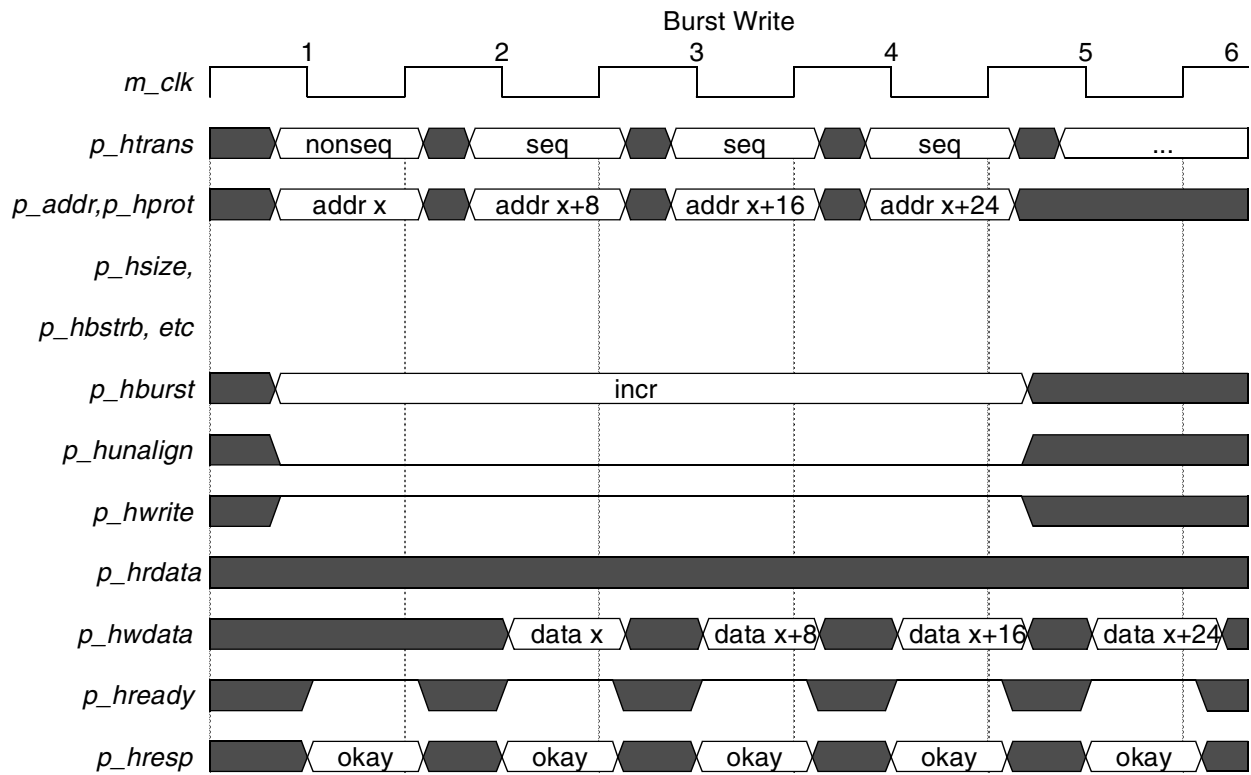


Figure 7-16. Burst Write Transfer

Figure 7-15 shows functional timing for a burst write with wait-state transfer.

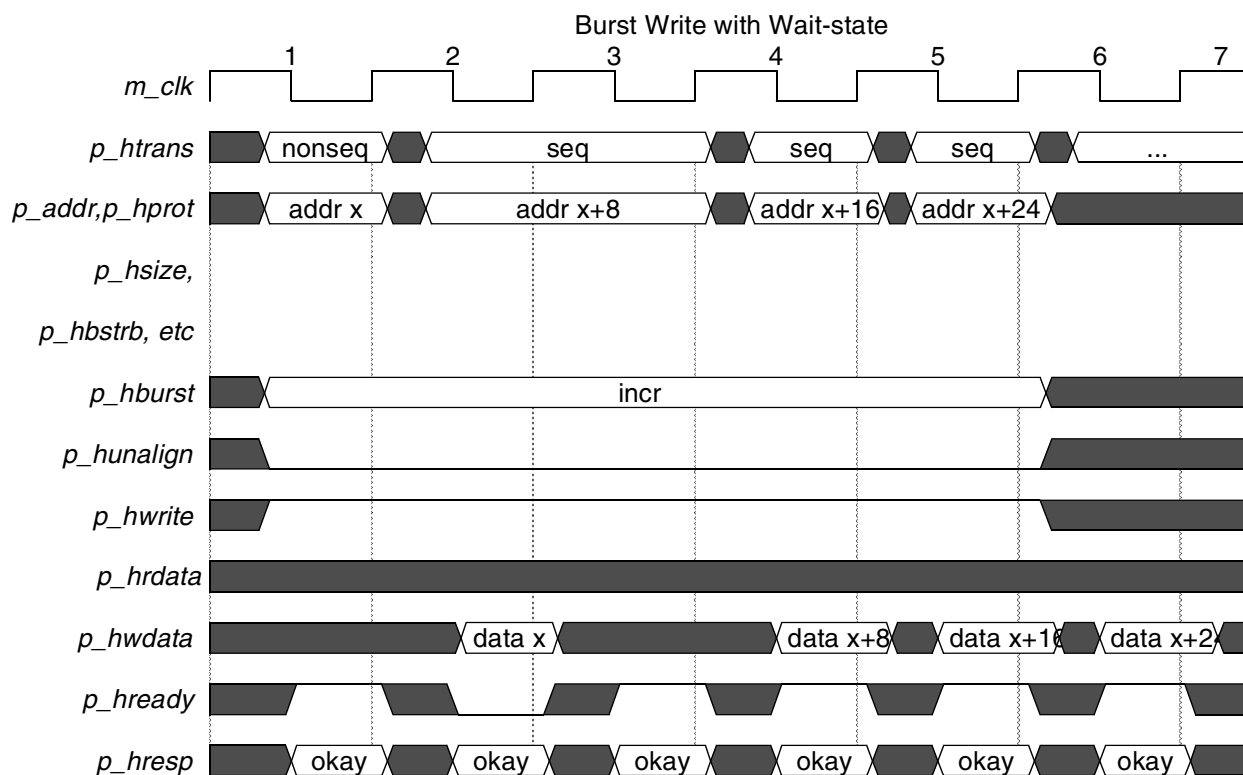


Figure 7-17. Burst Write with Wait-State Transfer

The first cycle of the burst incurs a single wait-state. Data for the second beat of the burst is valid the cycle after the second beat is *taken*.

Figure 7-18 shows functional timing for a pair of burst read transfers.

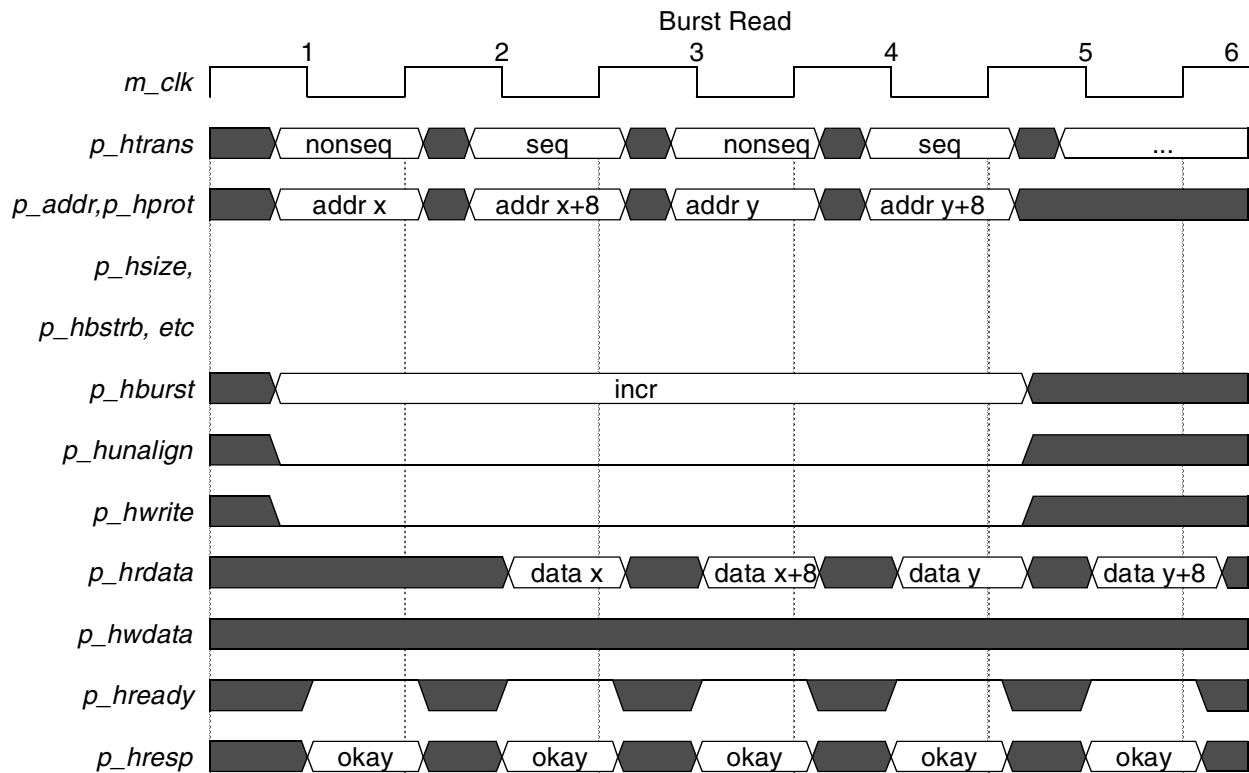


Figure 7-18. Burst Read Transfers

Note that in this example the first burst is two beats long and is followed immediately by a second burst which is unrelated to the first.

NOTE

Bursts may be of any length (including a single beat) and may be followed immediately by any type of transfer. No idle cycles are required.

Figure 7-19 shows functional timing for a burst read with wait-state transfer where the second beat to addr x+8 is retracted and replaced with a new burst transfer.

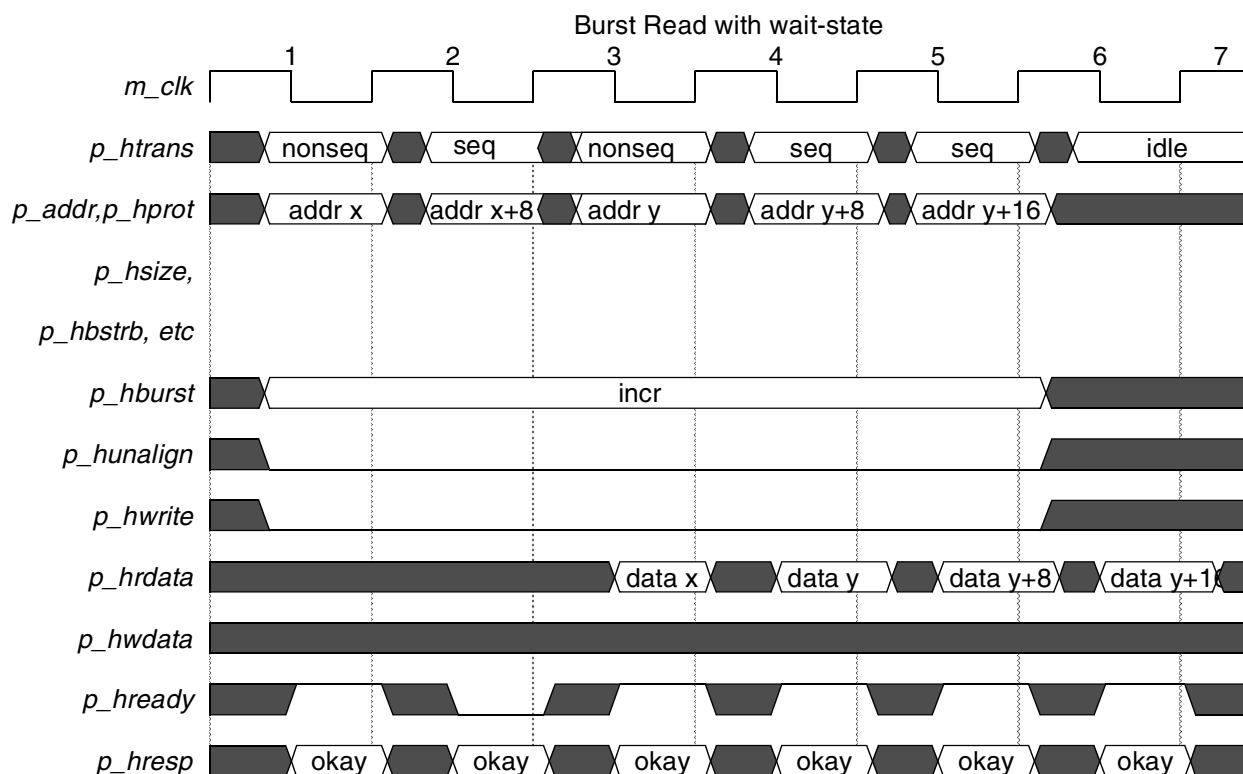


Figure 7-19. Burst Read with Wait-State Transfer, Retraction

The first cycle of the burst incurs a single wait state, and the burst is replaced by another burst.

Figure 7-20 shows functional timing for a burst write transfer. The second burst is only one beat long.

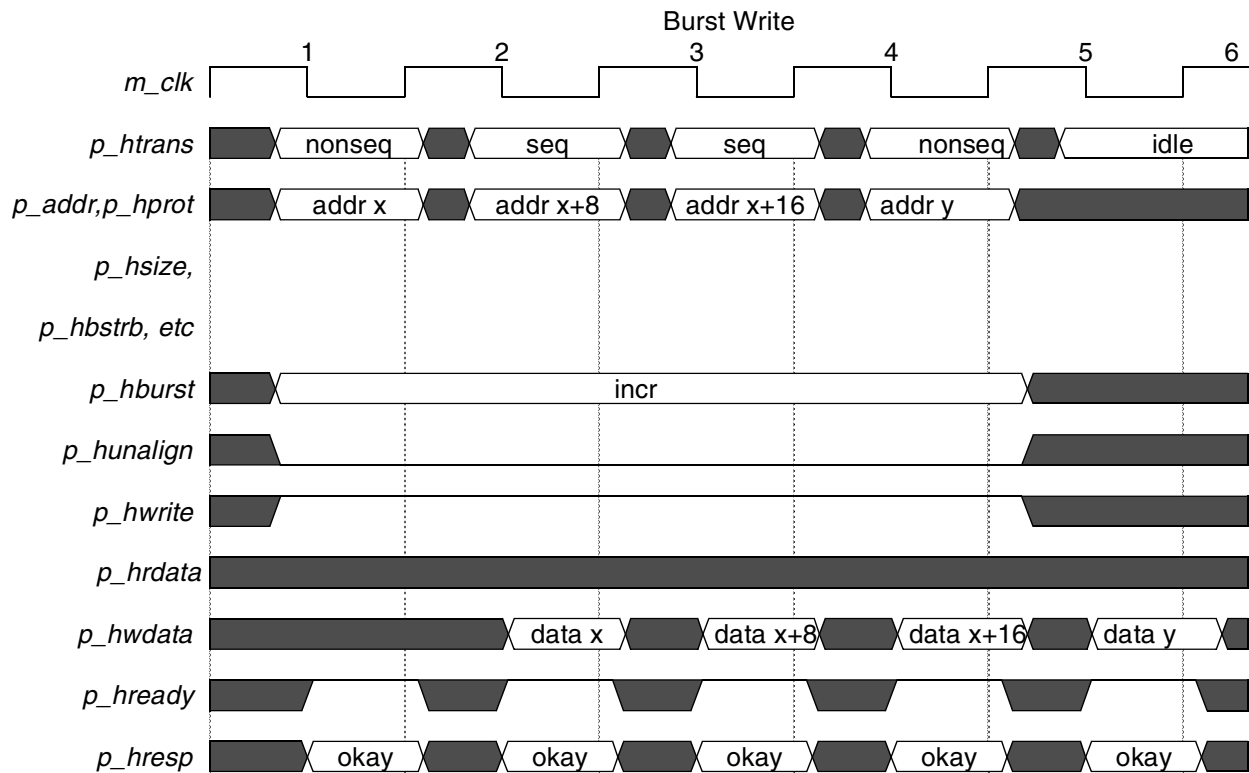


Figure 7-20. Burst Write Transfers, Single-Beat burst

This same scenario can occur for read bursts as well.

7.5.3 Address Retraction

Address retraction is the process of replacing a request with a new unrelated one. Although the AMBA AHB protocol requires an access request to remain driven unchanged once presented on the bus, higher system performance may be obtained if this aspect of the protocol is modified to allow an access request to be changed before being taken. Figure 7-27 shows an example of address retraction during wait state operation. Signal $p_{[d,i]}hready$ for the first request ($addr_x$) is not asserted during C2, so a wait state is inserted during C3 until $p_{[d,i]}hready$ is recognized.

Meanwhile, a subsequent request has been generated by the CPU for $addr_y$ which is not taken in C2 since the previous transaction is still outstanding. The address and transfer attributes are retracted in cycle C3, and a new access request to $addr_z$ is requested and are taken at the end of C3 because the previous access is completing. Data for $addr_x$ and a ready/OKAY response is driven back by the slave device. In cycle C4, a request for $addr_w$ is made. The request for access to $addr_w$ is taken at the end of C4; during C5, the data and a ready/OKAY response is provided by the slave device. In cycle C5, no further accesses are requested.

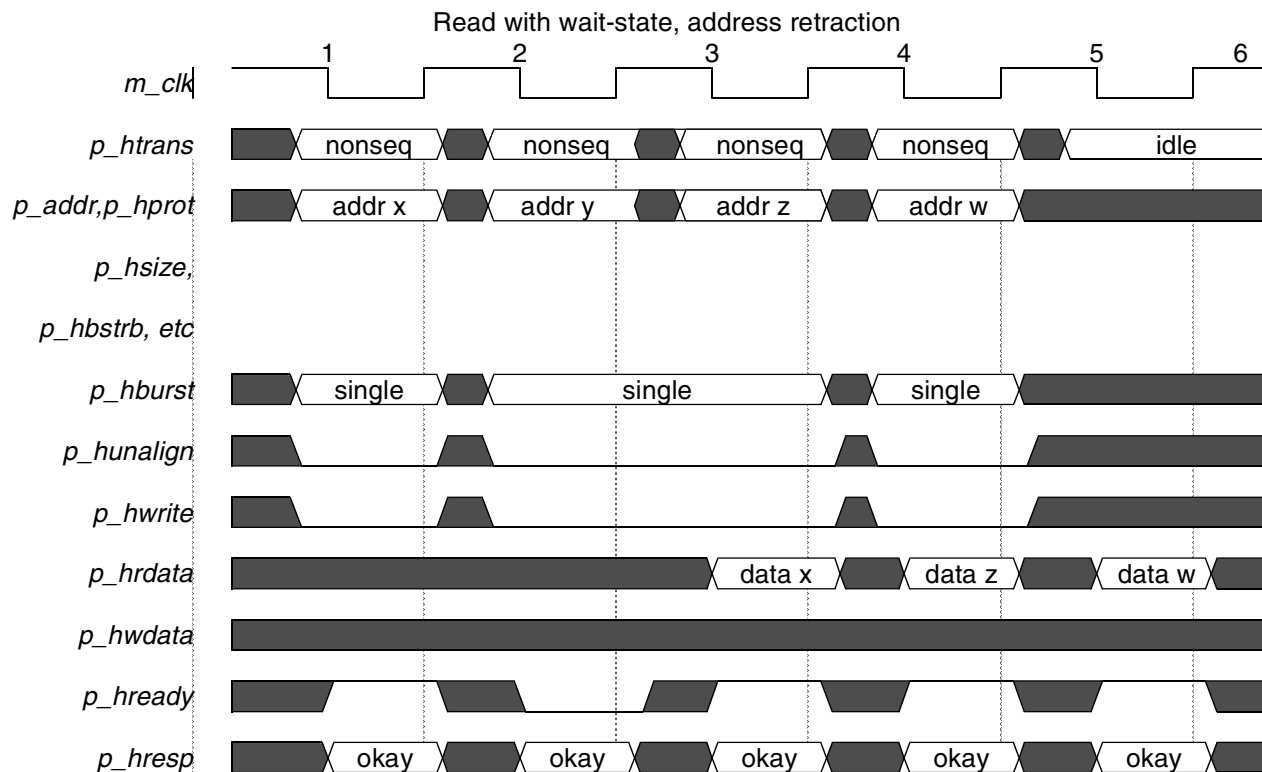


Figure 7-21. Read Transfer with Wait-State, Address Retraction

Figure 7-28 shows functional timing for a burst read with wait-state transfer where the second beat to addr x+8 is retracted and replaced with a new burst transfer.

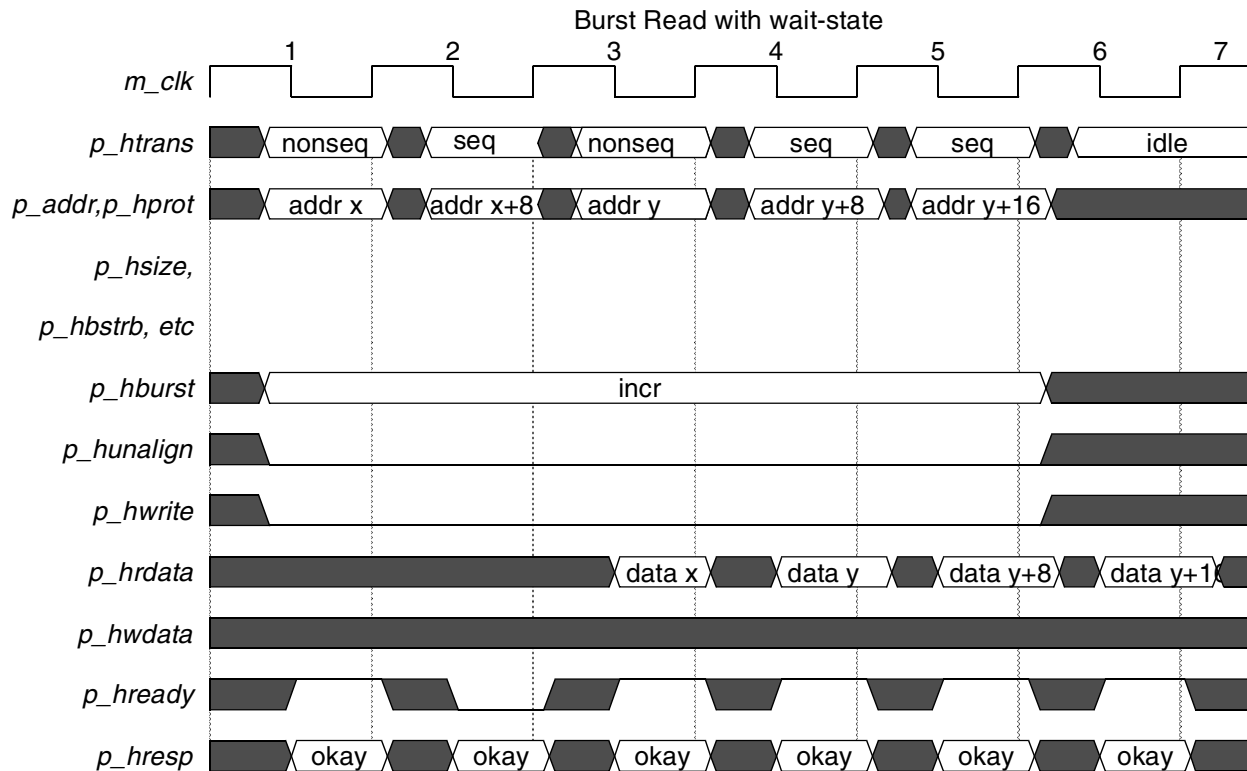


Figure 7-22. Burst Read with Wait-State Transfer, Retraction

The first cycle of the burst incurs a single wait-state, and the burst is replaced by another burst. Replacement by a single access is also possible.

Address retraction does not occur on a requested write cycle, only on read cycles. It also may occur any time during a burst cycle.

7.5.3.1 Error Termination Operation

The $p_{[d,i]}_hresp[2:0]$ inputs signal an error termination for an access in progress. The ERROR encoding is used with the assertion of $p_{[d,i]}_hready$ to terminate a cycle with error. Error termination is a two-cycle termination; the first cycle consists of signaling the ERROR response on $p_{[d,i]}_hresp[2:0]$ while holding $p_{[d,i]}_hready$ negated, and during the second cycle, asserting $p_{[d,i]}_hready$ while continuing to drive the ERROR response on $p_{[d,i]}_hresp[2:0]$. This 2-cycle termination allows the BIU to retract a pending access if it desires to do so. $p_{[d,i]}_htrans$ may be driven to IDLE during the second cycle of the two-cycle error response, or may change to any other value, and a new access unrelated to the pending access may be requested. The cycle that may have been previously pending while waiting for a response that terminates with error may be changed. It is not required to remain unchanged when an error response is received.

Figure 7-23 shows an example of error termination.

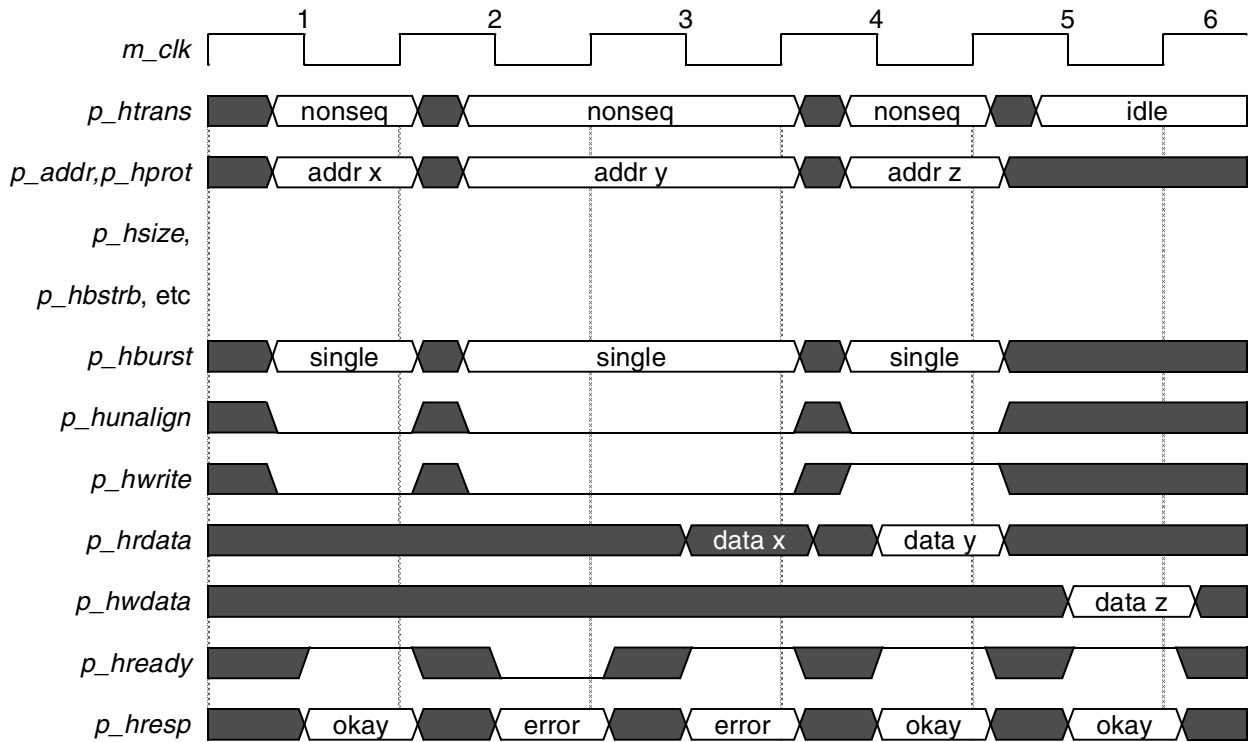


Figure 7-23. Read and Write Transfers: Instruction Read with Error, Data Read, Write, Full Pipelining

The first read request (addr_x) is taken at the end of cycle C1 because the bus is idle. It is an instruction prefetch.

The second read request (addr_y) is not taken at the end of C2 because the first access is still outstanding (no *p_[d,i]_hready* assertion). An error response is signaled by the addressed slave for addr_x by driving ERROR onto the *p_[d,i]_hresp[2:0]* inputs. This is the first cycle of the two cycle error response protocol.

p_[d,i]_hready is asserted during C3 for the first read access (addr_x) while the ERROR encoding remains driven on *p_[d,i]_hresp[2:0]*, terminating the access. The read data bus is undefined.

In this example of error termination, the CPU continues to request an access to addr_y. It is taken at the end of C3. During C4, read data is supplied for the addr_y read, and the access is terminated normally during C4.

Also during C4, a request is generated for a write to addr_z, which is taken at the end of C4 because the second access is terminating.

Data for the addr_z write cycle is driven in C5, the cycle after the access is *taken*.

During C5, a ready/OKAY response is signaled to complete the write cycle to addr_z.

In this example of error termination, a subsequent access remained requested. This does not always occur when certain types of transfers are terminated with error. The following figures outline cases where an error termination for a given cycle causes a pending request to be aborted prior to initiation.

Figure 7-24 shows another example of error termination.

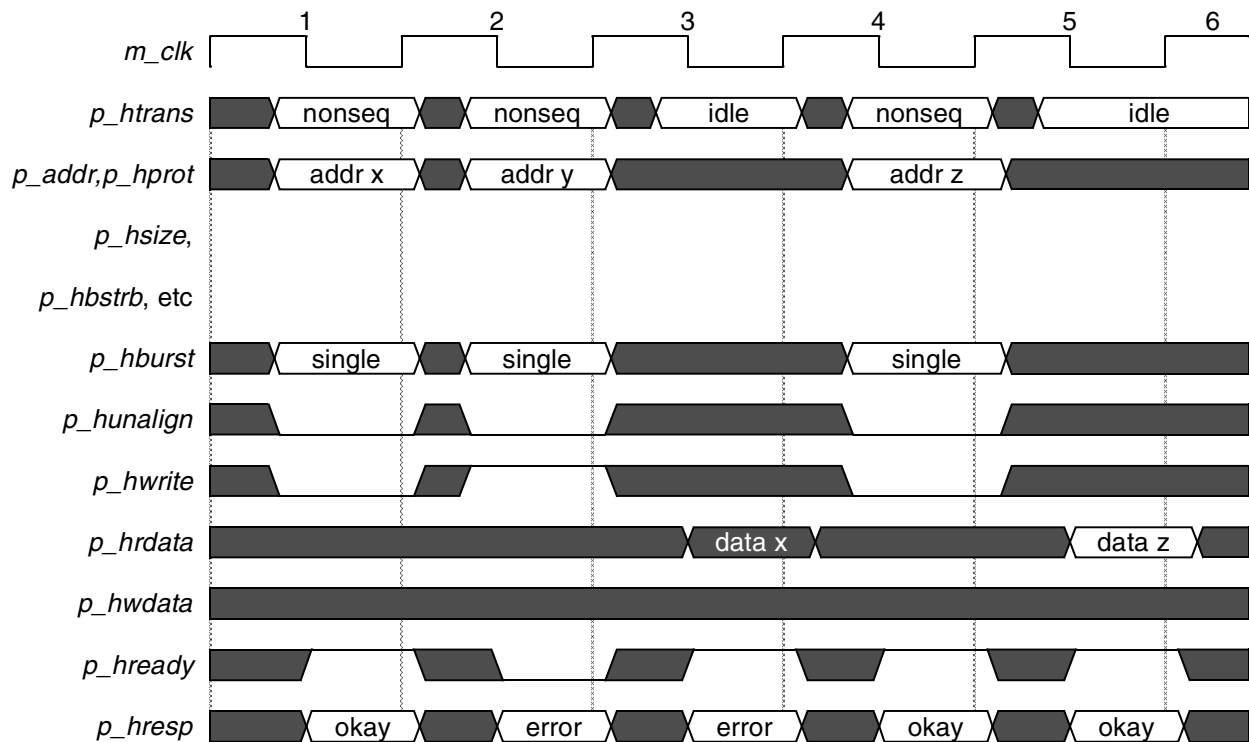


Figure 7-24. Data Read with Error, Data Write Retracted, Instruction Read, Full Pipelining

The first read request (addr_x) is *taken* at the end of cycle C1 because the bus is idle. It is a data read.

The second request (write to addr_y) is not *taken* at the end of C2 because the first access is still outstanding (no $p_{[d,i]}_hready$ assertion). An error response is signaled by the addressed slave for addr_x by driving ERROR onto the $p_{[d,i]}_hresp[2:0]$ inputs. This is the first cycle of the two cycle error response protocol.

$p_{[d,i]}_hready$ is asserted during C3 for the first read access (addr_x) while the ERROR encoding remains driven on $p_{[d,i]}_hresp[2:0]$, terminating the access. The read data bus is undefined.

In this example of error termination, the CPU retracts the requested access to addr_y by driving $p_{[d,i]}_htrans$ signals to the IDLE state during the second cycle of the two-cycle error response.

A different access to addr_z is requested during C4 and is taken at the end of C4. During C5, read data is supplied for the addr_z read, and the access is terminated normally.

In this example of error termination, a subsequent access was aborted.

Figure 7-25 shows another example of error termination, this time on the initial portion of a misaligned write.

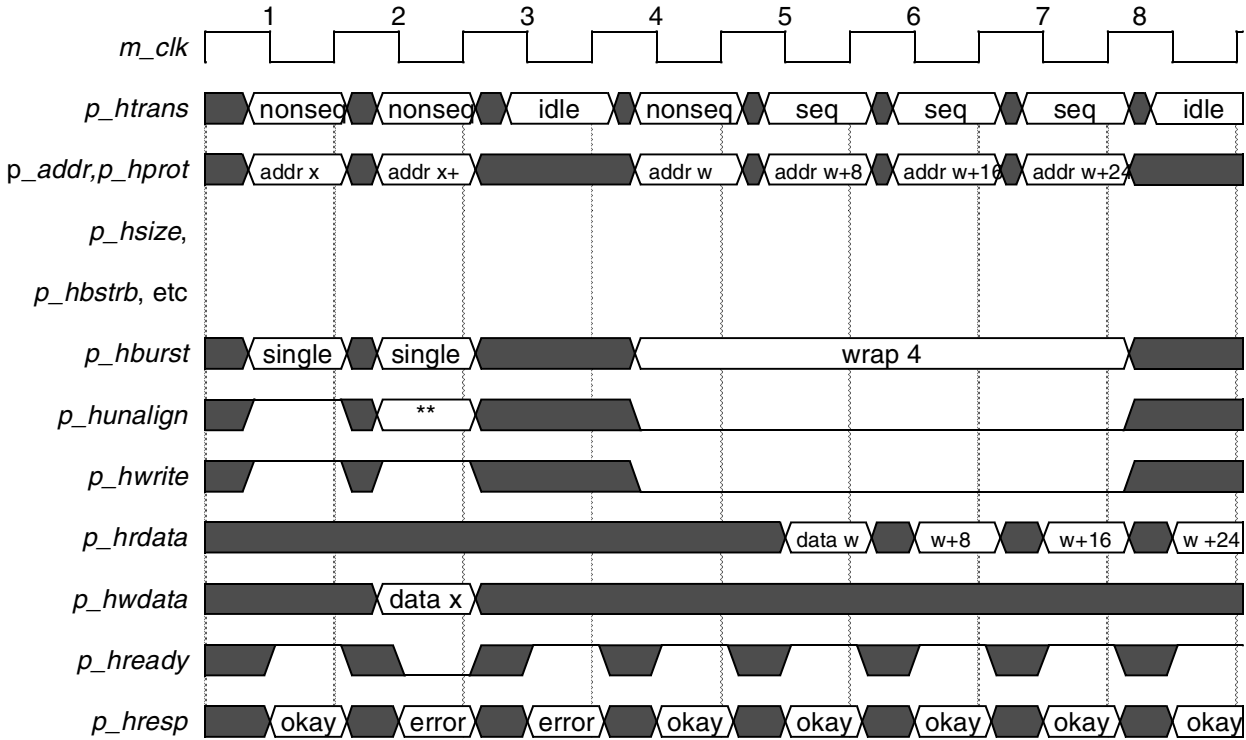


Figure 7-25. Misaligned Write with Error, Data Write Retracted, Burst Read Substituted, Full Pipelining

The first portion of the misaligned write request is terminated with error. The second portion is aborted by the CPU during the second cycle of the two cycle error response, and a subsequent burst read access to $addr_w$ becomes pending instead.

Figure 7-26 shows another example of error termination, this time on the initial portion of a burst read. The aborted burst is followed by a burst write.

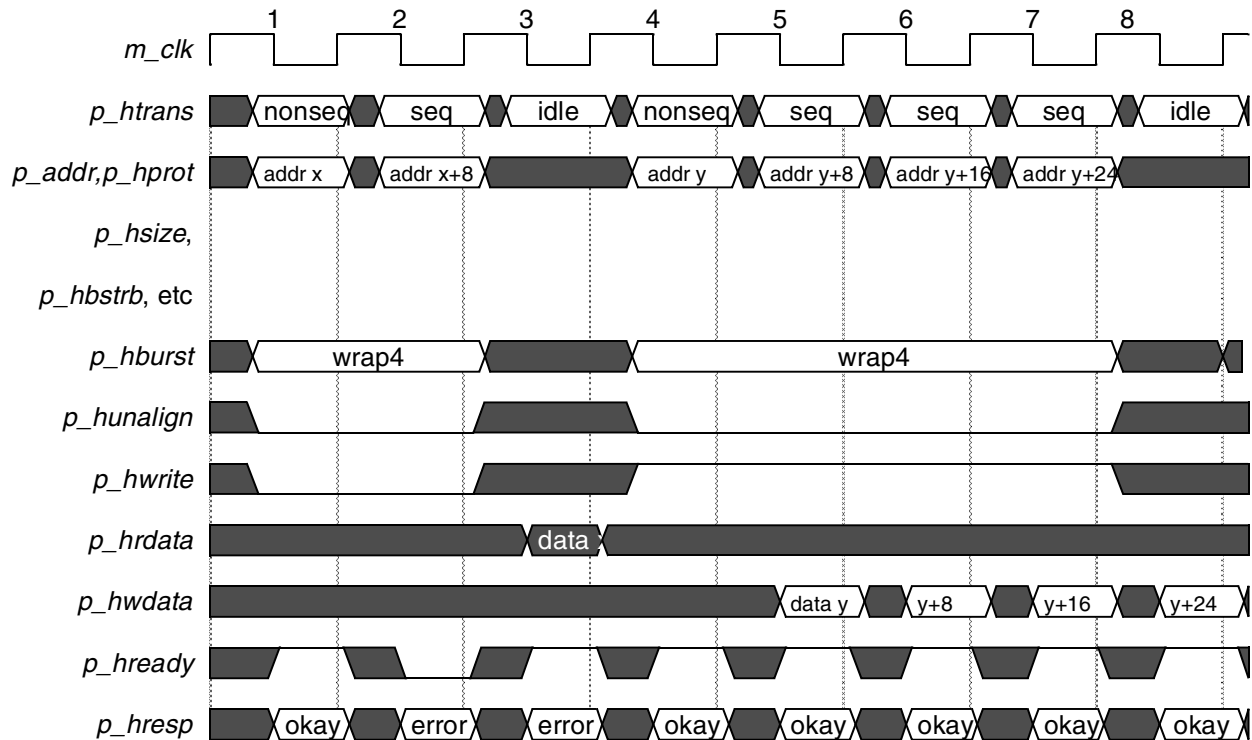


Figure 7-26. Burst Read with Error Termination, Burst Write

The first portion of the burst read request is terminated with error. The second portion is aborted by the CPU during the second cycle of the two cycle error response, and a subsequent burst write access to addr_y becomes pending instead.

7.5.4 Address Retraction

Address retraction is the process of replacing a request with a new unrelated one. Although the AMBA AHB protocol requires an access request to remain driven unchanged once presented on the bus, higher system performance may be obtained if this aspect of the protocol is modified to allow an access request to be changed before being taken. [Figure 7-27](#) shows an example of address retraction during wait state operation. Signal p_hready for the first request (addr_x) is not asserted during C2, so a wait state is inserted during C3 until p_hready is recognized.

Meanwhile, a subsequent request has been generated by the CPU for addr_y which is not taken in C2 since the previous transaction is still outstanding. The address and transfer attributes are retracted in cycle C3, and a new access to addr_z is requested and made at the end of C3 because the previous access is completing. Data for addr_x and a ready/OKAY response are driven back by the slave device. In cycle C4, a request for addr_w is made. The request for access to addr_w is taken at the end of C4; during C5, the data and a ready/OKAY response are provided by the slave device. In cycle C5, no further accesses are requested.

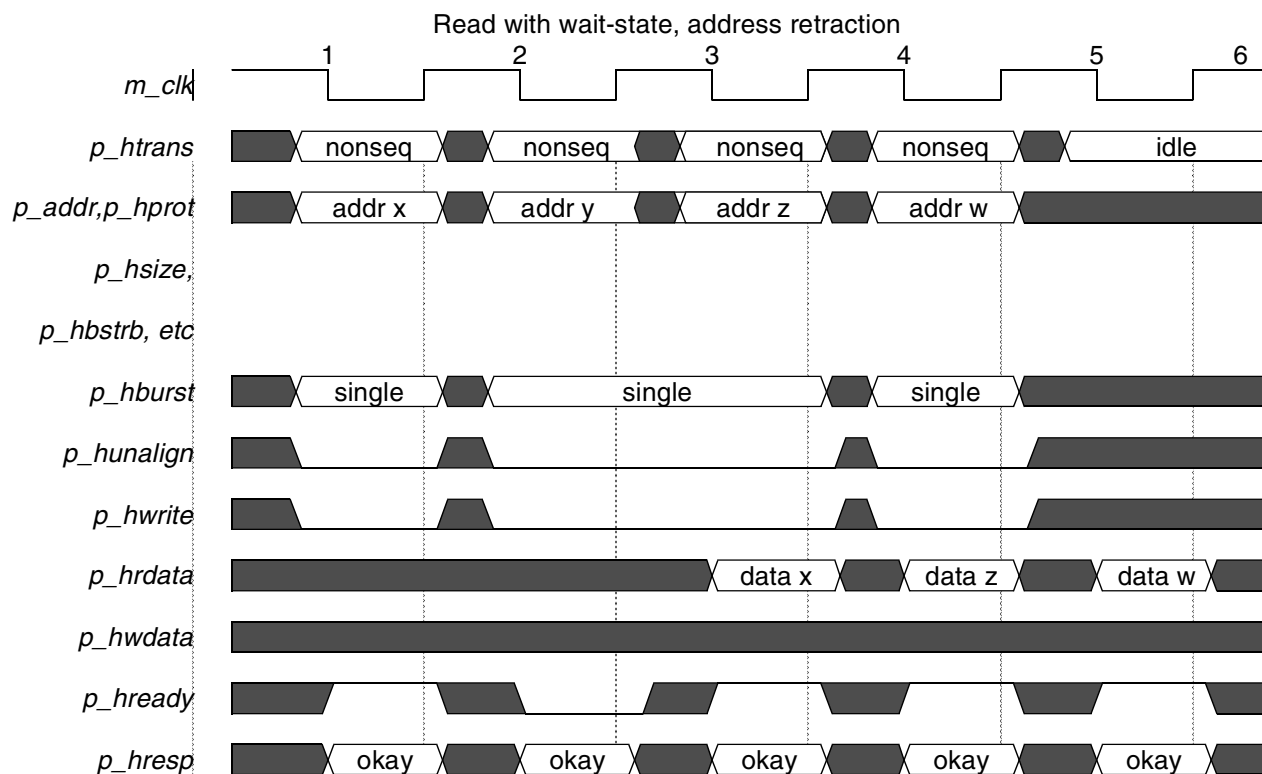


Figure 7-27. Read Transfer with Wait-State, Address Retraction

Figure 7-28 shows functional timing for a burst read with wait-state transfer where the second beat to addr x+8 is retracted and replaced with a new burst transfer.

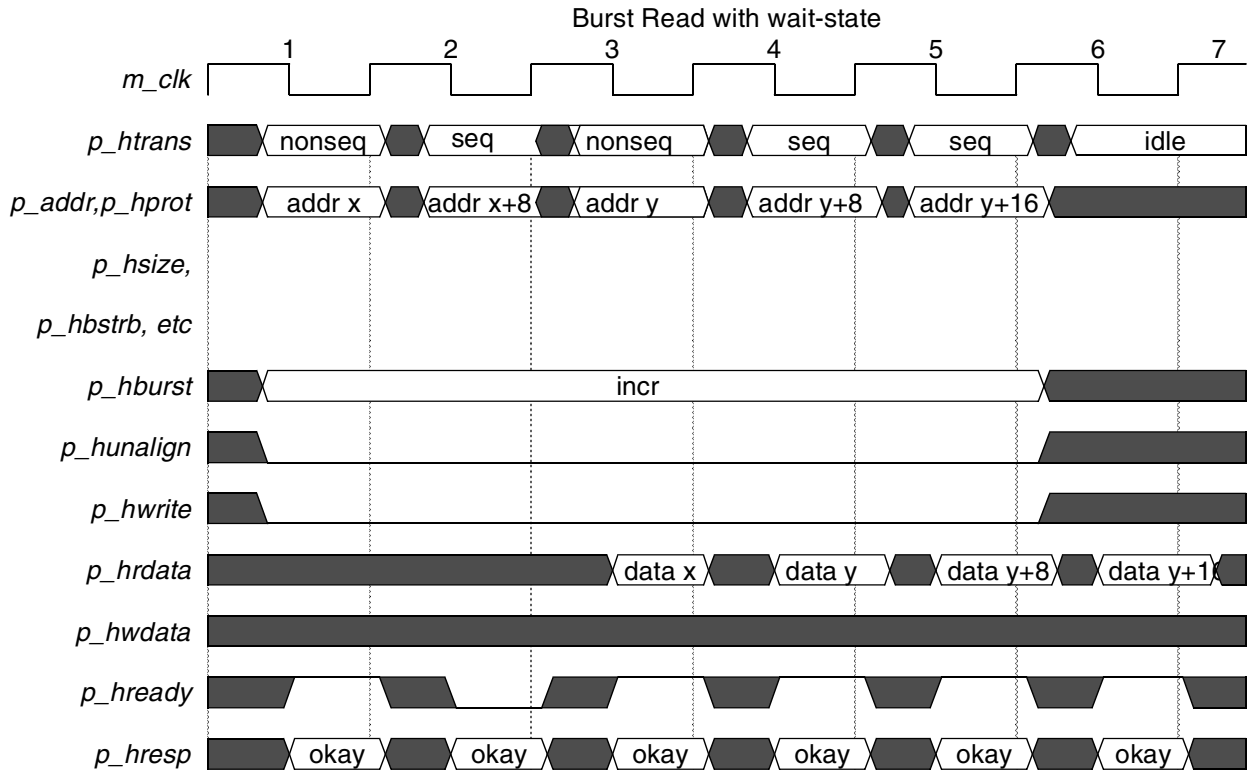


Figure 7-28. Burst Read with Wait-State Transfer, Retraction

The first cycle of the burst incurs a single wait-state, and the burst is replaced by another burst. Replacement by a single access is also possible.

Address retraction does not occur on a requested write cycle, only on read cycles. It also may occur any time during a burst cycle.

7.5.5 Power Management

Figure 7-29 shows the relationship of the wake-up control signal *p_wakeup* to the relevant input signals.

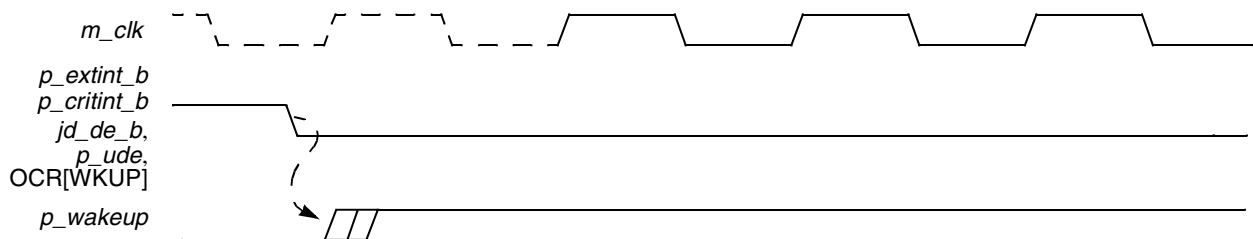


Figure 7-29. Wakeup Control Signal (*p_wakeup*)

7.5.6 Interrupt Interface

Figure 7-30 shows the relationship of the interrupt input signals to the CPU clock. The *p_avec_b*, *p_extint_b*, *p_critint_b*, and *p_voffset[0:15]* inputs must meet setup and hold timing relative to the rising edge of *m_clk*. In addition, during each clock cycle in which either *p_extint_b* or *p_critint_b* is asserted, *p_avec_b* and *p_voffset[0:15]* are required to be in a valid state for the highest priority interrupt requested.

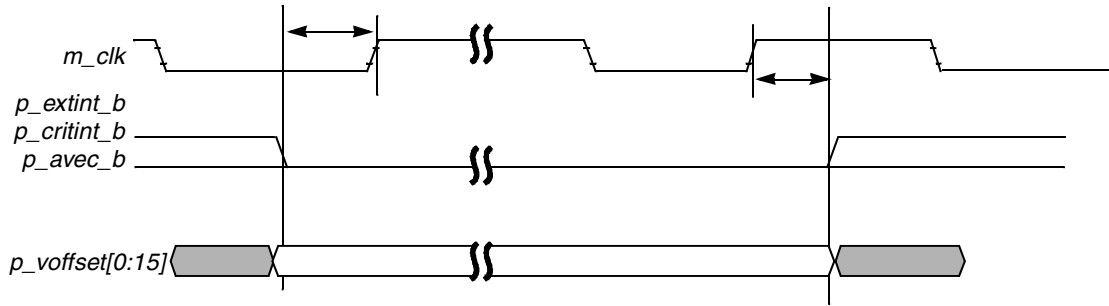


Figure 7-30. Interrupt Interface Input Signals

Figure 7-31 shows the relationship between *p_ipend* and the interrupt request inputs. Note that *p_ipend* is asserted combinationally from the *p_extint_b* and *p_critint_b* inputs.

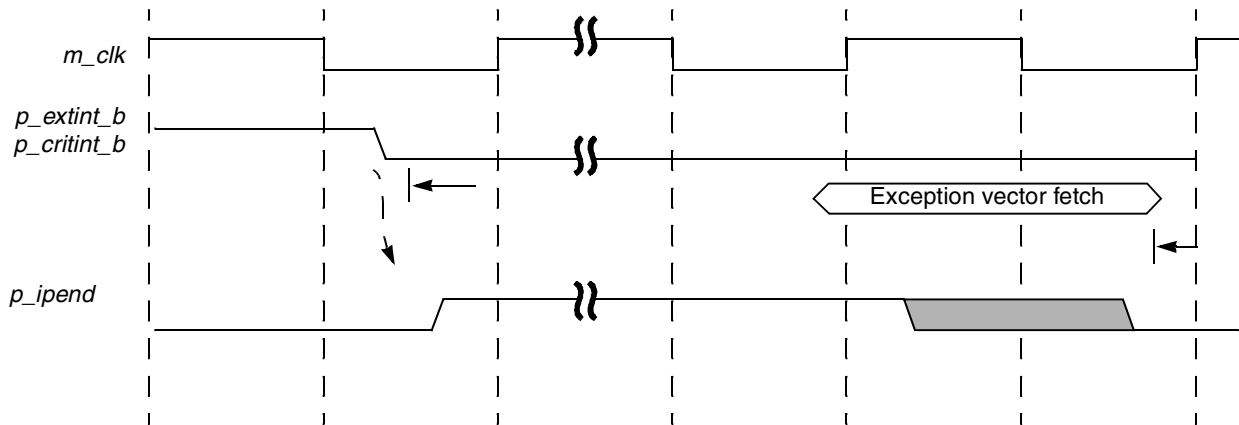


Figure 7-31. Interrupt Pending Operation

Figure 7-32 shows the relationships among p_iack , the interrupt request inputs, and exception vector fetching.

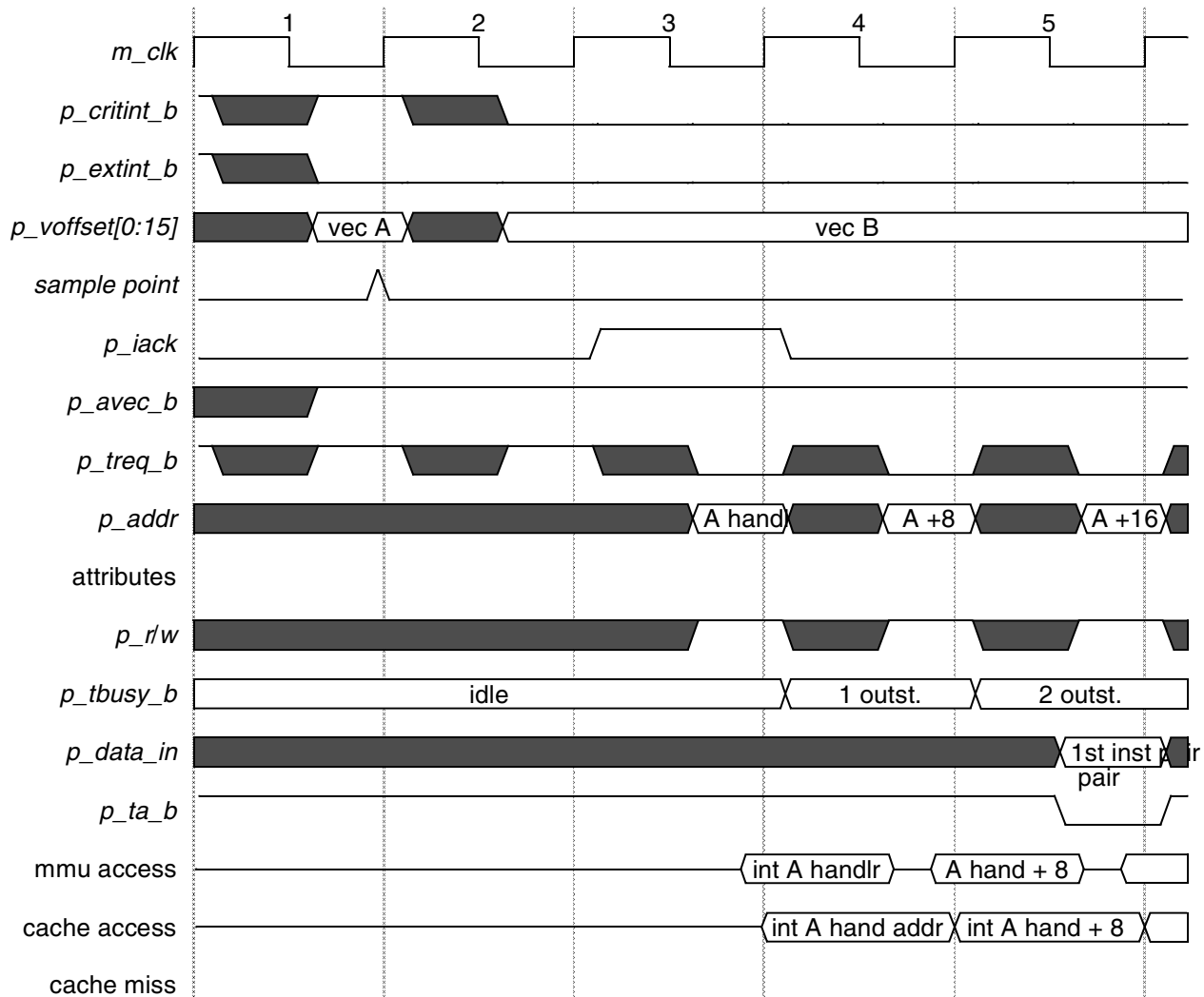


Figure 7-32. Interrupt Acknowledge Operation Case 1

In this example, an external input interrupt is requested in cycle 1. The $p_voffset[0:15]$ inputs are driven with the vector offset for 'A', and p_avec_b is negated, indicating vectoring is desired. For this example, the bus is idle at the time of assertion. The CPU may sample a requested interrupt as early as the cycle in which it is initially requested, and it does so in this example. The interrupt request, the vector offset, and the auto-vector input are sampled at the end of cycle 1. In cycle 3, the interrupt is acknowledged by the assertion of the p_iack output, indicating that the values present on interrupt inputs at the beginning of cycle 2 have been internally latched and committed for servicing. Note that the interrupt vector lines have changed to a value of 'B' during cycle 2, and the $p_critint_b$ input has been asserted by the interrupt controller. The vector number and auto-vector signals must be consistent with the higher priority critical input request, and thus must change when the state of the interrupt request inputs change. The p_iack output assertion in cycle 3 indicates that the values present at the rise of cycle 2 (vector 'A') have been committed to. During cycle 3, the CPU begins instruction fetching of the handler for vector 'A'. The new

request for a subsequent critical interrupt 'B' was not received in time to be acted on first. It is acknowledged after the fetch for the external input interrupt handler is completed and has entered decode.

Note that the time between assertion of an interrupt request input and the acknowledgment of an interrupt may be multiple cycles, and the interrupt inputs may change during that interval. The CPU asserts the *p_iack* output to indicate the cycle at which an interrupt is committed to. In the following example, because the CPU was unable to acknowledge the external input interrupt during cycle 2 due to internal or external execution conditions, the critical input request was sampled. This case is shown in [Figure 7-33](#).

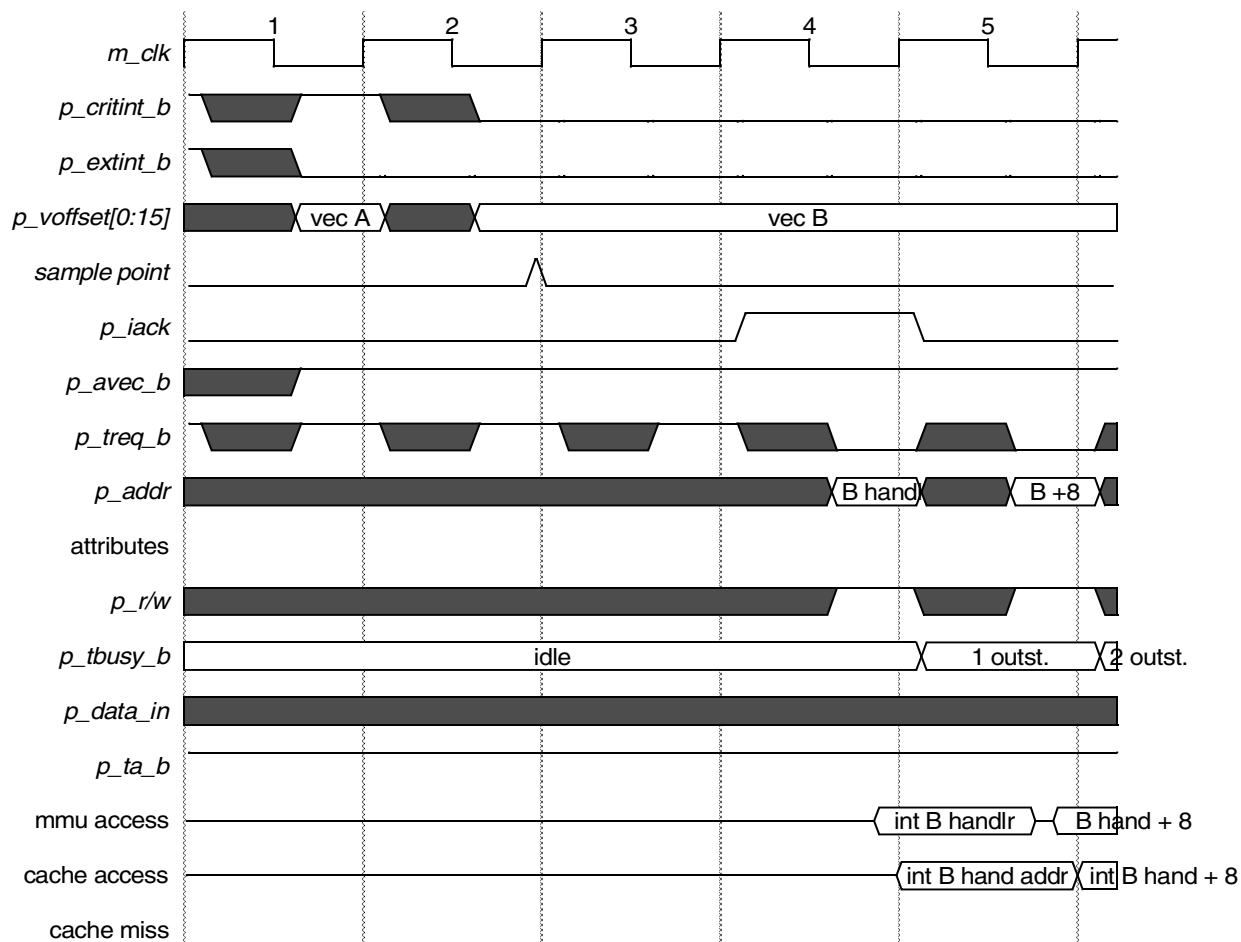


Figure 7-33. Interrupt Acknowledge Operation Case 2

Chapter 8

Power Management

This chapter describes the power management facilities as they are defined by Book E and implemented in devices that contain the core. The scope of this chapter is limited to core complex features. Additional power management capabilities associated with a device that integrates this core (referred to as an integrated device) are documented separately.

8.1 Overview

Power management minimizes overall system power consumption. The core provides the ability to initiate power management from external sources as well as through software techniques. [Table 8-1](#) describes core power states.

Table 8-1. Power States

State	Description
Active (Default)	All internal units on the core operate at full processor clock speed. The core provides dynamic power management in which idle internal units may stop clocking automatically.
Halted	Instruction execution and bus activity are suspended, and most internal clocks are gated off. The core asserts <i>p_halted</i> to indicate it is in the halted state. Before entering halted state, all outstanding bus transactions complete, and the cache's store and push buffers are flushed. The <i>m_clk</i> input should remain running to allow further transitions into the power-down state if requested and to keep the time base operational if it is using <i>m_clk</i> as the clock source.
Power down (stopped)	All core functional units except the time base unit and clock control state machine logic are stopped. <i>m_clk</i> may be kept running to keep the time base active and to allow quick recovery to full-on state. Clocks are not running to functional units except to the time base. The core reaches power-down state after transitioning through halted state with <i>p_stop</i> asserted; at this point <i>p_stopped</i> output is asserted. Additional power may be saved by disabling the time base by asserting <i>p_tdisable</i> or by integrated logic stopping <i>m_clk</i> after the core is in power-down state and has asserted <i>p_stopped</i> . To exit power-down state, integrated logic must first restart <i>m_clk</i> . Because the time base is off during power-down state, if <i>m_clk</i> is the clock source and is stopped, or if time base clocking is disabled by the assertion of <i>p_tdisable</i> , system software must usually have to access an external time base source after returning to the full-on state to reinitialize the time base unit. A time-base related interrupt source (such as the decremter) cannot be used to exit low-power states. The core also provides the ability to clock the time base from an independent (but externally synchronized) clock source, which allows the time base to be maintained during the power-down state, and allows a time-base related interrupt to be generated to indicate an exit condition from the power-down state.

Figure 8-1 is a power management state diagram.

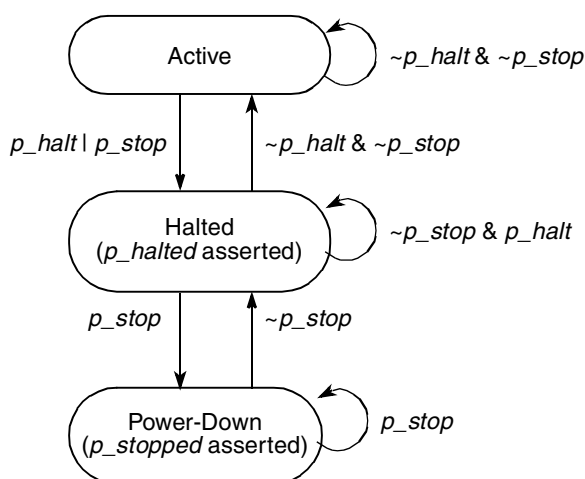


Figure 8-1. Power Management State Diagram

8.1.1 Power Management Signals

Table 8-1 summarizes power management signals. More detailed information is provided in Section 7.5.5, “Power Management.”

Table 8-2. Descriptions of Timer Facility and Power Management Signals

Signal	I/O	Signal Description
<i>p_halt</i>	I	Processor halt request. The active-high <i>p_halt</i> input requests that the core enter the halted state.
<i>p_halted</i>	O	Processor halted. The active-high <i>p_halted</i> output indicates that the core entered the halted state.
<i>p_stop</i>	I	Processor stop request. The active-high <i>p_stop</i> input requests that the core enter the stopped state.
<i>p_stopped</i>	O	Processor stopped. The active-high <i>p_stopped</i> output indicates that the core entered stopped state.
<i>p_doze</i> <i>p_nap</i> <i>p_sleep</i>	O	Low-power mode. These signals are asserted by the core to reflect the settings of the HID0[DOZE], HID0[NAP], and HID0[SLEEP] control bits when MSR[WE] is set. The core can be placed in a low-power state by forcing <i>m_clk</i> to a quiescent state, and brought out of low-power state by re-enabling <i>m_clk</i> . The time base facilities may be separately enabled or disabled using combinations of the timer facility control signals.
<i>p_wakeup</i>	O	Wakeup. Used by external logic to remove the core and system logic from a low-power state. It can also indicate to the system clock controller that <i>m_clk</i> should be re-enabled for debug purposes. <i>p_wakeup</i> (or other system state) should be monitored to determine when to release the core (and system if applicable) from a low-power state.
<i>p_tdisable</i>	I	Timer disable. Used to disable the internal time base and decremter counters. This signal can be used to freeze the state of the time base and decremter during low power or debug operation.
<i>p_tbclk</i>	I	Timer external clock. Used as an alternate clock source for the time base and decremter counters. Selection of this clock is made using HID0[SEL_TBCLK] (see Section 2.13.1, “Hardware Implementation-Dependent Register 0 (HID0)”).
<i>p_tint</i>	O	Timer interrupt status. Indicates whether an internal timer facility unit is requesting an interrupt (TSR[WIS] = 1 and TCR[WIE] = 1, or TSR[DIS] = 1 and TCR[DIE] = 1, or TSR[FIS] = 1 and TCR[FIE] = 1). May be used to exit low-power operation or for other system purposes.

8.1.2 Power Management Control Bits

Software uses the register fields listed in [Table 8-3](#) to generate a request to enter a power-saving state and to choose the state to be entered.

Table 8-3. Power Management Control Bits

Bit	Description
MSR[WE]	Used to qualify assertion of the <i>p_doze</i> , <i>p_nap</i> , and <i>p_sleep</i> outputs to the integrated logic. When MSR[WE] is negated, these signals are negated. If MSR[WE] is set, these pins reflect the state of their respective HID0 control bits.
HID0[DOZE]	The interpretation of the DOZE mode bit is done by the external integrated logic. Doze mode on the core is intended to be the halted state with the clocks running.
HID0[NAP]	The interpretation of the NAP mode bit is done by the external integrated logic. Nap mode on the core may be used for a power-down state with the time base enabled.
HID0[SLEEP]	The interpretation of the SLEEP mode bit is done by the external integrated logic. Sleep mode on the core may be used for a power-down state with the time base disabled.

8.1.3 Software Considerations for Power Management

Setting MSR[WE] generates a request to enter a power-saving state (doze, nap, or sleep). This state must be previously determined by setting the appropriate HID0 bit. Setting MSR[WE] does not directly affect execution, but is reflected on *p_doze*, *p_nap*, and *p_sleep*, depending on the setting of the HID0 DOZE, NAP, and SLEEP bits. Note that the core is not affected by assertion of these signals directly. External system hardware may interpret the state of these signals and activate the *p_halt* and/or *p_stop* inputs to cause the core to enter a quiescent state, in which clocks may be disabled for low-power operation.

To ensure a clean transition into and out of a power-saving mode, the following program sequence is recommended:

```

sync
mtmsr (WE)
isync
loop:  br loop
    
```

An interrupt is typically used to exit a power-saving state. The *p_wakeup* output is used to indicate to the system logic that an interrupt (or a debug request) has become pending. System logic uses this output to re-enable the clocks and exit a low-power state. The interrupt handler is responsible for determining how to exit the low-power loop if one is used. The vectored interrupt capability provided by the core may help determine whether an external hardware interrupt is used to perform the wake-up.

8.1.4 Debug Considerations for Power Management

When a debug request is presented to the core when it is in either the halted or stopped state, *p_wakeup* is asserted, and when *m_clk* is provided to the CPU, it temporarily exits the halted or stopped state and enters debug mode, regardless of the assertion of *p_halt* or *p_stop*. The *p_halted* and *p_stopped* outputs are negated as long as the CPU remains in a debug session (*jd_debug_b* asserted). When the debug session is exited, the CPU resamples the *p_halt* and *p_stop* inputs and re-enters halted or stopped state as appropriate.



Chapter 9

Debug Support

9.1 Introduction

This chapter describes the debug features of the e200z3 core, including the software and hardware debug facilities, events, and registers. It also details the external debug support features available and introduces the reader to the on-chip emulation circuitry (OnCE) and its key attributes, that is, the interface signals, debug inputs, and outputs. This chapter also covers watchpoint support, MMU and cache operations during debug, cache array access, and the basic steps for enabling, using, and exiting external debug mode.

9.2 Overview

Internal debug support in the core allows for software and hardware debugging by providing debug functions such as instruction and data breakpoints and program trace modes. For software-based debugging, debug facilities consisting of a set of software-accessible debug registers and interrupt mechanisms are provided. These facilities are also available to a hardware-based debugger that communicates using a modified IEEE 1149.1 test access port (TAP) controller and pin interface. When hardware debugging is enabled, the debug facilities are protected from software modification.

Software debug facilities are defined as part of Book E. The core supports a subset of these defined facilities. In addition to the Book E–defined facilities, the core provides additional flexibility and functionality in the form of debug event counters, linked instruction and data breakpoints, and sequential debug event detection. These features are also available to a hardware-based debugger.

The core also supports an external Nexus real-time debug module. Real-time system-level debugging is supported by an external Nexus class 2, 3, or 4 module. Definitions and features of this module are part of the system/platform specification and are not further defined in this chapter. Additional information can be found in [Chapter 10, “Nexus3 Module.”](#)

9.2.1 Software Debug Facilities

The debug facilities enable hardware and software debug functions, such as instruction and data breakpoints and program single-stepping. The debug facilities consist of a set of debug control registers (DBCR0–DBCR3) (e200z335 also includes DBCR4 and DBERC0), a set of address compare registers (IAC1–IAC4, DAC1, and DAC2), a set of data value compare registers (DVC1, DVC2) in e200z335, a configurable debug counter register (DBCNT), a debug status register (DBSR) for enabling and recording various kinds of debug events, and a special debug interrupt type built into the interrupt mechanism (see [Section 4.6.16, “Debug Interrupt \(IVOR15\),”](#) for more information). The debug facilities also provide mechanisms for software-controlled processor reset and for controlling the operation of the timers in a debug environment.

Software debug facilities are enabled by setting the internal debug mode bit, DBCR0[IDM]. If DBCR0[IDM] is set, debug events can occur and can be enabled to record exceptions in the DBSR. If enabled by MSR[DE], these exceptions cause debug interrupts. If DBCR0[IDM] and DBCR0[EDM] (EDM represents the external debug mode bit) are cleared, no debug events occur and no status flags are set in DBSR unless already set. In addition, if DBCR0[IDM] is cleared (or is overridden by DBCR0[EDM] being set and DBERC0 indicating no resource is “owned” by software), no debug interrupts can occur, regardless of the contents of DBSR. A software debug interrupt handler can access all system resources and perform the necessary functions appropriate for system debugging.

9.2.1.1 PowerPC Book E Compatibility

The core implements a subset of the PowerPC Book E internal debug features. The following restrictions on functionality are present:

- Instruction address compares do not support compare on physical (real) addresses.
- Data address compares do not support compare on physical (real) addresses.
- Data value compares are not supported (but are supported in e200z335).

9.2.2 Additional Debug Facilities

In addition to the debug functionality defined in Book E, the core provides the capability to link instruction and data breakpoints. The core also provides a configurable debug event counter to allow debug exception generation and a sequential breakpoint control mechanism.

The core also defines two new debug events (critical interrupt taken and critical return) for debugging around critical interrupts.

In addition, the core implements the debug auxiliary processing unit (APU) which, when enabled, allows debug interrupts to use a dedicated set of save/restore registers (DSRR0 and DSRR1) to save state information when a debug interrupt occurs and restore this state information at the end of a debug interrupt handler with the **rfdi** instruction.

9.2.3 Hardware Debug Facilities

The core contains facilities that allow for external test and debugging. A modified IEEE 1149.1 control interface is used to communicate with core resources. This interface is implemented through a standard 1149.1 TAP (test access port) controller.

By using public instructions, the external debugger can freeze or halt the core, read and write internal state and debug facilities, single-step instructions, and resume normal execution.

Hardware debug is enabled by setting the external debug mode enable bit (DBCRO[EDM]). Setting DBCRO[EDM] overrides the internal debug mode enable bit DBCRO[IDM] unless resources are provided back to software via the settings in DBERC0. If the hardware debug facility is enabled, software is blocked from modifying the debug facilities. In addition, because resources are owned by the hardware debugger, inconsistent values may be present if software attempts to read debug-related resources.

When hardware debug is enabled ($DBCR0[EDM] = 1$), the registers and resources described in Section 9.3, “Debug Registers,” are reserved for use by the external debugger. The events described in Section 9.3, “Debug Registers,” are also used for external debugging, but exceptions are not generated to running software. Debug events enabled in the respective $DBCR0$ – $DBCR3$ registers are recorded in the $DBSR$ regardless of $MSR[DE]$, and no debug interrupts are generated unless the resource is granted back to software via $DBERC0$ settings. Instead, the CPU enters debug mode when an enabled event causes a $DBSR$ bit to become set. $DBCR0[EDM]$ may only be written through the OnCE port.

A program trace program counter FIFO (PC FIFO) is also provided to support program change-of-flow capture.

To perform write accesses from the external hardware debugger, most debug resources (registers) require the CPU clock (m_clk) to be running.

9.2.4 Sharing Debug Resources by Software/Hardware in e200z335

Debug resources may be shared by a hardware debugger and software debug based on the settings of debug control register $DBERC0$. When $DBCR0[EDM]$ is set, $DBERC0$ settings determine which debug resources are allocated to software and which resources remain under exclusive hardware control. Software-owned $DBSR$ bits being set will cause a debug interrupt to occur when enabled with $MSR[DE]$ and $DBCR0[IDM]=1$. Hardware-owned $DBSR$ bits will cause an entry into debug mode if set. $DBERC0$ is read-only by software. When resource sharing is enabled, ($DBCR0[EDM]=1$ and $DBERC0[IDM]=1$), only software-owned resources may be modified by software, and all status bits associated with hardware-owned resources will be forced to 0 in $DBSR$ when read by software via a **mf spr** instruction. Hardware always has full access to all registers and all register fields through the OnCE register access mechanism, and it is up to the debug firmware to properly implement modifications to these registers with read-modify-write operations to implement any control sharing with software. Settings in $DBERC0$ should be considered by the debug firmware in order to preserve software settings of control and status registers as appropriate when hardware modifications to the debug registers is performed.

9.2.4.1 Simultaneous Hardware and Software Debug Event Handling in e200z335

Since it is possible that a hardware "owned" resource can produce a debug event in conjunction with a software-owned resource producing a different debug event simultaneously, a priority ordering mechanism is implemented which guarantees that the hardware event is handled as soon as possible, while preserving the recognition of the software event. The CPU will give highest priority to the software event initially in order to reach a recoverable boundary, and then will give highest priority to the hardware event in order to enter debug mode as near the point of event occurrence as possible. This is implemented by allowing software exception handing to begin internal to the CPU and to reach the point where the current program counter and MSR values have been saved into $DSRR0/1$, and the new PC pointing to the debug interrupt handler, along with the new MSR updates. At this point, hardware priority takes over, and the CPU enters debug mode.

Figure 9-1 shows the core debug resources.

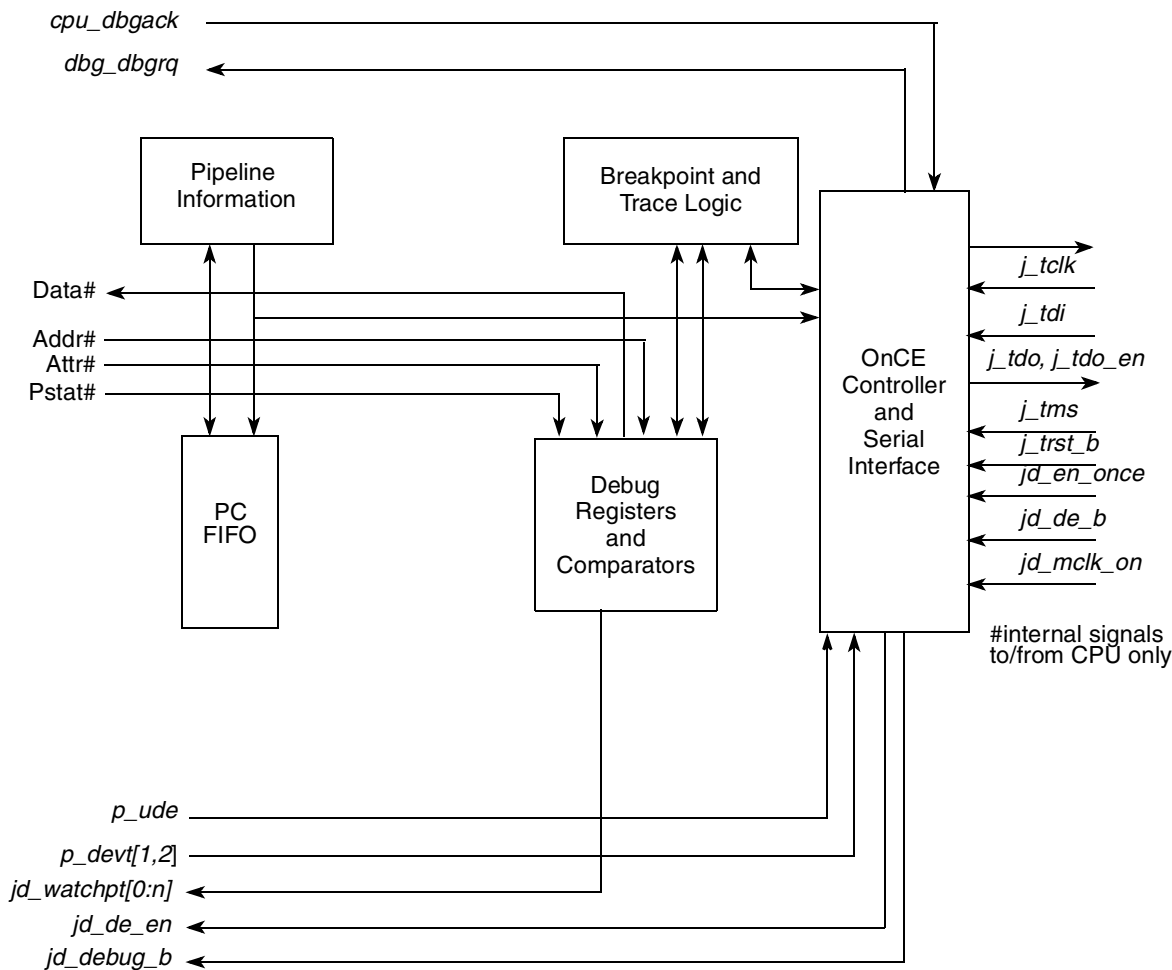


Figure 9-1. Core Debug Resources

9.3 Debug Registers

The debug facility registers are listed in [Table 9-1](#) and described in [Section 2.12, “Debug Registers.”](#)

Table 9-1. Debug Registers

Mnemonic	Name	SPR Number	Access	Privileged	Core Specific
DBCR0	Debug control register 0	308	R/W	Yes	No
DBCR1	Debug control register 1	309	R/W	Yes	No
DBCR2	Debug control register 2	310	R/W	Yes	No
DBCR3	Debug control register 3	561	R/W	Yes	Yes
DBCR4	Debug control register 4	563	R/W	Yes	Yes
DVC1	Data value compare 1	318	R/W	Yes	Yes
DVC2	Data value compare 2	319	R/W	Yes	Yes

Table 9-1. Debug Registers (continued)

Mnemonic	Name	SPR Number	Access	Privileged	Core Specific
DBERC0		569	R	Yes	Yes
DBSR	Debug status register	304	Read/Clear ¹	Yes	No
DBCNT	Debug counter register	562	R/W	Yes	Yes
IAC1	Instruction address compare 1	312	R/W	Yes	No
IAC2	Instruction address compare 2	313	R/W	Yes	No
IAC3	Instruction address compare 3	314	R/W	Yes	No
IAC4	Instruction address compare 4	315	R/W	Yes	No
DAC1	Data address compare 1	316	R/W	Yes	No
DAC2	Data address compare 2	317	R/W	Yes	No

¹ The DBSR can be read using **mf spr rD, DBSR**. It cannot be directly written to. Instead, DBSR bits corresponding to 1 bits in GPR(rS) can be cleared using **mt spr DBSR, rS**.

9.4 Software Debug Events and Exceptions

Software debug events and exceptions are available if internal debug mode is enabled ($DBCRC0[IDM] = 1$) and not overridden by external debug mode ($DBCRC0[EDM] = 0$). When enabled, debug events cause debug exceptions to be recorded in the debug status register. Specific event types are enabled by $DBCRC0$ – $DBCRC3$. The unconditional debug event (UDE) is an exception to this rule; it is always enabled. Once a DBSR bit other than MRR and CNTITRG is set, if debug interrupts are enabled by $MSR[DE]$, a debug interrupt is generated. The debug interrupt handler is responsible for ensuring that multiple repeated debug interrupts do not occur by clearing the DBSR as appropriate.

Certain debug events are not allowed to occur when $MSR[DE] = 0$ and $DBCRC0[EDM] = 0$. Under these conditions, no debug exception occurs and thus no DBSR bit is set. Other debug events may cause debug exceptions and set DBSR bits regardless of the state of $MSR[DE]$. A debug interrupt is delayed until $MSR[DE]$ is set.

When a DBSR bit is set while $MSR[DE] = 0$ and $DBCRC0[EDM] = 0$, an imprecise debug event flag ($DBSR[IDE]$) is also set to indicate that an exception bit in the DBSR was set while debug interrupts were disabled. The debug interrupt handler software can use this bit to determine whether $DSRR0$ holds the address associated with the instruction causing the debug exception or the address of the instruction that enabled a delayed debug interrupt by setting $MSR[DE]$. An **mtmsr** or **mtdbcr0**, which causes both $MSR[DE]$ and $DBCRC0[IDM]$ to be set, enabling precise debug mode, may cause an imprecise (delayed) debug exception to be generated due to an earlier recorded event in the DBSR.

The following types of debug events are defined by Book E:

- Instruction address compare debug events
- Data address compare debug events
- Trap debug events
- Branch taken debug events

Debug Support

- Instruction complete debug events
- Interrupt taken debug events
- Return debug events
- Unconditional debug events

These events are described in further detail in the *EREF*.

The core defines the following debug events, which are described in [Table 9-2](#):

- The debug counter debug events DCNT1 and DCNT2
- The external debug events DEVT1 and DEVT2
- The critical interrupt taken debug event (CIRPT)
- The critical return debug event (CRET)

The core debug framework supports most of these event types. The following Book E–defined functionality is not supported:

- Instruction address compare and data address compare real address mode
- Data value compare mode

A brief description of each of the debug event types is shown in [Table 9-2](#). In these descriptions, DSRR0 and DSRR1 are used to store the address of the instruction following a load or store, assuming that the debug APU is enabled. If it is disabled, CSRR0 is used.

Table 9-2. Debug Event Descriptions

Event Name	Type	Description
Instruction Address Compare Event	IAC	<p>Occurs when enabled and upon attempted execution of an instruction at an address that meets the criteria specified in the DBCR0, DBCR1, and IAC_n registers. Instruction address compares may specify user/supervisor mode and instruction space (MSR[IS]), along with an effective address, masked effective address, or range of effective addresses for comparison. This event can occur and be recorded in DBSR regardless of the setting of MSR[DE]. IAC events do not occur when an instruction would not have normally begun execution due to a higher priority exception at an instruction boundary.</p> <p>IAC compares perform a 31-bit compare for VLE instruction pages, and 30-bit compares for BookE instruction pages. Each half-word fetched by the instruction fetch unit will be marked with a set of bits indicating whether an Instruction Address Compare occurred on that half-word. Debug exceptions will occur if enabled and a 16-bit instruction, or the first half-word of a 32-bit instruction, is tagged with an IAC hit. For instruction fetches that miss in the TLB, Book E pages are assumed, and a 30-bit compare is performed.</p>
Data Address Compare Event	DAC	<p>Data address compare debug events occur if data address compare debug events are enabled and execution of a load or store class instruction or a cache maintenance instruction results in a data access with an address that meets the criteria specified in DBCR0, DBCR2, DAC1, and DAC2. Data address compares may specify user/supervisor mode and data space (MSR[DS]), along with an effective address, masked effective address, or range of effective addresses for comparison. This event can occur and be recorded in DBSR regardless of the setting of MSR[DE]. Two address compare values (DAC1 and DAC2) are provided.</p> <p>Note:</p> <p>In contrast to the Book E definition, data address compare events on the core do not prevent the load or store instruction from completing. If a load or store class instruction completes successfully without a data TLB or data storage interrupt, data address compare exceptions are reported at the completion of the instruction. If the exception results in a precise debug interrupt, the address value saved in DSRR0 (or CSRR0 if the debug APU is disabled) is the address of the instruction following the load or store class instruction.</p> <p>If a load or store class instruction does not complete successfully due to a data TLB or data storage exception, and a data address compare debug exception also occurs, the result is an imprecise debug interrupt, the address value saved in DSRR0 (or CSRR0 if the debug APU is disabled) is the address of the load or store class instruction, and DBSR[IDE] is set. In addition to occurring when DBCR0[IDM] = 1, this can also occur when DBCR0[EDM] = 1.</p> <p>Note:</p> <p>DAC events are not recorded or counted if an lmw or stmw instruction is interrupted before completion by a critical input or external input interrupt.</p> <p>Note:</p> <ul style="list-style-type: none"> • DAC events are not signaled on the following: <ul style="list-style-type: none"> —The second portion of a misaligned load or store that is broken up into two separate accesses —The tlbre, tlbwe, tlbsx, or tlbivax instructions

Table 9-2. Debug Event Descriptions (continued)

Event Name	Type	Description
Linked Instruction Address and Data Address Compare Event	DAC1LNK, DAC2LNK	<p>Data address compare debug events may be linked with an instruction address compare event by setting the DAC1LNK and/or DAC2LNK control bits in DBCR2 to further refine when a data address compare debug event is generated. DAC1 may be linked with IAC1, and DAC2 (when not used as a mask or range bounds register) may be linked with IAC3. When linked, a DAC1 (or DAC2) debug event occurs when the same instruction that generates the DAC1 (or DAC2) hit also generates an IAC1 (or IAC3) hit. When linked, the IAC1 (or IAC3) event is not recorded in the DBSR, regardless of whether a corresponding DAC1 (or DAC2) event occurs, or whether the IAC1 (or IAC3) event enable is set.</p> <p>When enabled and execution of a load or store class instruction results in a data access with an address, and that address meets the criteria specified in DBCR0, DBCR2, DAC1, and DAC2, and the instruction also meets the criteria for generating an instruction address compare event, a linked data address compare debug event occurs. This event can occur and be recorded in DBSR regardless of the setting of MSR[DE]. The normal DAC1 and DAC2 status bits in the DBSR are used for recording these events. The IAC1 and IAC3 status bits are not set if the corresponding instruction address compare register is linked.</p> <p>Linking is enabled using DBCR2 control bits. If data address compare debug events are used to control or modify operation of the debug counter, linking is also available, even though DBCR0 may not have enabled IAC or DAC events. Also, instruction address compare events that are linked may still affect the debug counter (if enabled to) and may be used to either trigger a counter or be counted, in contrast to being blocked from affecting the DBSR.</p> <p>Note: Linked DAC events are not recorded or counted if an lmw or stmw instruction is interrupted before completion by a critical input or external input interrupt.</p>
Trap Debug Event	TRAP	<p>A trap debug event occurs if trap debug events are enabled (DBCR0[TRAP] = 1), a trap instruction (tw, twi) is executed, and the conditions specified by the instruction for the trap are met. This event can occur and be recorded in DBSR regardless of the setting of MSR[DE]. When a trap debug event occurs, DBSR[TRAP] is set.</p>
Branch Taken Debug Event	BRT	<p>A branch taken debug event occurs if branch taken debug events are enabled (DBCR0[BRT] = 1) and execution is attempted of a branch instruction that will be taken (either an unconditional branch or a conditional branch whose branch condition is true), and MSR[DE] = 1 or DBCR0[EDM] = 1. Branch taken debug events are not recognized if MSR[DE] = 0 and DBCR0[EDM] = 0 at the time of execution of the branch instruction and thus DBSR[IDE] can not be set by a branch taken debug event. When a branch taken debug event is recognized, DBSR[BRT] is set to record the debug exception, and the address of the branch instruction is recorded in DSRRO (only when the interrupt is taken).</p>

Table 9-2. Debug Event Descriptions (continued)

Event Name	Type	Description
Instruction Complete Debug Event	IAC	<p>An instruction-complete debug event occurs if instruction-complete debug events are enabled (DBCR0[ICMP] = 1), execution of any instruction is completed, and MSR[DE] = 1 or DBCR0[EDM] = 1. If execution of an instruction is suppressed due to the instruction causing some other exception that is enabled to generate an interrupt, then the attempted execution of that instruction does not cause an instruction complete debug event. The sc instruction does not fall into the category of an instruction whose execution is suppressed, since the instruction actually executes and then generates a system call interrupt. In this case, the instruction complete debug exception is also set. When an instruction complete debug event is recognized, DBSR[ICMP] is set to record the debug exception, and the address of the next instruction to be executed is recorded in DSRR0.</p> <p>Instruction complete debug events are not recognized if MSR[DE] = 0 and DBCR0[EDM] = 0 at the time of execution of the instruction; thus, DBSR[IDE] is not generally set by an ICMP debug event.</p> <p>One circumstance may cause DBSR[ICMP] and DBSR[IDE] to be set. This occurs when an embedded FPU round exception occurs. Because the instruction is by definition completed (SRR0 points to the following instruction), this interrupt takes higher priority than the debug interrupt so as not to be lost, and DBSR[IDE] = 1 to indicate imprecise recognition of a debug interrupt. In this case, the debug interrupt is taken with SRR0 pointing to the instruction following the instruction that generated the SPEFPU round exception, and DSRR0 points to the round exception handler. In addition to occurring when DBCR0[IDM] = 1, this circumstance can also occur when DBCR0[EDM] = 1.</p> <p>Note: Instruction complete debug events are not generated by the execution of an instruction that sets MSR[DE] while DBCR0[ICMP] = 1, nor by the execution of an instruction that sets DBCR0[ICMP] while MSR[DE] = 1 or DBCR0[EDM] = 1.</p>
Interrupt Taken Debug Event	IRPT	<p>An interrupt-taken debug event occurs if interrupt-taken debug events are enabled (DBCR0[IRPT] = 1) and a non-critical interrupt occurs. Only non-critical class interrupts cause an interrupt-taken debug event. This event can occur and be recorded in DBSR regardless of the setting of MSR[DE]. When an interrupt-taken debug event occurs, DBSR[IRPT] is set to record the debug exception. DSRR0 holds the address of the non-critical interrupt handler.</p>
Critical Interrupt Taken Debug Event	CIRPT	<p>A critical interrupt taken debug event occurs if critical interrupt taken debug events are enabled (DBCR0[CIRPT] = 1) and a critical interrupt (other than a debug interrupt when the debug APU is disabled) occurs. Only critical class interrupts cause a critical-interrupt-taken debug event. This event can occur and be recorded in DBSR regardless of the setting of MSR[DE]. When a critical-interrupt-taken debug event occurs, DBSR[CIRPT] bit is set, ensuring that debug exceptions are recorded. DSRR0 holds the address of the critical interrupt handler.</p> <p>Note: To avoid corruption of CSRR0 or CSRR1, this debug event should not normally be enabled unless the debug APU is also enabled.</p>

Table 9-2. Debug Event Descriptions (continued)

Event Name	Type	Description
Return Debug Event	RET	A return debug event occurs if return debug events are enabled (DBCR0[RET] = 1) and an attempt is made to execute an rfi instruction. This event can occur and be recorded in DBSR regardless of the setting of MSR[DE]. When a return debug event occurs, the DBSR[RET] bit is set so the debug exceptions are recorded. If MSR[DE] = 0 and DBCR0[EDM] = 0 when rfi executes (that is, before the MSR is updated by the rfi), DBSR[IDE] is also set to record the imprecise debug event. If MSR[DE] = 1 when rfi executes, a debug interrupt occurs provided no higher priority exception is enabled to cause an interrupt. DSRR0 holds the address of the rfi instruction.
Critical Return Debug Event	CRET	A critical return debug event occurs if critical return debug events are enabled (DBCR0[CRET] = 1) and an attempt is made to execute an rfci instruction. This event can occur and be recorded in DBSR regardless of the setting of MSR[DE]. When a critical return debug event occurs, the DBSR[CRET] bit is set to record the debug exception. If MSR[DE] = 0 and DBCR0[EDM] = 0 at the time of the execution of the rfci (that is before the MSR is updated by the rfci), DBSR[IDE] is also set to record the imprecise debug event. If MSR[DE] = 1 at the time of the execution of the rfci , a debug interrupt occurs provided no higher priority exception is enabled to cause an interrupt. Debug save/restore register 0 is set to the address of the rfci instruction. Note that this debug event should not normally be enabled unless the debug APU is also enabled to avoid corruption of CSRR0 or CSRR1.
Debug Counter Debug Event	DCNT1, DCNT2	A debug counter debug event occurs if debug counter debug events are enabled (DBCR0[DCNT1] = 1 or DBCR0[DCNT2] = 1), a debug counter is enabled, and a counter decrements to zero. This event can occur and be recorded in DBSR regardless of the setting of MSR[DE]. When a debug counter debug event occurs, DBSR[DCNT1] or DBSR[DCNT2] is set to record the debug exception.
External Debug Event	DEVT1, DEVT2	An external debug event occurs if external debug events are enabled (DBCR0[DEVT1] = 1 or DBCR0[DEVT2] = 1), and the respective <i>p_devt1</i> or <i>p_devt2</i> input signal transitions to the set state. This event can occur and be recorded in DBSR regardless of the setting of MSR[DE]. When an external debug event occurs, DBSR[DEVT1] or DBSR[DEVT2] is set to record the debug exception.
Unconditional Debug Event	UDE	An unconditional debug event occurs when the unconditional debug event (<i>p_ude</i>) input transitions to the set state, and either DBCR0[IDM] = 1 or DBCR0[EDM] = 1. The unconditional debug event is the only debug event that does not have a corresponding enable bit for the event in DBCR0. This event can occur and be recorded in DBSR regardless of the setting of MSR[DE]. When an unconditional debug event occurs, DBSR[UDE] is set, so debug exceptions are recorded.

9.5 External Debug Support

External debug support is supplied through the core's OnCE controller serial interface, which allows access to internal CPU registers and other system state while in external debug mode (DBCR0[EDM] is set). All debug resources, including DBCR0–DBCR3, DBSR, IAC1–IAC4, DAC1, DAC2 and DBCNT are accessible through the serial on-chip emulation (OnCE) interface in external debug mode. Setting the DBCR0[EDM] bit through the OnCE interface enables external debug mode and disables software updates to the debug registers. When DBCR0[EDM] is set, debug events enabled to set respective DBSR status bits also cause the CPU to enter debug mode, as opposed to generating debug interrupts. In debug mode,

the CPU is halted at a recoverable boundary, and an external debug control module may control CPU operation through the OnCE logic. No debug interrupts can occur while DBCR0[EDM] remains set.

NOTE

On the initial setting of DBCR0[EDM], other bits in DBCR0 are unchanged. After DBCR0[EDM] is set, all debug register resources may be subsequently controlled through the OnCE interface. DBSR should be cleared as part of the process of enabling external debug activity. The CPU should be placed into debug mode through the OCR[DR] control bit before setting EDM. This allows the debugger to cleanly write to the DBCR n registers and the DBSR to clear out any residual state/control information that could cause unintended operation.

NOTE

It is intended for the CPU to remain in external debug mode (DBCR0[EDM] = 1) in order to single-step or perform other debug mode entry/reentry through the OCR[DR], by performing OnCE Go+NoExit commands, or by assertion of *jd_de_b*.

NOTE

DBCR0[EDM] operation is blocked if the OnCE operation is disabled (*jd_en_once* negated) regardless of whether it is set or cleared. This means that if DBCR0[EDM] was previously set and then *jd_en_once* is negated (this should not occur), entry into debug mode is blocked, all events are blocked, and watchpoints are blocked.

Due to clock domain design, the CPU clock (*m_clk*) must be active for writes to be performed to debug registers other than the OnCE command register (OCMD), the OnCE control register (OCR), or DBCR0[EDM]. Register read data is synchronized back to the *j_tclk* clock domain. The OnCE control register provides the capability of signaling the system level clock controller that the CPU clock should be activated if not already active.

Updates to DBCR n , DBSR, and DBCNT through the OnCE interface should be performed with the CPU in debug mode to guarantee proper operation. Due to the various points in the CPU pipeline where control is sampled and event handshaking is performed, it is possible that modifications to these registers while the CPU is running may result in early or late entry into debug mode and incorrect status information posted in DBSR.

9.5.1 OnCE Introduction

The on-chip emulation circuitry (OnCE/Nexus class 1 interface) provides a means of interacting with the core and integrated system so that a user may examine registers, memory, or on-chip peripherals. OnCE operation is controlled through an industry-standard IEEE 1149.1 TAP controller. By using JTAG instructions, the external hardware debugger can freeze or halt the CPU, read and write internal state, and resume normal execution. The core does not contain IEEE 1149.1 standard boundary cells on its interface, as it is a building block for further integration. It does not support the JTAG-related boundary scan

instruction functionality, although JTAG public instructions may be decoded and signaled to external logic.

The OnCE logic provides for Nexus class 1 static debug capability (using the same set of resources available to software while the core is in internal debug mode), and is present in all e200z3-based designs. The OnCE module also provides support for directly integrating a Nexus class 2 or class 3 real-time debug unit with the core for development of real-time systems where traditional static debug is insufficient. The partitioning between a OnCE module and a connected Nexus module to provide real-time debugging allows for capability and cost tradeoffs to be made.

The core is designed to be a fully integratable module. The OnCE TAP controller and associated enabling logic are designed to allow concatenation with an existing JTAG controller if one is present in the system. Thus, the core module can be easily integrated with existing JTAG designs or as a stand-alone controller.

To enable full OnCE operation, the *jd_enable_once* input signal must be asserted. In some system integrations, this is automatic since the input will be tied asserted. Other integrations may require the execution of the Enable OnCE command through the TAP and appropriate entry of serial data. Refer to the documentation for the integrating device. The *jd_enable_once* input should not change state during a debug session, or undefined activity may occur.

Figure 9-2 shows the TAP controller and TAP registers implemented by the OnCE logic.

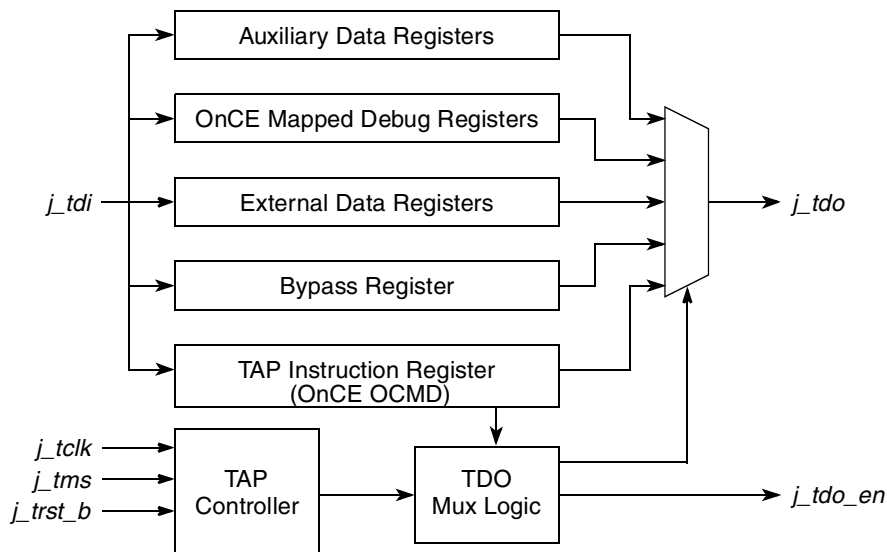


Figure 9-2. OnCE TAP Controller and Registers

The OnCE controller is implemented as a 16-state finite state machine (FSM), shown in Figure 9-3, with a one-to-one correspondence to the states defined for the JTAG TAP controller.

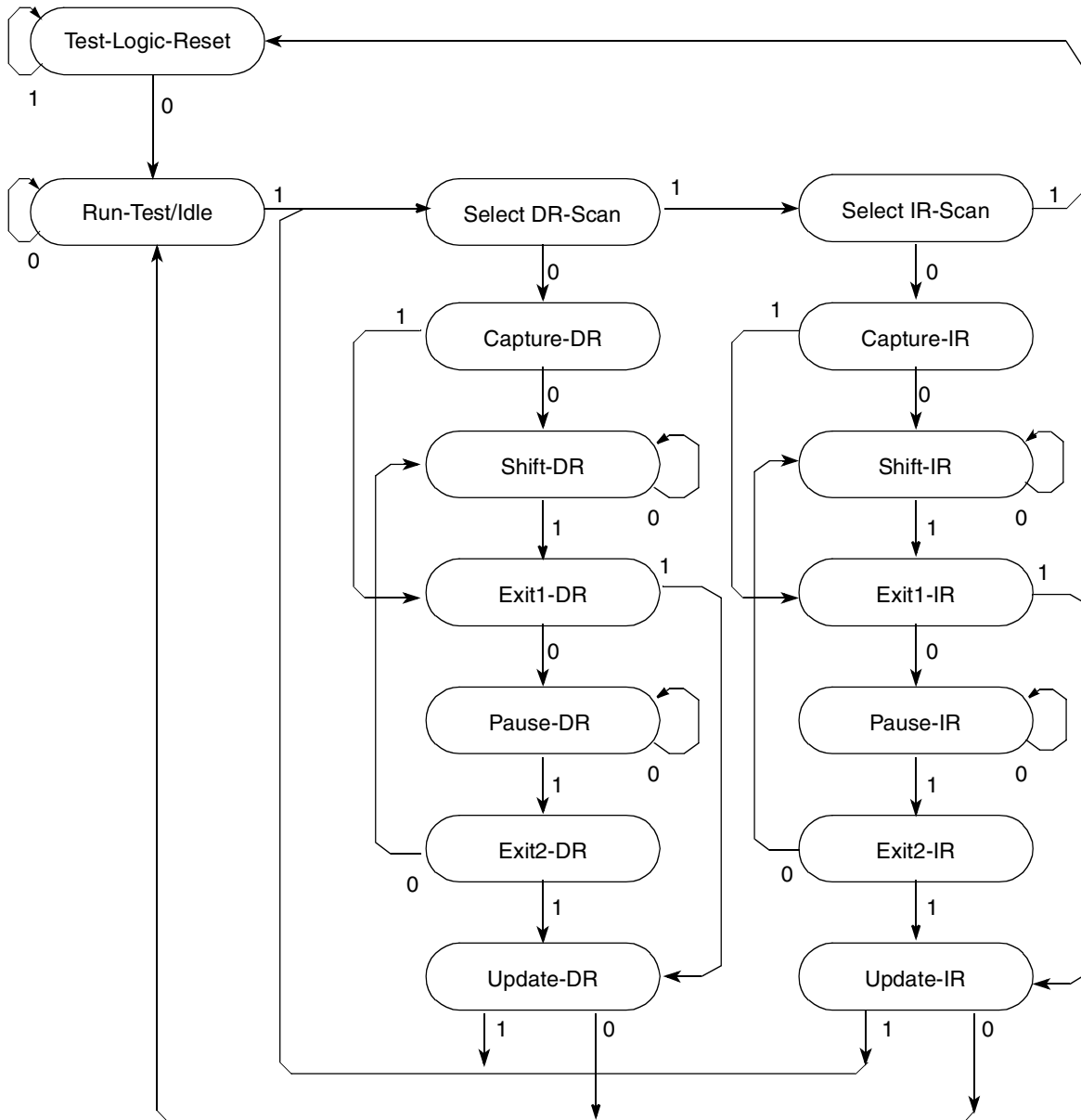


Figure 9-3. OnCE Controller as an FSM

Access to core processor registers and the contents of memory locations is performed by enabling external debug mode (setting DBCR0[EDM]), placing the processor into debug mode, and scanning instructions and data into and out of the core CPU scan chain (CPUSCR); execution of scanned instructions by the core is used as the method for accessing required data. Memory locations may be read by scanning a load instruction into the core that references the desired memory location, executing the load instruction, and then scanning out the result of the load. Other resources are accessed in a similar manner.

The initial entry by the CPU into the debug state (or mode) from normal, stopped, halted, or checkstop states (all indicated by the OnCE status register (OSR) described in [Section 9.5.5.1, “OnCE Status Register \(OSR\)”](#)) by assertion of one or more debug requests begins a debug session. The *jd_debug_b* output signal indicates that a debug session is in progress, and the OSR indicates that the CPU is in the debug state. Instructions may be single-stepped by scanning new values into the CPUSCR and performing a OnCE Go+NoExit command (see [Section 9.5.5.2, “OnCE Command Register \(OCMD\)”](#)). The CPU then temporarily exits the debug state (but not the debug session) to execute the instruction and returns to the debug state (again indicated by the OSR). The debug session remains in force until the final Go+Exit command is executed, at which time the CPU returns to its previous state (unless a new debug request is pending). A scan into the CPUSCR is required before executing each Go+Exit or Go+NoExit command.

9.5.2 JTAG/OnCE Signals

The JTAG/OnCE interface is used to transfer OnCE instructions and data to the OnCE control block. Depending on the resource being accessed, the CPU may need to be placed in debug mode. For resources outside the CPU block and contained in the OnCE block, the processor is not disturbed and may continue execution. If a processor resource is required, an internal debug request (*dbg_dbgrq*) may be asserted to the CPU by the OnCE controller, and causes the CPU to finish the instruction being executed, save the instruction pipeline information, enter debug mode, and wait for further commands. Asserting *dbg_dbgrq* causes the chip to exit the low-power mode enabled by setting MSR[WE].

[Table 9-3](#) details the primary JTAG/OnCE interface signals.

Table 9-3. JTAG/OnCE Primary Interface Signals

Signal Name	I/O	Description
<i>j_trst_b</i>	I	JTAG test reset
<i>j_tclk</i>	I	JTAG test clock
<i>j_tms</i>	I	JTAG test mode select
<i>j_tdi</i>	I	JTAG test data input
<i>j_tdo</i>	O	Test data out to master controller or pad
<i>j_tdo_en</i>	O	Enables TDO output buffer Set when the TAP controller is in the Shift-DR or Shift-IR state.

A full description of JTAG signals is provided in [Section 7.3.2, “JTAG ID Signals.”](#)

9.5.3 OnCE Internal Interface Signals

The following sections describe the OnCE interface signals to other internal blocks associated with the OnCE controller. [Table 9-4](#) shows the OnCE internal interface signals.

Table 9-4. OnCE Internal Interface Signals

Signal Name	I/O	Description
CPU Debug Request (<i>dbg_dbgrq</i>)	O	The <i>dbg_dbgrq</i> signal is set by the OnCE control logic to request the CPU to enter the debug state. It may be set for a number of different conditions, and causes the CPU to finish the current instruction being executed, save the instruction pipeline information, enter debug mode, and wait for further commands.
CPU Debug Acknowledge (<i>cpu_dbgack</i>)	I	The <i>cpu_dbgack</i> signal is set by the CPU upon entering the debug state. This signal is used as part of the handshake mechanism between the OnCE control logic and the rest of the CPU. The CPU core may enter debug mode through either a software or hardware event.

9.5.3.1 CPU Address and Attributes

The CPU address and attribute information are used by an external Nexus class 2–4 debug unit with information for real-time address trace information.

9.5.3.2 CPU Data

The CPU data bus is used to supply an external Nexus class 2–4 debug unit with information for real-time data trace capability.

9.5.4 OnCE Interface Signals

The following sections describe additional OnCE interface signals to other external blocks such as a Nexus controller and external blocks that may need information pertaining to debug operation.

Table 9-5 describes the OnCE interface signals.

Table 9-5. OnCE Interface Signals¹

Signal Name	I/O	Description
OnCE enable (<i>jd_en_once</i>)	I	The OnCE enable signal, <i>jd_en_once</i> , is used to enable the OnCE controller to allow certain instructions and operations to be executed. Assertion of this signal enables the full OnCE command set, as well as operation of control signals and OnCE control register functions. When this signal is disabled, only the Bypass, ID and Enable_OnCE commands are executed by the OnCE unit, and all other commands default to the Bypass command. The OSR is not visible when OnCE operation is disabled. Also OCR functions are also disabled, as is the operation of the <i>jd_de_b</i> input. Secure systems may choose to leave <i>jd_en_once</i> negated until a security check has been performed. Other systems should tie this signal asserted to enable full OnCE operation. The <i>j_en_once_regsel</i> output signal is provided to assist external logic performing security checks. Refer to Section 9.5.5.3, “OnCE Control Register (OCR)” , for a description of the <i>j_en_once_regsel</i> output. The <i>jd_en_once</i> input must change state only during the test-logic-reset, Run-Test/Idle, or Update-DR TAP states. A new value takes effect after one additional <i>j_tclk</i> cycle of synchronization. In addition, <i>jd_enable_once</i> must not change state during a debug session, or undefined activity may occur.
OnCE debug request (<i>jd_de_b</i>)/event (<i>jd_de_en</i>)	I/O	The system-level bidirectional open drain debug event pin, <i>DE_b</i> , (not part of the interface described in Chapter 7, “External Core Complex Interfaces”) provides a fast means of entering the debug mode of operation from an external command controller (when input) as well as a fast means of acknowledging entry into debug mode of operation to an external command controller (when output). The assertion of this pin by a command controller causes the CPU core to finish the current instruction being executed, save the instruction pipeline information, enter debug mode, and wait for commands to be entered. If <i>DE_b</i> was used to enter debug mode, <i>DE_b</i> must be negated after the OnCE controller responds with an acknowledge and before sending the first OnCE command. The assertion of this pin by the CPU core acknowledges that it has entered the debug mode and is waiting for commands to be entered. To support operation of this system pin, the OnCE logic supplies the <i>jd_de_en</i> output and samples the <i>jd_de_b</i> input when OnCE is enabled (<i>jd_en_once</i> set). Assertion of <i>jd_de_b</i> causes the OnCE logic to place the CPU into debug mode. Once debug mode has been entered, the <i>jd_de_en</i> output is asserted for three <i>j_tclk</i> periods to signal an acknowledge; <i>jd_de_en</i> can be used to enable the open-drain pulldown of the system level <i>DE_b</i> pin.
OnCE debug output (<i>jd_debug_b</i>)	O	The OnCE debug output <i>jd_debug_b</i> is used to indicate to on-chip resources that a debug session is in progress. Peripherals and other units may use this signal to modify normal operation for the duration of a debug session, which may involve the CPU executing a sequence of instructions solely for the purpose of visibility/system control that are not part of the normal instruction stream the CPU would have executed had it not been placed in debug mode. This signal is set the first time the CPU enters the debug state, and remains set until the CPU is released by a write to the core OnCE command register (OCMD) with the GO and EX bits set, and a register specified as either no register selected or the CPUSCR. This signal remains set even though the CPU may enter and exit the debug state for each instruction executed under control of the OnCE controller. See Section 9.5.5.2, “OnCE Command Register (OCMD)” , for more information on the function of the GO and EX bits. This signal is not normally used by the CPU.

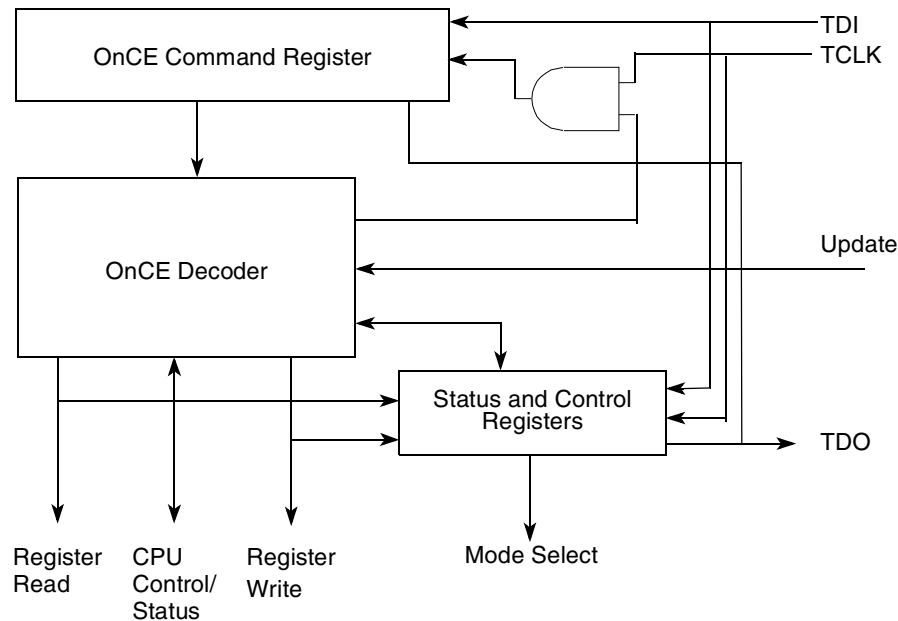
Table 9-5. OnCE Interface Signals¹ (continued)

Signal Name	I/O	Description
CPU clock on input (<i>jd_mclk_on</i>)	I	The CPU clock on input (<i>jd_mclk_on</i>) is used to indicate that the CPU's <i>m_clk</i> input is active. This input signal is expected to be driven by system logic external to the core, is synchronized to the <i>j_tclk</i> (scan clock) clock domain and presented as a status flag on the <i>j_tdo</i> output during the Shift-IR state. External firmware may use this signal to ensure proper scan sequences occur to access debug resources in the <i>m_clk</i> clock domain.
Watchpoint events (<i>jd_watchpt[0:7]</i>)	O	The <i>jd_watchpt[0:7]</i> signals may be set by the OnCE control logic to signal that a watchpoint condition has occurred. Watchpoints do not cause the CPU to be affected. They are provided to allow external visibility only. Watchpoint events are conditioned by the settings in DBCR0, DBCR1, and DBCR2.

¹ These are high-level descriptions of the OnCE interface signals, more detailed descriptions can be found in [Section 7.3, "Signal Descriptions."](#)

9.5.5 OnCE Controller and Serial Interface

The OnCE controller contains the OnCE command register, the OnCE decoder, and the status/control register. [Figure 9-4](#) is a block diagram of the OnCE controller. In operation, the OnCE command register acts as the instruction register (IR) for the TAP controller, and all other OnCE resources are treated as data registers (DR) by the TAP controller. The command register is loaded by serially shifting in commands during the TAP controller Shift-IR state, and is loaded during the Update-IR state. The command register selects a resource to be accessed as a data register (DR) during the TAP controller Capture-DR, Shift-DR, and Update-DR states.


Figure 9-4. OnCE Controller and Serial Interface

9.5.5.1 OnCE Status Register (OSR)

Status information regarding the state of the CPU is latched into the OSR when the OnCE controller state machine enters the Capture-IR state. When OnCE operation is enabled, this information is provided on the *j_tdo* output in serial fashion when the Shift-IR state is entered following a Capture-IR. Information is shifted out least-significant bit first.

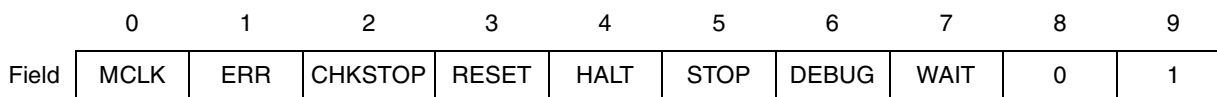


Figure 9-5. OnCE Status Register (OSR)

Table 9-6 describes OnCE status register bits.

Table 9-6. OSR Field Descriptions

Bits	Name	Description
0	MCLK	<i>m_clk</i> status bit. Reflects the logic level on the <i>jd_mclk_on</i> input signal after capture by <i>j_tclk</i> . 0 Inactive state 1 Active state
1	ERR	Error. Used to indicate that an error condition occurred during attempted execution of the last single-stepped instruction (Go+NoExit with CPUSCR or no register selected in OCMD), and that the instruction may not have executed properly. This can occur if an interrupt (all classes including external, critical, machine check, storage, alignment, program, TLB, and so on) occurs while attempting to perform the instruction single-step. In this case, CPUSCR contains information related to the first instruction of the interrupt handler, and no portion of the handler will have executed.
2	CHKSTOP	Checkstop mode. Reflects the logic level on the CPU <i>p_chkstop</i> output after capture by <i>j_tclk</i> .
3	RESET	Reset mode. Reflects the inverted logic level on the CPU <i>p_reset_b</i> input after capture by <i>j_tclk</i> .
4	HALT	Halt mode. Reflects the logic level on the CPU <i>p_halted</i> output after capture by <i>j_tclk</i> .
5	STOP	Stop mode. Reflects the logic level on the CPU <i>p_stopped</i> output after capture by <i>j_tclk</i> .
6	DEBUG	Debug mode. Set once the CPU is in debug mode. It is negated once the CPU exits debug mode (even during a debug session).
7	WAIT	Waiting Mode (e200z335 only) This bit reflects the logic level on the CPU p_waiting output after capture by j_tclk . Reserved, set to 0 on e200z3.
8	—	Reserved, set to 0 for 1149.1 compliance
9	—	Reserved, set to 1 for 1149.1 compliance

9.5.5.2 OnCE Command Register (OCMD)

The OnCE command register (OCMD) is a 10-bit shift register that receives its serial data from the TDI pin and serves as the instruction register (IR). It holds the 10-bit commands to be used as input for the OnCE decoder. OCMD is shown in Figure 9-5. It is updated when the TAP controller enters the Update-IR state. It contains fields for controlling access to a resource, as well as controlling single-step operation and exit from OnCE mode.

Although OCMD is updated during the Update-IR TAP controller state, the corresponding resource is accessed in the DR scan sequence of the TAP controller, and as such, the Update-DR state must be transitioned through for an access to occur. In addition, the Update-DR state must also be transitioned through in order for the single-step and/or exit functionality to be performed, even though the command appears to have no data resource requirement associated with it.

	0	1	2	3	9
Field	R/W	GO	EX	RS	
Reset	0b10_0000_0010 on assertion of <i>j_trst_b</i> or <i>m_por</i> or while in test-logic-reset state				

Figure 9-6. OnCE Command Register (OCMD)

Table 9-7 describes OCMD fields.

Table 9-7. OCMD Field Descriptions

Bits	Name	Description
0	R/W	<p>Read/Write. Specifies the direction of data transfer.</p> <p>0 Write the data associated with the command into the register specified by RS</p> <p>1 Read the data contained in the register specified by RS</p> <p>Note: R/W is generally ignored for read-only or write-only registers, although the PC FIFO pointer is only guaranteed to be updated when R/W = 1. In addition, it is ignored for all bypass operations. When performing writes, most registers are sampled in the Capture-DR state into a 32-bit shift register and subsequently shifted out on <i>j_tdo</i> during the first 32 clocks of Shift-DR.</p>
1	GO	<p>Go. If the GO bit is set, the chip executes the instruction which resides in the IR register in the CPUSCR. To execute the instruction, the processor leaves debug mode, executes the instruction, and, if the EX bit is cleared, returns to debug mode immediately after executing the instruction. The processor goes on to normal operation if the EX bit is set, and no other debug request source is set. The GO command is executed only if the operation is a read/write to CPUSCR or a read/write to no register selecte. Otherwise the GO bit is ignored. The processor leaves debug mode after the TAP controller Update-DR state is entered.</p> <p>On a Go+NoExit operation, returning to debug mode is treated as a debug event; thus, exceptions such as machine checks and interrupts may take priority and prevent execution of the intended instruction. Debug firmware should mask these exceptions as appropriate. OSR[ERR] indicates such an occurrence.</p> <p>0 Inactive (no action taken)</p> <p>1 Execute instruction in IR</p>

Table 9-7. OCMD Field Descriptions (continued)

Bits	Name	Description
2	EX	<p>Exit. The Exit command is executed only if the Go command is issued and the operation is a read/write to CPUSCR or a read/write to no register selected. Otherwise, the EX bit is ignored.</p> <p>The processor leaves debug mode after the TAP controller Update-DR state is entered. Note that if the DR bit in the OnCE control register is set or remains set, or if a bit in the DBSR is set, or if a bit in the DBSR is set and DBCR0[EDM] = 1 (external debug mode is enabled), then the processor may return to the debug mode without execution of an instruction, even though the EX bit was set.</p> <p>0 Remain in debug mode 1 Leave debug mode. The processor leaves debug mode and resumes normal operation until another debug request is generated.</p>
3–9	RS	<p>Register select. Defines which register is the source for the read or the destination for the write operation. Table 9-9 indicates the OnCE register addresses. Attempted writes to read-only registers are ignored.</p> <p>000 0000–000 0001 Reserved 000 0010 JTAG ID read-only 000 0011–000 1111 Reserved 001 0000 CPU scan register CPUSCR 001 0001 No register selected bypass 001 0010 OnCE control register OCR 001 0011–001 1111 Reserved 010 0000 Instruction address compare 1 IAC1 010 0001 Instruction address compare 2 IAC2 010 0010 Instruction address compare 3 IAC3 010 0011 Instruction address compare 4 IAC4 010 0100 Data address compare 1 DAC1 010 0101 Data address compare 2 DAC2 010 0110 Data Value Compare 1 (DVC1) (e200z335 only) 010 0111 Data Value Compare 2 (DVC2) (e200z335 only) 010 1000–010 1011 Reserved 010 1100 Debug counter register DBCNT 010 1101 Debug PCFIFO (PCFIFO) read-only 010 1110–010 1111 Reserved 011 0000 Debug status register DBSR 011 0001 Debug control register 0 DBCR0 011 0010 Debug control register 1 DBCR1 011 0011 Debug control register 2 DBCR2 011 0100 Debug control register 3 DBCR3 011 0101 Debug control register 4 DBCR4 (e200z335 only) 011 0110–011 1110 Reserved (do not access) 011 1111 Debug External Resource Control (DBERC0) (e200z335 only) 100 0000–110 1111 Reserved (do not access) 111 0000–111 1001 General purpose register selects [0–9] 111 1010–111 1011 Reserved 111 1100 Nexus2/3–Access–See Chapter 10, “Nexus3 Module.” 111 1101 Reserved 111 1110 Enable_OnCE¹</p>

¹ Causes assertion of the *j_en_once_reg* output. Refer to [Section 9.5.5.3, “OnCE Control Register \(OCR\).”](#)

The OnCE decoder receives as input the 10-bit command from the OCMD and the status signals from the processor, and generates all the strobes required for reading and writing the selected OnCE registers.

Single-stepping of instructions is performed by placing the CPU in debug mode, scanning appropriate information into the CPUSCR, and setting the GO bit (with the EX bit cleared) with the RS field indicating either the CPUSCR or no register selected. After executing a single instruction, the CPU re-enters debug mode and awaits further commands. During single-stepping, exception conditions may occur if not

properly masked by debug firmware (interrupts, machine checks, bus error conditions, and so on) and may prevent the desired instruction from being successfully executed. The OSR[ERR] bit is set to indicate this condition. In these cases, values in the CPUSCR correspond to the first instruction of the exception handler.

Additionally, while single-stepping, to prevent debug events from generating debug interrupts, DBCR0[EDM] is internally forced to 1. Also, during a debug session, DBSR and DBCNT are frozen from updates due to debug events regardless of DBCR0[EDM]. They may still be modified during a debug session through a single-stepped **mtspr** instruction if DBCR0[EDM] is cleared, or through OnCE access if DBCR0[EDM] is set.

9.5.5.3 OnCE Control Register (OCR)

The OCR, shown in [Figure 9-7](#), forces the core into debug mode and enables/disables sections of the OnCE control logic. It also provides control over the MMU during a debug session. (See [Section 9.7, “MMU and Cache Operation during Debug.”](#)) The control bits are read/write. These bits are effective only while OnCE is enabled (*jd_en_once* set).

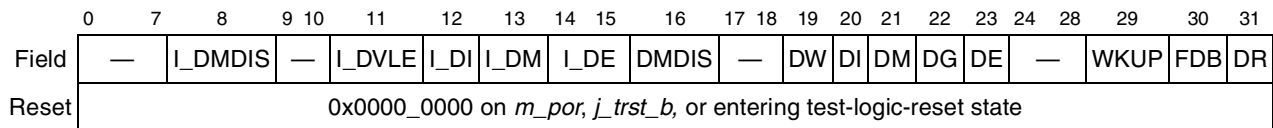


Figure 9-7. OnCE Control Register

[Table 9-8](#) describes OnCE control register fields.

Table 9-8. OnCE Control Register Bit Definitions

Bits	Name	Description
0–7	—	Reserved, should be cleared.
8	I_DMDIS	Instruction side debug MMU disable control bit. May be used to control whether the MMU is enabled or disabled during a debug session for instruction accesses. 0 MMU not disabled for debug sessions. The MMU functions normally. 1 MMU disabled for debug sessions. For instruction accesses, no address translation is performed (1:1 address mapping) and the TLB IME bits are taken from the OCR bits I_DI, I_DM, and I_DE. The SX and UX access permission control bits are set, allowing full access. When disabled, no TLB miss or TLB exceptions are generated for instruction accesses. External access errors can still occur.
9–10	—	Reserved, should be cleared.
11	I_DVLE	Instruction side debug TLB VLE attribute bit. Provides the VLE attribute bit for when the MMU is disabled during a debug session.
12	I_DI	Instruction side debug TLB I attribute bit. Provides the I attribute bit for instruction accesses when the MMU is disabled for instruction accesses during a debug session.
13	I_DM	Instruction side debug TLB M attribute bit. Provides the M attribute bit to be used for instruction accesses when the MMU is disabled for instruction accesses during a debug session.
14	—	Reserved, should be cleared.
15	I_DE	Instruction side debug TLB E attribute bit. Provides the E attribute bit for instruction accesses when the MMU is disabled for instruction accesses during a debug session.

Table 9-8. OnCE Control Register Bit Definitions (continued)

Bits	Name	Description
16	D_DMDIS	Data side debug MMU disable control bit. Controls whether the MMU is enabled normally or is disabled during a debug session for data accesses. 0 MMU not disabled for debug sessions. The MMU functions normally 1 MMU disabled for debug sessions. For data accesses, no address translation is performed (1:1 address mapping) and the TLB WIMGE bits are taken from the OCR bits D_DW, D_DI, D_DM, D_DG, and D_DE bits. The SR, SW, UR, and UW access permission control bits are set to allow full access. When disabled, no TLB miss or TLB exceptions are generated for data accesses. External access errors can still occur.
17–18	—	Reserved, should be cleared.
19	D_DW	Data side debug TLB W attribute bit. Provides the W attribute bit for data accesses when the MMU is disabled for data accesses during a debug session.
20	D_DI	Data side debug TLB I attribute bit. Provides the I attribute bit for data accesses when the MMU is disabled for data accesses during a debug session.
21	D_DM	Data side debug TLB M attribute bit. Provides the M attribute bit for data accesses when the MMU is disabled for data accesses during a debug session.
22	D_DG	Data side debug TLB G attribute bit. Provides the G attribute bit for data accesses when the MMU is disabled for data accesses during a debug session.
23	D_DE	Data side debug TLB E attribute bit. Provides the E attribute bit for data accesses when the MMU is disabled for data accesses during a debug session.
24–28	—	Reserved, should be cleared.
29	WKUP	Wakeup request bit. Used to force the <i>p_wakeup</i> output to be asserted. To ensure that debug resources may be properly accessed by external hardware through scan sequences, debug firmware can use this control function to request that the chip-level clock controller restore the <i>m_clk</i> input to normal operation regardless of whether the core is in a low-power state.
30	FDB	Force breakpoint debug mode. Determines whether the processor is operating in breakpoint debug enable mode. The processor may be placed in breakpoint debug enable mode by setting this bit. In breakpoint debug enable mode, execution of the bkpt pseudo-instruction causes the processor to enter debug mode, as if the <i>jd_de_b</i> input had been asserted. FDB is qualified with DBCR0[EDM], which must be set for FDB to take effect.
31	DR	CPU debug request control. Used to unconditionally request the CPU to enter debug mode. The CPU indicates that debug mode has been entered via the data scanned out in the shift-IR state. 0 No debug mode request 1 Unconditional debug mode request. The processor enters debug mode at the next instruction boundary.

9.5.6 Access to Debug Resources

Resources contained in the OnCE module that do not require the core to be halted for access may be accessed without interfering with processor execution. Accesses to other resources such as the CPUSCR require the core to be placed in debug mode to avoid synchronization hazards. Debug firmware may ensure that it is safe to access these resources by determining the state of the core before access.

NOTE

A scan operation to update the CPUSCR is required before exiting debug mode.

Some cases of write accesses other than accesses to the OnCE command and control registers or DBCR0[EDM] require the *m_clk* to be running for proper operation. The OnCE control register provides a means of signaling this need to a system level clock control module.

In addition, because the CPU may cause multiple bits of certain registers to change state, reads of certain registers while the CPU is running (for example, DBSR and DBCNT) may not have consistent bit settings unless read twice with the same value indicated. To guarantee that the contents are consistent, the CPU should be placed into debug mode, or multiple reads should be performed until consistent values have been obtained on consecutive reads.

Table 9-9 lists access requirements for OnCE registers.

Table 9-9. OnCE Register Access Requirements

Register Name	Access Requirements					Notes
	<i>jd_en_once</i> to be Set	DBCR0 [EDM] = 1	<i>m_clk</i> active for Write Access	CPU to be Halted for Read Access	CPU to be Halted for Write Access	
Enable_OnCE	N	N	N	N	—	
Bypass	N	N	N	N	N	
CPUSCR	Y	Y	Y	Y	Y	
DAC1	Y	Y	Y	N	*1	
DAC2	Y	Y	Y	N	*1	
DBCNT	Y	Y	Y	N	*1	Date read from DBCNT while the CPU is running may not be self-consistent due to synchronization across clock domains.
DBCR0	Y	Y	Y	N	*1	*DBCR0[EDM] access only requires <i>jd_en_once</i> set
DBCR1	Y	Y	Y	N	*1	
DBCR2	Y	Y	Y	N	*1	
DBCR3	Y	Y	Y	N	*1	
DBCR4	Y	Y	Y	N	*1	
DBERC0	Y	N	Y	N	*1	
DBSR	Y	Y	Y	N	*1	Reads of DBSR while the CPU is running may not give data that is self-consistent due to synchronization across clock domains.
IAC1	Y	Y	Y	N	*1	
IAC2	Y	Y	Y	N	*1	
IAC3	Y	Y	Y	N	*1	
IAC4	Y	Y	Y	N	*1	
JTAG ID	N	N	—	N	—	Read only

Table 9-9. OnCE Register Access Requirements (continued)

Register Name	Access Requirements					Notes
	<i>jd_en_once</i> to be Set	DBCR0 [EDM] = 1	<i>m_clk</i> active for Write Access	CPU to be Halted for Read Access	CPU to be Halted for Write Access	
OCR	Y	N	N	N	N	
OSR	Y	N	—	N	—	Read only, accessed by scanning out IR while <i>jd_en_once</i> is set
PC FIFO	Y	N	—	N	—	Read only, updates frozen while OCMD holds PCFIFO register encoding Note: PCFIFO cannot be updated while the OnCE state machine is in Test_Logic_Reset state
Cache debug access control (CDACNTL)	Y	N	Y	Y	Y	CPU must be in debug mode with clocks running
Cache debug access data (CDADATA)	Y	N	Y	Y	Y	CPU must be in debug mode with clocks running
Nexus3-Accesses	Y	N	N	N	N	
External GPRs	Y	N	N	N	N	
LSRL Select	Y	N	?	?	?	System test logic implementation determines LSRL functionality

¹ Writes to these registers while the CPU is running may have unpredictable results due to the pipelined nature of the operation and the fact that updates are not synchronized to a particular clock, instruction, or bus cycle boundary; therefore, it is strongly recommended to ensure the processor is first placed into debug mode before updates to these registers are performed.

9.5.7 Methods for Entering Debug Mode

The OSR indicates that the CPU has entered the debug mode through the debug status bit. The following sections describe how debug mode is entered assuming the OnCE circuitry has been enabled. OnCE operation is enabled by the assertion of the *jd_en_once* input (see [Table 9-2](#)).

Table 9-10 describes the methods for entering debug mode.

Table 9-10. Methods for Entering Debug Mode

Method Name	Description
External debug request during reset	<p>Holding <i>jd_de_b</i> asserted while <i>p_reset_b</i> is asserted and holding it asserted following the negation of <i>p_reset_b</i> causes the core to enter debug mode. After receiving an acknowledge through the OnCE status register debug bit, the external command controller should negate <i>jd_de_b</i> before sending the first command. Note that in this case the core does not execute an instruction before entering debug mode, although the first instruction to be executed may be fetched before entering debug mode.</p> <p>In this case, all values in the debug scan chain are undefined and the external debug control module is responsible for proper initialization of the chain before debug mode is exited. In particular, the exception processing associated with reset may not be performed when debug mode is exited; thus, the debug controller must initialize PC, MSR, and IR to the image that the processor would have obtained in performing reset exception processing, or it must cause the appropriate bit reset to be re-asserted.</p>
Debug request during reset	<p>Setting OCR[DR] while <i>p_reset_b</i> is asserted causes the device to enter debug mode; the chip may fetch the first instruction of the reset interrupt handler but does not execute an instruction before entering debug mode. In this case, all values in the debug scan chain are undefined and the external debug control module is responsible for properly initializing the chain before debug mode is exited. In particular, interrupt processing associated with reset may not be performed when debug mode is exited; thus, the debug controller must initialize PC, MSR, and IR to the image that the processor would have obtained in performing reset exception processing, or it must cause the appropriate reset to be re-asserted.</p>
Debug request during normal activity	<p>Setting OCR[DR] during normal chip activity causes the chip to finish execution of the current instruction and then enter debug mode. Note that in this case the chip completes execution of the current instruction and stops after the newly fetched instruction enters the CPU instruction register. This process is the same for any newly fetched instruction, including instructions fetched by the interrupt processing or those aborted by the interrupt processing.</p>
Debug request during halted or stopped state	<p>Setting OCR[DR] when the device is in the halted or stopped state (<i>p_halted</i> or <i>p_stopped</i> set) causes the CPU to exit the state and enter debug mode once the CPU clock <i>m_clk</i> has been restored. Note that in this case, the CPU negates both the <i>p_halted</i> and <i>p_stopped</i> outputs. Once the debug session has ended, the CPU returns to the state it was in before entering debug mode.</p> <p>To signal the chip-level clock generator to re-enable <i>m_clk</i>, the <i>p_wakeup</i> output is set whenever the debug block is asserting a debug request to the CPU due to OCR[DR] being set, or <i>jd_de_b</i> assertion, and remains set from then until the debug session ends (<i>jd_debug_b</i> goes from set to negated). In addition, the status of the <i>jd_mclk_on</i> input (after synchronization to the <i>j_tclk</i> clock domain) may be sampled along with other status bits from the <i>j_tdo</i> output during the Shift-IR TAP controller state. This status may be used if necessary by external debug firmware to ensure that proper scan sequences occur to registers in the <i>m_clk</i> clock domain.</p>
Software request during normal activity	<p>Upon executing a '<i>bkpt</i>' pseudo-instruction (for the core, defined to be an all zeros instruction opcode), when OCR [FDB] is set (debug mode enable control bit is true) and DBCR0[EDM] = 1, the CPU enters debug mode after the instruction following the '<i>bkpt</i>' pseudo-instruction has entered the instruction register.</p>

9.5.8 CPU Status and Control Scan Chain Register (CPUSCR)

A number of on-chip registers store the CPU pipeline status and are configured in a single scan chain for access by the OnCE controller. CPUSCR contains these processor resources, which are used to restore the pipeline and resume normal chip activity upon return from debug mode, as well as a mechanism for the emulator software to access processor and memory contents. Figure 9-8 shows the block diagram of the pipeline information registers contained in the CPUSCR. Once debug mode has been entered, it is required to scan in and update this register before exiting debug mode.

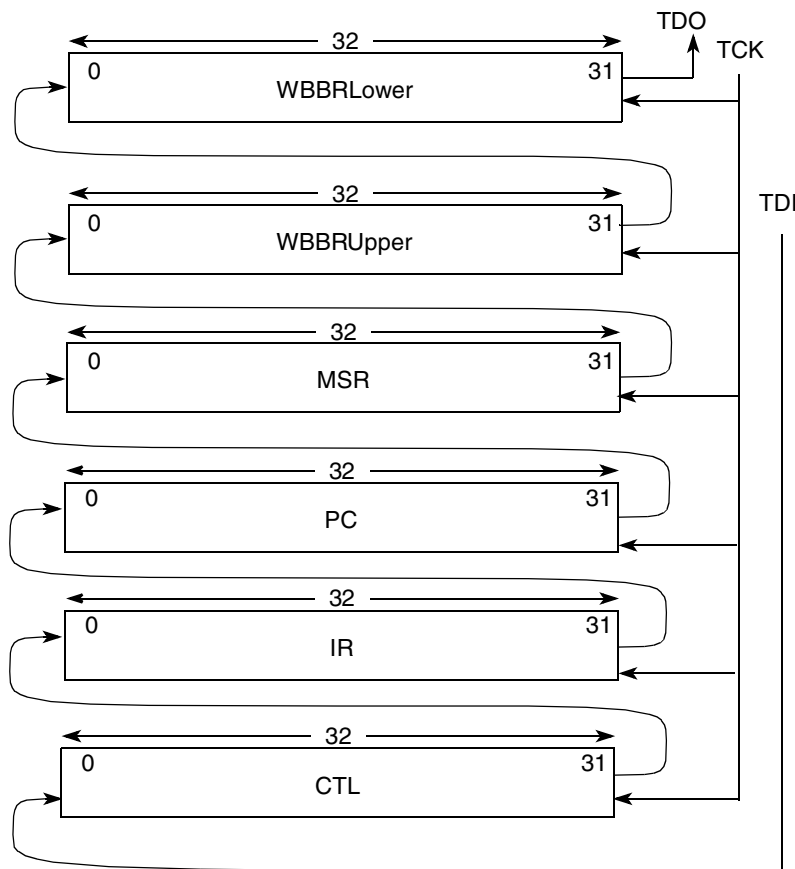


Figure 9-8. CPU Scan Chain Register (CPUSCR)

9.5.8.1 Instruction Register (IR)

The instruction register provides a way to control the debug session by serving as a means of forcing in selected instructions and causing them to be executed in a controlled manner by the debug control block. The opcode of the next instruction to be executed when entering debug mode is contained in this register when the scan-out of this chain begins. This value should be saved for later restoration if continuation of the normal instruction stream is desired.

On scan-in, in preparation for exiting debug mode, this register is filled with an instruction opcode selected by debug control software. By selecting appropriate instructions and controlling the execution of those instructions, the results of execution may be used to examine or change memory locations and processor registers. The debug control module external to the processor core controls execution by providing a single-step capability. Once the debug session is complete and normal processing is to be resumed, this register may be loaded with the value originally scanned out.

9.5.8.2 Control State Register (CTL)

The control state register (CTL), shown in [Figure 9-9](#), stores the value of certain internal CPU state variables before debug mode is entered. This register is affected by the operations performed during the debug session and should normally be restored by the external command controller when returning to

normal mode. In addition to saved internal state variables, two of the bits are used by emulation firmware to control the debug process. In certain circumstances, emulation firmware must modify the content of this register as well as the PC and IR values in the CPUSCR before exiting debug mode. These cases are described more specifically in the text after the table.

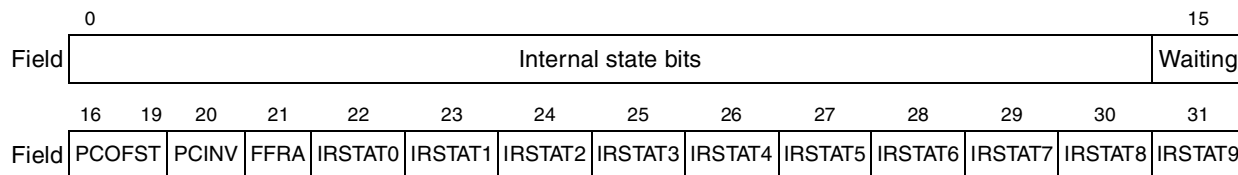


Figure 9-9. Control State Register (CTL)

Table 9-11. CTL Field Definitions

Bits	Name	Description
0–15	Internal state bits	Internal state bits. These control bits represent the internal processor state and should be restored to their original value after a debug session is completed, that is, when a OnCE command is issued with the GO and EX bits set and not ignored. When performing instruction execution during a debug session (see Section 9.2.1, “Software Debug Facilities”), these bits should be cleared.
15	Waiting	<p>WAITING State Status</p> <p>This bit indicates whether the CPU was in the waiting state prior to entering debug mode. If set, the CPU was in the waiting state. Upon exiting a debug session, the value of this bit in the restored CPUSCR will determine whether the CPU re-enters the waiting state on a go+exit.</p> <p>0 CPU was not in the waiting state when debug mode was entered 1 CPU was in the waiting state when debug mode was entered</p>
16–19	PCOFST	<p>PC offset field. Indicates whether the value in the PC portion of the CPUSCR must be adjusted before exiting debug mode. Due to the pipelined nature of the CPU, the PC value must be backed up by emulation software in certain circumstances. The PCOFST field specifies the value to be subtracted from the original value of the PC. This adjusted PC value should be restored into the PC portion of the CPUSCR just before exiting debug mode with a Go+Exit. In the event the PCOFST is non-zero, the IR should be loaded with a nop instruction instead of the original IR value; otherwise, the original value of IR should be restored (but see PCINV which overrides this field).</p> <p>0000 No correction required 0001 Subtract 0x04 from PC. 0010 Subtract 0x08 from PC. 0011 Subtract 0x0C from PC. 0100 Subtract 0x10 from PC. 0101 Subtract 0x14 from PC. All other encodings are reserved.</p>
20	PCINV	<p>PC and IR invalid status bit. This status bit indicates that the values in the IR and PC portions of the CPUSCR are invalid. Exiting debug mode with the saved values in the PC and IR will have unpredictable results. Debug firmware should initialize the PC and IR values in the CPUSCR with desired values before exiting debug mode if this bit was set when debug mode was initially entered.</p> <p>0 No error condition exists. 1 Error condition exists. PC and IR are corrupted.</p>

Table 9-11. CTL Field Definitions (continued)

Bits	Name	Description
21	FFRA	Feed forward RA operand bit. This control bit causes the content of the WBBR _{lower} to be used as the rA (rS for logical and shift operations) operand value of the first instruction to be executed following an update of the CPUSCR. This allows the debug firmware to update processor registers, initialize the WBBR _{lower} with the desired value, set the FFRA bit, and execute an ori Rx,Rx,0 instruction to the desired register. 0 No action 1 Content of WBBR used as rA (rS for logical and shift operations) operand value
22	IRSTAT0	IR status bit 0. This control bit indicates an ERROR termination status for the IR. 0 No TEA occurred on the fetch of this instruction. 1 A TEA occurred on the fetch of this instruction
23	IRSTAT1	IR status bit 1. Indicates a TLB miss status for the IR. 0 No TLB miss occurred on the fetch of this instruction. 1 TLB miss occurred on the fetch of this instruction.
24	IRSTAT2	IR status bit 2. Indicates an instruction address compare 1 event status for the IR. 0 No instruction address compare 1 event occurred on the fetch of this instruction. 1 An instruction address compare 1 event occurred on the fetch of this instruction.
25	IRSTAT3	IR status bit 3. Indicates an instruction address compare 2 event status for the IR. 0 No instruction address compare 2 event occurred on the fetch of this instruction. 1 An instruction address compare 2 event occurred on the fetch of this instruction.
26	IRSTAT4	IR status bit 4. Indicates an instruction address compare 3 event status for the IR. 0 No instruction address compare 3 event occurred on the fetch of this instruction. 1 An instruction address compare 3 event occurred on the fetch of this instruction.
27	IRSTAT5	IR status bit 5. Indicates an instruction address compare 4 event status for the IR. 0 No instruction address compare 4 event occurred on the fetch of this instruction. 1 An instruction address compare 4 event occurred on the fetch of this instruction.
28	IRSTAT6	IR status bit 6. This control bit indicates a parity error status for the IR. 0 No parity error occurred on the fetch of this instruction. 1 A parity error occurred on the fetch of this instruction.
29	IRSTAT7	IR status bit 7. Indicates a precise external termination error status for the IR. 0 No precise external termination error occurred on the fetch of this instruction. 1 Precise external termination error occurred on the fetch of this instruction.
30	IRSTAT8	IR status bit 8. Indicates the VLE status for the IR. IRStat8 affects the behavior of IRStat9. 0 IR contains a BookE instruction. 1 IR contains a VLE instruction, aligned in the most significant portion of IR if 16-bit.
31	IRSTAT9	IR status bit 9. Indicates the VLE byte-ordering error status for the IR or a Book E misaligned instruction fetch, depending on the state of IRStat8. 0 IR contains an instruction without a byte-ordering error and no misaligned instruction fetch exception has occurred (no MIF). 1 If IRStat8 = 0, A Book E misaligned instruction fetch exception occurred while filling the IR. If IRStat8 = 1, IR contains an instruction with a byte-ordering error due to mismatched VLE page attributes, or due to E indicating little-endian for a VLE page.

Emulation firmware should modify the CTL, PC, and IR values in the CPUSCR during execution of debug-related instructions as well as just before exiting debug with a Go+Exit command. During the debug session, the CTL register should be written with the FFRA bit set as appropriate and all other bits cleared, and with IR set to the value of the desired instruction to be executed.

The PCINV status bit which was originally present when debug mode was first entered should be tested before exiting debug mode with a Go+Exit and, if set, the PC and IR initialized for performing whatever recovery sequence is appropriate for a faulted exception vector fetch. If the PCINV bit is cleared, the PCOFST bits should be examined to determine whether the PC value must be adjusted. Due to the pipelined nature of the CPU, the PC value must be backed up by emulation software in certain circumstances. The PCOFST field specifies the value to be subtracted from the original value of the PC. This adjusted PC value should be restored into the PC portion of the CPUSCR just before exiting debug mode with a Go+Exit. In the event that PCOFST is non-zero, the IR should be loaded with a nop instruction (such as **ori r0,r0,0**) instead of the original IR value; otherwise, the original value of IR should be restored. Note that when a correction is made to the PC value, it generally points to the last completed instruction, although that instruction will not be re-executed. The nop instruction is executed instead, and instruction fetch and execution resumes at location PC+4.

For CTL, the internal state bits should be restored to their original value. The IRStatus bits should be cleared if the PC was adjusted. If no PC adjustment was performed, emulation firmware should determine whether IRStat2–5 should be cleared to avoid re-entry into debug mode for an instruction breakpoint request. On exiting debug mode with Go+Exit, if one of these bits is set, debug mode is re-entered before any further instruction execution.

9.5.8.3 Program Counter Register (PC)

The PC is a 32-bit register that stores the value of the program counter that was present when the chip entered debug mode. It is affected by the operations performed during debug mode and must be restored by the external command controller when the CPU returns to normal mode. PC normally points to the instruction contained in the IR portion of CPUSCR. If debug firmware wishes to redirect program flow to an arbitrary location, the PC and IR should be initialized to correspond to the first instruction to be executed on resumption of normal processing. Alternatively, the IR may be set to a nop and the PC set to point to the location before the location at which it is desired to redirect flow to. On exiting debug mode the nop is executed, and instruction fetch and execution resumes at PC+4.

9.5.8.4 Write-Back Bus Register (WBBR (lower) and WBBR (upper))

WBBR provides a way to pass operand information between the CPU and the external command controller. Whenever the external command controller needs to read the contents of a register or memory location, it forces the chip to execute an instruction that brings that information to WBBR. WBBR_{lower} holds the 32-bit result of most instructions including load data returned for a load or load with update instruction. For SPE instructions that generate 64-bit results, WBBR_{lower} holds the low-order 32 bits of the result. WBBR_{upper} holds the updated effective address calculated by a load with update instruction. For SPE instructions that generate 64-bit results, WBBR_{upper} holds the high-order 32 bits of the result. It is undefined for other instructions.

As an example, to read the lower 32 bits of processor register r1, an **ori r1,r1,0** instruction is executed, and the result value of the instruction is latched into WBBR_{lower}. The contents of WBBR_{lower} can then be delivered serially to the external command controller. To update a processor resource, this register is initialized with a data value to be written, and an **ori** instruction is executed that uses this value as a substitute data value. The control state register FFRA bit forces the value of the WBBR_{lower} to be

substituted for the normal RS source value of the **ori** instruction, thus allowing updates to processor registers to be performed. (Refer to [Section 9.5.8.2, “Control State Register \(CTL\),”](#) for more details.)

WBBR_{lower} and WBBR_{upper} are generally undefined on instructions that do not write back a result and, due to control issues, are not defined on **lmw** or branch instructions either.

To read and write the entire 64 bits of a GPR, both WBBR_{lower} and WBBR_{upper} are used. For reads, an **evslwi r_n,r_n,0** may be used. For writes, the same instruction may be used, but the CTL[FFRA] bit must be set as well.

NOTE

MSR[SPE] must be set in order for these operations to be performed properly.

9.5.8.5 Machine State Register (MSR)

The MSR is a 32-bit register used to read/write the machine state register (MSR). Whenever the external command controller needs to save or modify the contents of the machine state register, this register is used. This register is affected by the operations performed during debug mode and must be restored by the external command controller when returning to normal mode. [Chapter 2, “Register Model,”](#) further describes the MSR.

9.5.9 Instruction Address FIFO Buffer (PC FIFO)

To assist debugging and keep track of program flow, a first-in-first-out (FIFO) buffer stores the addresses of the last eight instruction change-of-flow destinations that were fetched. These include exception vectoring to an exception handler and returns, as well as pipeline refills due to execution of the **isync** instruction.

The PC FIFO stores the addresses of the last eight instruction change-of-flow addresses that were actually taken. The FIFO is implemented as a circular buffer containing eight 32-bit registers and one 3-bit counter. All the registers have the same address, but any read access to the FIFO address causes the counter to increment, making it point to the next FIFO register. The registers are serially available to the external command controller through the common FIFO address. [Figure 9-10](#) shows the block diagram of the PC FIFO.

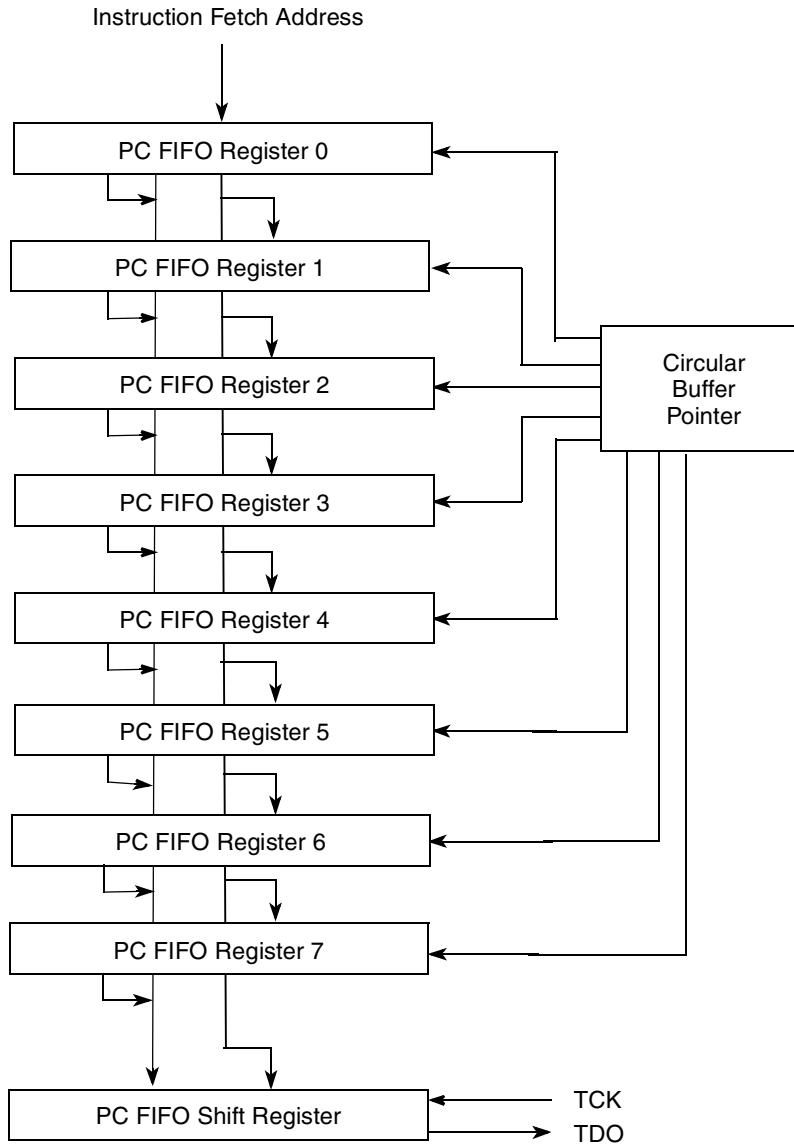


Figure 9-10. OnCE PC FIFO

The FIFO is not affected by the operations performed during a debug session except for the FIFO pointer increment when reading the FIFO. When entering debug mode, the FIFO counter is pointing to the FIFO register containing the address of the oldest of the eight change-of-flow prefetches. When OCMD [RS] is loaded with the value corresponding to the PC FIFO (010 1101), the current pointer value is captured into a temporary register. This temporary value (not the actual FIFO counter) is incremented as FIFO reads are performed. The first FIFO read obtains the oldest address and the following FIFO read returns the other addresses from the oldest to the newest (the order of execution).

Updates to the FIFO are frozen whenever the OCMD register contains a command whose RS[0–6] field points to the PC FIFO (010 1101) to allow firmware to read the contents of the PC FIFO without placing the CPU into debug mode. After completing all accesses to the PC FIFO, another OCMD value that does not select the PC FIFO should be entered to allow the PC FIFO to resume updating.

To ensure FIFO coherence, a complete set of eight reads of the FIFO should be performed because each read increments the temporary FIFO pointer, thus making it point to the next location. After eight reads the pointer points to the same location it pointed to before starting the read procedure. The temporary counter value captures the actual counter each time the OCMD RS field transitions to the value corresponding to the PC FIFO (010 1101).

The FIFO pointer is reset to entry 0 when either *j_trst_b* or *m_por* is set.

9.5.10 Reserved Registers

The reserved registers are used to control various test control logic. These registers are not intended for customer use. To preclude device and/or system damage, these registers should not be accessed.

9.6 Watchpoint Support

The core supports the generation and signaling of watchpoints when operating in internal debug mode (DBCR0[IDM] = 1) or in external debug mode (DBCR0[EDM] = 1). Watchpoints are indicated with a dedicated set of interface signals. The *jd_watchpoint[0:7]* output signals are used to indicate that a watchpoint has occurred.

Each debug address compare function (IAC1–IAC4, DAC1 and DAC2) and debug counter event (DCNT1 and DCNT2) can trigger a watchpoint output. The DBCR1, DBCR2, and DBCR3 control fields are used to configure watchpoints, regardless of whether events are enabled in DBCR0. Watchpoints may occur whenever an associated event would have been posted in the debug status register if enabled. No explicit enable bits are provided for watchpoints; they are always enabled by definition (except during a debug session). If not desired, the base address values for these events may be programmed to an unused system address. MSR[DE] has no effect on watchpoint generation.

External logic may monitor the assertion of these signals for debugging purposes. Watchpoints are signaled in the clock cycle following the occurrence of the actual event. The Nexus3 or Nexus 2+ module also monitors assertion of these signals for various development control purposes (see [Section 9.6, “Watchpoint Support”](#)).

Table 9-12. Watchpoint Output Signal Assignments

Signal Name	Type	Description
<i>jd_watchpt[0]</i>	IAC1	Instruction address compare 1 watchpoint. Set whenever an IAC1 compare occurs regardless of whether IAC1 compares are enabled to set DBSR status.
<i>jd_watchpt[1]</i>	IAC2	Instruction address compare 2 watchpoint. Set whenever an IAC2 compare occurs regardless of whether IAC2 compares are enabled to set DBSR status.
<i>jd_watchpt[2]</i>	IAC3	Instruction address compare 3 watchpoint. Set whenever an IAC3 compare occurs regardless of whether IAC3 compares are enabled to set DBSR status.
<i>jd_watchpt[3]</i>	IAC4	Instruction address compare 4 watchpoint. Set whenever an IAC4 compare occurs regardless of whether IAC4 compares are enabled to set DBSR status.
<i>jd_watchpt[4]</i>	DAC1 ¹	Data address compare 1 watchpoint. Set whenever a DAC1 compare occurs regardless of whether DAC1 compares are enabled to set DBSR status.

Table 9-12. Watchpoint Output Signal Assignments (continued)

Signal Name	Type	Description
<i>jd_watchpt[5]</i>	DAC2 ¹	Data address compare 2 watchpoint. Set whenever a DAC2 compare occurs regardless of whether DAC2 compares are enabled to set DBSR status.
<i>jd_watchpt[6]</i>	DCNT1	Debug counter 1 watchpoint. Set whenever debug counter 1 decrements to zero regardless of whether DCNT1 compares are enabled to set DBSR status.
<i>jd_watchpt[7]</i>	DCNT2	Debug counter 2 watchpoint. Set whenever debug counter 2 decrements to zero regardless of whether DCNT2 compares are enabled to set DBSR status.

¹ If the corresponding event is completely disabled in DBCR0, either load-type or store-type data accesses are allowed to generate watchpoints, otherwise watchpoints are generated only for the enabled conditions.

9.7 MMU and Cache Operation during Debug

Normal operation of the MMU may be modified during a debug session using the OnCE OCR. A debug session begins when the CPU initially enters debug mode and ends when a OnCE command with Go+Exit is executed, releasing the CPU for normal operation. If desired during a debug session, the debug firmware may disable the translation process and may substitute default values for the access protection (UX, UR, UW, SX, SR, SW) bits, and values obtained from the OnCE control register and page attribute (VLE, W, I, M, G, E) bits normally provided by a matching TLB entry. In addition, no address translation is performed; instead, a 1:1 mapping of effective-to-real addresses is performed.

When disabled during a debug session, TLB miss or TLB-related DSI conditions cannot occur. If the debugger desires to use the normal translation process, the MMU may be left enabled in the OnCE OCR, and normal translation (including the possibility of a TLB miss or DSI) remains in effect.

The OCRDMDIS, DW, DI, DM, DG, and DE control bits are used when debug mode is entered. Refer to the bit definitions in the OCR (See [Section 9.5.5.3, “OnCE Control Register \(OCR\),”](#) for more detail). These substituted page attribute bits control cache operation on accesses initiated during debug. No address translation is performed; instead, a 1:1 mapping between effective and real addresses is performed.

9.8 Enabling, Using, and Exiting External Debug Mode: Example

The following steps show one possible scenario for a debugger wishing to use the external debug facilities. This simplified flow shows basic operations and does not cover all potential methods in depth.

Enable external debug mode and initialize debug registers:

1. To enable OnCE operation, the debugger should ensure that the *jd_en_once* is set.
2. Write a value to OCR in which OCR[DR] and OCR[WKUP] are set. The TAP controller must step through the proper states as outlined earlier. This step places the CPU in a debug state where it is halted and awaiting single-step commands or a release to normal mode.
3. Scan out the OSR value to determine that the CPU clock is running and the CPU has entered debug state. This can be done in conjunction with a CPUSCR read. The OSR is shifted out during the Shift-IR state. The CPUSCR is shifted out during the Shift-DR state. The debugger should save the scanned-out value of CPUSCR for later restoration.
4. Select the DBCR0 register and update it with DBCR0[EDM] set.

5. Clear the DBSR status bits.
6. Write appropriate values to the DBCR0–DBCR3, IAC, DAC, and DBCNT registers.

NOTE

The initial write to DBCR0 only affects the EDM bit, so the remaining portion of the register must now be initialized, keeping the EDM bit set.

At this point the system is ready to begin debug operations. Depending on the desired operation, different steps must occur.

1. Optionally set the OCR[DMDIS] control bit to ensure that no TLB misses occur while performing the debug operations.
2. Optionally ensure that the values entered into the MSR portion of the CPUSCR during the following steps cause interrupts to be disabled (clearing MSR[EE] and MSR[CE]). This ensures that external interrupt sources do not cause single-step errors.

To single-step the CPU:

1. The debugger scans in either a new or a previously saved value of the CPUSCR (with appropriate modification of the PC and IR as described in [Section 9.5.8.2, “Control State Register \(CTL\)”](#)) with a Go+NoExit OnCE command value.
2. The debugger scans out the OSR with no register selected, GO cleared, and determines that the PCU has re-entered the debug state and that no ERR condition occurred.

To return the CPU to normal operation (without disabling external debug mode):

1. OCR[DMDIS] and OCR[DR] should be cleared, leaving OCR[WKUP] set.
2. The debugger restores the CPUSCR with a previously saved value of the CPUSCR (with appropriate modification of the PC and IR as described in [Section 9.5.8.2, “Control State Register \(CTL\)”](#)), with a Go+Exit OnCE command value.
3. OCR[WKUP] may then be cleared.

To exit external debug mode:

1. The debugger should place the CPU in the debug state through the OCR[DR] with OCR[WKUP] set, scanning out and saving the CPUSCR.
2. The debugger should write to DBCR0–DBCR3 as needed, likely clearing every enable except DBCR0[EDM].
3. The debugger should write the DBSR to a cleared state.
4. The debugger should rewrite the DBCR0 with all bits including EDM cleared.
5. The debugger should clear OCR[DR].
6. The debugger restores the CPUSCR with the previously saved value of the CPUSCR (with appropriate modification of the PC and IR as described in [Section 9.5.8.2, “Control State Register \(CTL\)”](#)) with a Go+Exit OnCE command value.
7. OCR[WKUP] may then be cleared.

NOTE

These steps are meant by way of examples rather than as an exact template for debugger operation.

Chapter 10

Nexus3/Nexus2+ Module

The e200z3 Nexus3 module provides real-time development capabilities for e200z3 processors in compliance with the *IEEE-ISTO Nexus 5001-2003* standard. This module provides development support capabilities without requiring the use of address and data pins for internal visibility. Note that the e200z335 supports Nexus 2+ with additional Class 3 and Class 4 features available.

A portion of the pin interface (the JTAG port) is also shared with the OnCE/Nexus1 unit. The *IEEE-ISTO 5001-2003* standard defines an extensible auxiliary port which is used in conjunction with the JTAG port in e200z3 processors.

10.1 Introduction

10.1.1 General Description

This chapter defines the auxiliary pin functions, transfer protocols and standard development features of a class 3 (class 2 in e200z335) device in compliance with the *IEEE-ISTO Nexus 5001-2003* standard. The development features supported are program trace, data trace, watchpoint messaging, ownership trace, and read/write access through the JTAG interface. The Nexus3 module also supports two class 4 features: watchpoint triggering, and processor overrun control.

10.1.2 Terms and Definitions

Table 10-1 contains a set of terms and definitions associated with the Nexus3 module.

Table 10-1. Terms and Definitions

Term	Description
IEEE-ISTO 5001	Consortium and standard for real-time embedded system design. World Wide Web documentation at the Nexus 5001™ Forum website.
Auxiliary port	Refers to Nexus auxiliary port. Used as auxiliary port to the IEEE 1149.1 JTAG interface.
Branch trace messaging (BTM)	Visibility of addresses for taken branches and exceptions, and the number of sequential instructions executed between each taken branch.
Data read message (DRM)	External visibility of data reads to memory-mapped resources.
Data write message (DWM)	External visibility of data writes to memory-mapped resources.
Data trace messaging (DTM)	External visibility of how data flows through the embedded system. This may include DRM and/or DWM.
JTAG compliant	Device complying to IEEE 1149.1 JTAG standard.

Table 10-1. Terms and Definitions (continued)

Term	Description
JTAG IR and DR sequence	JTAG instruction register (IR) scan to load an opcode value for selecting a development register. The JTAG IR corresponds to the OnCE command register (OCMD). The selected development register is then accessed through a JTAG data register (DR) scan.
Nexus1	The e200z3 (OnCE) debug module. This module integrated with each e200z3 processor provides all static, core-halted, debug functionality. This module complies with class 1 of the IEEE-ISTO 5001 standard.
Ownership trace message (OTM)	Visibility of process/function that is currently executing.
Public messages	Messages on the auxiliary pins for meeting common visibility and controllability requirements.
SOC	System-on-a-chip (SOC) signifies all of the modules on a single die. This generally includes one or more processors with associated peripherals, interfaces, and memory modules.
Standard	The phrase “according to the standard” is used to indicate the IEEE-ISTO 5001 standard.
Transfer code (TCODE)	Message header that identifies the number and/or size of packets to be transferred and how to interpret each of the packets.
Watchpoint	A data or instruction breakpoint that does not cause the processor to halt. Instead, a pin is used to signal that the condition occurred. A watchpoint message is also generated.

10.1.3 Feature List

The Nexus3 module is compliant with class 3 of the *IEEE-ISTO 5001-2003* standard. The following features are implemented:

- Program trace through branch trace messaging (BTM). Displays program flow discontinuities, direct and indirect branches, and exceptions, allowing the development tool to interpolate what transpires between the discontinuities. Thus static code may be traced.
- Data trace by means of data write messaging (DWM) and data read messaging (DRM). DRM and DWM provide the capability for the development tool to trace reads and/or writes to selected internal memory resources.
- Ownership trace by means of ownership trace messaging (OTM). Facilitates ownership trace by providing visibility of which process ID or operating system task is activated. An ownership trace message is transmitted when a new process/task is activated, allowing the development tool to trace ownership flow.
- Run-time access to embedded processor registers and memory map through the JTAG port. This allows for enhanced download/upload capabilities.
- Watchpoint messaging through the auxiliary pins
- Watchpoint trigger enable of program and/or data trace messaging
- Auxiliary interface for higher data input/output:
 - Configurable, min/max, message data out pins, *nex_mdo[n:0]*
 - One or two message start/end out pins, *nex_mseo_b[1:0]*
 - One read/write ready pin, *nex_rdy_b*

- One watchpoint event pin, *nex_evto_b*
- One event in pin, *nex_evti_b*
- One message clock out (MCKO) pin
- Registers for program trace, data trace, ownership trace, and watchpoint trigger
- All features controllable and configurable through the JTAG port

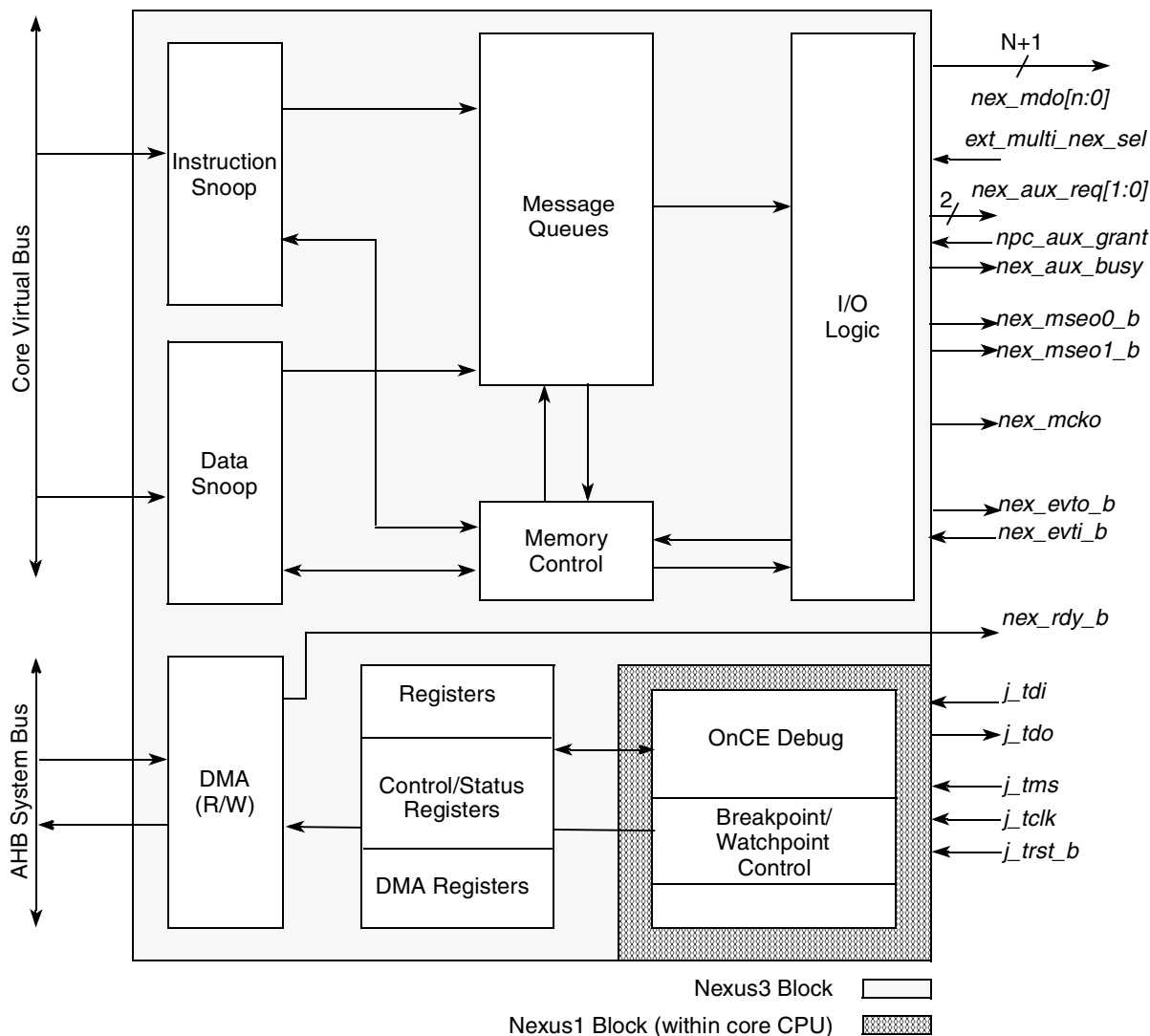
NOTE

Configuration of the message data out pins is controlled by the port control register at the SoC level in multiple Nexus implementations. For single Nexus implementations, this configuration is controlled by DC1 within the e200z3 Nexus3 module.

In either implementation, full port mode (FPM—maximum number of MDO pins) or reduced port mode (RPM—minimum number of MDO pins) is supported. This setting should not be changed while the system is running.

NOTE

The configuration of the message start/end out pins, 1 or 2, is determined at the SOC integration level. This option is hard-wired based on SOC bandwidth requirements. [Figure 10-1](#) and [Figure 10-2](#) shows the functional block diagram.



Note: The *nex_aux_req[1:0]*, *npc_aux_grant*, and *nex_aux_busy* signals are used for inter-module communication in a multiple Nexus environment. They are not pins on the SoC.

Figure 10-1. Nexus3 Functional Block Diagram

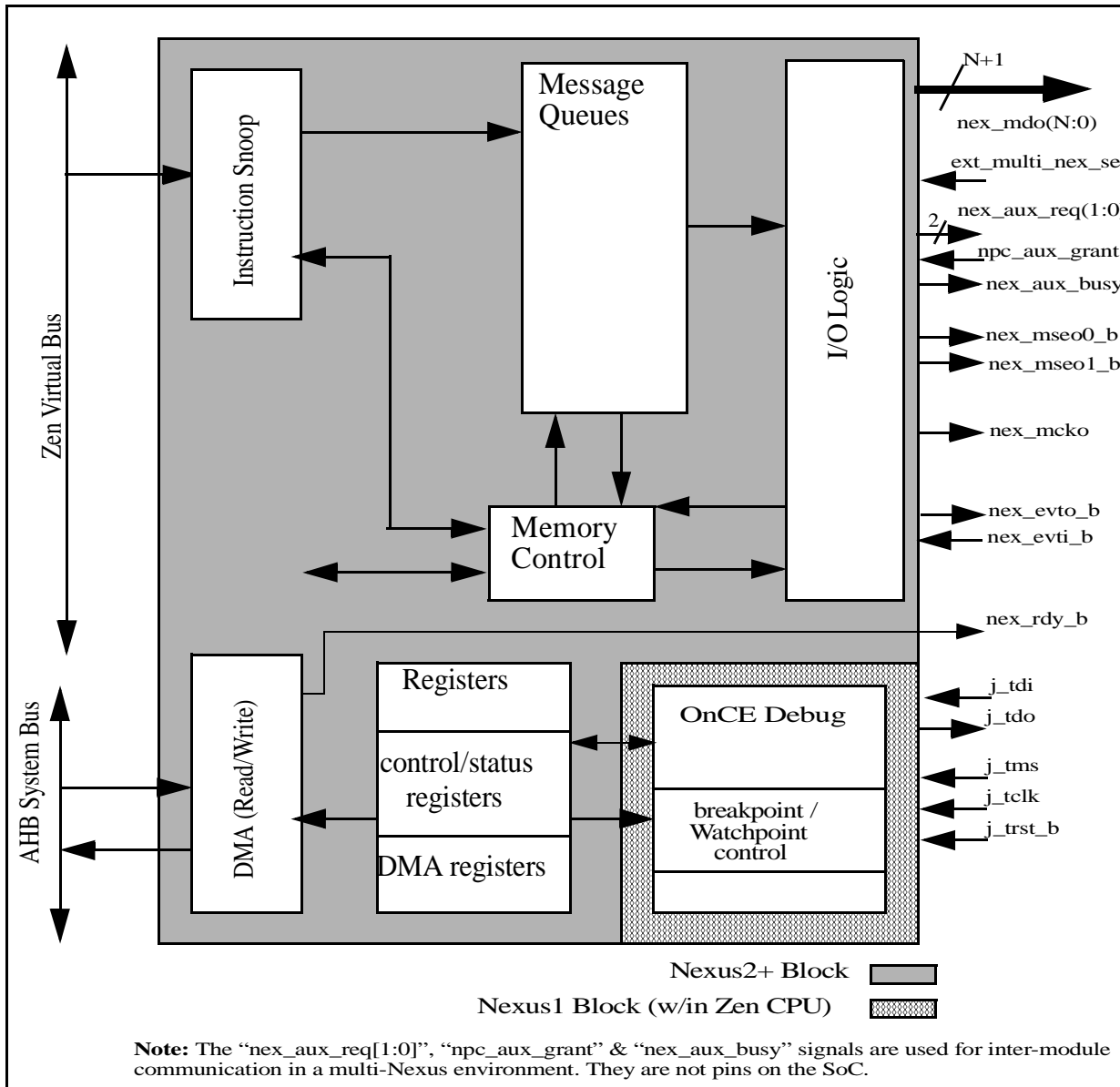


Figure 10-2. Nexus2+ Functional Block Diagram

10.2 Enabling Nexus3 Operation

The Nexus module is enabled by loading a single instruction, NEXUS3-Access, into the JTAG instruction register/OnCE OCMD register. For the e200z3 Nexus3 module, the OCMD value is 0b00_0111_1100. Once enabled, the module is ready to accept control input through the JTAG/OnCE pins.

The Nexus module is disabled when the JTAG state machine reaches the test-logic-reset state. This state can be reached by the assertion of the *j_trst_b* pin or by cycling through the state machine using the *j_tms* pin. The Nexus module can also be disabled if a power-on reset (POR) event occurs. If the Nexus3 module

is disabled, no trace output is provided, and the module disables auxiliary port output pins, *nex_mdo[n:0]*, *nex_mseo[1:0]*, and *nex_mcko*. Nexus registers are not available for reads or writes.

NOTE

See *Nexus 3 Integration Guide* for details on *IEEE-ISTO 5001* compliance output pins & multiple Nexus module configurations.

10.3 TCODEs Supported

The Nexus3/Nexus2+ pins allow for flexible transfer operations through public messages. A TCODE defines the transfer format, the number and/or size of the packets to be transferred, and the purpose of each packet. The *IEEE-ISTO 5001-2003* standard defines a set of public messages. The Nexus3/Nexus2+ block supports the public TCODEs seen in [Table 10-2](#). Each message contains multiple packets transmitted in the order shown in the table.

Table 10-2. Public TCODEs Supported

Message Name	Minimum Packet Size (Bits)	Maximum Packet Size (Bits)	Packet Type	Packet Description
Debug status	6	6	Fixed	TCODE number = 0 (0x00)
	4	4	Fixed	Source processor identifier (multiple Nexus configuration)
	8	8	Fixed	Debug status register (DS[31–24])
Ownership trace message	6	6	Fixed	TCODE number = 2 (0x02)
	4	4	Fixed	Source processor identifier (multiple Nexus configuration)
	32	32	Fixed	Task/process ID tag
Program trace–Direct branch message	6	6	Fixed	TCODE number = 3 (0x03)
	4	4	Fixed	Source processor identifier (multiple Nexus configuration)
	1	8	Variable	Number of sequential instructions executed since last taken branch
Program trace–Indirect branch message	6	6	Fixed	TCODE number = 4 (0x04)
	4	4	Fixed	Source processor identifier (multiple Nexus configuration)
	1	8	Variable	Number of sequential instructions executed since last taken branch
	1	32	Variable	Unique part of target address for taken branches/exceptions
Data trace–Data write message	6	6	Fixed	TCODE number = 5 (0x05)
	4	4	Fixed	Source processor identifier (multiple Nexus configuration)
	3	3	Fixed	Data size. Refer to Table 10-6 .
	1	32	Variable	Unique portion of the data write address
	1	64	Variable	Data write value(s). See data trace section for details.

Table 10-2. Public TCODEs Supported (continued)

Message Name	Minimum Packet Size (Bits)	Maximum Packet Size (Bits)	Packet Type	Packet Description
Data trace–Data read message	6	6	Fixed	TCODE number = 6 (0x06)
	4	4	Fixed	Source processor identifier (multiple Nexus configuration)
	3	3	Fixed	Data size. Refer to Table 10-6 .
	1	32	Variable	Unique portion of the data read address
	1	64	Variable	Data read value(s). See data trace section for details.
Error message	6	6	Fixed	TCODE number = 8 (0x08)
	4	4	Fixed	Source processor identifier (multiple Nexus configuration)
	5	5	Fixed	Error code
Program trace–Direct branch message with synchronization	6	6	Fixed	TCODE number = 11 (0x0B)
	4	4	Fixed	Source processor identifier (multiple Nexus configuration)
	1	8	Variable	Number of sequential instructions executed since last taken branch
	1	32	Variable	Full target address (leading zeros truncated)
Program trace–Indirect branch message with synchronization	6	6	Fixed	TCODE number = 12 (0x0C)
	4	4	Fixed	Source processor identifier (multiple Nexus configuration)
	1	8	Variable	Number of sequential instructions executed since last taken branch
	1	32	Variable	Full target address (leading zeros truncated)
Data trace–Data write message with synchronization	6	6	Fixed	TCODE number = 13 (0x0D)
	4	4	Fixed	Source processor identifier (multiple Nexus configuration)
	3	3	Fixed	Data size. Refer to Table 10-6 .
	1	32	Variable	Full access address (leading zeros truncated)
	1	64	Variable	Data write value(s). See data trace section for details.
Data trace–Data read message with synchronization	6	6	Fixed	TCODE number = 14 (0x0E)
	4	4	Fixed	Source processor identifier (multiple Nexus configuration)
	3	3	Fixed	Data size. Refer to Table 10-6 .
	1	32	Variable	Full access address (leading zeros truncated)
	1	64	Variable	Data read value(s). See data trace section for details.
Watchpoint message	6	6	Fixed	TCODE number = 15 (0x0F)
	4	4	Fixed	Source processor identifier (multiple Nexus configuration)
	8	8	Fixed	Number indicating watchpoint source(s)

Table 10-2. Public TCODEs Supported (continued)

Message Name	Minimum Packet Size (Bits)	Maximum Packet Size (Bits)	Packet Type	Packet Description
Resource full message	6	6	Fixed	TCODE number = 27 (0x1B)
	4	4	Fixed	Source processor identifier (multiple Nexus configuration)
	4	4	Fixed	Resource code. Refer to Table 10-4 . Indicates which resource is the cause of this message.
	1	32	Variable	Branch/predicate instruction history (see Section 10.7.1 , “ Branch Trace Messaging (BTM) ”)
Program trace–Indirect branch history message	6	6	Fixed	TCODE number = 28 (0x1C). See note below.
	4	4	Fixed	Source processor identifier (multiple Nexus configuration)
	1	8	Variable	Number of sequential instructions executed since last taken branch
	1	32	Variable	Unique part of target address for taken branches/exceptions
	1	32	Variable	Branch/predicate instruction history (see Section 10.7.1 , “ Branch Trace Messaging (BTM) ”).
Program trace–Indirect branch history message with synchronization	6	6	Fixed	TCODE number = 29 (0x1D). See note below.
	4	4	Fixed	Source processor identifier (multiple Nexus configuration)
	1	8	Variable	Number of sequential instructions executed since last taken branch
	1	32	Variable	Full target address (leading zero (0) truncated)
	1	32	Variable	Branch/predicate instruction history (see Section 10.7.1 , “ Branch Trace Messaging (BTM) ”).
Program trace–Program correlation message	6	6	Fixed	TCODE number = 33 (0x21)
	4	4	Fixed	Source processor identifier (multiple Nexus configuration)
	4	4	Fixed	Event correlated with program flow. Refer to Table 10-5 .
	1	8	Variable	Number of sequential instructions executed since last taken branch
	1	32	Variable	Branch/predicate instruction history (see Section 10.7.1 , “ Branch Trace Messaging (BTM) ”).

[Table 10-3](#) shows the error code encodings used when reporting an error through the Nexus3/Nexus2+ error message.

Table 10-3. Error Code Encodings (TCODE = 8)

Error Code (ECODE)	Description
00000	Ownership trace overrun
00001	Program trace overrun

Table 10-3. Error Code Encodings (TCODE = 8) (continued)

Error Code (ECODE)	Description
00010	Data trace overrun (not in Nexus 2+)
00011	Read/write access error
00101	Invalid access opcode (Nexus register unimplemented)
00110	Watchpoint overrun
00111	Program trace or data trace and ownership trace overrun
01000	Program trace or data trace or ownership trace and watchpoint overrun
01001–10111	Reserved
11000	BTM lost due to collision with higher priority message
11001–11111	Reserved

Table 10-4 shows the encodings used for resource codes for certain messages.

Table 10-4. Resource Code Encodings (TCODE = 27)

Resource Code (RCODE)	Description
0000	Program trace instruction counter reached 255 and was reset.
0001	Program trace, branch/predicate instruction history. This type of packet is terminated by a stop bit set after the last history bit.

Table 10-5 shows the event code encodings used for certain messages.

Table 10-5. Event Code Encodings (TCODE = 33)

Event Code (EVCODE)	Description
0000	Entry into debug mode
0001	Entry into low power mode (CPU only)
0010–1111	Reserved
1110	Entry into a VLE page from a non-VLE page
1111	Entry into a non-VLE page from a VLE page

Table 10-6 shows the data trace size encodings used for certain messages.

Table 10-6. Data Trace Size Encodings (TCODE = 5, 6, 13, or 14)

DTM Size Encoding	Transfer Size
000	Byte
001	Half-word (2 bytes)

Table 10-6. Data Trace Size Encodings (TCODE = 5, 6, 13, or 14) (continued)

DTM Size Encoding	Transfer Size
010	Word (4 bytes)
011	Double-word (8 bytes)
100	String (3 bytes)
101–111	Reserved

NOTE

Program trace can be implemented using either branch history/predicate instruction messages, or traditional direct/indirect branch messages, and the user can select between the two types of program trace. The advantages of each are discussed in [Section 10.7.1, “Branch Trace Messaging \(BTM\).”](#) If the branch history method is selected, the shaded TCODES above will not be messaged out.

10.4 Nexus3/Nexus2+ Programmer’s Model

This section describes the Nexus3/Nexus2+ programmers model. Nexus3/Nexus2+ registers are accessed using the JTAG/OnCE port in compliance with IEEE 1149.1. See [Section 10.5, “Nexus3/Nexus2+ Register Access Through JTAG/OnCE,”](#) for details on Nexus3/Nexus2+ register access.

NOTE

Nexus3/Nexus2+ registers and output signals are numbered using bit 0 as the least significant bit. This bit ordering is consistent with the ordering defined by the *IEEE-ISTO 5001 standard*.

[Table 10-7](#) shows the register map for the Nexus3/Nexus2+ module.

Table 10-7. Nexus3/Nexus2+ Register Map

Nexus Register	Nexus Access Opcode	Read/Write	Read Address	Write Address
Client select control (CSC) ¹	0x1	R	0x02	—
Port configuration register (PCR) ¹	PCR_INDEX ²	R/W	—	—
Development control1 (DC1)	0x2	R/W	0x04	0x05
Development control2 (DC2)	0x3	R/W	0x06	0x07
Development status (DS)	0x4	R	0x08	—
Read/write access control/status (RWCS)	0x7	R/W	0x0E	0x0F
Read/write access address (RWA)	0x9	R/W	0x12	0x13
Read/write access data (RWD)	0xA	R/W	0x14	0x15
Watchpoint trigger (WT)	0xB	R/W	0x16	0x17

Table 10-7. Nexus3/Nexus2+ Register Map (continued)

Nexus Register	Nexus Access Opcode	Read/Write	Read Address	Write Address
Data trace control (DTC)	0xD	R/W	0x1A	0x1B
Data trace start address1 (DTSA1)	0xE	R/W	0x1C	0x1D
Data trace start address2 (DTSA2)	0xF	R/W	0x1E	0x1F
Data trace end address1 (DTEA1)	0x12	R/W	0x24	0x25
Data trace end address2 (DTEA2)	0x13	R/W	0x26	0x27
Reserved	0x14–0x3F	—	0x28–0x7E	0x29–0x7F

- ¹ The CSC and PCR registers are shown in this table as part of the Nexus programmer's model. They are only present at the top level SoC Nexus3/Nexus2+ controller in a multiple Nexus implementation, not in the e200z3 Nexus3/Nexus2+ module. The SoC's CSC register is readable through Nexus3/Nexus2+, but the PCR is shown here for reference only.
- ² PCR_INDEX is a parameter determined by the SoC. Refer to the reference manual for the device integrating the e200z3 core for more information on how this parameter is implemented for each Nexus module.

10.4.1 Client Select Control Register (CSC)

The CSC register determines which Nexus client is under development. This register is present at the top-level SOC Nexus3/Nexus2+ controller to select an on-chip Nexus3/Nexus2+ units [Figure 10-3](#) shows the CSC register.

	7	4	3	0
Field	—		CS	
Reset	All zeros			
R/W	Read only			
Number	0x1			

Figure 10-3. Client Select Control Register
Table 10-8. CSC Field Descriptions

Bits	Name	Description
7–4	—	Reserved, should be cleared.
3–0	CSC	Client select control 0xX = Nexus client (SoC level)

10.4.2 Port Configuration Register (PCR)

The port configuration register (PCR) shown in [Figure 10-4](#) controls the basic port functions for all Nexus modules in a multiple Nexus environment. This includes clock control and auxiliary port width. All bits in this register are writable only once after system reset.

	31	30	29	28	26	25	0
Field	OPC	—	MCK_EN	MCK_DIV	—		
Reset	All zeros						
R/W	Read/Write						
Number	PCR_INDEX						

Figure 10-4. Port Configuration Register

Table 10-9. PCR Field Descriptions

Bits	Name	Description
31	OPC	Output port mode control 0 Reduced port mode configuration (minimum number of <i>nex_mdo[n:0]</i> pins defined by SOC) 1 Full port mode configuration (maximum number of <i>nex_mdo[n:0]</i> pins defined by SOC)
30	—	Reserved
29	MCK_EN	MCKO clock enable. See note below. 0 <i>nex_mcko</i> is disabled 1 <i>nex_mcko</i> is enabled
28–26	MCK_DIV	MCKO clock divide ratio 000 <i>nex_mcko</i> is 1x processor clock freq. 001 <i>nex_mcko</i> is 1/2x processor clock freq. 010 Reserved (default to 1/2x processor clock freq.) 011 <i>nex_mcko</i> is 1/4x processor clock freq. 100–110 Reserved (default to 1/2x processor clock freq.) 111 <i>nex_mcko</i> is 1/8x processor clock freq.
25–0	—	Reserved

NOTE

The CSC and PCR registers exist in a separate module at the SoC level in a multiple Nexus environment. If the e200z3 Nexus3/Nexus2+ module is the only Nexus module, these registers are not implemented and the e200z3 Nexus3/Nexus2+-defined development control register 1 (DC1) is used to control Nexus port functionality.

10.4.3 Development Control Register 1, 2 (DC1, DC2)

The development control registers are used to control the basic development features of the Nexus3/Nexus2+ module. Development control register 1 is shown in [Figure 10-5](#) and its fields are described in [Table 10-10](#).

	31	30	29	28	27	26	25	24	23				8	7	5	4	3	2	0
Field	OPC	MCK_DIV	EOC	—	PTM	WEN	—					OVC	EIC	TM					
Reset	All zeros																		
R/W	Read/Write																		
Number	0x2																		

Figure 10-5. Development Control Register 1 (DC1)

Table 10-10. DC1 Field Descriptions

Bits	Name	Description
31	OPC	Output port mode control 0 Reduced port mode configuration (minimum number of <i>nex_mdo[n:0]</i> pins defined by SOC) 1 Full port mode configuration (maximum number of <i>nex_mdo[n:0]</i> pins defined by SOC)
30–29	MCK_DIV	MCKO clock divide ratio. See note below. 00 <i>nex_mcko</i> is 1x processor clock freq. 01 <i>nex_mcko</i> is 1/2x processor clock freq. 10 <i>nex_mcko</i> is 1/4x processor clock freq. 11 <i>nex_mcko</i> is 1/8x processor clock freq.
28–27	EOC	EVTO control 00 <i>nex_evto_b</i> upon occurrence of watchpoints (configured in DC2) 01 <i>nex_evto_b</i> upon entry into debug mode 10 <i>nex_evto_b</i> upon timestamping event 11 Reserved
26	—	Reserved
25	PTM	Program trace method 0 Program trace uses traditional branch messages. 1 Program trace uses branch history messages.
24	WEN	Watchpoint trace enable 0 Watchpoint messaging disabled 1 Watchpoint messaging enabled
23–8	—	Reserved
7–5	OVC	Overrun control 000 Generate overrun messages 001–010 Reserved 011 Delay processor for BTM/DTM/OTM overruns 1XX Reserved

Table 10-10. DC1 Field Descriptions (continued)

Bits	Name	Description
4–3	EIC	EVTI control 00 <i>nex_evti_b</i> is used for synchronization (program trace/data trace) 01 <i>nex_evti_b</i> is used for debug request 1X Reserved
2–0	TM	Trace mode 000 No trace 1XX Program trace enabled X1X Data trace enabled (not supported in Nexus2+, reserved in e200z335) XX1 Ownership trace enabled

NOTE

OPC and MCK_DIV must be modified only during system reset or debug mode to ensure correct output port and output clock functionality. It is also recommended that all other bits of DC1 be modified only in one of these two modes.

Development control register 2 is shown in [Figure 10-6](#) and its fields are described in [Table 10-11](#).

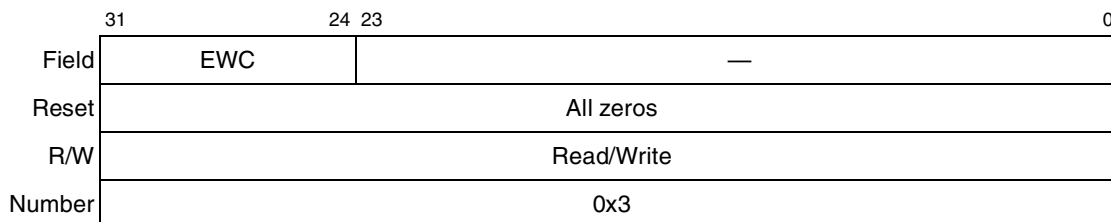


Figure 10-6. Development Control Register 2 (DC2)

Table 10-11. DC2 Field Descriptions

Bits	Name	Description
31–24	EWC	EVTO Watchpoint Configuration 00000000 No watchpoints trigger <i>nex_evto_b</i> 1xxxxxxx Watchpoint #0 (IAC1 from Nexus1) triggers <i>nex_evto_b</i> x1xxxxxx Watchpoint #1 (IAC2 from Nexus1) triggers <i>nex_evto_b</i> xx1xxxxx Watchpoint #2 (IAC3 from Nexus1) triggers <i>nex_evto_b</i> xxx1xxxx Watchpoint #3 (IAC4 from Nexus1) triggers <i>nex_evto_b</i> xxxx1xxx Watchpoint #4 (DAC1 from Nexus1) triggers <i>nex_evto_b</i> xxxxx1xx Watchpoint #5 (DAC2 from Nexus1) triggers <i>nex_evto_b</i> xxxxxx1x Watchpoint #6 (DCNT1 from Nexus1) triggers <i>nex_evto_b</i> xxxxxxx1 Watchpoint #7 (DCNT2 from Nexus1) triggers <i>nex_evto_b</i>
23–0	—	Reserved

NOTE

The EOC bits in DC1 must be programmed to trigger $\overline{\text{EVTO}}$ on watchpoint occurrence for the EWC bits to have any effect.

10.4.4 Development Status Register (DS)

The development status register shown in [Figure 10-7](#) is used to report system debug status. When debug mode is entered or exited, or an SOC- or e200z3-defined low-power mode is entered, a debug status message is transmitted with DS[31–25]. The external tool can read this register at any time.

	31	30	28	27	26	25	24	0
Field	DBG	LPC	LPC	CHK	—			
Reset	All zeros							
R/W	Read-only							
Number	0x4							

Figure 10-7. Development Status Register (DS)

Table 10-12. DS Field Descriptions

Bits	Name	Description
31	DBG	e200z3 CPU debug mode status 0 CPU not in debug mode 1 CPU in debug mode (<i>jd_debug_b</i> signal asserted)
30–28	LPS	e200z3 system low power mode status 000 Normal (run) mode XX1 Doze mode (<i>p_doze</i> signal asserted) X1X Nap mode (<i>p_nap</i> signal asserted) 1XX Sleep mode (<i>p_sleep</i> signal asserted)
27–26	LPC	e200z3 CPU low power mode status 00 Normal (run) mode 01 CPU in halted state (<i>p_halted</i> signal asserted) 10 CPU in stopped state (<i>p_stopped</i> signal asserted) 11 CPU in Waiting state (p_waiting signal asserted)
25	CHK	e200z3 CPU checkstop status 0 CPU not in checkstop state 1 CPU in checkstop state (<i>p_chkstop</i> signal asserted)
24–0	—	Reserved, should be cleared.

10.4.5 Read/Write Access Control/Status Register (RWCS)

The read write access control/status register, shown in [Figure 10-8](#), provides control for read/write access. Read/write access provides DMA-like access to memory-mapped resources on the AHB system bus either while the processor is halted, or during runtime. RWCS also provides read/write access status information; see [Table 10-14](#).

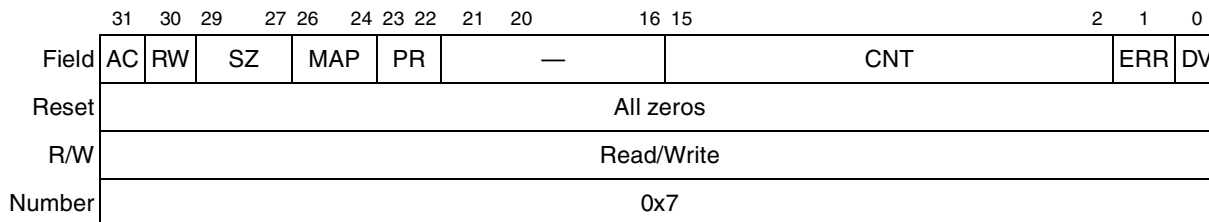


Figure 10-8. Read/Write Access Control/Status Register (RWCS)

Table 10-13. RWCS Field Descriptions

Bits	Name	Description
31	AC	Access control 0 End access 1 Start access
30	RW	Read/write select 0 Read access 1 Write access
29–27	SZ	Word size 000 8-bit (byte) 001 16-bit (half-word) 010 32-bit (word) 011 64-bit (double word—only in burst mode) 100–111 Reserved (default to word)
26–24	MAP	MAP select 000 Primary memory map 001–111 Reserved
23–22	PR	Read/write access priority 00 Lowest access priority 01 Reserved (default to lowest priority) 10 Reserved (default to lowest priority) 11 Highest access priority
21–16	—	Reserved
15–2	CNT	Access control count. Number of accesses of word size SZ
1	ERR	Read/write access error. See Table 10-14 .
0	DV	Read/write access data valid. See Table 10-14 .

[Table 10-14](#) details the status bit encodings.

Table 10-14. Read/Write Access Status Bit Encodings

Read Action	Write Action	ERR	DV
Read access has not completed.	Write access completed without error	0	0
Read access error has occurred.	Write access error has occurred	1	0
Read access completed without error	Write access has not completed	0	1
Not allowed	Not allowed	1	1

10.4.6 Read/Write Access Data Register (RWD)

The read/write access data register, shown in Figure 10-9, provides the data to/from system bus memory-mapped locations when initiating a read or a write access.

	31	0
Field	Read/Write Data	
Reset	All zeros	
R/W	Read/Write	
Number	0x9	

Figure 10-9. Read/Write Access Data Register (RWD)

Read/write accesses to the AHB require that the debug firmware properly retrieve/place the data in the RWD. Table 10-15 shows the proper placement of data into the RWD. Note that double-word transfers require two passes through RWD.

Table 10-15. RWD data placement for Transfers

Transfer Size and Byte Offset	RWA(2-0)	RWCS[SZ]	RWD			
			31-24	23-16	15-8	7-0
Byte	x x x	0 0 0	—	—	—	X
Half	x x 0	0 0 1	—	—	X	X
Word	x 0 0	0 1 0	X	X	X	X
Doubleword	0 0 0	0 1 1				
First RWD pass (low order data)			X	X	X	X
Second RWD pass (high order data)			X	X	X	X

Note:

"X" indicates byte lanes with valid data

"—" indicates byte lanes which will contain unused data.

Table 10-16 shows the mapping of RWD bytes to byte lanes of the AHB read and write data buses.

Table 10-16. RWD byte lane data placement

Transfer Size and byte offset	RWA(2:0)	RWD			
		31–24	23–16	15–8	7–0
Byte @000	0 0 0	—	—	—	AHB[7–0]
Byte @001	0 0 1	—	—	—	AHB[15–8]
Byte @010	0 1 0	—	—	—	AHB[23–16]
Byte @011	0 1 1	—	—	—	AHB[31–24]
Byte @100	1 0 0	—	—	—	AHB[39–32]
Byte @101	1 0 1	—	—	—	AHB[47–40]
Byte @110	1 1 0	—	—	—	AHB[55–48]
Byte @111	1 1 1	—	—	—	AHB[63–56]
Half @000	0 0 0	—	—	AHB[15–8]	AHB[7–0]
Half @010	0 1 0	—	—	AHB[31–24]	AHB[23–16]
Half @100	1 0 0	—	—	AHB[47–40]	AHB[39–32]
Half @110	1 1 0	—	—	AHB[63–56]	AHB[55–48]
Word @000	0 0 0	AHB[31–24]	AHB[23–16]	AHB[15–8]	AHB[7–0]
Word @100	1 0 0	AHB[63–56]	AHB[55–48]	AHB[47–40]	AHB[39–32]
Doubleword @000	0 0 0	—	—	—	—
First RWD pass		AHB[31–24]	AHB[23–16]	AHB[15–8]	AHB[7–0]
Second RWD pass		AHB[63–56]	AHB[55–48]	AHB[47–40]	AHB[39–32]

Note:

“—” indicates byte lanes which will contain unused data.

10.4.7 Read/Write Access Address Register (RWA)

The read/write access address register, shown in [Figure 10-10](#), provides the system bus address to be accessed when initiating a read or a write access.

	31	0
Field	Read/Write Data	
Reset	All zeros	
R/W	Read/Write	
Number	0xA	

Figure 10-10. Read/Write Access Address Register (RWA)

10.4.8 Watchpoint Trigger Register (WT)

The watchpoint trigger register, shown in [Figure 10-11](#), allows the watchpoints defined within the e200z3 Nexus1 logic to trigger actions. These watchpoints can control program and/or data trace enable and disable. The WT bits can be used to produce an address related window for triggering trace messages.

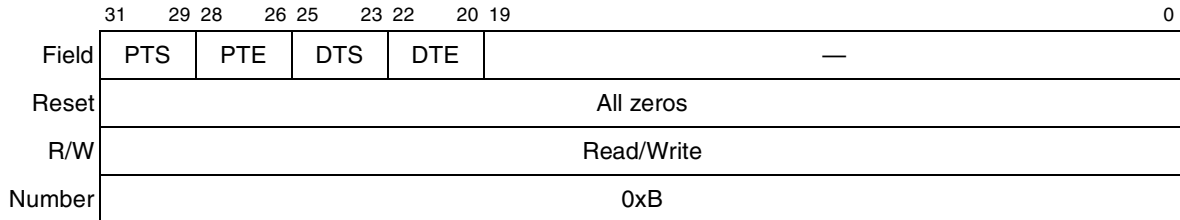


Figure 10-11. Watchpoint Trigger Register (WT)

[Table 10-17](#) details the watchpoint trigger register fields.

Table 10-17. WT Field Descriptions

Bits	Name	Description
31–29	PTS	Program trace start control 000 Trigger disabled 001 Use watchpoint #0 (IAC1 from Nexus1) 010 Use watchpoint #1 (IAC2 from Nexus1) 011 Use watchpoint #2 (IAC3 from Nexus1) 100 Use watchpoint #3 (IAC4 from Nexus1) 101 Use watchpoint #4 (DAC1 from Nexus1) 110 Use watchpoint #5 (DAC2 from Nexus1) 111 Use watchpoint #6 or #7 (DCNT1 or DCNT2 from Nexus1)
28–26	PTE	Program trace end control 000 Trigger disabled 001 Use watchpoint #0 (IAC1 from Nexus1) 010 Use watchpoint #1 (IAC2 from Nexus1) 011 Use watchpoint #2 (IAC3 from Nexus1) 100 Use watchpoint #3 (IAC4 from Nexus1) 101 Use watchpoint #4 (DAC1 from Nexus1) 110 Use watchpoint #5 (DAC2 from Nexus1) 111 Use watchpoint #6 or #7 (DCNT1 or DCNT2 from Nexus1)
25–23	DTS	Data trace start control (not in e200z335) 000 Trigger disabled 001 Use watchpoint #0 (IAC1 from Nexus1) 010 Use watchpoint #1 (IAC2 from Nexus1) 011 Use watchpoint #2 (IAC3 from Nexus1) 100 Use watchpoint #3 (IAC4 from Nexus1) 101 Use watchpoint #4 (DAC1 from Nexus1) 110 Use watchpoint #5 (DAC2 from Nexus1) 111 Use watchpoint #6 or #7 (DCNT1 or DCNT2 from Nexus1)

Table 10-17. WT Field Descriptions (continued)

Bits	Name	Description
22–20	DTE	Data trace end control (not in e200z335) 000 Trigger disabled 001 Use watchpoint #0 (IAC1 from Nexus1) 010 Use watchpoint #1 (IAC2 from Nexus1) 011 Use watchpoint #2 (IAC3 from Nexus1) 100 Use watchpoint #3 (IAC4 from Nexus1) 101 Use watchpoint #4 (DAC1 from Nexus1) 110 Use watchpoint #5 (DAC2 from Nexus1) 111 Use watchpoint #6 or #7 (DCNT1 or DCNT2 from Nexus1)
19–0	—	Reserved, should be cleared

NOTE

The WT bits only control program/data trace if the TM bits within DC1 have not already been set to enable program and data trace respectively.

10.4.9 Data Trace Control Register (DTC)

The data trace control register controls whether DTM messages are restricted to reads, writes, or both for a user programmable address range. There are two data trace channels controlled by the DTC for the Nexus3/Nexus2+ module. Each channel can also be programmed to trace data accesses or instruction accesses. [Figure 10-12](#) shows DTC.

	31	30	29	28	27		8	7	6	5	4	3	2	1	0
Field	RWT1	RWT2	—				RC1	RC2	—	DI1	—				
Reset	All zeros														
R/W	Read/Write														
Number	0xD														

Figure 10-12. Data Trace Control Register (DTC)

[Table 10-18](#) details the data trace control register fields.

Table 10-18. DTC Field Descriptions

Bits	Name	Description
31–30	RWT1	Read/write trace 1 00 No trace enabled X1 Enable data read trace 1X Enable data write trace
29–28	RWT2	Read/write trace 2 00 No trace enabled X1 Enable data read trace 1X Enable data write trace
27–8	—	Reserved, should be cleared.

Table 10-18. DTC Field Descriptions (continued)

Bits	Name	Description
7	RC1	Range control 1 0 Condition trace on address within range 1 Condition trace on address outside of range
6	RC2	Range control 2 0 Condition trace on address within range 1 Condition trace on address outside of range
5-4	—	Reserved, should be cleared.
3	DI1	Data access/instruction access trace 1 0 Condition trace on data accesses 1 Condition trace on instruction accesses
2-0	—	Reserved, should be cleared.

10.4.10 Data Trace Start Address 1 and 2 Registers (DTSA1 and DTSA2)

The data trace start address registers, shown in [Figure 10-13](#), define the start addresses for each trace channel.

	31	0
Field	Data Trace Start Address	
Reset	All zeros	
R/W	Read/Write	
Number	DTSA1: 0xE; DTSA2: 0xF	

Figure 10-13. Data Trace Start Address Registers 1 and 2 (DTSA n)

10.4.11 Data Trace End Address Registers 1 and 2 (DTEA1 and DTEA2)

The data trace end address registers, shown in [Figure 10-14](#), define the end addresses for each trace channel.

	31	0
Field	Data Trace End Address	
Reset	All zeros	
R/W	Read/Write	
Number	DTEA1: 0x12; DTEA2: 0x13	

Figure 10-14. Data Trace End Address Registers 1 and 2 (DTEA n)

[Table 10-19](#) shows the range that is selected for data trace for various cases of DTSA being less than, greater than, or equal to DTEA.

2. The second pass through the DR then shifts the data in or out of the JTAG port, least significant bit first.
 - a) During a read access, data is latched from the selected Nexus register when the JTAG state machine passes through the capture-DR state.
 - b) During a write access, data is latched into the selected Nexus register when the JTAG state machine passes through the update-DR state.

10.6 Ownership Trace

This section details the ownership trace features of the Nexus3/Nexus2+ module.

10.6.1 Overview

Ownership trace provides a macroscopic view, such as task flow reconstruction, when debugging software is written in a high-level or object-oriented language. It offers the highest level of abstraction for tracking operating system software execution. This is especially useful when the developer is not interested in debugging at lower levels.

10.6.2 Ownership Trace Messaging (OTM)

Ownership trace information is messaged by means of the auxiliary port using OTM. For e200z3 processors, there are two distinct methods for providing task/process ID data. Some e200 processors contain a Book E–defined process ID register within the CPU while others may not. Within Nexus, task/process ID data is handled in one of the following two ways in order to maintain IEEE-ISTO 5001 compliance.

1. If the process ID register exists, it is updated by the operating system software to provide task/process ID information. The contents of this register are replicated on the pins of the processor and connected to Nexus. The process ID register value can be accessed using the **mf spr/mt spr** instructions. See [Section 2.16.5, “Process ID Register \(PID0\).”](#)
2. If the process ID register does not exist, the user base address register (UBA) is implemented within Nexus. The UBA can be accessed by means of the JTAG/OnCE port and contains the address of the ownership trace register (OTR). The memory-mapped OTR is updated by the operating system software to provide task/process ID information.

NOTE

The e200z3 includes a process ID register (PID0), thus the UBA functionality is not implemented.

There are two conditions that cause an ownership trace message:

1. When new information is updated in the OTR register or process ID register by the e200z3 processor, the data is latched within Nexus and is messaged out through the auxiliary port, allowing development tools to trace ownership flow.
2. When the periodic OTM message counter expires after 255 queued messages without an OTM, an OTM is sent. The data is sent from either the latched OTR data or the latched process ID data. This allows processors using virtual memory to be regularly updated with the latest process ID.

Ownership trace information is messaged out in the format shown in [Figure 10-16](#).

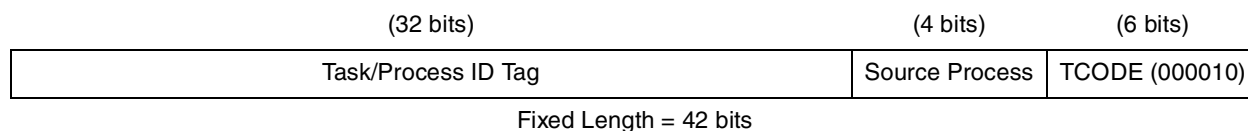


Figure 10-16. Ownership Trace Message Format

10.6.3 OTM Error Messages

An error message occurs when the message queue is full and a new message cannot be queued. The FIFO discards incoming messages until it has completely emptied the queue. Once the queue is emptied, an error message is queued. The error encoding indicates which types of messages attempted to be queued while the FIFO was being emptied.

If only an OTM message attempts to enter the queue while the queue is being emptied, the error message only incorporates the OTM error encoding 00000. If both OTM and either BTM or DTM (that is, OTM and BTM or OTM and DTM) messages attempt to enter the queue, the error message incorporates the OTM and program or data trace error encoding 00111. If a watchpoint also attempts to be queued while the FIFO is being emptied, then the error message incorporates error encoding 01000.

NOTE

DC1[OVC] can be set to delay the CPU in order to alleviate, but not eliminate, potential overrun situations.

Error information is messaged out in the format shown in [Figure 10-17](#).

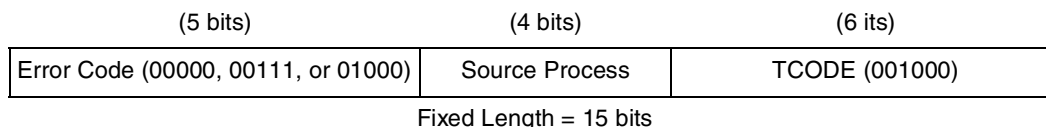


Figure 10-17. Error Message Format

10.6.4 OTM Flow

Ownership trace messages are generated when the operating system writes to the e200z3 process ID register (PID0) or the memory-mapped ownership trace register (OTR).

The following flow describes the OTM process:

- The process ID register is a system control register. It is internal to the core processor and can be accessed by using PPC instructions. The contents of this register are replicated on the pins of the processor and connected to Nexus.
- Writes to the e200z3 internal process ID register will pulse a write signal to Nexus. The data value written into the process ID register is latched and formed into the ownership trace message that is queued to be transmitted.
- Process ID register reads do not cause ownership trace messages to be transmitted by the Nexus 3 module.

10.7 Program Trace

This section details the program trace mechanism supported by Nexus3/Nexus2+ for the e200z3 processor. Program trace is implemented using branch trace messaging (BTM) as required by the class 3 *IEEE-ISTO 5001-2003* standard definition. Branch trace messaging for e200z3 processors is accomplished by snooping the e200z3 virtual address bus, between the CPU and MMU, attribute signals, and CPU status *p_pstat[0:5]*.

10.7.1 Branch Trace Messaging (BTM)

Traditional branch trace messaging facilitates program trace by providing the following types of information:

- Messaging for taken direct branches includes how many sequential instructions were executed since the last taken branch or exception. Direct or indirect branches not taken are counted as sequential instructions.
- Messaging for taken indirect branches and exceptions includes how many sequential instructions were executed since the last taken branch or exception and the unique portion of the branch target address or exception vector address.

Branch history messaging facilitates program trace by providing the following information:

- Messaging for taken indirect branches and exceptions includes how many sequential instructions were executed since the last predicate instruction, taken indirect branch, or exception, the unique portion of the branch target address or exception vector address, and a branch/predicate instruction history field. Each bit in the history field represents a direct branch or predicated instruction where a value of one indicates taken and a value of zero indicates not taken. Certain instructions (**evsel**) generate a pair of predicate bits that are both reported as consecutive bits in the history field.

10.7.1.1 e200z3 Indirect Branch Message Instructions (Book E)

Table 10-21 shows the types of instructions and events that cause indirect branch messages or branch history messages to be encoded.

Table 10-21. Indirect Branch Message Sources

Source of Indirect Branch Message	Instructions
Taken branch relative to a register value	bcctr, bcctrl, bclr, bclrl, se_bctr, se_bctrl, se_blr, se_blrl
System call/trap exceptions taken	sc, se_sc, tw, twi
Return from interrupts/exceptions	rfi, rfci, rfdi, se_rfi, se_rfci, se_rfdi

10.7.1.2 e200z3 Direct Branch Message Instructions (Book E)

Table 10-22 shows the types of instructions that cause direct branch messages or that toggle a bit in the instruction history buffer to be messaged out in a resource full message or branch history message.

Table 10-22. Direct Branch Message Sources

Source of Direct Branch Message	Instructions
Taken direct branch instructions	b, ba, bl, bla, bc, bca, bcl, bcla, se_b, se_bc, se_bl, e_b, e_bc, e_bl, e_bcl, isync, se_isync
Instruction synchronize	isync, se_isync

10.7.1.3 BTM Using Branch History Messages

Traditional BTM can accurately track the number of sequential instructions between branches, but cannot accurately indicate which instructions were conditionally executed and which were not.

Branch history messaging solves this problem by providing a predicated instruction history field in each indirect branch message. Each bit in the history represents a predicated instruction or direct branch, or a not-taken indirect branch. A value of one indicates the conditional instruction was executed or the direct branch was taken. A value of zero indicates the conditional instruction was not executed or the direct branch was not taken. Certain instructions (**evsel**) generate a pair of predicate bits that are both reported as consecutive bits in the history field.

Branch history messaging facilitates program trace by providing the information described in [Section 10.7.1.1, “e200z3 Indirect Branch Message Instructions \(Book E\)”](#):

Branch history messages solve predicated instruction tracking and save bandwidth because only indirect branches cause messages to be queued.

10.7.1.4 BTM Using Traditional Program Trace Messages

Program tracing can utilize either branch history messages ($DC1[PTM] = 1$) or traditional direct/indirect branch messages ($DC1[PTM] = 0$).

Branch history saves bandwidth and keeps consistency between methods of program trace, yet may lose temporal order between BTM messages and other types of messages. Since direct branches are not messaged, but are instead included in the history field of the indirect branch history message, other types of messages may enter the FIFO between branch history messages. The development tool cannot determine the ordering of events that occurred with respect to direct branches simply by the order in which messages are sent out.

Traditional BTM messages maintain their temporal ordering because each event that can cause a message to be queued enters the FIFO in the order it occurred and is messaged out maintaining that order.

10.7.2 BTM Message Formats

The e200z3 Nexus3/Nexus2+ block supports three types of traditional BTM messages: direct, indirect, and synchronized messages. It supports two types of branch history BTM messages: indirect branch history, and indirect branch history with synchronized messages. Debug status messages and error messages are also supported.

10.7.2.1 Indirect Branch Messages (History)

Indirect branches include all taken branches whose destination is determined at run time, interrupts, and exceptions. If DC1[PTM] is set, indirect branch information is messaged out in the format shown in Figure 10-18:

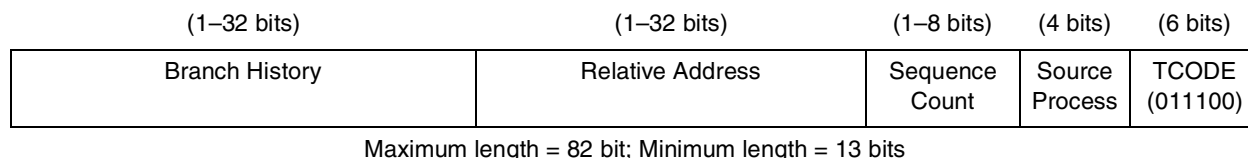


Figure 10-18. Indirect Branch Message (History) Format

10.7.2.2 Indirect Branch Messages (Traditional)

If DC1[PTM] is cleared, indirect branch information is messaged out in the format shown in Figure 10-19:

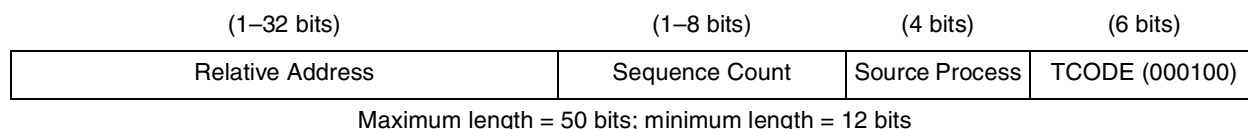


Figure 10-19. Indirect Branch Message Format

10.7.2.3 Direct Branch Messages (Traditional)

Direct branches, conditional or unconditional, are all taken branches whose destinations are fixed in the instruction opcode. Direct branch information is messaged out in the format shown in Figure 10-20:

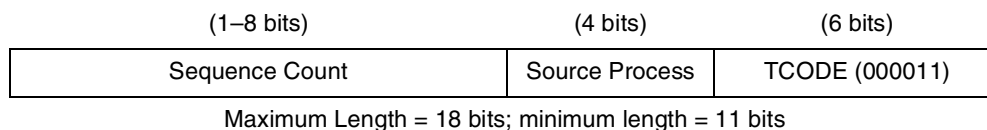


Figure 10-20. Direct Branch Message Format

NOTE

When DC1[PTM] is set, direct branch messages are not transmitted. Instead, each direct branch or predicated instruction toggles a bit in the history buffer.

10.7.2.4 Resource Full Messages

The resource full message is used in conjunction with the branch history messages. The resource full message is generated when the internal branch/predicate history buffer is full. If synchronization is needed at the time this message is generated, the synchronization is delayed until the next branch trace message that is not a resource full message.

For history buffer overflow, the resource full message transmits a resource code (RCODE) of 0b0001 and the current contents of the history buffer, including the stop bit, are transmitted in the resource data (RDATA) field. This history information can be concatenated by the development tool with the

branch/predicate history information from subsequent messages to obtain the complete branch/predicate history between indirect changes of flow.

For instruction counter overflow, the resource full message transmits an RCODE of 0b0000 and a value of 0xFF is transmitted in the RDATA field, indicating that 255 sequential instructions have been executed since the last change of flow or, if program trace is in history mode, since the last instruction that recorded history information

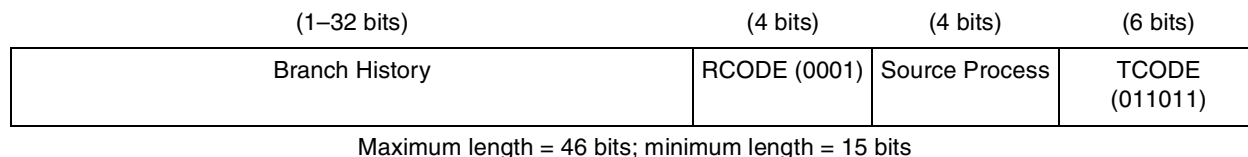


Figure 10-21. Resource Full Message Format

Table 10-23 shows the RCODE encodings and RDATA information used for Resource Full messages.

Table 10-23. RCODE Encoding

RCODE	RDATA field	Description
0000	0xFF	Program trace instruction counter reached 255 and was reset.
0001	Branch history. This type of packet is terminated by a stop bit set after the last history bit.	Program trace, branch/predicate instruction history full.

10.7.2.5 Debug Status Messages

Debug status messages report low-power mode and debug status. Debug status messages are enabled when Nexus 3 is enabled. Entering/exiting debug mode as well as entering a low-power mode triggers a debug status message, indicating the value of the most significant byte in the development status register. Debug status information is sent out in the format shown in [Figure 10-22](#):

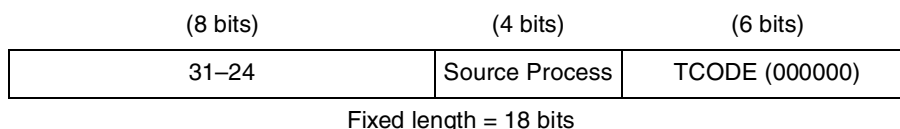


Figure 10-22. Debug Status Message Format

10.7.2.6 Program Correlation Messages

Program correlation messages (PCMs) are used to correlate events to the program flow that may not be associated with the instruction stream. The following events will result in a PCM when program trace is enabled:

- When the CPU enters debug mode, a PCM is generated. The instruction count and history information provided by the PCM can be used to determine the last sequence of instructions executed prior to debug mode entry.

- When the CPU enters a low power mode in which instructions are no longer executed, a PCM is generated. The instruction count and history information provided by the PCM can be used to determine the last sequence of instructions executed prior to low-power mode entry.
- Whenever program trace is disabled by any means, a PCM is generated. The instruction count and history information provided by the PCM can be used to determine the last sequence of instructions executed prior to disabling program trace. A second PCM is generated on this event if there has been an execution mode switch into or out of a sequence of VLE instructions. This VLE state information allows the development tool to interpret any preceding instruction count or history information in the proper context.
- Whenever the CPU crosses a page boundary that results in an execution mode switch into or out of a sequence of VLE instructions, a PCM is generated. The PCM effectively breaks up any running instruction count and history information between the two modes of operation so that the instruction count and history information can be processed by the development tool in the proper context.
- When using program trace in history mode, when a direct branch results in an execution mode switch into or out of a sequence of VLE instructions, a PCM is generated. The PCM effectively breaks up any running history information between the two modes of operation so that the history information can be processed by the development tool in the proper context.

Program correlation is messaged out in the format shown in [Figure 10-23](#):

(1–32 bits)	(1–8 bits)	(4 bits)	(4 bits)	(6 bits)
Branch History	Sequence Count	ECODE	Source Process	TCODE (100001)

Maximum length = 54 bits; minimum length = 16 bits

Figure 10-23. Program Correlation Message Format

10.7.2.7 BTM Overflow Error Messages

An error message occurs when the message queue is full and a new message cannot be queued. The FIFO discards incoming messages until it has completely emptied the queue. Once emptied, an error message is queued. The error encoding indicates which types of messages attempted to be queued while the FIFO was being emptied.

If only a program trace message attempts to enter the queue while it is being emptied, the error message incorporates the program trace only error encoding, 00001. If both OTM and program trace messages attempt to enter the queue, the error message incorporates the OTM and program trace error encoding 00111. If a watchpoint also attempts to be queued while the FIFO is being emptied, the error message incorporates error encoding 01000.

NOTE

DC1[OVC] can be set to delay the CPU in order to alleviate, but not eliminate, potential overrun situations.

Error information is messaged out in the format shown in [Figure 10-24](#):

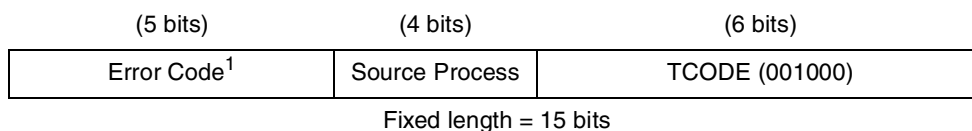


Figure 10-24. Error Message Format

¹ Must be one of 00001, 00111, or 01000.

10.7.2.8 Program Trace Synchronization Messages

A program trace direct/indirect branch with synchronization message is messaged using the auxiliary port, provided program trace is enabled, for the following conditions (see [Table 10-24](#)):

- Initial program trace message upon the first direct/indirect branch after exit from system reset or whenever program trace is enabled
- Upon direct/indirect branch after returning from a CPU low-power state
- Upon direct/indirect branch after returning from debug mode
- Upon direct/indirect branch after occurrence of queue overrun, which can be caused by any trace message
- Upon direct/indirect branch after the periodic program trace counter has expired, indicating 255 without-synchronization program trace messages have occurred since the last with-synchronization message occurred
- Upon direct/indirect branch after assertion of the event-in (*nex_evti_b*) signal, if the EIC bits within the DC1 register have enabled this feature
- Upon direct/indirect branch after the sequential instruction counter has expired, indicating 255 instructions have occurred between branches
- Upon direct/indirect branch after a BTM message was lost due to an attempted access to a secure memory location (for SOCs with security)
- Upon direct/indirect branch after a BTM message was lost due to a collision entering the FIFO between the BTM message and either a watchpoint message or an ownership trace message

If the Nexus3/Nexus2+ module is enabled at reset, a *nex_evti_b* assertion initiates a program trace direct/indirect branch with synchronization message if program trace is enabled upon the first direct/indirect branch. The format for program trace direct/indirect branch with synchronization messages is shown in [Figure 10-25](#):

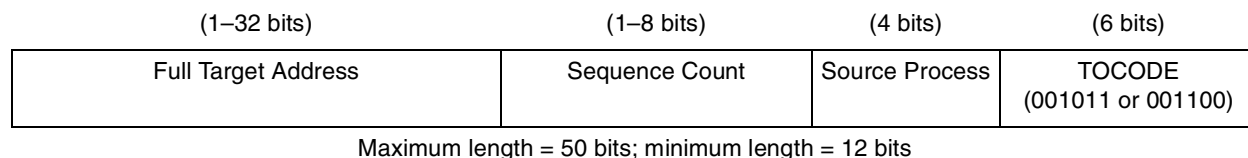


Figure 10-25. Direct/Indirect Branch with Synchronization Message Format

The formats for program trace direct/indirect branch with synchronized messages and indirect branch history with synchronized messages are shown in [Figure 10-26](#):

(1–32 bits)	(1–32 bits)	(1–8 bits)	(4 bits)	(6 bits)
Branch History	Full Target Address	Sequence Count	Source Process	TCODE (011101)

Maximum length = 82 bit; Minimum length = 13 bits

Figure 10-26. Indirect Branch History with Synchronization Message Format

Exception conditions that result in program trace synchronization are summarized in [Table 10-24](#).

Table 10-24. Program Trace Exception Summary

Exception Condition	Exception Handling
System reset negation	At the negation of JTAG reset, <i>j_trst_b</i> , queue pointers, counters, state machines, and registers within the Nexus3/Nexus2+ module are reset. Upon the first branch out of system reset, if program trace is enabled, the first program trace message is a direct/indirect branch with synchronization message.
Program trace enabled	The first program trace message, after program trace has been enabled, is a synchronization message.
Exit from low power/debug	Upon exit from a low-power mode or debug mode, the next direct/indirect branch is converted to a direct/indirect branch with synchronization message.
Queue overrun	An error message occurs when the message queue is full and a new message cannot be queued. The FIFO discards messages until it has completely emptied the queue. Once emptied, an error message is queued. The error encoding indicates which types of messages attempted to be queued while the FIFO was being emptied. The next BTM message in the queue is a direct/indirect branch with synchronization message.
Periodic program trace synchronization	A forced synchronization occurs periodically after 255 program trace messages have been queued. A direct/indirect branch with synchronization message is queued. The periodic program trace message counter then resets.
Event in	If the Nexus module is enabled, asserting <i>nex_evti_b</i> initiates a direct/indirect branch with synchronization message upon the next direct/indirect branch, if program trace is enabled and the EIC bits of the DC1 register have enabled this feature.
Sequential instruction count overflow	When the sequential instruction counter reaches its maximum count (up to 255 sequential instructions may be executed), a forced synchronization occurs. The sequential counter then resets. A program trace direct/indirect branch with synchronization message is queued upon execution of the next branch.
Attempted access to secure memory	For SOCs that implement security, any attempted branch to secure memory locations temporarily disables program trace and causes the corresponding BTM to be lost. The following direct/indirect branch queues a direct/indirect branch with synchronization message. The count value within this message will be inaccurate since the re-enable of program trace is not necessarily aligned on an instruction boundary.
Collision priority	All messages have the following priority: WPM → OTM → BTM → DTM. A BTM message that attempts to enter the queue at the same time as a watchpoint message or ownership trace message is lost. An error message is sent indicating the BTM was lost. The following direct/indirect branch queues a direct/indirect branch with synchronization message. The count value within this message reflects the number of sequential instructions executed after the last successful BTM message was generated. This count includes the branch that did not generate a message due to the collision.
Execution mode switch	Whenever the CPU switches execution mode into or out of a sequence of VLE instructions, the next branch trace message will be a Direct/Indirect Branch w/ Sync Message.

10.7.3 BTM Operation

10.7.3.1 Enabling Program Trace

Both types of branch trace messaging can be enabled in one of two ways:

- Setting DC1[TM] to enable program trace
- Using WT[PTS] to enable program trace on watchpoint hits. e200z3 watchpoints are configured within the CPU.

10.7.3.2 Relative Addressing

The relative address feature is compliant with the *IEEE-ISTO 5001-2003* standard recommendations and is designed to reduce the number of bits transmitted for addresses of indirect branch messages.

The address transmitted is relative to the target address of the instruction that triggered the previous indirect branch or synchronized message. It is generated by XORing the new address with the previous address and then using only the results up to the most significant 1 bit in the result. To recreate this address, an XOR of the most significant zero-padded message address with the previously decoded address gives the current address. For the example given in [Figure 10-27](#), assume the previous address (A1) = 0x0003FC01, and the new address (A2) = 0x0003F365.

Message Generation	
A1	0000 0000 0000 0011 1111 1100 0000 0001
A2	0000 0000 0000 0011 1111 0011 0110 0101
$A1 \oplus A2$	0000 0000 0000 0000 0000 1111 0110 0100
M1 (Address Message)	1111 0110 0100
Address Re-creation	
A1	0000 0000 0000 0011 1111 1100 0000 0001
M1	0000 0000 0000 0000 0000 1111 0110 0100
$A1 \oplus M1$ (A2)	0000 0000 0000 0011 1111 0011 0110 0101

Figure 10-27. Relative Address Generation and Re-Creation Example

10.7.3.3 Execution Mode Indication

In order for a development tool to properly interpret instruction count and history information, it must be aware of the execution mode context of that information. VLE instructions will be interpreted differently from non-VLE instructions.

Program trace messages provide the execution mode status in the least significant bit of the reconstructed address field. A value of zero indicates that preceding instruction count and history information should be interpreted in a non-VLE context. A value of one indicates that the preceding instruction count and history information should be interpreted in a VLE context. Note that when a branch results in an execution mode

switch, the program trace message resulting from that branch will indicate the previous execution state. The new state will not be signaled until the next program trace message.

In some cases, a program correlation message is generated to indicate execution mode status. Refer to [Section 10.7.2.6, “Program Correlation Messages,”](#) for more information on these cases.

10.7.3.4 Branch/Predicate Instruction History (HIST)

If DC1[PTM] is set, BTM messaging uses the branch history format. The branch history (HIST) packet in these messages provides a history of direct branch execution used for reconstructing program flow. This packet is implemented as a left-shifting shift register. The register is always pre-loaded with a value of one. This bit acts as a stop bit so that the development tools can determine which bit is the end of the history information. The pre-loaded bit itself is not part of the history but is transmitted with the packet.

A value of one is shifted into the history buffer on a taken branch, conditional or unconditional, and on any instruction whose predicate condition executed as true. A value of zero is shifted into the history buffer on any instruction whose predicate condition executed as false, as well as on branches not taken. This includes indirect as well as direct branches not taken. For the **evsel** instruction, two bits are shifted in, corresponding to the low element shifted in first, and the high element shifted in second.

10.7.3.5 Sequential Instruction Count (I-CNT)

The I-CNT packet is present in all BTM messages. For traditional branch messages, I-CNT represents the number of sequential instructions, or non-taken branches, in between direct/indirect branch messages.

For branch history messages, I-CNT represents the number of instructions executed since the last taken/non-taken direct branch, predicate instruction, last taken/not-taken indirect branch, or exception. Branch instructions that trigger message generation are included in the I-CNT. Instructions that generate history bits are not included in the I-CNT.

The sequential instruction counter overflows when its value reaches 255 and is reset to 0. The next BTM message (corresponding to the 256th or later instruction) is converted to a synchronization type message.

10.7.3.6 Program Trace Queuing

Nexus3/Nexus2+ implements a programmable depth queue (a minimum of 32 entries is recommended) for queuing all messages. Messages that enter the queue are transmitted through the auxiliary pins in the order in which they are queued.

NOTE

If multiple trace messages need to be queued at the same time, watchpoint messages have the highest priority:
(WPM → OTM → BTM → DTM).

10.7.4 Program Trace Timing Diagrams (2 MDO/1 MSEO Configuration)

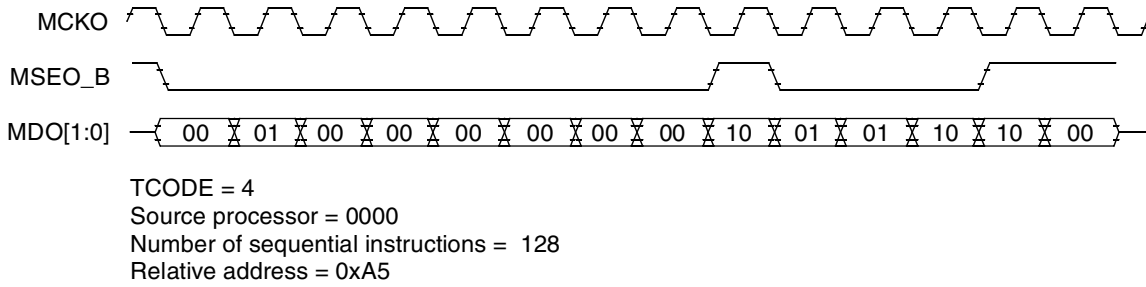


Figure 10-28. Program Trace—Indirect Branch Message (Traditional)

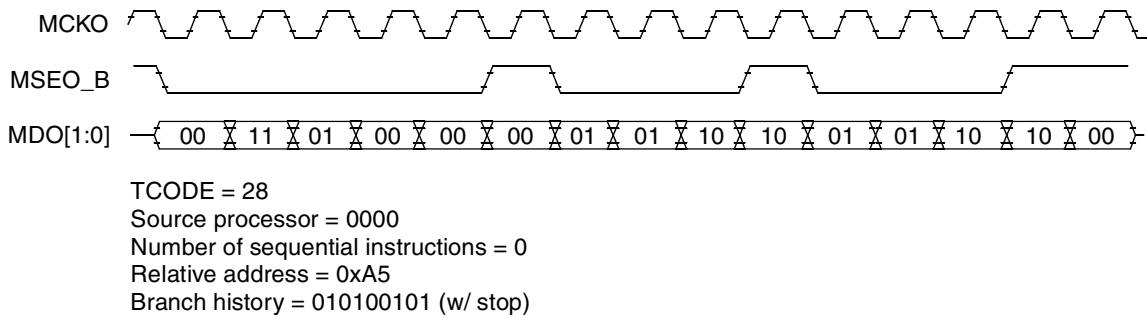


Figure 10-29. Program Trace—Indirect Branch Message (History)

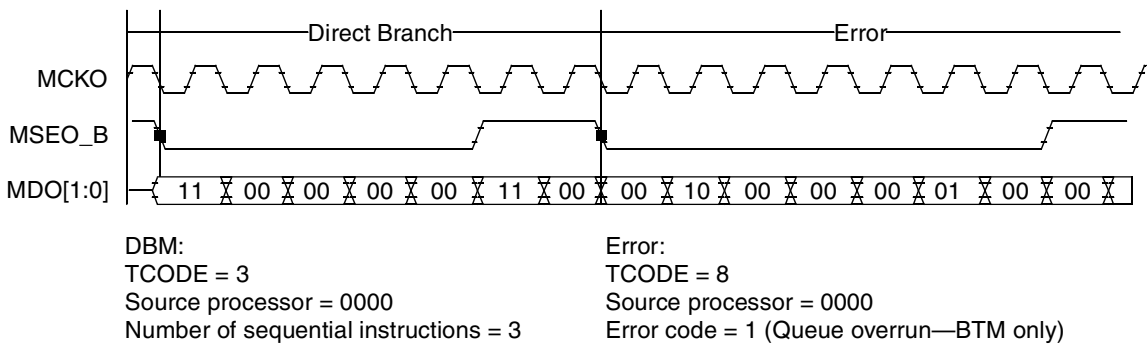


Figure 10-30. Program Trace—Direct Branch (Traditional) and Error Messages

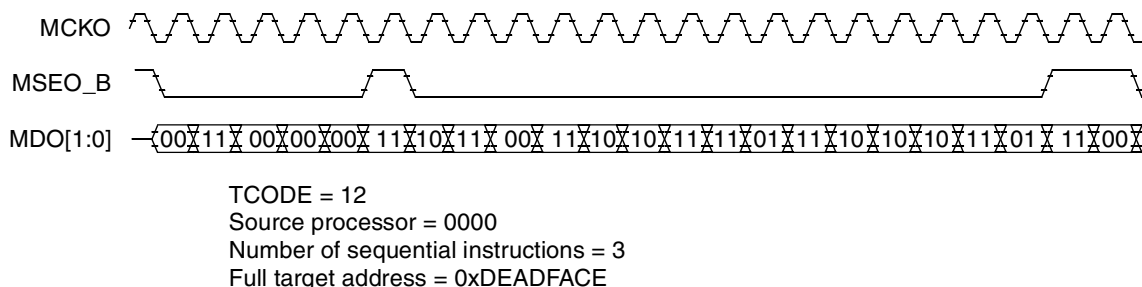


Figure 10-31. Program Trace—Indirect Branch with Synchronization Message

10.8 Data Trace

This section deals with the data trace mechanism supported by the Nexus3/Nexus2+ module. Data trace is implemented by means of data write messaging (DWM) and data read messaging (DRM) in accordance with the *IEEE-ISTO 5001-2003* standard.

10.8.1 Data Trace Messaging (DTM)

Data trace messaging for the e200z3 is accomplished by snooping the e200z3 virtual data bus between the CPU and MMU, and storing the information for qualifying access, based on enabled features and matching target addresses. The Nexus3/Nexus2+ module traces all data accesses that meet the selected range and attributes.

NOTE

Data trace is only performed on the e200z3 virtual data bus. This allows for data visibility for e200z3 processors that incorporate a data cache. Only e200z3 CPU-initiated accesses are traced. No DMA accesses to the AHB system bus are traced.

Data trace messaging can be enabled in one of two ways:

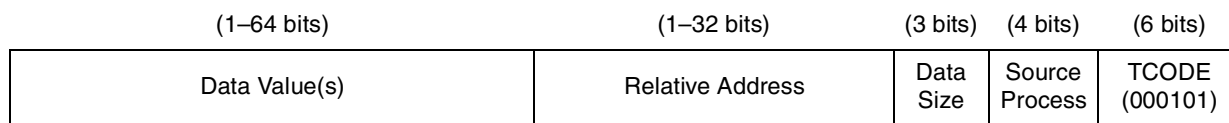
- Setting DC1[TM] to enable data trace.
- Using WT[DTS] to enable data trace on watchpoint hits. e200z3 watchpoints are configured within the Nexus1 module.

10.8.2 DTM Message Formats

The Nexus3/Nexus2+ block supports five types of DTM messages: data write, data read, data write synchronization, data read synchronization, and error messages.

10.8.2.1 Data Write Messages

The data write message contains the data write value and the address of the write access, relative to the previous data trace message. Data write message information is messaged out in the format shown in [Figure 10-32](#):



Maximum length = 109 bits; minimum length = 15 bits

Figure 10-32. Data Write Message Format

10.8.2.2 Data Read Messages

The data read message contains the data read value and the address of the read access, relative to the previous data trace message. Data read message information is messaged out in the format shown in [Figure 10-33](#):



Maximum length = 109 bits; minimum length = 15 bits

Figure 10-33. Data Read Message Format

NOTE

For e200z3-based CPUs, the double-word encoding, $p_tsiz = 0$, indicates a double-word access and is sent out as a single data trace message with a single 64-bit data value.

The debug/development tool needs to distinguish between the two cases based on the family of e200z3 processors.

10.8.2.3 DTM Overflow Error Messages

An error message occurs when the message queue is full and a new message cannot be queued. The FIFO discards incoming messages until it has completely emptied the queue. Once emptied, an error message is queued. The error encoding indicates which types of messages attempted to be queued while the FIFO was being emptied.

If only a DTM attempts to enter the queue while it is being emptied, the error message incorporates the data trace only error encoding 00010. If both OTM and DTM attempt to enter the queue, the error message incorporates the OTM and data trace error encoding, 00111. If a watchpoint also attempts to be queued while the FIFO is being emptied, the error message incorporates error encoding, 01000.

NOTE

DC1[OVC] can be set to delay the CPU in order to alleviate, but not eliminate, potential overrun situations.

Error information is messaged out in the format shown in [Figure 10-34](#):

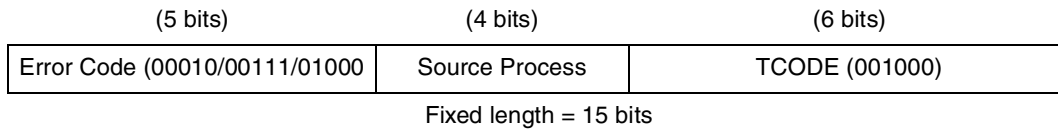


Figure 10-34. Error Message Format

10.8.2.4 Data Trace Synchronization Messages

A data trace write/read with synchronization message is messaged through the auxiliary port, provided data trace is enabled, for the following conditions (see [Table 10-25](#)):

- Initial data trace message after exit from system reset or whenever data trace is enabled
- Upon returning from a CPU low-power state
- Upon returning from debug mode
- After occurrence of queue overrun (can be caused by any trace message), provided data trace is enabled
- After the periodic data trace counter has expired, indicating 255 data trace messages have occurred without synchronization since the last with-synchronization message occurred
- Upon assertion of the event-in *nex_evti_b* pin, the first data trace message is a synchronization message if the EIC bits of the DC1 register have enabled this feature.
- Upon data trace write/read after the previous DTM message was lost due to an attempted access to a secure memory location (for SOC's with security)
- Upon data trace write/read after the previous DTM message was lost due to a collision entering the FIFO between the DTM message and any of the following:
 - watchpoint message
 - ownership trace message
 - branch trace message

Data trace synchronization messages provide the full address, without leading zeros, and ensure that development tools fully synchronize with data trace regularly. Synchronization messages provide a reference address for subsequent DTMs, in which only the unique portion of the data trace address is transmitted. The format for data trace write/read with synchronization messages is as follows:

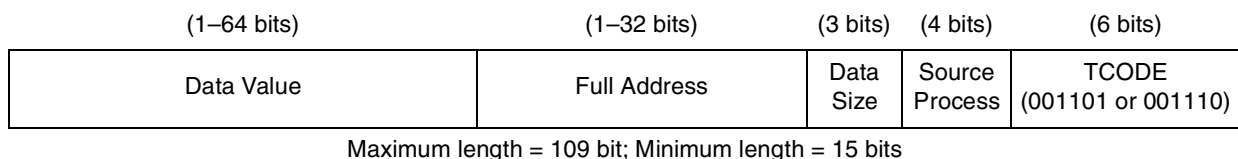


Figure 10-35. Data Write/Read with Synchronization Message Format

Exception conditions that result in data trace synchronization are summarized in [Table 10-25](#).

Table 10-25. Data Trace Exception Summary

Exception Condition	Exception Handling
System reset negation	At the negation of JTAG reset (<i>j_trst_b</i>), queue pointers, counters, state machines, and registers within the Nexus3/Nexus2+ module are reset. If data trace is enabled, the first data trace message is a data write/read with synchronization message.
Data trace enabled	The first data trace message (after data trace has been enabled) is a synchronization message.
Exit from low power/debug	Upon exit from a low-power mode or debug mode, the next data trace message is converted to a data write/read with synchronization message.
Queue overrun	An error message occurs when a new message cannot be queued due to the message queue being full. The FIFO discards messages until it has completely emptied the queue. Once emptied, an error message is queued. The error encoding indicates which type(s) of messages attempted to be queued while the FIFO was being emptied. The next DTM message in the queue will be a data write/read with synchronization message.
Periodic data trace synchronization	A forced synchronization occurs periodically after 255 data trace messages have been queued. A data write/read with synchronization message is queued. The periodic data trace message counter then resets.
Event in	If the Nexus module is enabled, a <i>nex_evti_b</i> assertion initiates a data trace write/read with synchronization message upon the next data write/read (if data trace is enabled and the EIC bits of the DC1 register have enabled this feature).
Attempted access to secure memory	For SOCs that implement security, any attempted read or write to secure memory locations temporarily disables data trace and causes the corresponding DTM to be lost. A subsequent read/write queues a data trace read/write with a synchronization message.
Collision priority	All messages have the following priority: WPM → OTM → BTM → DTM. A DTM message that attempts to enter the queue at the same time as a watchpoint message or ownership trace message or branch trace message will be lost. A subsequent read/write queues a data trace read/write with a synchronization message.

10.8.3 DTM Operation

10.8.3.1 DTM Queueing

Nexus3/Nexus2+ implements a programmable depth queue (a minimum of 32 entries is recommended) for queuing all messages. Messages that enter the queue are transmitted through the auxiliary pins in the order in which they are queued.

NOTE

If multiple trace messages need to be queued simultaneously, watchpoint messages have the highest priority:
WPM → OTM → BTM → DTM. Up to two messages may be simultaneously queued.

10.8.3.2 Relative Addressing

The relative address feature is compliant with the *IEEE-ISTO 5001-2003* standard recommendations and is designed to reduce the number of bits transmitted for addresses of data trace messages. Refer to [Section 10.7.3.2, “Relative Addressing,”](#) for details.

10.8.3.3 Data Trace Windowing

Data write/read messages are enabled by the $RWT1n$ field in the data trace control register, DTC, for each DTM channel. Data trace windowing is achieved through the address range defined by the DTEA and DTSA registers and by $DTC[RC1n]$. All e200z3-initiated read/write accesses that fall inside or outside these address ranges, as programmed, are candidates to be traced.

10.8.3.4 Data Access/Instruction Access Data Tracing

The Nexus3/Nexus2+ module is capable of tracing both instruction access data or data access data. Each trace window can be configured for either type of data trace by setting the $DI1n$ field within the data trace control register for each DTM channel.

10.8.3.5 e200z3 Bus Cycle Special Cases

Table 10-26. e200z3 Bus Cycle Cases

Special Case	Action
e200z3 bus cycle aborted	Cycle ignored
e200z3 bus cycle with data error (\overline{TEA})	Data trace message discarded
e200z3 bus cycle completed without error	Cycle captured and transmitted
e200z3 (AHB) bus cycle initiated by Nexus3/Nexus2+	Cycle ignored
e200z3 bus cycle is an instruction fetch	Cycle ignored
e200z3 bus cycle accesses misaligned data (across 64-bit boundary)—both first and second transactions within data trace range	First and second cycle captured and two DTMs transmitted
e200z3 bus cycle accesses misaligned data (across 64-bit boundary)—first transaction within data trace range; second transaction out of data trace range	First cycle captured and transmitted; second cycle ignored
e200z3 bus cycle accesses misaligned data (across 64-bit boundary)—first transaction out of data trace range; second transaction within data trace range	First cycle ignored; second cycle captured and transmitted

NOTE

For a misaligned access that crosses a 64-bit boundary, the access is broken into two accesses. If both accesses are within the data trace range, two DTMs are sent: one with a size encoding indicating the size of the original access, that is, word, and one with a size encoding for the portion that crossed the boundary, that is, 3 bytes See [Table 3-10](#) for examples of misaligned accesses.

NOTE

An STM (store) to the cache's store buffer within the data trace range initiates a DTM message. If the corresponding memory access causes an error, a checkstop condition occurs. The debug/development tool should use this indication to invalidate the previous DTM.

10.8.4 Data Trace Timing Diagrams (8 MDO/2 MSEO Configuration)

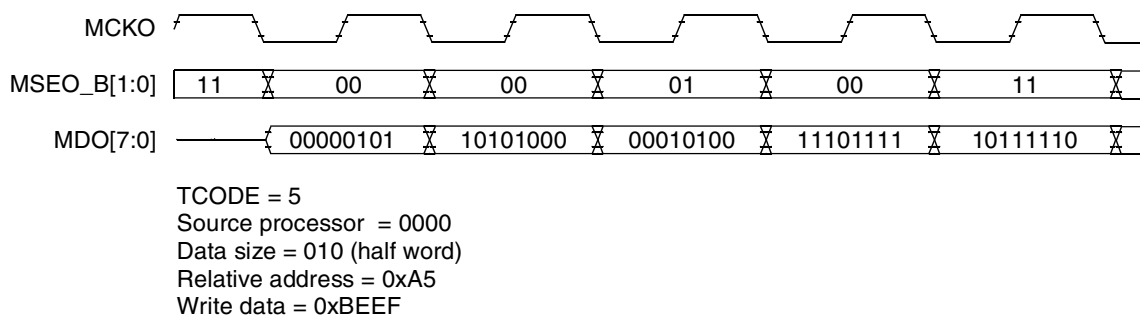


Figure 10-36. Data Trace—Data Write Message

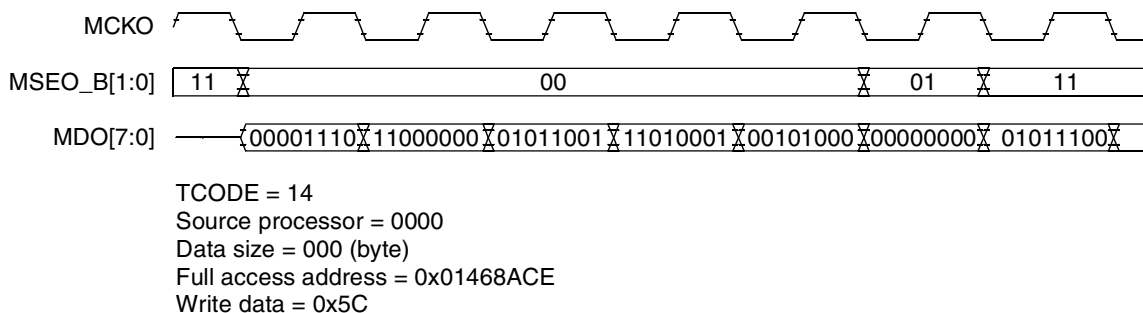


Figure 10-37. Data Trace—Data Read with Synchronization Message

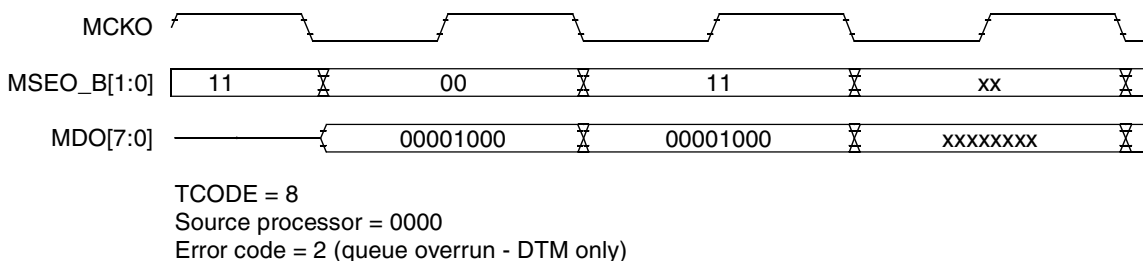


Figure 10-38. Error Message (Data Trace Only Encoded)

10.9 Watchpoint Support

This section details the watchpoint features of the Nexus3/Nexus2+ module.

10.9.1 Overview

The Nexus3/Nexus2+ module provides watchpoint messaging by means of the auxiliary pins, as defined by the *IEEE-ISTO 5001-2003* standard.

Nexus3/Nexus2+ is not compliant with class 4 breakpoint/watchpoint requirements defined in the standard. The breakpoint/watchpoint control register is not implemented.

10.9.2 Watchpoint Messaging

Enabling watchpoint messaging is done by setting the watchpoint enable bit in the DC1 register. Setting the individual watchpoint sources is supported through the e200z3 Nexus1 module. The e200z3 Nexus1 module is capable of setting multiple address and/or data watchpoints. Please refer to [Chapter 9, “Debug Support,”](#) for details on watchpoint initialization.

When these watchpoints occur, a watchpoint event signal from the Nexus1 module causes a message to be sent to the queue to be messaged out. This message includes the watchpoint number indicating which watchpoint caused the message.

The occurrence of any of the e200z3-defined watchpoints can be programmed to assert the event out, *nex_evto_b*, pin for one period of the output clock, *nex_mcko*; see [Table 10-31](#) for details on *nex_evto_b*.

Watchpoint information is messaged out in the format shown in [Figure 10-39](#):

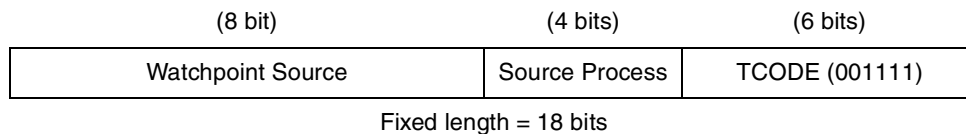


Figure 10-39. Watchpoint Message Format.

Table 10-27. Watchpoint Source Encoding

Watchpoint Source (8-Bits)	Watchpoint Description
0000_0001	e200z3 watchpoint #0 (IAC1 from Nexus1)
0000_0010	e200z3 watchpoint #1 (IAC2 from Nexus1)
0000_0100	e200z3 watchpoint #2 (IAC3 from Nexus1)
0000_1000	e200z3 watchpoint #3 (IAC4 from Nexus1)
0001_0000	e200z3 watchpoint #4 (DAC1 from Nexus1)
0010_0000	e200z3 watchpoint #5 (DAC2 from Nexus1)

Table 10-27. Watchpoint Source Encoding (continued)

Watchpoint Source (8-Bits)	Watchpoint Description
0100_0000	e200z3 watchpoint #6 (DCNT1 from Nexus1)
1000_0000	e200z3 watchpoint #7 (DCNT2 from Nexus1)

10.9.3 Watchpoint Error Message

An error message occurs when the message queue is full and a new message cannot be queued. The FIFO discards messages until it has completely emptied the queue. Once emptied, an error message is queued. The error encoding indicates which types of messages attempted to be queued while the FIFO was being emptied.

If only a watchpoint message attempts to enter the queue while it is being emptied, the error message incorporates the watchpoint-only error encoding, 00110. If an OTM and/or program trace and/or data trace message also attempts to enter the queue while it is being emptied, the error message incorporates error encoding 01000.

NOTE

DC1[OVC] can be set to delay the CPU in order to alleviate, but not eliminate, potential overrun situations.

Error information is messaged out in the format, shown in [Figure 10-40](#):

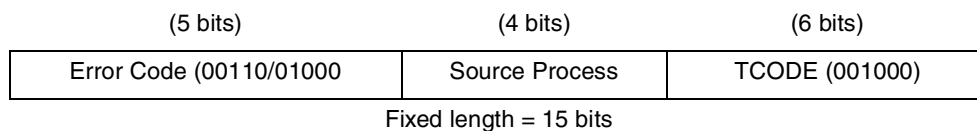


Figure 10-40. Error Message Format

10.9.4 Watchpoint Timing Diagram (2 MDO/1 MSEO Configuration)

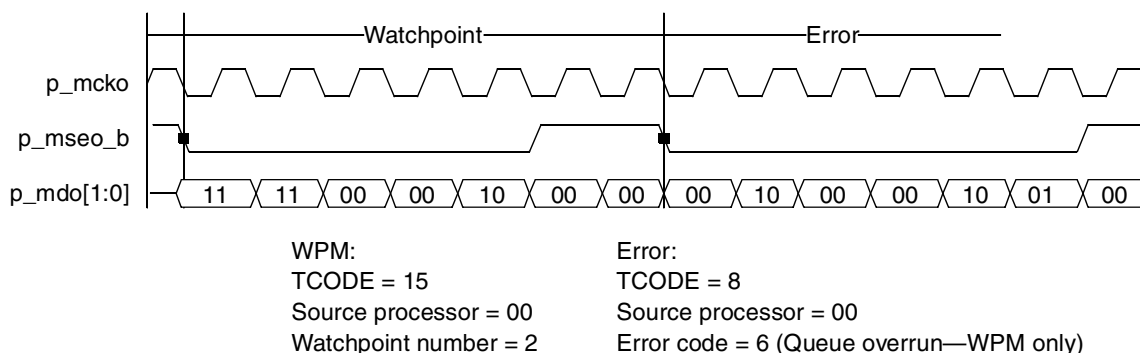


Figure 10-41. Watchpoint Message and Watchpoint Error Message

10.10 Nexus3/Nexus2+ Read/Write Access to Memory-Mapped Resources

The read/write access feature allows access to memory-mapped resources through the JTAG/OnCE port. The read/write mechanism supports single as well as block reads and writes to e200z3 AHB resources.

The Nexus3/Nexus2+ module is capable of accessing resources on the e200z3 system bus, AHB, with multiple configurable priority levels. Memory-mapped registers and other non-cached memory can be accessed through the standard memory map settings.

All accesses are set up and initiated by the read/write access control/status register, RWCS, as well as RWA and RWD.

Using RWCS, RWA and RWD, memory-mapped e200z3 AHB resources can be accessed through Nexus3/Nexus2+. The following sections describe the steps that are required to access memory-mapped resources.

NOTE

Read/write access can only access memory-mapped resources when system reset is de-asserted and clocks are running. Misaligned accesses are not supported in the e200z3 Nexus3/Nexus2+ module.

10.10.1 Single Write Access

NOTE

In the first three steps, the registers are initialized using the access method outlined in [Section 10.5](#), “Nexus3/Nexus2+ Register Access Through JTAG/OnCE.”

1. Initialize RWA using the Nexus register index of 0x9; see [Table 10-7](#). Configure as shown below:
— Write address = 0xn_{nnnn}_n_{nnn} (write address)
2. Initialize RWCS using the Nexus register index of 0x7; see [Table 10-7](#). Configure the fields as shown in [Table 10-28](#):

Table 10-28. Single Write Access Field Settings

Field	Setting
AC (Access control)	1 (indicates start access)
MAP (Map select)	000 (primary memory map)
PR (Access priority)	00 (lowest priority)
RW (Read/write)	1 (write access)
SZ (Word size)	0nn (32-bit, 16-bit, 8-bit)
CNT (Access count)	0x0000 or 0x0001 (single access)

NOTE

Access count (CNT) of 0x0000 or 0x0001 performs a single access.

3. Initialize RWD using the Nexus register index of 0xA; see [Table 10-7](#). Configure as shown below:
 - Write data = 0xnnnn_nnnn (write data)
4. The Nexus block then arbitrates for the AHB system bus and transfers the data value from the data buffer RWD register to the memory-mapped address in RWA. When the access has completed without error (ERR=0), Nexus asserts the *nex_rdy_b* signal (see [Table 10-31](#) for detail on *nex_rdy_b*) and clears RWCS[DV]. This indicates that the device is ready for the next access.

NOTE

Only the *nex_rdy_b* signal and the DV and ERR fields within RWCS provide read/write access status to the external development tool.

10.10.2 Block Write Access (Non-Burst Mode)

1. For a non-burst block write access, follow Steps 1, 2, and 3 outlined in [Section 10.10.1, “Single Write Access,”](#) to initialize the registers, but use a value greater than one (0x0001) for RWCS[CNT].
2. The Nexus block then arbitrates for the AHB system bus and transfers the first data value from the RWD register to the memory-mapped address in RWA. When the transfer has completed without error (ERR = 0), the address from the RWA register is incremented to the next word size (specified in RWCS[SZ]), and the number from the CNT field is decremented. Nexus then asserts the *nex_rdy_b* pin. This indicates that the device is ready for the next access.
3. Repeat step 3 in [Section 10.10.1, “Single Write Access,”](#) until the internal CNT value is zero. When this occurs, RWCS[DV] is cleared to indicate the end of the block write access.

10.10.3 Block Write Access (Burst Mode)

1. For a burst block write access, follow steps 1 and 2 outlined in [Section 10.10.1, “Single Write Access,”](#) to initialize the registers, using a value of four (double-word) for RWCS[CNT] and an RWCS[SZ] value of 0b011, indicating 64-bit access.
2. Initialize the burst data buffer (RWD register) through the access method outlined in [Section 10.5, “Nexus3/Nexus2+ Register Access Through JTAG/OnCE,”](#) using the Nexus register index of 0xA; see [Table 10-7](#).
3. Repeat step 2 until all double-word values are written to the buffer.

NOTE

The data values must be shifted in 32 bits at a time, least significant bit first (that is, double-word write = two word writes to RWD).

4. The Nexus block then arbitrates for the AHB system bus and transfers the burst data values from the data buffer to the AHB beginning from the memory mapped address in RWA. For each access within the burst, the address from the RWA register is incremented to the next double-word size (as specified in RWCS[SZ]), modulo the length of the burst, and the number from the CNT field is decremented.
5. When the entire burst transfer has completed without error (ERR=0), Nexus3/Nexus2+ then asserts the *nex_rdy_b* pin, and RWCS[DV] is cleared to indicate the end of the block write access.

NOTE

The actual RWA and RWCS[CNT] values are not changed when executing a block write access, burst or non-burst. The original values can be read by the external development tool at any time.

10.10.4 Single Read Access

1. Initialize RWA with the access method outlined in [Section 10.5, “Nexus3/Nexus2+ Register Access Through JTAG/OnCE,”](#) using the Nexus register index of 0x9; see [Table 10-7](#). Configure as shown below:
— Read address = 0xnnnn_nnnn (read address)
2. Initialize RWCS with the access method outlined in [Section 10.5, “Nexus3/Nexus2+ Register Access Through JTAG/OnCE,”](#) using the Nexus register index of 0x7; see [Table 10-7](#). Configure the bits as shown in [Table 10-29](#):

Table 10-29. Single Read Access Parameter Settings

Parameter	Settings
Access control (AC)	1 (to indicate start access)
Map select (MAP)	000 (primary memory map)
Access priority (PR)	00 (lowest priority)
Read/write (RW)	0 (read access)
Word size (SZ)	0nn (32-bit, 16-bit, 8-bit)
Access count (CNT)	0x0000 or 0x0001 (single access)

NOTE

Access count (CNT) of 0x0000 or 0x0001 performs a single access.

3. The Nexus block then arbitrates for the AHB system bus and the read data is transferred from the AHB to the RWD register. When the transfer is completed without error (ERR=0), Nexus asserts the *nex_rdy_b* pin (see [Table 10-31](#) for details on *nex_rdy_b*) and sets RWCS[DV]. This indicates that the device is ready for the next access.
4. The data can then be read from RWD with the access method outlined in [Section 10.5, “Nexus3/Nexus2+ Register Access Through JTAG/OnCE,”](#) using the Nexus register index of 0xA; see [Table 10-7](#).

NOTE

Only the *nex_rdy_b* signal and the DV and ERR bits within RWCS provide read/write access status to the external development tool.

10.10.5 Block Read Access (Non-Burst Mode)

1. For a non-burst block read access, follow steps 1 and 2 outlined in [Section 10.10.4, “Single Read Access,”](#) to initialize the registers, but using a value greater than one (0x0001) for RWCS[CNT].
2. The Nexus block then arbitrates for the AHB system bus, and the read data is transferred from the AHB to the RWD register. When the transfer has completed without error (ERR = 0), the address from RWA is incremented to the next word size (specified in the SZ field), and the number from the CNT field is decremented. Nexus then asserts the *nex_rdy_b* pin. This indicates that the device is ready for the next access.
3. The data can then be read from RWD with the access method outlined in [Section 10.5, “Nexus3/Nexus2+ Register Access Through JTAG/OnCE,”](#) using the Nexus register index of 0xA, see [Table 10-7](#).
4. Repeat steps 3 and 4 in [Section 10.10.4, “Single Read Access,”](#) until the CNT value is zero. When this occurs, RWCS[DV] is set to indicate the end of the block read access.

10.10.6 Block Read Access (Burst Mode)

1. For a burst block read access, follow steps 1 and 2 outlined in [Section 10.10.4, “Single Read Access,”](#) to initialize the registers, using a value of four (double-words) for the CNT field and an SZ field indicating 64-bit access in RWCS.
2. The Nexus block then arbitrates for the AHB system bus and the burst read data is transferred from the AHB to the data buffer (RWD register). For each access within the burst, the address from the RWA register is incremented to the next double-word, specified in the SZ field, and the number from the CNT field is decremented.
3. When the entire burst transfer has completed without error (ERR=0), Nexus then asserts the *nex_rdy_b* pin, and RWCS[DV] is set to indicate the end of the block read access.
4. The data can then be read from the burst data buffer (RWD register) with the access method outlined in [Section 10.5, “Nexus3/Nexus2+ Register Access Through JTAG/OnCE,”](#) using the Nexus register index of 0xA; see [Table 10-7](#).
5. Repeat step 3 until all double-word values are read from the buffer.

NOTE

The data values must be shifted out 32-bits at a time, least significant bit first, that is double-word read = two word reads from RWD.

NOTE

The actual RWA and CNT values within RWCS are not changed when executing a block read access, burst or non-burst. The original values can be read by the external development tool at any time.

10.10.7 Error Handling

The Nexus3/Nexus2+ module handles various error conditions as described in the following sections.

10.10.7.1 AHB Read/Write Error

All address and data errors that occur on read/write accesses to the e200z3 AHB system bus return a transfer error encoding on the *p_hresp[1:0]* signals. If this occurs, the following steps are taken:

1. The access is terminated without retrying, and RWCS[AC] is cleared.
2. RWCS[ERR] is set.
3. The error message is sent, TCODE = 8, indicating read/write error.

10.10.7.2 Access Termination

The following cases are defined for sequences of the read/write protocol that differ from those described in the above sections.

1. If RWCS[AC] is set to start read/write accesses and invalid values are loaded into RWD or RWA, an AHB access error may occur. This is handled as described above.
2. If a block access is in progress, all cycles are not completed, and the RWCS register is written. The original block access is terminated at the boundary of the nearest completed access.
 - a) If RWCS[AC] is set, the next read/write access begins and the RWD can be written to / read from.
 - b) If RWCS[AC] is cleared, the read/write access is terminated at the nearest completed access. This method can be used to break block accesses or terminate them early.

10.10.7.3 Read/Write Access Error Message

The read/write access error message is sent out when an AHB system bus access error, read or write, has occurred.

Error information is messaged out in the format shown in [Figure 10-42](#):

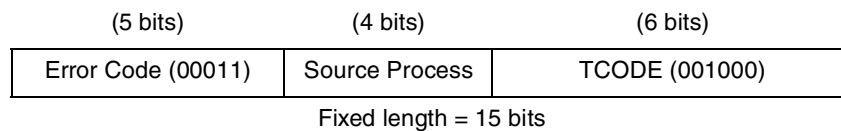


Figure 10-42. Error Message Format

10.11 Nexus3/Nexus2+ Pin Interface

This section details the Nexus3/Nexus2+ pins and pin protocol.

The Nexus3/Nexus2+ pin interface provides the function of transmitting messages from the messages queues to the external tools. It is also responsible for handshaking with the message queues.

10.11.1 Pins Implemented

The Nexus3/Nexus2+ module implements one *nex_evti_b* and either one *nex_mseo_b* or two *nex_mseo_b[1:0]*. It also implements a configurable number of *nex_mdo[n:0]* pins, *nex_rdy_b* pin, *nex_evto_b* pin, and one clock output pin, *nex_mcko*. The output pins are synchronized to the Nexus3/Nexus2+ output clock, *nex_mcko*.

All Nexus3/Nexus2+ input functionality is controlled through the JTAG/OnCE port, in compliance with IEEE 1149.1. (See [Section 10.5, “Nexus3/Nexus2+ Register Access Through JTAG/OnCE,”](#) for details.) The JTAG pins are incorporated as I/O to the e200z3 processor and are further described in [Section 9.5.2, “JTAG/OnCE Signals.”](#)

Table 10-30. JTAG Pins for Nexus3/Nexus2+

JTAG Pin	I/O	Description of JTAG Pins (included in e200z3 Nexus1)
<i>j_tdo</i>	O	Test data output. <i>j_tdo</i> is the serial output for test instructions and data. It is three-statable and is actively driven in the shift-IR and shift-DR controller states. It changes on the falling edge of <i>j_tclk</i> .
<i>j_tdi</i>	I	Test data input. <i>j_tdi</i> receives serial test instruction and data. TDI is sampled on the rising edge of <i>j_tclk</i> .
<i>j_tms</i>	I	Test mode select. Input pin used to sequence the OnCE controller state machine. <i>j_tms</i> is sampled on the rising edge of <i>j_tclk</i> .
<i>j_tclk</i>	I	Test clock. Input pin used to synchronize the test logic and control register access through the JTAG/OnCE port.
<i>j_trst_b</i>	I	Test reset. Input pin used to asynchronously initialize the JTAG/OnCE controller.

The auxiliary pins are used to send and receive messages and are described in [Table 10-31](#).

Table 10-31. Nexus3/Nexus2+ Auxiliary Pins

Auxiliary Pin	I/O	Description of Auxiliary Pins
<i>nex_mcko</i>	O	Message clock out. A free running output clock to development tools for timing of <i>nex_mdo[n:0]</i> and <i>nex_mseo_b[1:0]</i> pin functions. <i>nex_mcko</i> is programmable through the DC1 register.
<i>nex_mdo[n:0]</i>	O	Message data out. Used for OTM, BTM, and DTM. External latching of <i>nex_mdo[n:0]</i> occurs on the rising edge of the Nexus3/Nexus2+ clock (<i>nex_mcko</i>).
<i>nex_mseo_b[1:0]</i>	O	Message start/end out. Indicate when a message on the <i>nex_mdo[n:0]</i> pins has started, when a variable length packet has ended, and when the message has ended. External latching of <i>nex_mseo_b[1:0]</i> occurs on the rising edge of the Nexus3/Nexus2+ clock (<i>nex_mcko</i>). One- or two-pin MSEO functionality is determined at integration time according to the SOC implementation
<i>nex_rdy_b</i>	O	Ready. Used to indicate to the external tool that the Nexus block is ready for the next read/write access. If Nexus is enabled, this signal is asserted upon successful completion (without error) of an AHB system bus transfer (Nexus read or write) and is held asserted until the JTAG/OnCE state machine reaches the capture_dr state. Upon exit from system reset or if Nexus is disabled, <i>nex_rdy_b</i> remains de-asserted.

Table 10-31. Nexus3/Nexus2+ Auxiliary Pins (continued)

Auxiliary Pin	I/O	Description of Auxiliary Pins
<i>nex_evto_b</i>	O	Event out. An output whose assertion indicates that one of two events has occurred based on the bits in DC1[EOC]. <i>nex_evto_b</i> is held asserted for 1 cycle of <i>nex_mcko</i> : <ul style="list-style-type: none"> • One (or more) watchpoints has occurred (from Nexus1) and EOC = 00 • Debug mode was entered (<i>jd_debug_b</i> asserted from Nexus1) and EOC = 01
<i>nex_evti_b</i>	I	Event in. An input whose assertion initiates one of two events based on DC1[EIC] (if the Nexus module is enabled at reset): <ul style="list-style-type: none"> • Program trace and data trace synchronization messages (provided program trace and data trace are enabled and EIC = 00). • Debug request to e200z3 Nexus1 module (provided EIC = 01 and this feature is implemented).

The Nexus auxiliary port arbitration pins are used when the Nexus3/Nexus2+ module is implemented in a multiple Nexus SoC that shares a single auxiliary output port. The arbitration is controlled by an SoC-level Nexus port control module (NPC). Refer to [Section 10.13, “Auxiliary Port Arbitration,”](#) for details on Nexus port arbitration.

Table 10-32. Nexus Port Arbitration Signals

Nexus Port Arbitration Pins	Input/Output	Description of Arbitration Pins
<i>nex_aux_req[1:0]</i>	O	Nexus auxiliary request. Output signals indicating to an SoC level Nexus arbiter a request for access to the shared Nexus auxiliary port in a multiple Nexus implementation. The priority encodings are determined by how many messages are currently in the message queues, see Table 10-34 .
<i>nex_aux_busy</i>	O	Nexus auxiliary busy. An output signal to an SoC level Nexus arbiter indicating that the Nexus3/Nexus2+ module is currently transmitting its message after being granted the Nexus auxiliary port.
<i>npc_aux_grant</i>	I	Nexus auxiliary grant. An input from the SoC level Nexus port controller (NPC) indicating that the auxiliary port has been granted to the Nexus3/Nexus2+ module to transmit its message.
<i>ext_multi_nex_sel</i>	I	Multiple Nexus select. A static signal indicating that the Nexus3/Nexus2+ module is implemented within a multiple Nexus environment. If set, port control and arbitration is controlled by the SoC-level arbitration module (NPC).

10.11.2 Pin Protocol

The protocol for the e200z3 processor transmitting messages through the auxiliary pins is accomplished with the MSEO pin function outlined in [Table 10-33](#). Both single- and dual-pin cases are shown.

nex_mseo_b[1:0] is used to signal the end of variable-length packets, and not fixed length packets. *nex_mseo_b[1:0]* is sampled on the rising edge of the Nexus3/Nexus2+ clock, *nex_mcko*.

Table 10-33. MSEO Pin(s) Protocol

<i>nex_mseo_b</i> Function	Single <i>nex_mseo_b</i> data (serial)	Dual <i>nex_mseo_b[1:0]</i> data
Start of message	1–1–0	11–00
End of message	0–1–1–(more ones)	00 (or 01)–11–(more ones)

Table 10-33. MSEO Pin(s) Protocol (continued)

<i>nex_mseo_b</i> Function	Single <i>nex_mseo_b</i> data (serial)	Dual <i>nex_mseo_b[1:0]</i> data
End of variable length packet	0–1–0	00–01
Message transmission	0s	00s
Idle (no message)	1s	11s

Figure 10-43 shows the state diagram for single pin MSEO transfers.

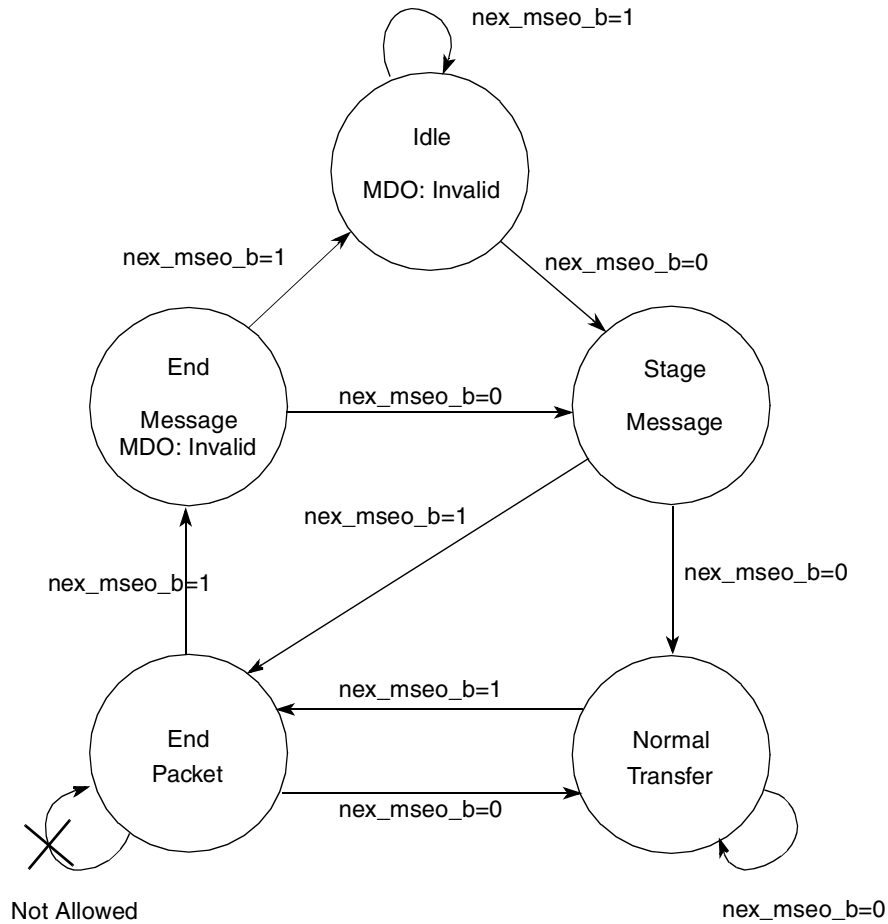


Figure 10-43. Single-Pin MSEO Transfers

Note that the end message state does not contain valid data on *nex_mdo[n:0]*. Also, it is not possible to have two consecutive end packet messages. This implies the minimum packet size for a variable length packet is 2x the number of *nex_mdo[n:0]* pins. This ensures that a false end-of-message state is not entered by emitting two consecutive 1s on *nex_mseo_b* before the actual end of message.

Figure 10-44 shows the state diagram for dual-pin MSEO transfers.

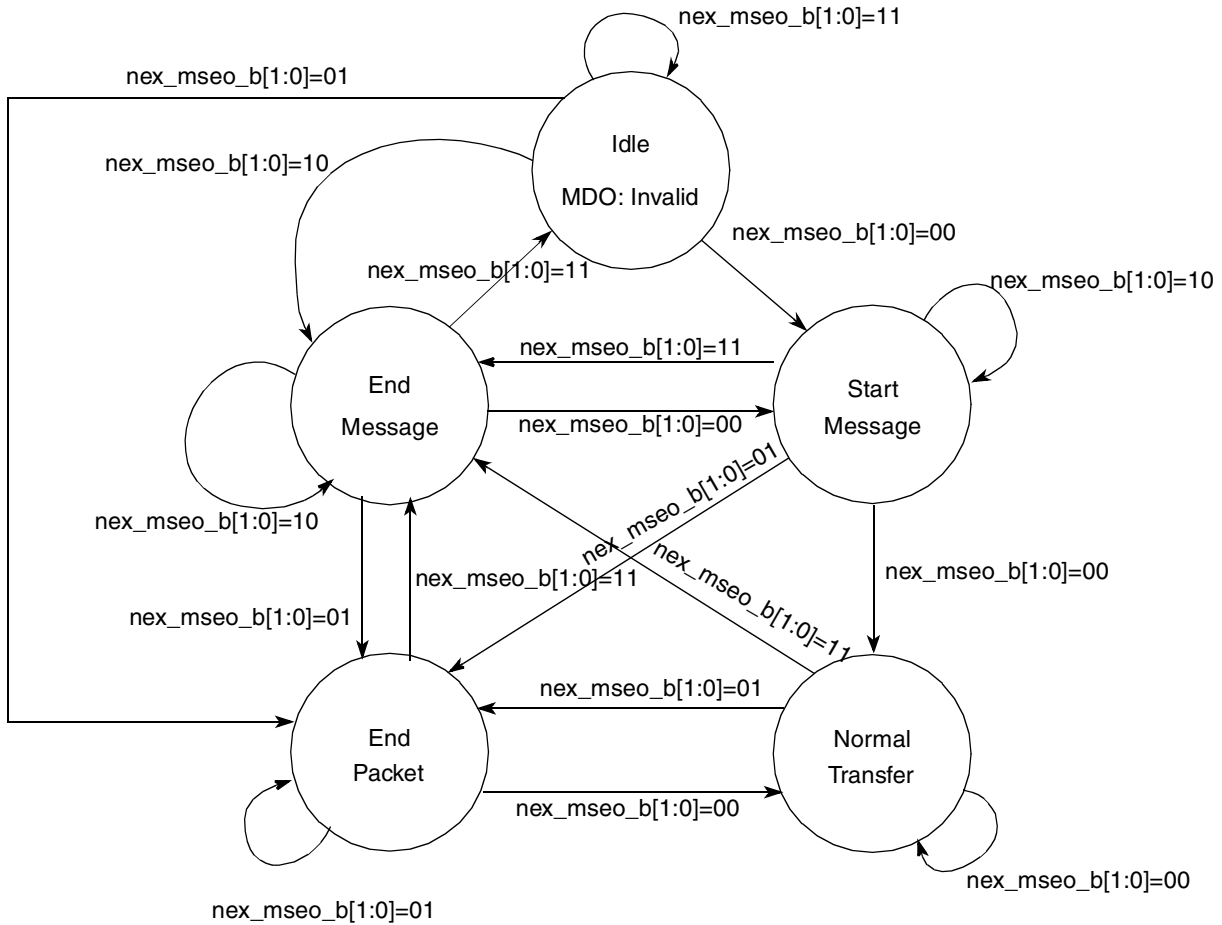


Figure 10-44. Dual-Pin MSEO Transfers

The dual-pin MSEO option is more robust than the single-pin option. Termination of the current message may immediately be followed by the start of the next message on consecutive clocks. An extra clock to end the message is not necessary as with the one MSEO pin option. The dual-pin option also allows for consecutive end packet states. This can be an advantage when small, variable sized packets are transferred.

NOTE

The end message state may also indicate the end of a variable-length packet as well as the end of the message when using the dual-pin option.

10.12 Rules for Output Messages

e200z3-based class 3-compliant embedded processors must provide messages through the auxiliary port in a consistent manner as described below:

- A variable-length packet within a message must end on a port boundary.
- A variable-length packet may start within a port boundary only when following a fixed-length packet. If two variable-length packets end and start on the same clock, it is impossible to know which bit is from the last packet and which bit is from the next packet.
- Whenever a variable-length packet is sized such that it does not end on a port boundary, it is necessary to extend and zero-fill the remaining bits after the highest order bit so that it can end on a port boundary.

For example, if the *nex_mdo[n:0]* port is 2 bits wide and the unique portion of an indirect address TCODE is 5 bits, the remaining 1 bit of *nex_mdo[n:0]* must be packed with a zero.

10.13 Auxiliary Port Arbitration

In a multiple Nexus environment, the Nexus3/Nexus2+ module must arbitrate for the shared Nexus port at the SoC level. The request scheme is implemented as a 2-bit request with various levels of priority. The priority levels are defined in [Table 10-34](#) below. The Nexus3/Nexus2+ module receives a 1-bit grant signal (*npc_aux_grant*) from the SoC level arbiter. When a grant is received, the Nexus3/Nexus2+ module begins transmitting its message following the protocol outlined in [Section 10.11.2, “Pin Protocol.”](#) The Nexus3/Nexus2+ module maintains control of the port, by asserting the *nex_aux_busy* signal, until the MSEO state machine reaches the end message state.

Table 10-34. MDO Request Encodings

Request Level	MDO Request Encoding (<i>nex_aux_req</i> [1:0])	Condition of Queue
No request	00	No message to send
Low priority	01	Message queue less than half full
—	10	Reserved
High priority	11	Message queue at least half full

10.14 Examples

The following are examples of program trace and data trace messages.

[Table 10-35](#) shows an example of an indirect branch message with 2 MDO/1 MSEO configuration.

[Table 10-36](#) shows the same example with an 8 MDO/2 MSEO configuration.

NOTE

During clock 12, the *nex_mdo[n:0]* pins are ignored in the single MSEO case.

Table 10-35. Indirect Branch Message Example (2 MDO/1 MSEO)¹

Clock	<i>nex_mdo[1:0]</i>		<i>nex_mseo_b</i>	State
0	X	X	1	Idle (or end of last message)
1	T1	T0	0	Start message
2	T3	T2	0	Normal transfer
3	T5	T4	0	Normal transfer
4	S1	S0	0	Normal transfer
5	S3	S2	0	Normal transfer
6	I1	I0	0	Normal transfer
7	I3	I2	0	Normal transfer
8	I5	I4	1	End packet
9	A1	A0	0	Normal transfer
10	A3	A2	0	Normal transfer
11	A5	A4	0	Normal transfer
12	A7	A6	1	End packet Note: During clock 12, the <i>nex_mdo[n:0]</i> pins are ignored in the single-MSEO case.
13	0	0	1	End message
14	T1	T0	0	Start message

¹ T0 and S0 are the least significant bits, where Tx = TCODE number (fixed); Sx = Source processor (fixed); Ix = Number of instructions (variable); Ax = Unique portion of the address (variable).

Table 10-36. Indirect Branch Message Example (8 MDO/2 MSEO)¹

Clock	<i>nex_mdo[7:0]</i>								<i>nex_mseo_b[1:0]</i>		State
0	X	X	X	X	X	X	X	X	1	1	Idle (or end of last message)
1	S1	S0	T5	T4	T3	T2	T1	T0	0	0	Start message
2	I5	I4	I3	I2	I1	I0	S3	S2	0	1	End packet
3	A7	A6	A5	A4	A3	A2	A1	A0	1	1	End packet/end message
4	S1	S0	T5	T4	T3	T2	T1	T0	0	0	Start message

¹ T0 and S0 are the least significant bits, where Tx = TCODE number (fixed); Sx = Source processor (fixed); Ix = Number of instructions (variable); Ax = Unique portion of the address (variable).

Table 10-38 shows examples of direct branch messages: one with 2 MDO/1 MSEO, and one with 8 MDO/2 MSEO.

Table 10-37. Direct Branch Message Example (2 MDO/1 MSEO)¹

Clock	nex_mdo[1:0]		nex_mseo_b	State
0	X	X	1	Idle (or end of last message)
1	T1	T0	0	Start message
2	T3	T2	0	Normal transfer
3	T5	T4	0	Normal transfer
4	S1	S0	0	Normal transfer
5	S3	S2	0	Normal transfer
6	I1	I0	1	End packet
7	0	0	1	End message

¹ T0 and I0 are the least-significant bits, where Tx = TCODE number (fixed); Sx = Source processor (fixed); Ix = Number of instructions (variable); Ax = Unique portion of the address (variable).

Table 10-38. Direct Branch Message Example (8 MDO / 2 MSEO)¹

Clock	nex_mdo[7:0]								nex_mseo_b[1:0]		State
0	X	X	X	X	X	X	X	X	1	1	Idle (or end of last message)
1	S1	S0	T5	T4	T3	T2	T1	T0	0	0	Start message
2	0	0	0	0	I1	I0	S3	S2	1	1	End packet/end message
3	S1	S0	T5	T4	T3	T2	T1	T0	0	0	Start message

¹ T0 and I0 are the least-significant bits, where Tx = TCODE number (fixed); Sx = Source processor (fixed); Ix = Number of instructions (variable); Ax = Unique portion of the address (variable).

Table 10-39 shows an example of a data write message with 8 MDO/1 MSEO configuration, and Table 10-40 shows the same DWM with 8 MDO/2 MSEO configuration.

Table 10-39. Data Write Message Example (8 MDO/1 MSEO)¹

Clock	nex_mdo[7:0]								nex_mseo_b	State
0	X	X	X	X	X	X	X	X	1	Idle (or end of last message)
1	S1	S0	T5	T4	T3	T2	T1	T0	0	Start message
2	A2	A1	A0	Z2	Z1	Z0	S3	S2	1	End packet
3	D7	D6	D5	D4	D3	D2	D1	D0	0	Normal transfer
4	0	0	0	0	0	0	0	0	1	End packet
5	0	0	0	0	0	0	0	0	1	End message

¹ T0, A0, D0 are the least-significant bits, where Tx = TCODE number (fixed); Sx = Source processor (fixed); Zx = Data size (fixed); Ax = Unique portion of the address (variable); Dx = Write data (variable-8, 16 or 32-bit).

Table 10-40. Data Write Message Example (8 MDO/2 MSEO)¹

Clock	<i>nex_mdo[7:0]</i>								<i>nex_mseo_b[1:0]</i>		State
0	X	X	X	X	X	X	X	X	1	1	Idle (or end of last message)
1	S1	S0	T5	T4	T3	T2	T1	T0	0	0	Start message
2	A2	A1	A0	Z2	Z1	Z0	S3	S2	0	1	End packet
3	D7	D6	D5	D4	D3	D2	D1	D0	1	1	End packet/end message

¹ T0, A0, D0 are the least-significant bits, where Tx = TCODE number (fixed); Sx = Source processor (fixed); Zx = Data size (fixed); Ax = Unique portion of the address (variable); Dx = Write data (variable - 8, 16 or 32-bit).

10.15 IEEE 1149.1 (JTAG) RD/WR Sequences

This section contains examples of JTAG/OnCE sequences used to access resources.

10.15.1 JTAG Sequence for Accessing Internal Nexus Registers

Table 10-41 shows the JTAG/OnCE sequence for accessing internal Nexus3/Nexus2+ registers.

Table 10-41. Accessing Internal Nexus3/Nexus2+ Registers through JTAG/OnCE

Step	TMS Pin	Description
1	1	IDLE—SELECT—DR_SCAN
2	0	SELECT—DR_SCAN—CAPTURE-DR (Nexus command register value loaded in shifter)
3	0	CAPTURE-DR—SHIFT-DR
4	0	(7) TCK clocks issued to shift in direction (RD/WR) bit and first 6 bits of Nexus register address
5	1	SHIFT-DR—EXIT1—DR (7th bit of Nexus reg. shifted in)
6	1	EXIT1-DR—UPDATE-DR (Nexus shifter is transferred to Nexus command register)
7	1	UPDATE-DR—SELECT—DR_SCAN
8	0	SELECT—DR_SCAN—CAPTURE-DR (Register value is transferred to Nexus shifter)
9	0	CAPTURE-DR—SHIFT-DR
10	0	(31) TCK clocks issued to transfer register value to TDO pin while shifting in TDI value
11	1	SHIFT-DR—EXIT1—DR (MSB of value is shifted in/out of shifter)
12	1	EXIT1-DR—UPDATE—DR (if access is write, shifter is transferred to register)
13	0	UPDATE-DR—RUN-TEST/IDLE (transfer complete—Nexus controller to register select state)

10.15.2 JTAG Sequence for Read Access of Memory-Mapped Resources

Table 10-42 shows the JTAG sequence for read-accessing memory-mapped resources.

Table 10-42. Accessing Memory-Mapped Resources (Reads)

Step #	TCLK clocks	Description
1	13	Nexus command = write to read/write access address register (RWA)
2	37	Write RWA (initialize starting read address–data input on TDI)
3	13	Nexus command = write to read/write control/status register (RWCS)
4	37	Write RWCS (initialize read access mode and CNT value–data input on TDI)
5	—	Wait for falling edge of <i>nex_rdy_b</i> pin
6	13	Nexus command = read read/write access data register (RWD)
7	37	Read RWD (data output on TDO)
8	—	If CNT > 0, go back to Step 5

10.15.3 JTAG Sequence for Write Access of Memory-Mapped Resources

Table 10-43 shows the JTAG sequence for write-accessing memory-mapped resources.

Table 10-43. Accessing Memory-Mapped Resources (Writes)

Step #	TCLK clocks	Description
1	13	Nexus command = write to read/write access control/status register (RWCS)
2	37	Write RWCS (initialize write access mode and CNT value–data input on TDI)
3	13	Nexus command = write to read/write address register (RWA)
4	37	Write RWA (initialize starting write address–data input on TDI)
5	13	Nexus command = read read/write access data register (RWD)
6	37	Write RWD (data output on TDO)
7	—	Wait for falling edge of <i>nex_rdy_b</i> pin
8	—	If CNT > 0, go back to Step #5

Appendix A

Revision History

Table A-1 provides a revision history for this document.

Table A-1. Document Revision History

Rev. Number	Date	Substantive Change(s)
2		Added e200z335 information throughout.
1	03/03/2006	<p>Throughout, edited language and format.</p> <p>3.3, 3-3, Table 3-1, "List of Unsupported Instructions," deleted footnotes.</p> <p>3.8, 3-5, at the end of the first paragraph, added the sentence, "This mechanism is described in Section 6.3.5, "Change-of-Flow Instruction Pipeline Operation."</p> <p>3.13.2, 3-38 ff., added Table 3-13, "Full Instruction Listing."</p> <p>7.3, 7-17, Table 7-11, "Descriptions of Interrupt Signals," <i>p_ipend</i> signal--Changed from "Indicates whether a <i>p_extint_b</i> or <i>p_critint_b</i> interrupt request or an enabled timer facility interrupt was recognized internally by the core, is enabled by the appropriate MSR bit and is asserted combinationally from the interrupt request inputs" to "Indicates whether a <i>p_extint_b</i> or <i>p_critint_b</i> interrupt request or an enabled timer facility interrupt was recognized internally by the core, is enabled by the appropriate MSR bit, and is asserted in response to interrupt request inputs."</p> <p>10.4, 10-10, Table 10-7, "Nexus3 Register Map," changed write address for last row (Reserved) from 0x29-7F to 0x29-0x7F.</p> <p>10.7.1.3, 10-25, before the last paragraph, added the sentence, "Branch history messaging facilitates program trace by providing the information described in Section 10.7.1.1, "e200z3 Indirect Branch Message Instructions (Book E)."</p>
0	12/22/2005	Initial release.

Glossary

The glossary contains an alphabetical list of terms, phrases, and abbreviations used in this book. Some of the terms and definitions included in the glossary are reprinted from IEEE Standard 754-1985, *IEEE Standard for Binary Floating-Point Arithmetic*, copyright ©1985 by the Institute of Electrical and Electronics Engineers, Inc. with the permission of the IEEE.

A

Architecture. A detailed specification of requirements for a processor or computer system. It does not specify details of how the processor or computer system must be implemented; instead it provides a template for a family of compatible *implementations*.

Asynchronous interrupt. *interrupts* that are caused by events external to the processor's execution. In this document, the term *asynchronous interrupt* is used interchangeably with the word *interrupt*.

Atomic access. A bus access that attempts to be part of a read-write operation to the same address uninterrupted by any other access to that address (the term refers to the fact that the transactions are indivisible). The PowerPC architecture implements *atomic accesses* through the **lwarx/stwcx** instruction pair.

B

Biased exponent. An *exponent* whose range of values is shifted by a constant (bias). Typically a bias is provided to allow a range of positive values to express a range that includes both positive and negative values.

Big-endian. A byte-ordering method in memory where the address *n* of a word corresponds to the *most-significant byte*. In an addressed memory word, the bytes are ordered (left to right) 0, 1, 2, 3, with 0 being the *most-significant byte*. See *Little-endian*.

Boundedly undefined. A characteristic of certain operation results that are not rigidly prescribed by the PowerPC architecture. Boundedly-undefined results for a given operation may vary among implementations and between execution attempts in the same implementation.

Although the architecture does not prescribe the exact behavior for when results are allowed to be *boundedly undefined*, the results of executing instructions in contexts where results are allowed to be *boundedly undefined* are constrained to ones that could have been achieved by executing an arbitrary sequence of defined instructions, in valid form, starting in the state the machine was in before attempting to execute the given instruction.

Branch prediction. The process of guessing whether a branch will be taken. Such predictions can be correct or incorrect; the term ‘predicted’ as it is used here does not imply that the prediction is correct (successful). The PowerPC architecture defines a means for *static branch* prediction as part of the instruction encoding.

Branch resolution. The determination of whether a branch is taken or not taken. A branch is said to be resolved when the processor can determine which instruction path to take. If the branch is resolved as predicted, the instructions following the predicted branch that may have been speculatively executed can complete (see *Completion*). If the branch is not resolved as predicted, instructions on the mispredicted path, and any results of speculative execution, are purged from the pipeline and fetching continues from the nonpredicted path.

C

Cache. High-speed memory containing recently accessed data or instructions (subset of main memory).

Cache block. A small region of contiguous memory that is copied from memory into a *cache*. The size of a *cache block* may vary among processors; the maximum block size is one *page*. In PowerPC processors, *cache coherency* is maintained on a cache-block basis. Note that the term *cache block* is often used interchangeably with ‘cache line.’

Cache coherency. An attribute wherein an accurate and common view of memory is provided to all devices that share the same memory system. Caches are coherent if a processor performing a read from its cache is supplied with data corresponding to the most recent value written to memory or to another processor’s cache.

Cache flush. An operation that removes from a cache any data from a specified address range. This operation ensures that any modified data within the specified address range is written back to main memory. This operation is generated typically by a Data Cache Block Flush (**dcbf**) instruction.

Caching-inhibited. A memory update policy in which the cache is bypassed and the load or store is performed to or from main memory.

Cast out. A *cache block* that must be written to memory when a cache miss causes a *cache block* to be replaced.

Changed bit. One of two *page history bits* found in each *page table entry* (PTE). The processor sets the changed bit if any store is performed into the *page*. See also *Page access history bits* and *Referenced bit*.

Clean. An operation that causes a *cache block* to be written to memory, if modified, and then left in a valid, unmodified state in the cache.

Clear. To cause a bit or bit field to register a value of zero. See also *Set*.

Completion. Completion occurs when an instruction has finished executing, written back any results, and is removed from the completion queue (CQ). When an instruction completes, it is guaranteed that this instruction and all previous instructions can cause no interrupts.

Context synchronization. An operation that ensures that all instructions in execution complete past the point where they can produce an *interrupt*, that all instructions in execution complete in the context in which they began execution, and that all subsequent instructions are *fetch*ed and executed in the new context. Context synchronization may result from executing specific instructions (such as **isync** or **rfi**) or when certain events occur (such as an *interrupt*).

Copy-back operation. A cache operation in which a cache line is copied back to memory to enforce cache coherency. Copy-back operations consist of snoop push-out operations and cache cast-out operations.

D **Denormalized number.** A nonzero floating-point number whose exponent has a reserved value, usually the format's minimum, and whose explicit or implicit leading significand bit is zero.

E **Effective address (EA).** The 32-bit address specified for a load, store, or an instruction fetch. This address is then submitted to the MMU for translation to either a *physical memory* address or an I/O address.

Exception. A condition that, if enabled, generates an interrupt.

Execution synchronization. A mechanism by which all instructions in execution are architecturally complete before beginning execution (appearing to begin execution) of the next instruction. Similar to context synchronization but doesn't force the contents of the instruction buffers to be deleted and refetched.

Exponent. In the binary representation of a floating-point number, the exponent is the component that normally signifies the integer power to which the value two is raised in determining the value of the represented number. See also *Biased exponent*.

F **Fall-through (branch fall-through).** A not-taken branch.

Fetch. Retrieving instructions from either the cache or main memory and placing them into the instruction queue.

Finish. Finishing occurs in the last cycle of execution. In this cycle, the CQ entry is updated to indicate that the instruction has finished executing.

Flush. An operation that causes a cache block to be invalidated and the data, if modified, to be written to memory.

Fraction. In the binary representation of a floating-point number, the field of the *significand* that lies to the right of its implied binary point.

G **General-purpose register (GPR).** Any of the 32 registers in the general-purpose register file. These registers provide the source operands and destination results for all integer data manipulation instructions. Integer load instructions move data from memory to GPRs and store instructions move data from GPRs to memory.

Guarded. The guarded attribute pertains to out-of-order execution. When a page is designated as guarded, instructions and data cannot be accessed out-of-order.

H **Harvard architecture.** An architectural model featuring separate caches and other memory management resources for instructions and data.

Hashing. An algorithm used in the *page table* search process.

I **IEEE 754.** A standard written by the Institute of Electrical and Electronics Engineers that defines operations and representations of binary floating-point numbers.

Illegal instructions. A class of instructions that are not implemented for a particular PowerPC processor. These include instructions not defined by the PowerPC architecture. In addition, for 32-bit implementations, instructions that are defined only for 64-bit implementations are considered to be illegal instructions. For 64-bit implementations instructions that are defined only for 32-bit implementations are considered to be illegal instructions.

Implementation. A particular processor that conforms to the PowerPC architecture, but may differ from other architecture-compliant implementations for example in design, feature set, and implementation of *optional* features. The PowerPC architecture has many different implementations.

Imprecise interrupt. A type of *synchronous interrupt* that is allowed not to adhere to the precise interrupt model (see *Precise interrupt*). The PowerPC architecture allows only floating-point exceptions to be handled imprecisely.

Instruction queue. A holding place for instructions fetched from the current instruction stream.

Integer unit. The functional unit in the processor responsible for executing all integer instructions.

In-order. An aspect of an operation that adheres to a sequential model. An operation is said to be performed in-order if, at the time that it is performed, it is known to be required by the sequential execution model. See *Out-of-order*.

Instruction latency. The total number of clock cycles necessary to execute an instruction and make ready the results of that instruction.

Interrupt. A condition encountered by the processor that requires special, supervisor-level processing.

Interrupt handler. A software routine that executes when an interrupt is taken. Normally, the interrupt handler corrects the condition that caused the interrupt, or performs some other meaningful task (that may include aborting the program that caused the interrupt).

K **Kill.** An operation that causes a *cache block* to be invalidated without writing any modified data to memory.

L **Latency.** The number of clock cycles necessary to execute an instruction and make ready the results of that execution for a subsequent instruction.

L2 cache. See *Secondary cache*.

Least-significant bit (lsb). The bit of least value in an address, register, field, data element, or instruction encoding.

Least-significant byte (LSB). The byte of least value in an address, register, data element, or instruction encoding.

Little-endian. A byte-ordering method in memory where the address n of a word corresponds to the *least-significant byte*. In an addressed memory word, the bytes are ordered (left to right) 3, 2, 1, 0, with 3 being the *most-significant byte*. See *Big-endian*.

M **Mantissa.** The decimal part of logarithm.

Memory access ordering. The specific order in which the processor performs load and store memory accesses and the order in which those accesses complete.

Memory-mapped accesses. Accesses whose addresses use the page or block address translation mechanisms provided by the MMU and that occur externally with the bus protocol defined for memory.

Memory coherency. An aspect of caching in which it is ensured that an accurate view of memory is provided to all devices that share system memory.

Memory consistency. Refers to agreement of levels of memory with respect to a single processor and system memory (for example, on-chip cache, secondary cache, and system memory).

Memory management unit (MMU). The functional unit that is capable of translating an *effective* (logical) *address* to a physical address, providing protection mechanisms, and defining caching methods.

Most-significant bit (msb). The highest-order bit in an address, registers, data element, or instruction encoding.

- Most-significant byte (MSB).** The highest-order byte in an address, registers, data element, or instruction encoding.
- NNaN.** An abbreviation for not a number; a symbolic entity encoded in floating-point format. There are two types of NaNs—signaling NaNs and quiet NaNs.
- No-op.** No-operation. A single-cycle operation that does not affect registers or generate bus activity.
- Normalization.** A process by which a floating-point value is manipulated such that it can be represented in the format for the appropriate precision (single- or double-precision). For a floating-point value to be representable in the single- or double-precision format, the leading implied bit must be a 1.
- Optional.** A feature, such as an instruction, a register, or an interrupt, that is defined by the PowerPC architecture but not required to be implemented.
- Out-of-order.** An aspect of an operation that allows it to be performed ahead of one that may have preceded it in the sequential model, for example, speculative operations. An operation is said to be performed out-of-order if, at the time that it is performed, it is not known to be required by the sequential execution model. See *In-order*.
- Out-of-order execution.** A technique that allows instructions to be issued and completed in an order that differs from their sequence in the instruction stream.
- Overflow.** An condition that occurs during arithmetic operations when the result cannot be stored accurately in the destination register(s). For example, if two 32-bit numbers are multiplied, the result may not be representable in 32 bits. Because 32-bit registers cannot represent this sum, an overflow condition occurs.
- Page.** A region in memory. The OEA defines a page as a 4-Kbyte area of memory, aligned on a 4-Kbyte boundary.
- Page access history bits.** The *changed* and *referenced* bits in the PTE keep track of the access history within the page. The referenced bit is set by the MMU whenever the page is accessed for a read or write operation. The changed bit is set when the page is stored into. See *Changed bit* and *Referenced bit*.
- Page fault.** A page fault is a condition that occurs when the processor attempts to access a memory location that does not reside within a *page* not currently resident in *physical memory*. On PowerPC processors, a page fault interrupt condition occurs when a matching, valid *page table entry* ($PTE[V] = 1$) cannot be located.
- Page table.** A table in memory is comprised of *page table entries*, or PTEs. It is further organized into eight PTEs per PTEG (page table entry group). The number of PTEGs in the page table depends on the size of the page table (as specified in the SDR1 register).
- Physical memory.** The actual memory that can be accessed through the system's memory bus.

Pipelining. A technique that breaks operations, such as instruction processing or bus transactions, into smaller distinct stages or tenures (respectively) so that a subsequent operation can begin before the previous one has completed.

Precise interrupts. A category of interrupt for which the pipeline can be stopped so instructions that preceded the faulting instruction can complete and subsequent instructions can be flushed and redispached after interrupt handling has completed. See *Imprecise interrupts*.

Primary opcode. The most-significant 6 bits (bits 0–5) of the instruction encoding that identifies the type of instruction.

Program order. The order of instructions in an executing program. More specifically, this term is used to refer to the original order in which program instructions are fetched into the instruction queue from the cache.

Protection boundary. A boundary between *protection domains*.

Q

Quiesce. To come to rest. The processor is said to quiesce when an interrupt is taken or a **sync** instruction is executed. The instruction stream is stopped at the decode stage and executing instructions are allowed to complete to create a controlled context for instructions that may be affected by out-of-order, parallel execution. See *Context synchronization*.

Quiet NaN. A type of *NaN* that can propagate through most arithmetic operations without signaling interrupts. A quiet NaN is used to represent the results of certain invalid operations, such as invalid arithmetic operations on infinities or on NaNs, when invalid. See *Signaling NaN*.

R

Record bit. Bit 31 (or the Rc bit) in the instruction encoding. When it is set, updates the condition register (CR) to reflect the result of the operation.

Referenced bit. One of two *page history bits* found in each *page table entry*. The processor sets the *referenced bit* whenever the page is accessed for a read or write. See also *Page access history bits*.

Register indirect addressing. A form of addressing that specifies one GPR that contains the address for the load or store.

Register indirect with immediate index addressing. A form of addressing that specifies an immediate value to be added to the contents of a specified GPR to form the target address for the load or store.

Register indirect with index addressing. A form of addressing that specifies that the contents of two GPRs be added together to yield the target address for the load or store.

Rename register. Temporary buffers used by instructions that have finished execution but have not completed.

Reservation. The processor establishes a reservation on a *cache block* of memory space when it executes an **lwarx** instruction to read a memory semaphore into a GPR.

Reservation station. A buffer between the dispatch and execute stages that allows instructions to be dispatched even though the results of instructions on which the dispatched instruction may depend are not available.

Retirement. Removal of the completed instruction from the CQ.

RISC (reduced instruction set computing). An *architecture* characterized by fixed-length instructions with nonoverlapping functionality and by a separate set of load and store instructions that perform memory accesses.

S

Secondary cache. A cache memory that is typically larger and has a longer access time than the primary cache. A secondary cache may be shared by multiple devices. Also referred to as L2, or level-2, cache.

Set (*v*). To write a nonzero value to a bit or bit field; the opposite of *clear*. The term ‘set’ may also be used to generally describe the updating of a bit or bit field.

Set (*n*). A subdivision of a *cache*. Cacheable data can be stored in a given location in one of the sets, typically corresponding to its lower-order address bits. Because several memory locations can map to the same location, cached data is typically placed in the set whose *cache block* corresponding to that address was used least recently. See *Set-associative*.

Set-associative. Aspect of cache organization in which the cache space is divided into sections, called *sets*. The cache controller associates a particular main memory address with the contents of a particular set, or region, within the cache.

Shadowing. Shadowing allows a register to be updated by instructions that are executed out of order without destroying machine state information.

Signaling NaN. A type of *NaN* that generates an invalid operation program interrupt when it is specified as arithmetic operands. See *Quiet NaN*.

Significand. The component of a binary floating-point number that consists of an explicit or implicit leading bit to the left of its implied binary point and a fraction field to the right.

Simplified mnemonics. Assembler mnemonics that represent a more complex form of a common operation.

Snooping. Monitoring addresses driven by a bus master to detect the need for coherency actions.

Snoop push. Response to a snooped transaction that hits a modified cache block. The cache block is written to memory and made available to the snooping device.

Split-transaction. A transaction with independent request and response tenures.

Split-transaction bus. A bus that allows address and data transactions from different processors to occur independently.

Stage. The term *stage* is used in two different senses, depending on whether the pipeline is being discussed as a physical entity or a sequence of events. In the latter case, a stage is an element in the pipeline during which certain actions are performed, such as decoding the instruction, performing an arithmetic operation, or writing back the results. Typically, the latency of a stage is one processor clock cycle. Some events, such as dispatch, write-back, and completion, happen instantaneously and may be thought to occur at the end of a stage. An instruction can spend multiple cycles in one stage. An integer multiply, for example, takes multiple cycles in the execute stage. When this occurs, subsequent instructions may stall. An instruction may also occupy more than one stage simultaneously, especially in the sense that a stage can be seen as a physical resource—for example, when instructions are dispatched they are assigned a place in the CQ at the same time they are passed to the execute stage. They can be said to occupy both the complete and execute stages in the same clock cycle.

Stall. An occurrence when an instruction cannot proceed to the next stage.

Static branch prediction. Mechanism by which software (for example, compilers) can hint to the machine hardware about the direction a branch is likely to take.

Store Queue. Holds store operations that have not been committed to memory, resulting from completed or retired instructions.

Superscalar. A superscalar processor is one that can dispatch multiple instructions concurrently from a conventional linear instruction stream. In a superscalar implementation, multiple instructions can be in the same stage at the same time.

Supervisor mode. The privileged operation state of a processor. In supervisor mode, software, typically the operating system, can access all control registers and can access the supervisor memory space, among other privileged operations.

Synchronization. A process to ensure that operations occur strictly *in order*. See *Context synchronization* and *Execution synchronization*.

Synchronous interrupt. An *interrupt* that is generated by the execution of a particular instruction or instruction sequence. There are two types of synchronous interrupts, *precise* and *imprecise*.

System memory. The physical memory available to a processor.

T

TLB (translation lookaside buffer). A cache that holds recently-used *page table entries*.

Throughput. The measure of the number of instructions that are processed per clock cycle.

U **Underflow.** A condition that occurs during arithmetic operations when the result cannot be represented accurately in the destination register. For example, underflow can happen if two floating-point fractions are multiplied and the result requires a smaller *exponent* and/or *mantissa* than the single-precision format can provide. In other words, the result is too small to be represented accurately.

User mode. The operating state of a processor used typically by application software. In user mode, software can access only certain control registers and can access only user memory space. No privileged operations can be performed. Also referred to as problem state.

V **VEA (virtual environment architecture).** The level of the *architecture* that describes the memory model for an environment in which multiple devices can access memory, defines aspects of the cache model, defines cache control instructions, and defines the time-base facility from a user-level perspective. *Implementations* that conform to the PowerPC VEA also adhere to the UISA, but may not necessarily adhere to the OEA.

Virtual address. An intermediate address used in the translation of an *effective address* to a physical address.

Virtual memory. The address space created using the memory management facilities of the processor. Program access to *virtual memory* is possible only when it coincides with *physical memory*.

W **Way.** A location in the cache that holds a cache block, its tags and status bits.

Word. A 32-bit data element.

Write-back. A cache memory update policy in which processor write cycles are directly written only to the cache. External memory is updated only indirectly, for example, when a modified cache block is *cast out* to make room for newer data.

Write-through. A cache memory update policy in which all processor write cycles are written to both the cache and memory.

Index

A

- Accumulator
 - signal processing engine (SPE) APU, 2-18
- Acronyms and abbreviated terms, list, 1-xxx
- Address translation
 - see* Memory management unit (MMU)
- Alignment
 - misaligned accesses, 3-1
- Alignment interrupt, 4-15
 - see also* Interrupt handling
- Auxiliary processing units (APUs)
 - APU unavailable interrupt, 4-18
 - debug APU, 9-2
 - embedded single-precision floating-point (SPFP) APUs, 3-2, 3-14–3-15
 - signal processing engine (SPE) APU, 4-25

B

- Block diagram, 1-2
- Book E architecture
 - interrupt and exception model
 - interrupt registers, 2-18
- Branch prediction
 - instruction model, 3-5
- Branch registers
 - condition register (CR), 2-11–2-14
 - CR setting for compare instructions, 2-13
 - CR setting for integer instructions, 2-12
 - CR setting for store conditional instructions, 2-13
 - count register (CTR), 2-14
 - link register (LR), 2-14
- Branch target buffer (BTB)
 - branch unit control and status register (BUCSR), 2-51
- Branch trace messaging (BTM), *see* Nexus3 module
- Breakpoints, *see* Instruction address compare registers (IAC1–IAC4)
- BUCSR (branch unit control and status register), 2-51

C

- Cache
 - cache control
 - configuration register (L1CFG0), 2-51
 - debug (hardware)
 - and cache operation, 9-32
- Carry bit (for integer operations), 2-10

- Completion queue (CQ), Glossary-3
- Context switching
 - registers, 2-60
- Conventions
 - notational, 1-xxix
 - terminology, 1-xxx
- Core complex interface
 - internal signal definitions, 7-4
- CPUCSR (CPU status and control scan chain reg.), 9-24
- CR (condition register), 2-11–2-14
 - CR setting for compare instructions, 2-13
 - CR setting for integer instructions, 2-12
 - CR setting for store conditional instructions, 2-13
- Critical input interrupt (cint), 4-10
 - see also* Interrupt handling
- CSC (client select control register), 10-10
- CSRR0 (critical save/restore register 0), 2-19, 4-1
- CSRR1 (critical save/restore register 1), 2-20, 4-1
- CTL (control state register), 9-25
- CTR (count register), 2-14
- CTXCR (context control register), 2-60

D

- d, 1-xxix
- DAC1–DAC4 (data address compare registers), 2-34
- Data organization in memory and data transfers, 3-1
- Data TLB error interrupt, 4-21
 - see also* Interrupt handling
- Data trace messaging (DTM), *see* Nexus3 module
- DBCNT (debug counter register), 2-34
- DBCR0–DBCR3 (debug control and status registers), 2-34–2-46
- DBSR (debug status register), 2-46–2-47
- DC1, DC2 (development control registers), 10-12
- DEAR (data exception address register), 2-20, 5-14
- Debug facilities
 - cache operation during debug, 9-32
 - debug APU, 3-6
 - exceptions, 4-22
 - see also* Exceptions
 - interrupts, 4-21
 - see also* Interrupt handling
 - MMU implications, 5-15
 - Nexus3 module, *see* Nexus3 module
 - OnCE controller, 9-9–9-31
 - protocol and commands, 9-16

- enabling, using, and exiting external debug mode, 9-32
- entering debug mode, 9-23
- register access requirements, 9-21–9-23
- signals, 9-13
 - external, 9-14
 - internal, 9-14
- overview
 - debug APU, 9-2
 - hardware debug facilities, 9-2
 - software debug facilities, 9-1
 - Book E compatibility, 9-2
- power management considerations, 8-3
- registers, 2-33–2-47, 9-4
 - control state register (CTL), 9-25
 - CPU status and control scan chain (CPUSCR), 9-24
 - instruction address FIFO buffer (PC FIFO), 9-29
 - instruction register (IR), 9-25
 - machine state register (MSR), 9-29
 - OnCE command register (OCMR), 9-17
 - OnCE control register (OCR), 9-20
 - OnCE status register (OSR), 9-17
 - program counter register (PC), 9-28
 - write-back bus (WBBR (lower and upper)), 9-28
- software debug events and exceptions, 9-4
- watchpoint signaling, 9-31
- DEC (decrementer register), 2-32
- DECAR (decrementer auto-reload register), 2-32
- Decrementer
 - DEC (decrementer register), 2-32
 - DECAR (decrementer auto-reload register), 2-32
 - decrementer interrupt, 4-18
 - see also Interrupt handling
- Doze mode, see Power management
- DS (development status register), 10-14
- DSI (data storage interrupt), 4-12
 - see also Interrupt handling
- DSRR0 (debug save/restore register 0), 2-25, 4-1
- DSRR1 (debug save/restore register 1), 2-25, 4-1
- DTC (data trace control register), 10-19
- DTEA1–2 (data trace end address 1, 2 registers), 10-20
- DTSA1–2 (data trace start address 1, 2 reg's), 10-20

E

- e200z6 overview, 1-1
 - auxiliary processing units (APUs)
 - machine check
 - rfmci** instruction, 1-6
 - single-precision floating-point (SPFP)
 - instructions, 1-6
 - block diagram, 1-2
 - comparisons with legacy PowerPC devices, 1-13

- exception handling, 1-14
 - instruction set compatibility, 1-13
 - little endian mode, 1-15
 - memory management unit (MMU) and TLBs, 1-14
 - reset operation, 1-15
- exceptions and interrupt handling, 1-7
 - critical interrupts, 1-9
 - interrupt classes, 1-8
 - interrupt registers, 1-9
 - interrupt types, 1-8
- features, 1-3
- programming model
 - instruction set, 1-6
- Effective address (EA), 5-4
 - translation to real address, see Memory management unit (MMU)
- Embedded floating-point instructions, 1-6
- Embedded single-precision floating-point (SPFP) APUs
 - instructions, 3-2, 3-14–3-15
- ESR (exception syndrome register), 2-22, 4-4
- Exception handling
 - extended model, 1-7
 - overview, 1-14
- Exceptions
 - definition, 4-1
 - enabling and disabling, 4-31
 - exception handling, see Interrupt handling
 - exception processing, 4-2
 - exception syndrome register (ESR), 2-22, 4-4
 - priorities, 4-28
 - recognition and priority, 4-27
 - register settings
 - ESR, 4-1
 - MSR, 4-5
 - returning from an exception handler, 4-32
 - summary table, 4-3
 - terminology, 4-2
 - types (more granular than interrupts)
 - alignment exception, 4-15
 - data access exceptions, 5-14
 - debug exceptions, 4-22
 - DSI exception, 4-12, 4-20, 4-21
 - exceptions and conditions, 4-3
 - FP unavailable exception, 4-17
 - machine check exception, 4-11
 - program exception, 4-16
 - reset exception, 4-24
 - system call exception, 4-17
 - TLB miss exceptions, 5-8

F

- Fixed-interval timer

fixed-interval timer interrupt, 4-19
 see also Interrupt handling

Floating-point model
 floating-point unavailable interrupt, 4-17
 see also Interrupt handling

FP unavailable exception, 4-17

G

GPRn (general-purpose registers 0–31), 2-10

Guarded attribute (G bit)
 see Memory/cache access attributes (WIMGE bits)

H

HIDn (hardware implementation-dependent registers)
 HID0, 2-48
 HID1, 2-50

I

IAC1–IAC4 (instruction address compare registers), 2-33

Instruction address compare
 as breakpoints, 2-33

Instruction address FIFO buffer (PC FIFO), 9-29

Instruction set
 compatibility, 1-13
 overview, 1-6

Instruction TLB error interrupt, 4-21
 see also Interrupt handling

Instructions
 complete summary (sorted alphabetically), 3-17–3-28,
 3-39–3-58
 complete summary (sorted by opcode), 3-28

debug APU
rfdi, 3-6

e200z6-specific, 3-6

floating-point, 3-2, 3-14–3-15

interrupts and instruction execution, 3-5

invalid instruction forms, 3-16

isel (instruction select) APU, 3-6

isync, 4-32

load and store
 memory synchronization, 3-4

lwarx, 3-5

mbar, 3-5

memory reservations, 3-4

memory synchronization, 3-4

msync, 3-4, 4-32

rftci, 4-32

rfdi, 4-32

rfti, 4-32

scalar floating-point, 1-6

SPE (signal processing engine APU), 3-6–3-13, 3-49

SPFP (single-precision floating-point APUs)
 floating-point, 3-14–3-15

stwcx., 3-5, 4-32

unsupported, 3-2

Integer exception register (XER), 2-10

Interrupt classes
 categories, 1-8

Interrupt handling
 classes of interrupts, 4-2
 critical/non-critical, 4-2
 precise/imprecise, 4-2
 synchronous/asynchronous interrupts, 4-2

definition, 4-1

interrupt processing, 4-30

interrupt types
 alignment interrupt, 4-15
 auxiliary processor unavailable, 4-25
 critical input interrupt, 4-10
 debug interrupts, 4-21
 decremter, 4-18
 DSI (data storage interrupt), 4-12
 fixed-interval timer, 4-19
 floating-point unavailable interrupt, 4-17
 ISI (instruction storage interrupt), 4-13
 IVOR assignments, 4-9
 machine check interrupt, 4-11
 program interrupt, 4-16
 SPE floating-point data interrupt, 4-26
 SPE floating-point round interrupt, 4-26
 system call, 4-17
 system reset interrupt, 4-24

TLB error
 data TLB error interrupt, 4-20
 instruction TLB error interrupt, 4-20
 instruction/data register settings, 4-20

watchdog timer, 4-19

overview, 4-1

registers
 critical save/restore 0 (CSRR0), 2-19
 critical save/restore 1 (CSRR1), 2-20
 critical save/restore register 0 (CSRR0), 4-1
 critical save/restore register 1 (CSRR1), 4-1
 data exception address (DEAR), 2-20
 debug save/restore register 0 (DSRR0), 4-1
 debug save/restore register 1 (DSRR1), 4-1
 defined by Book E for interrupts, 2-18

e200z6-specific
 debug save/restore register 0 (DSRR0), 2-25
 debug save/restore register 1 (DSRR1), 2-25
 machine check syndrome (MCSR), 2-25
 interrupt vector offset (IVORn), 2-21

- interrupt vector prefix (IVPR), 2-20
- machine state register (MSR), 2-6, 4-5
- save/restore 0 (SRR0), 2-19
- save/restore 1 (SRR1), 2-19
- save/restore register 0 (SRR0), 4-1
- save/restore register 1 (SRR1), 4-1
- return from interrupt handler, 4-32
- Interrupt registers
 - overview, 1-9
- Interrupts
 - types, 1-8
- IPROT invalidation protection, 5-8
 - see also Memory management unit (MMU)
- IR (instruction register), 9-25
- isel** (instruction select) APU, 3-6
- ISI (instruction storage interrupt), 4-13
 - see also Interrupt handling
- isync**, 4-32
- IVOR0–IVOR15, IVOR32–IVOR34 (interrupt vector offset registers), 2-21
- IVOR0–IVOR15, IVOR32–IVOR34 (vector offset registers), 4-8, 4-9
- IVPR (interrupt vector prefix register), 2-20, 4-8

J

- JTAG interface
 - sequences
 - reads of memory-mapped resources, 10-55
 - writes of memory-mapped resources, 10-55

L

- L1 cache, see Cache
- L1CFG0 (L1 cache configuration register), 2-51
- LR (link register), 2-14
- lwarx**, 3-5

M

- Machine check exception, 4-11
- Machine check interrupt, 1-9, 4-11
 - see also Interrupt handling
- MAS0–MAS4, MAS6 (MMU assist registers), 2-54–2-59, 5-14
- mbar**, 3-5
- MCSR (machine check syndrome register), 2-25
- Memory management
 - overview, 1-14
- Memory management unit (MMU)
 - address space, 5-4
 - address translation
 - address space, 5-4

- effective to real translation, 5-2
- field comparisons, 5-5
- page size (effective address bits compared), 5-5
- page size (real address generation), 5-5
- translation flow, 5-3, 5-4
- virtual addresses, 5-4
 - entry compare process, 5-5
- debug implications, 5-15
- effective addresses, 5-4
- features, 5-1
- MMU assist registers (MAS0–MAS4, MAS6), 5-14
 - field updates, 5-15
 - summary of fields, 5-14
- overview, 5-1
- permission attributes, 5-6
 - granting access, 5-7
- process ID (and PID0 register), 5-4
- registers, 2-52–2-59
- TLB concept, 5-7
- TLBs
 - access time, 5-8
 - entry compare process, 5-5
 - entry field definitions, 5-9
 - instructions, 5-2
 - tlbivax**, 5-11, 5-12
 - tlbre**, 5-11
 - tlbsx**, 5-11, 5-12
 - tlbsync**, 5-11
 - tlbwe**, 5-11, 5-12
 - maintenance features, 5-1
 - programming model, 5-2
 - operations
 - coherency control, 5-12
 - load on reset, 5-13
 - miss exception update, 5-8
 - reading, 5-11
 - searching, 5-12
 - translation reload, 5-11
 - writing, 5-12
 - organization, 5-7
 - replacement algorithm, 5-8
 - software interface and instructions, 5-10
- Memory subsystem
 - overview, 1-14
- Memory synchronization, 3-4
 - reservation instructions, 3-4
 - synchronization instructions, 3-4
- Memory/cache access attributes (WIMGE bits)
 - caching-inhibited accesses (I bit), 2-57
 - endianness (little-endian) bit (E bit), 2-57
 - guarded memory bit (G bit), 2-57, 5-9
 - memory coherency required bit (M bit), 2-57

write-through mode (W bit), 2-57

mfspr

and MAS registers, 5-10

Misalignment in accesses, 3-1

MMUCFG (MMU configuration register), 2-52

MMUCSR0 (MMU control and status register), 2-52

MSCR (machine check syndrome register), 4-7

MSR (machine state register), 2-6, 4-5, 9-29

msync, 3-4, 4-32

mtspr

and MAS registers, 5-10

N

Nap mode, see Power management

Nexus3 module

access to memory-mapped resources, 10-42

block read access (burst mode), 10-45

block read access (non-burst), 10-45

block write access (burst mode), 10-43

block write access (non-burst), 10-43

single read access, 10-44

single write access, 10-42

auxiliary port

arbitration, 10-51

rules for output messages, 10-51

block diagram, 10-4

branch trace messaging (BTM)

data trace timing diagrams, 10-39

direct branch message instructions, 10-24

for program tracing, 10-24

indirect branch message instructions, 10-24

message formats, 10-25–10-30

BTM overflow error messages, 10-28

debug status messages, 10-27

direct branch messages (traditional), 10-26

indirect branch messages (history), 10-26

indirect branch messages (traditional), 10-26

program correlation messages, 10-27

program trace synchronization messages, 10-29

resource full messages, 10-26

operation, 10-31

branch/predicate instruction history (HIST), 10-32

enabling program trace, 10-31

program trace queueing, 10-32

relative addressing, 10-31

sequential instruction count (I-CNT), 10-32

program trace timing diagrams, 10-33–10-34

using branch history messages, 10-25

using traditional program trace messages, 10-25

data trace messaging (DTM)

message formats, 10-34–10-37

data read messages, 10-35

data trace synchronization messages, 10-36

data write messages, 10-34

DTM overflow error messages, 10-35

operation

data access/instruction access data tracing, 10-38

data trace windowing, 10-38

DTM queueing, 10-37

relative addressing, 10-38

special cases (bus cycles), 10-38

error handling

access termination, 10-46

AHB read/write error, 10-46

read/write access error message, 10-46

example messages, 10-51

features, 10-2

IEEE 1149.1 (JTAG) sequences

reads of memory-mapped resources, 10-55

writes of memory-mapped resources, 10-55

operation

enabling Nexus3 module, 10-4

register access through JTAG/OnCE, 10-21

TCODEs supported, 10-5

ownership trace messaging (OTM), 10-22

error messages, 10-23

OTM flow, 10-23

programming model, 10-9

registers

client select control (CSC), 10-10

data trace control (DTC), 10-19

data trace end address 1, 2 (DTEA1, DTEA2), 10-20

data trace start address 1, 2 (DTSA1, DTSA2), 10-20

development control (DC1, DC2), 10-12

development status (DS), 10-14

port configuration (PCR), 10-10

read/write access address (RWA), 10-17

read/write access control/status (RWCS), 10-14

read/write access data (RWD), 10-16

watchpoint trigger (WT), 10-18

signal interface, 10-46

protocol, 10-48

terms and definitions, 10-1

watchpoint messaging, 10-40–10-41

error message format, 10-41

watchpoint timing diagrams, 10-41

O

OCMR (OnCE command register), 9-17

OCR (OnCE control register), 9-20

OnCE controller interface

signals, 9-13

external, 9-14

internal, 9-14

OnCE controller, see Debug facilities

Operands

conventions, 3-1

OSR (OnCE status register), 9-17

Overflow (OV), 2-10

Ownership trace messaging, see Nexus3 module

P

Page sizes, see Memory management unit (MMU)

PC (program counter register), 9-28

PCR (port configuration register), 10-10

Permission attributes (MMU), 5-6

execute access permission, 5-6

read access permission, 5-6

write access permission, 5-6

PID0 (process ID register 0), 2-59, 5-4

see also Memory management unit (MMU)

PIR (processor ID register), 2-8

Power management

control bits, 8-3

HID0[DOZE], 8-3

HID0[NAP], 8-3

HID0[SLEEP], 8-3

MSR[WE], 8-3

debug considerations, 8-3

power states, 8-1

active, 8-1

halted, 8-1

power-down (stopped), 8-1

signals, 8-2

software considerations, 8-3

PowerPC architecture

legacy support overview, 1-13

user instruction set (UISA), 1-xxvii

Process ID, 2-59

see also Memory management unit (MMU)

Process switching, 4-32

isync, 4-32

msync, 4-32

stwcx., 4-32

Program exception, 4-16

Program interrupt, 4-16

see also Interrupt handling

PVR (processor version register), 2-8

R

Registers

branch operations

condition register (CR), 2-11–2-14

CR setting for compare instructions, 2-13

CR setting for integer instructions, 2-12

CR setting for store conditional instructions, 2-13

count register (CTR), 2-14

link register (LR), 2-14

BTB

branch unit control and status (BUCSR), 2-51

cache control

L1 cache configuration (L1CFG0), 2-51

context switching (fast)

context control register (CTXCR), 2-60

debug, 2-33–2-47, 9-4

control state register (CTL), 9-25

CPU status and control scan chain (CPUSCR), 9-24

data address compare (DAC1–DAC4), 2-34

debug control and status registers (DBCR0–DBCR3),
2-34–2-46

debug counter register (DBCNT), 2-34

debug status register (DBSR), 2-46–2-47

instruction address compare (IAC1–IAC4), 2-33

instruction register (IR), 9-25

machine state register (MSR), 9-29

OnCE command register (OCMR), 9-17

OnCE control register (OCR), 9-20

OnCE status register (OSR), 9-17

program counter (PC), 9-28

write-back bus (WBBR), 9-28

decrementer auto-reload (DECAR), 2-32

decrementer register (DEC), 2-32

e200z6-specific implementation registers, 2-5

embedded single-precision floating-point (SPFP)

SPEFSCR, 2-15

general purpose registers 0–31 (GPRn), 2-10

hardware implementation-dependent (HID)

HID0, 2-48

HID1, 2-50

integer exception (XER), 2-10

interrupt

critical save/restore 0 (CSRR0), 2-19, 4-1

critical save/restore 1 (CSRR1), 2-20, 4-1

data exception address (DEAR), 2-20, 5-14

defined by Book E, 2-18

e200z6-specific

debug save/restore 0 (DSRR0), 2-25, 4-1

debug save/restore 1 (DSRR1), 2-25, 4-1

machine check syndrome (MCSR), 2-25

machine check syndrome register (MCSR), 4-7

exception syndrome register (ESR), 2-22, 4-4

interrupt vector offset (IVORn), 2-21, 4-8

interrupt vector prefix (IVPR), 2-20, 4-8

save/restore 0 (SRR0), 2-19, 4-1

save/restore 1 (SRR1), 2-19, 4-1

machine state register (MSR), 4-5

MMU, 2-52–2-59

- MMU assist (MAS0–MAS4, MAS6), 2-54–2-59, 5-14
 - MMU configuration register (MMUCFG), 2-52
 - MMU control and status (MMUCSR0), 2-52
 - process ID register 0 (PID0), 2-59
 - TLB configuration registers 0–1 (TLBnCFG), 2-53, 5-14
 - Nexus3
 - client select control (CSC), 10-10
 - data trace control (DTC), 10-19
 - data trace end address 1, 2 (DTEA1, DTEA2), 10-20
 - data trace start address 1, 2 (DTSA1, DTSA2), 10-20
 - development control (DC1, DC2), 10-12
 - development status (DS), 10-14
 - port configuration (PCR), 10-10
 - read/write access address (RWA), 10-17
 - read/write access control/status (RWCS), 10-14
 - read/write access data (RWD), 10-16
 - watchpoint trigger (WT), 10-18
 - processor control
 - machine state register (MSR), 2-6
 - processor ID register (PIR), 2-8
 - processor version register (PVR), 2-8
 - system version register (SVR), 2-9
 - reset settings, 2-64
 - signal processing engine (SPE) APU
 - accumulator, 2-18
 - SPEFSCR, 2-15
 - special-purpose (SPRs)
 - invalid SPR references, 2-60
 - software-use SPRs, USPRG0, 2-26
 - SPRG0–SPRG7, 2-26
 - summary, 2-61
 - synchronization requirements for SPRs, 2-60
 - unimplemented and read-only SPRs, 3-15
 - time base
 - TBL and TBU, 2-30
 - timer control register (TCR), 2-28
 - timer status register (TSR), 2-29
 - Reset
 - common vector, 1-15
 - register settings, 2-64
 - reset exception, 4-24
 - Returning from interrupt handler, 4-32
 - see also Interrupt handling
 - rfdi**, 4-32
 - rfdi**, 3-6, 4-32
 - rfdi**, 4-32
 - RWA (read/write access address register), 10-17
 - RWCS (read/write access control/status register), 10-14
 - RWD (read/write access data register), 10-16
- S**
- Scan chain, 9-24
- Signal processing engine (SPE) APU
 - registers
 - accumulator, 2-18
 - SPEFSCR, 2-15
 - Signals
 - core signal definitions, 7-4
 - debug
 - OnCE controller signals, 9-13
 - external, 9-14
 - internal, 9-14
 - Nexus3 interface, 10-46
 - protocol, 10-48
 - Sleep mode, see Power management
 - SPE APU unavailable interrupt, 4-25
 - see also Interrupt handling
 - SPE floating-point data interrupt, 4-26
 - see also Interrupt handling
 - SPE floating-point round interrupt, 4-26
 - see also Interrupt handling
 - SPEFSCR (SPE floating-point status and control register), 2-15
 - SPFP (embedded single-precision floating-point) APUs
 - floating-point instructions, 3-14–3-15
 - SPR model
 - invalid SPR references, 2-60
 - SPR summary, 2-61
 - synchronization requirements for SPRs, 2-60
 - unimplemented and read-only SPRs, 3-15
 - SPRG0–SPRG7 (software use SPRs), 2-26
 - SRR0 (save/restore register 0), 2-19, 4-1
 - SRR1 (save/restore register 1), 2-19, 4-1
 - stwcx.**, 3-5, 4-32
 - Suggested reading list, 1-xxviii
 - Summary overflow (SO), 2-10
 - SVR (system version register), 2-9
 - Synchronization
 - execution of **rfdi**, 4-32
 - memory synchronization, 3-4
 - memory synchronization instructions, 3-4
 - Synchronization requirements for SPRs, 2-60
 - System call interrupt, 4-17
 - see also Interrupt handling
 - System reset interrupt, 4-24
 - see also Interrupt handling
- T**
- TBL and TBU (time base registers), 2-30
 - TCR (timer control register), 2-28
 - Terminology conventions, 1-xxx
 - Time base, 2-27
 - registers
 - TBL and TBU, 2-30

timer control register (TCR), 2-28

timer status register (TSR), 2-29

TLB concept, see Memory management unit (MMU)

TLBnCFG (TLB configuration registers 0–1), 2-53, 5-14

TLBs (translation lookaside buffers)

entry field definitions, 5-9

interrupts, 5-2

IPROT (protection from invalidation) field, 5-8

maintenance features

programming model, 5-1

miss exception not taken, 5-8

registers, 5-2

True little-endian pages, 2-57

TSR (timer status register), 2-29

U

Unsupported instructions and instruction forms, 3-2

User instruction set architecture (UISA) description, 1-xxvii

USPRG0 (user SPR), 2-26

W

Watchdog timer

watchdog timer interrupt, 4-19

see also Interrupt handling

Watchpoint messaging, see Nexus3 module

Watchpoint signaling, see Debug facilities

WBBR (write-back bus register), 9-28

WIMGE bits

see Memory/cache access attributes (WIMGE bits), 5-9

WT (watchpoint trigger register), 10-18

X

XER (integer exception register), 2-10