

1N1585

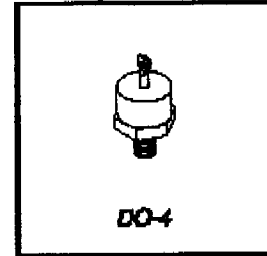
Standard Rectifier (trr more than 500ns)

Division Colorado Datasheet COE-6.PDF
 Mil-Spec
 Shipping (none) Qual Data (none)
 Config • Standard Polarity

Description

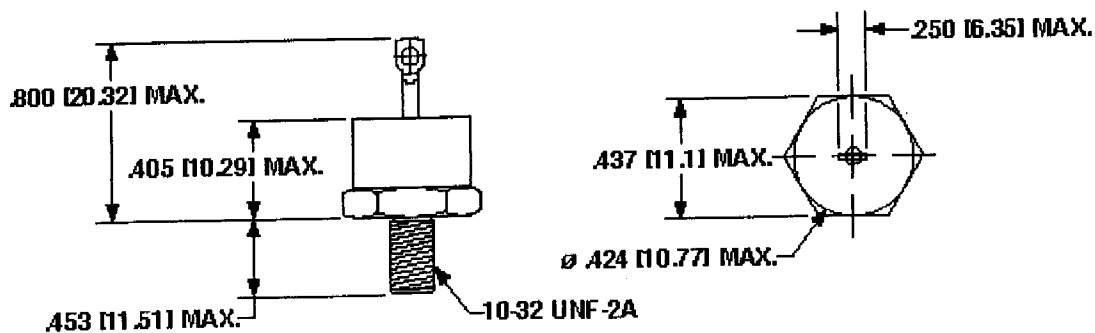
16A,200-1200V Standard Recovery Rectifier in DO-4 package

Package



Absolute Maximum Ratings	Symbol	Max	Unit
Output Current	I_o	3	A
Reverse Voltage	V_{rwm}	400	V
Max Forward Surge Current	I_{FSM}	200	A

Electrical Characteristics	Symbol	Min	Typ	Max	Unit
Forward Voltage ($I_F=30$ A, $T_A=25$ °C)	V_F			1.3	V
Reverse Leakage Current ($V_{rwm}=400$ V, $T_A=25$ °C)	I_R			10	μ A



NOTE: DIMENSIONS IN INCHES (MM)