

1N454

GOLD BONDED DIODES

RATINGS Limiting values in accordance with the Absolute Maximum System

Voltages

Continuous reverse voltage	V_R	max.	50 V
Repetitive peak reverse voltage	V_{RRM}	max.	58 V
Non-repetitive peak reverse voltage ($t < 1$ s)	V_{RSM}	max.	58 V

Currents

Forward current (d.c.)	I_F	max.	200 mA
Average rectified forward current (averaged over any 20 ms period)	$I_{F(AV)}$	max.	200 mA

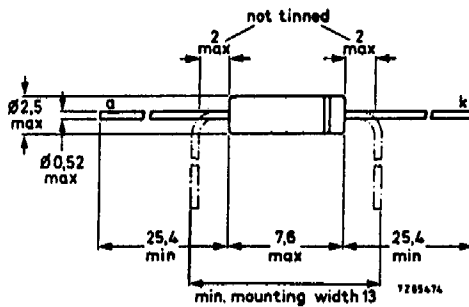
Temperatures

Storage temperature	T_{stg}	-65 to +85 °C
Junction temperature	T_j	max. 85 °C

MECHANICAL DATA

Dimensions in mm

DO-7



The coloured band indicates the cathode

CHARACTERISTICS

Forward voltage at $T_j = 25$ °C

$I_F = 200$ mA

$V_F < 1$

Reverse current at $T_j = 25$ °C

$V_R = 50$ V

$I_R < 50$ μ A

$V_R = 58$ V

$I_R < 1000$ μ A

