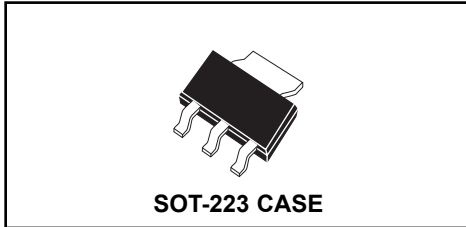


**CZS5064**  
**SILICON CONTROLLED RECTIFIER**



# Central<sup>TM</sup>

## Semiconductor Corp.

**DESCRIPTION:**

The CENTRAL SEMICONDUCTOR CZS5064 type is an epoxy molded PNP Silicon Controlled Rectifier manufactured in an epoxy molded surface mount package, designed for control systems and sensing circuit applications.

**MARKING CODE: FULL PART NUMBER**

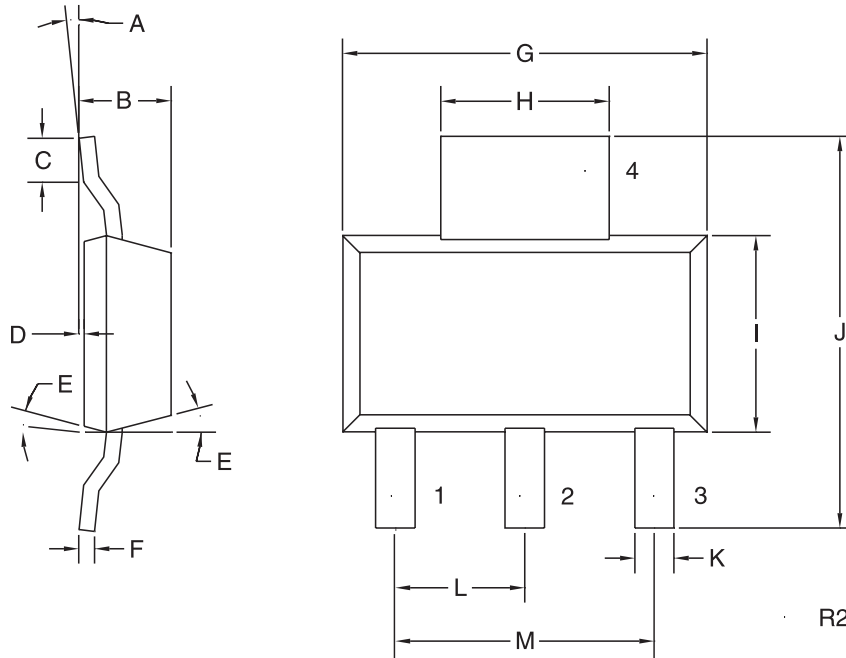
**MAXIMUM RATINGS:** ( $T_A=25^{\circ}\text{C}$  unless otherwise noted)

	<b>SYMBOL</b>		<b>UNITS</b>
Peak Repetitive Off-State Voltage	$V_{DRM}$	400	V
Peak Repetitive Reverse Voltage	$V_{RRM}$	400	V
RMS On-State Current	$I_{T(RMS)}$	0.8	A
Average On-State Current ( $T_C=67^{\circ}\text{C}$ )	$I_{T(AV)}$	0.51	A
Operating Junction Temperature	$T_J$	-40 to +125	$^{\circ}\text{C}$
Storage Temperature	$T_{stg}$	-40 to +150	$^{\circ}\text{C}$
Thermal Resistance	$\theta_{JA}$	150	$^{\circ}\text{C/W}$
Thermal Resistance	$\theta_{JC}$	25	$^{\circ}\text{C/W}$

**ELECTRICAL CHARACTERISTICS:** ( $T_A=25^{\circ}\text{C}$  unless otherwise noted)

<b>SYMBOL</b>	<b>TEST CONDITIONS</b>	<b>MIN</b>	<b>TYP</b>	<b>MAX</b>	<b>UNITS</b>
$I_{DRM}$	$V_D=400\text{V}, R_{GK}=1.0\text{K}\Omega, T_C=125^{\circ}\text{C}$			50	$\mu\text{A}$
$I_{RRM}$	$V_D=400\text{V}, R_{GK}=1.0\text{K}\Omega, T_C=125^{\circ}\text{C}$			50	$\mu\text{A}$
$V_T$	$I_T=1.2\text{A}$			1.7	V
$I_{GT}$	$V_D=7.0\text{V}, R_L=100\Omega, R_{GK}=1.0\text{K}\Omega$			200	$\mu\text{A}$
$V_{GT}$	$V_D=7.0\text{V}, R_L=100\Omega, R_{GK}=1.0\text{K}\Omega$			0.8	V
$V_{GD}$	$V_D=400\text{V}, R_L=100\Omega, T_C=125^{\circ}\text{C}$	0.1			V
$I_H$	$V_D=7.0, R_{GK}=1.0\text{K}\Omega$			5.0	mA
$t_{ON}$	$V_D=400\text{V}, I_{GT}=1.0\text{mA}, I_F=1.0\text{A}, R_{GK}=1\text{K}\Omega, di/dt=6.0\text{A}/\mu\text{s}$		2.8		$\mu\text{s}$

SOT-223 CASE - MECHANICAL OUTLINE



**LEAD CODE:**

- 1) CATHODE
- 2) ANODE
- 3) GATE
- 4) ANODE

**MARKING CODE:**

**FULL PART NUMBER**

SYMBOL	INCHES		MILLIMETERS	
	MIN	MAX	MIN	MAX
A	0°	7°	0°	7°
B	0.063	0.067	1.60	1.70
C	0.022		0.55	
D	0.001	0.004	0.03	0.10
E	15°		15°	
F	0.009	0.013	0.23	0.33
G	0.248	0.264	6.30	6.71
H	0.114	0.122	2.90	3.10
I	0.130	0.146	3.30	3.71
J	0.264	0.287	6.71	7.29
K	0.024	0.031	0.61	0.79
L	0.091		2.31	
M	0.181		4.60	

SOT-223 (REV: R2)

R2 (26-September 2002)