

V_{RSM}	$I_D (T_h = 80\text{ °C})$
V_{RRM} V	140 A
1200	SKD 145/12
1600	SKD 145/16
1800	SKD 145/18

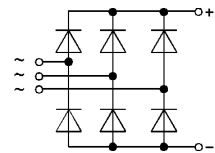
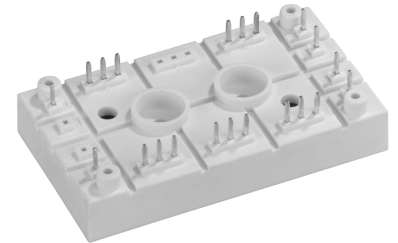
SEMIPONT™ 5

Bridge Rectifiers

SKD 145

Preliminary Data

Symbol	Conditions	SKD 145	Units
I_D	$T_h = 80\text{ °C}$	140	A
I_{FSM}	$T_{vj} = 25\text{ °C}; 10\text{ ms}$ $T_{vj} = 125\text{ °C}; 10\text{ ms}$	– 1 700	A A
i^2t	$T_{vj} = 25\text{ °C}; 8,3 \dots 10\text{ ms}$ $T_{vj} = 125\text{ °C}; 8,3 \dots 10\text{ ms}$	– 14 450	A^2s A^2s
V_F	$T_{vj} = 125\text{ °C}; I_F = 150\text{ A}; \text{max}$	1,3	V
$V_{(TO)}$	$T_{vj} = 125\text{ °C}$	0,8	V
r_T	$T_{vj} = 125\text{ °C}$	4	$m\Omega$
I_{RD}	$T_{vj} = 25\text{ °C}; V_{RD} = V_{RRM}$	–	mA
R_{thjh}	per diode per module	0,6 –	$^{\circ}C/W$ $^{\circ}C/W$
T_{vj}		– 40 ... + 125	$^{\circ}C$
T_{stg}		– 40 ... + 125	$^{\circ}C$
T_{solder}	terminals, 10 s	260	$^{\circ}C$
V_{isol}	a. c. 50 Hz; r.m.s; 1 s / 1 min	3000 / 2500	V~
$M_{1,2}$	case to heatsink SI units	2,5	Nm
w		75	g
Case		G 57	



Features

- Compact design
- SKiiP technology: thermal pressure contact, no base plate and no hard mould
- Two screws mounting
- Heat transfer and isolation through direct copper board (low R_{th})
- Low resistance in steady-state and high reliability
- High surge currents
- Up to 1800 V
- UL recognized, file no. E 63 532

Typical Applications

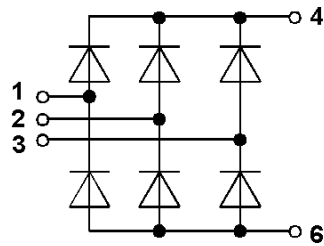
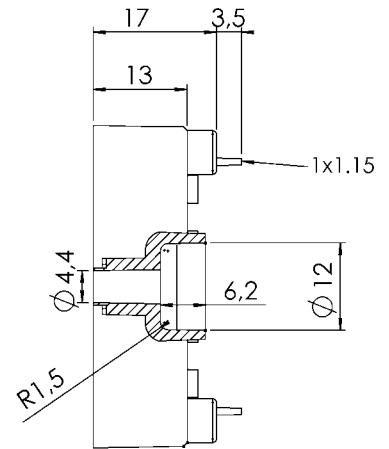
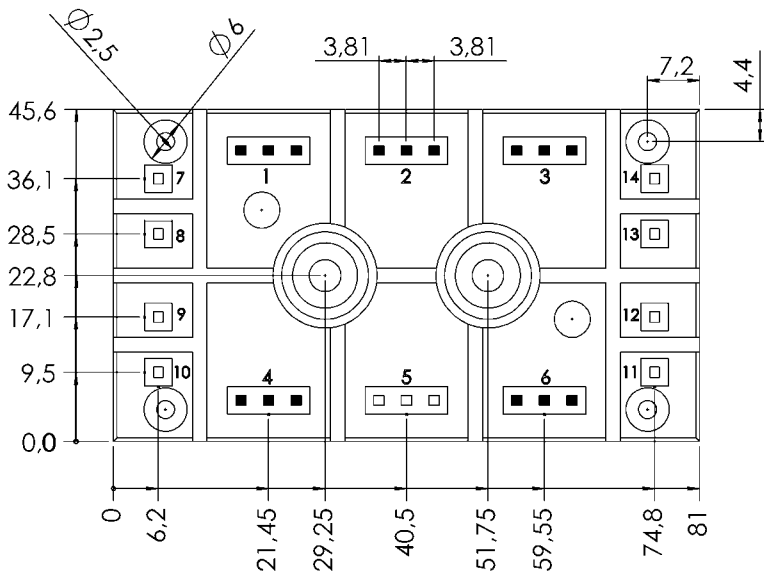
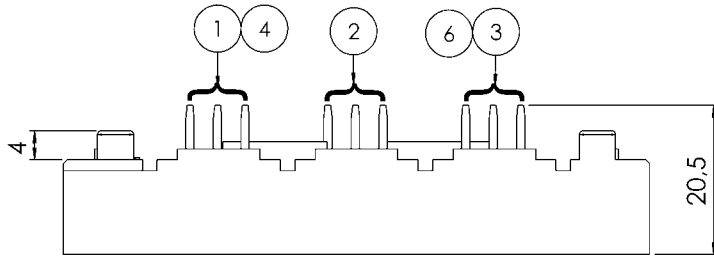
- Three phase rectifiers for power supplies
- Input rectifiers for variable frequency drives
- Rectifiers for DC motor field supplies
- Battery charger rectifiers

SKD 145

SKD 145

Case G 57

SEMIPONT™ 5



Dimensions in mm

This technical information specifies semiconductor devices but promises no characteristics. No warranty or guarantee expressed or implied is made regarding delivery, performance or suitability.