



APPLICATION DATA

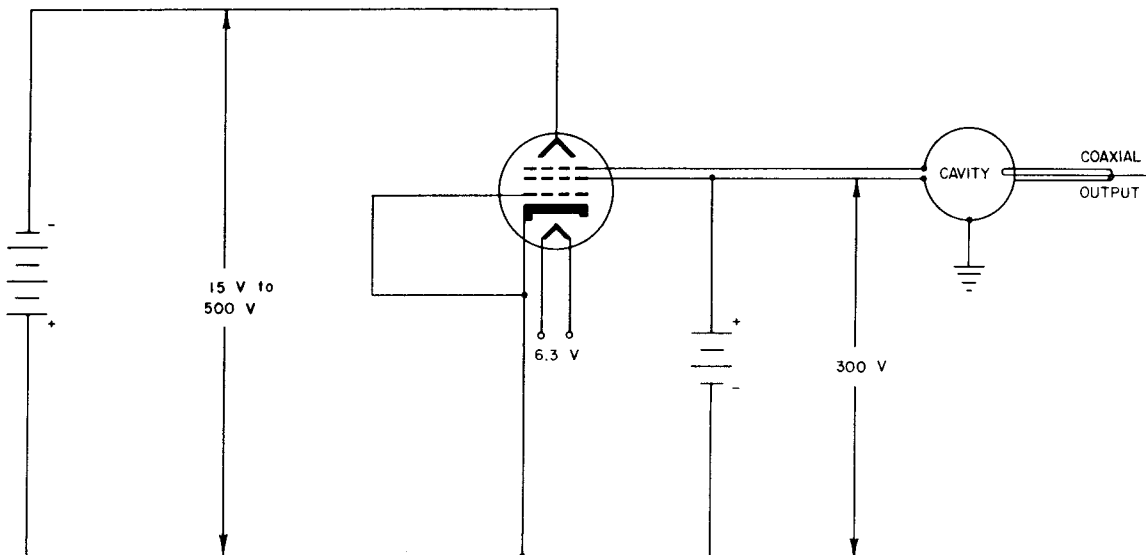
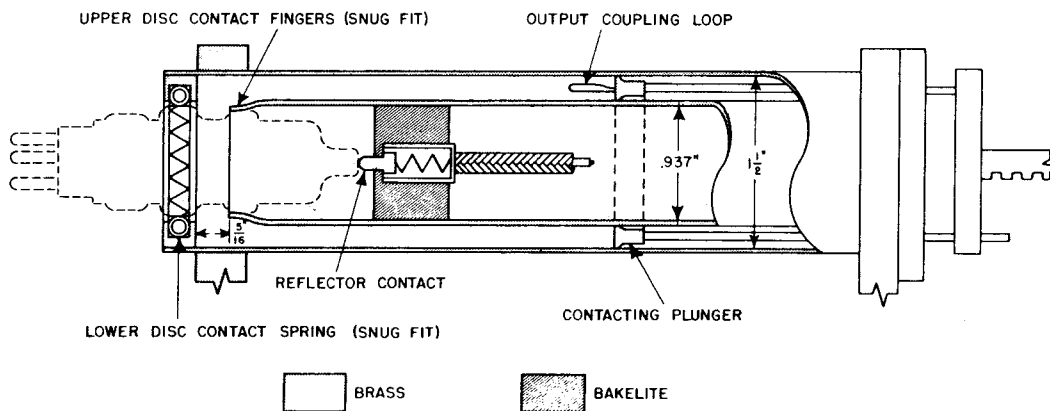


FIG. 1 — CW OSCILLATOR CIRCUIT EMPLOYING THE 6BL6 REFLEX KLYSTRON

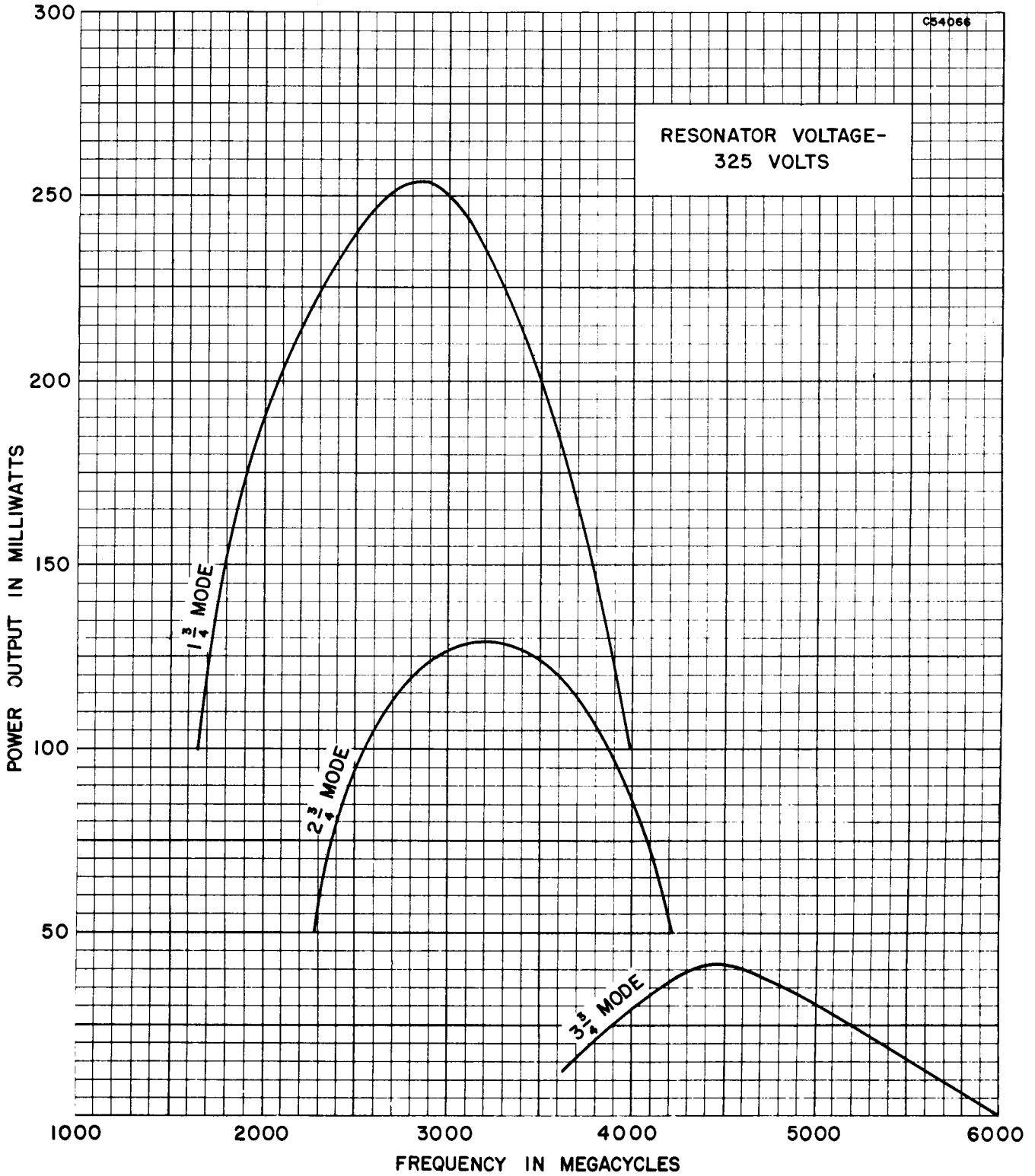


Recess in Contact Plunger . . . . .	$1/2$ "	Loop Size for 3000-5000 mc . . . . .	$9/32$ "
Loop Size for 800-3500 mc . . . . .	$9/16$ "	Loop Width for Both Ranges . . . . .	$.175$ "

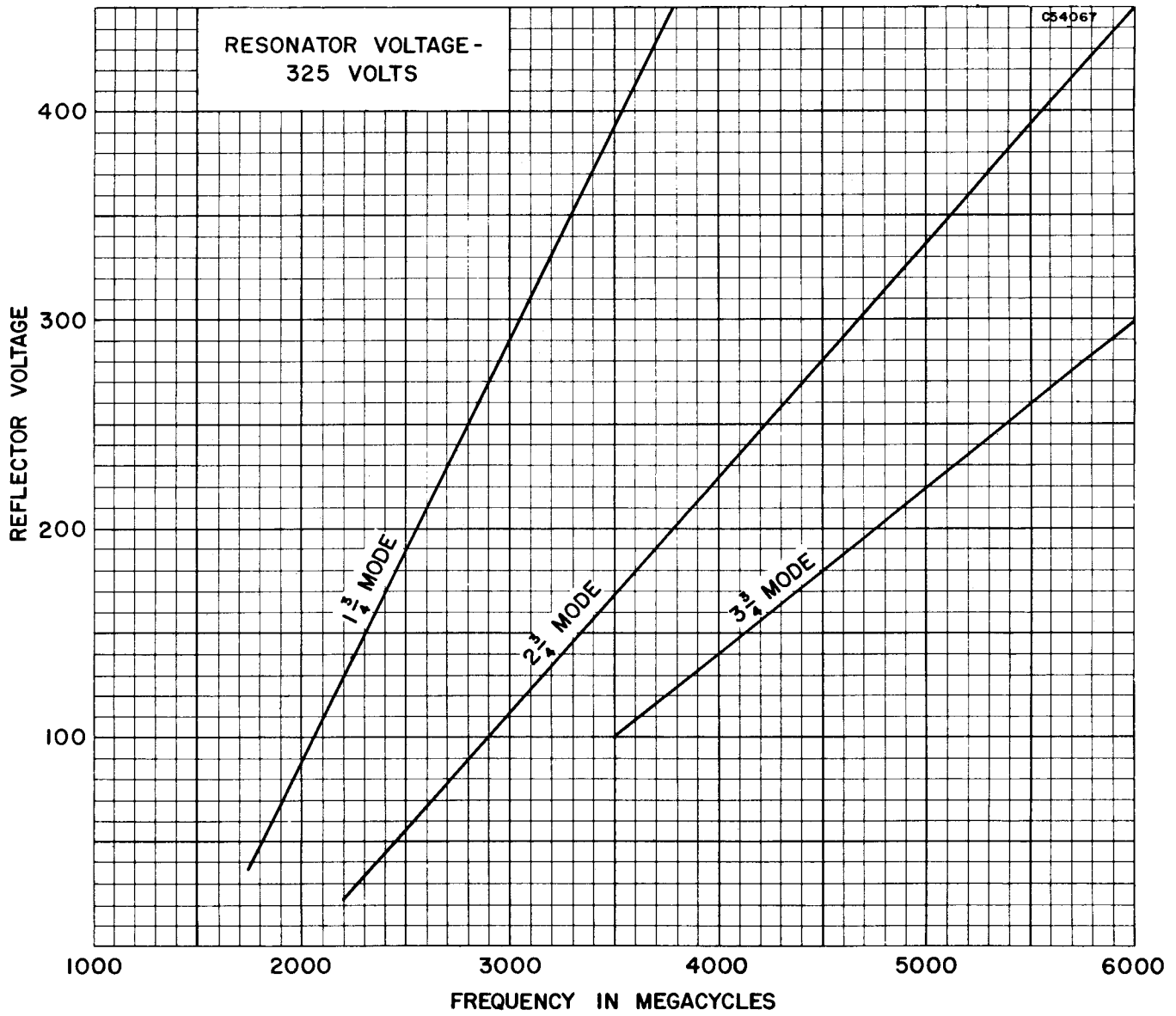
The length is determined by the frequency of operation and the range of plunger motion is set by the frequency band to be covered.

FIG. 2 — DIAGRAM OF A TYPICAL COAXIAL CAVITY FOR USE WITH THE 6BL6 SHOWING ESSENTIAL DIMENSIONS

AVERAGE CHARACTERISTICS



AVERAGE CHARACTERISTICS



OUTLINE DRAWING

