



Triode Type BR128

VHF POWER AMPLIFIER AND OSCILLATOR

General. A forced-air-cooled transmitting triode fitted with a tungsten filament. Maximum operating frequency at full ratings is 100 Mc/s.

Cooling. The anode requires forced air cooling. The air cooling and air flow characteristics given show the air inlet temperature °C/ anode + grid loss; and air flow/air pressure.

The external grid and filament seals also require air cooling. The volume of air necessary is approximately 20 cu. ft. per min. and should be directed on to the seals from above, through a 1-in. nozzle.

The temperature of the anode must not exceed 180°C and that of the grid and filament seals must not exceed 140°C.

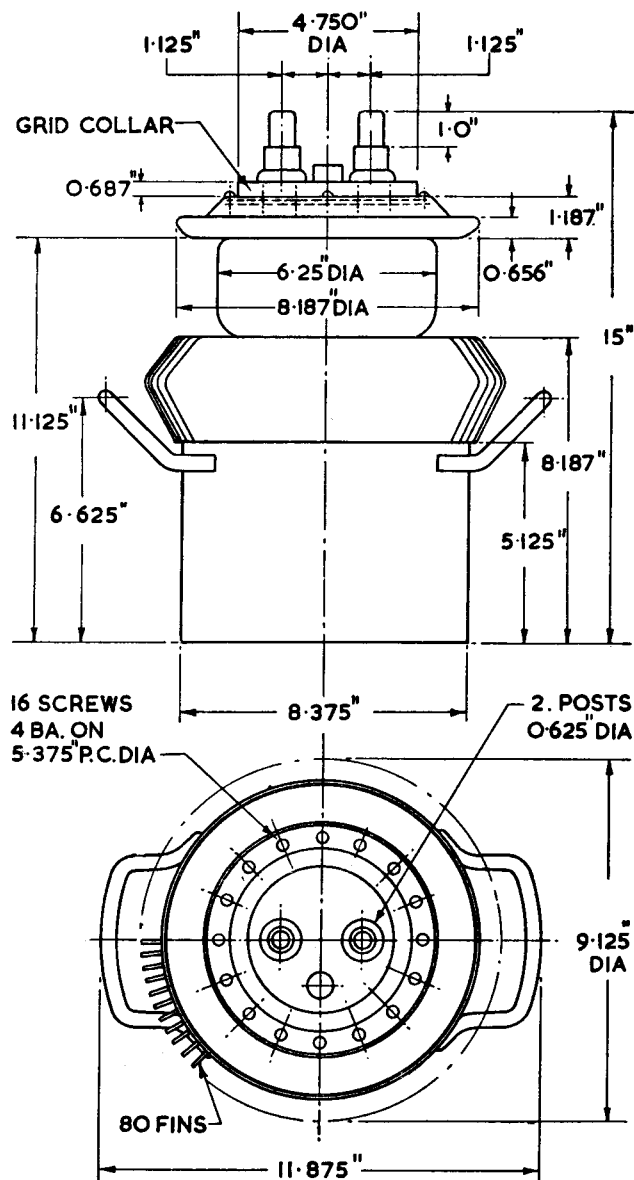
All air cooling supplies must be started before the application of any supply voltage and should be continued after the removal of all supply voltages.

Filament Starting. The cold filament resistance is approximately 0.0034 Ω. The filament current must not exceed 450A at any time during the switching-on period.

APPROXIMATE DATA

V_f	12.5 V	μ	} taken at	V_a 10 kV	24
I_f	300 A	g_m		I_a 2 A	22mA/V
V_a (max)	12 kV	C_{gl-k}		44 pF	
P_a (max)	12 kW	C_{gl-a}		28 pF	
P_{gl} (max)	2 kW	C_{a-k}		1.5 pF	

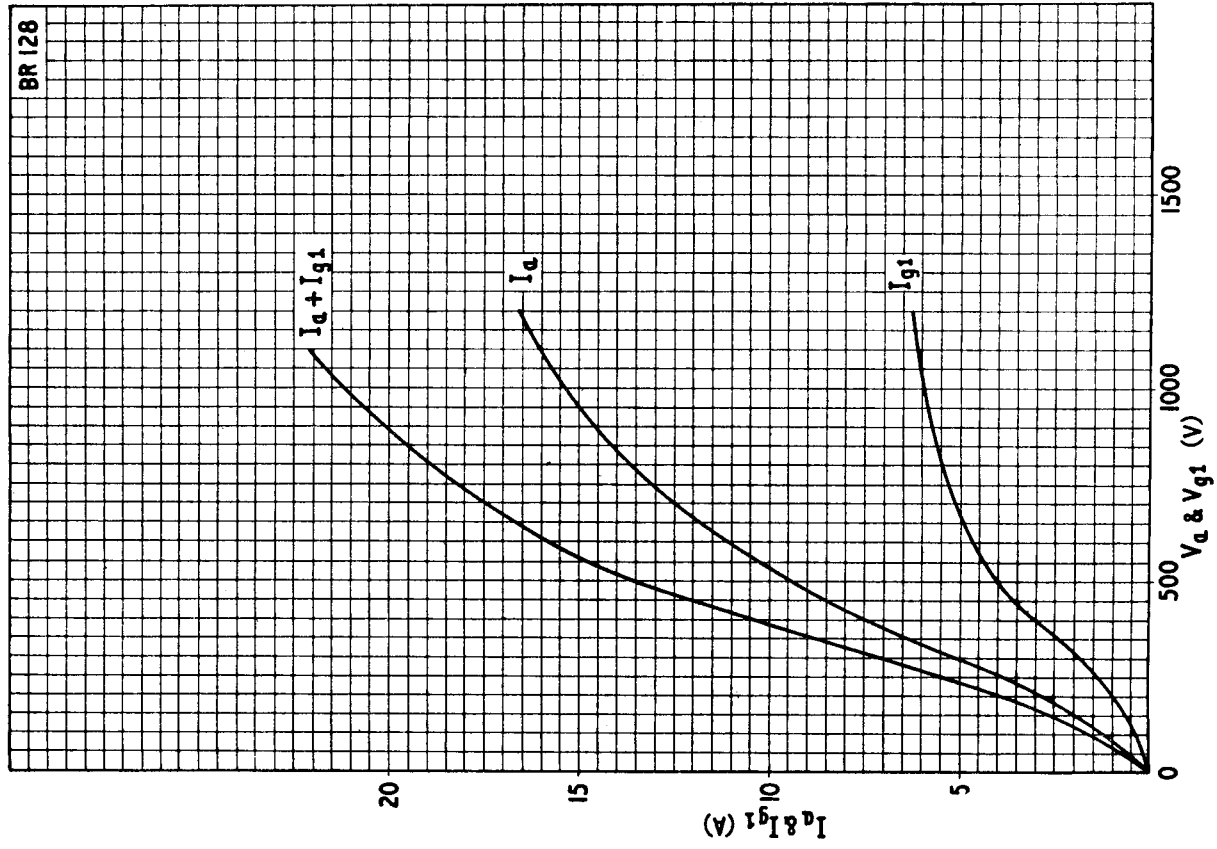
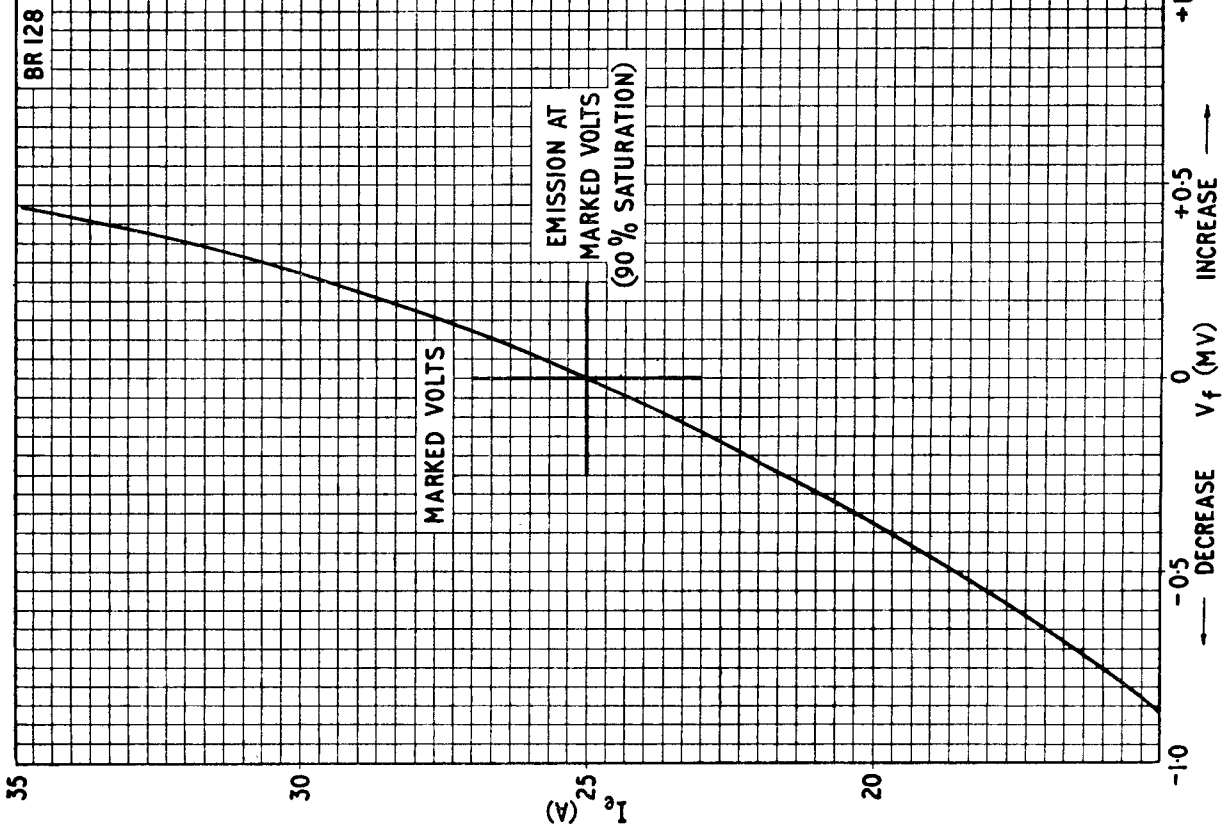
Marked Voltage. Each valve is marked with V_f to give 25 A peak emission at 90% saturation.



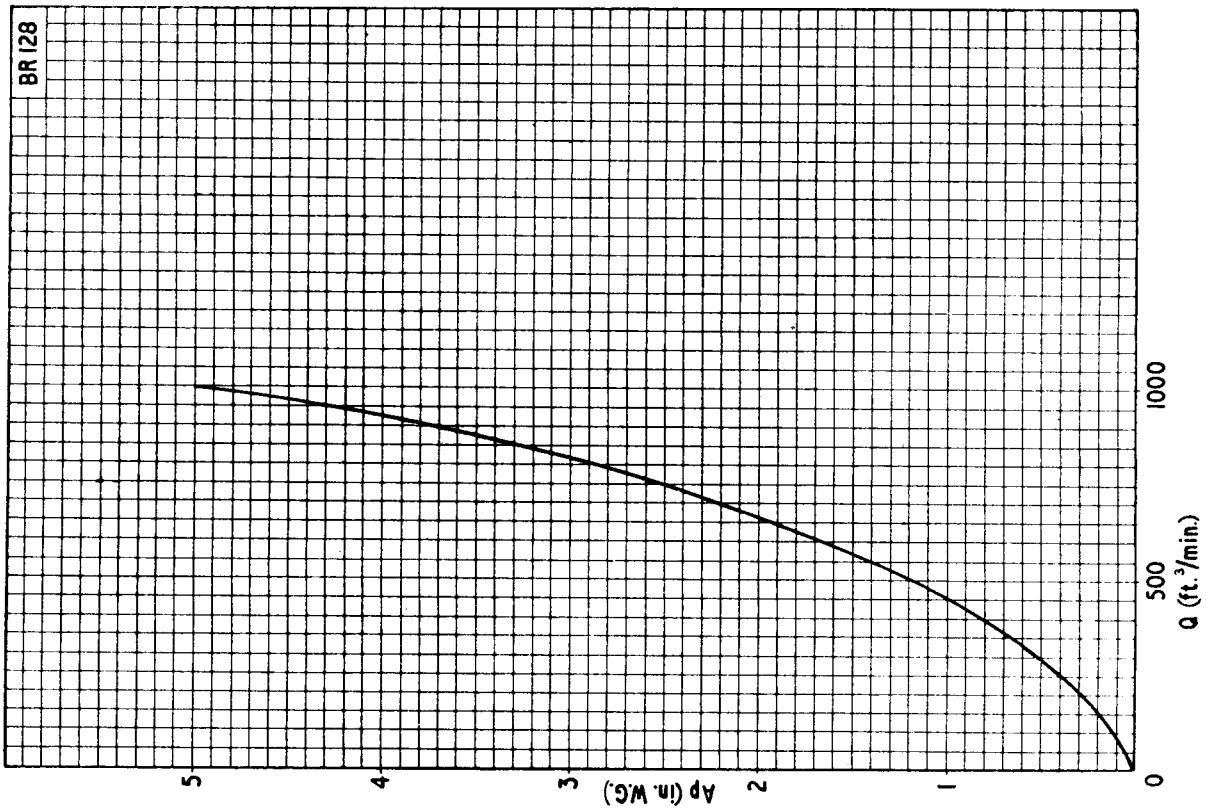
DIMENSIONS MAXIMUM WEIGHT 46lb (21kg)

MARCONI'S WIRELESS TELEGRAPH COMPANY LIMITED

Head Office: Marconi House, Chelmsford, England. Telephone: Chelmsford 3221. Telegraphic Address: Expanse, Chelmsford



BR 128



BR 128

