

# VISITRON

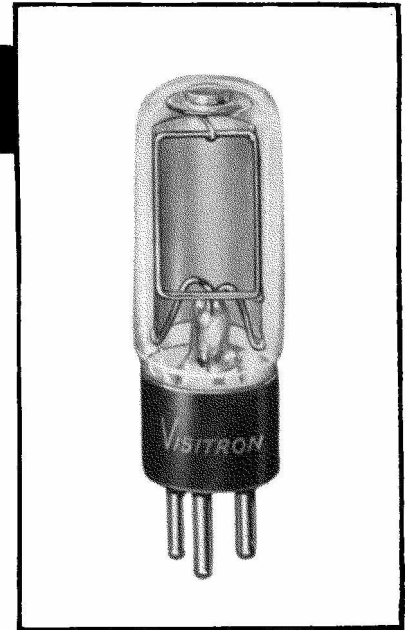
## R51 SERIES

The rectangular anode of this tube offers no interference to the smallest of light sources, thus permitting a shadow-free cathode area. This particular Visitron is commonly used in portable 16 MM sound-on-film production equipment.

The R51 Series is supplied with two types of cathode surfaces, "A" type sensitive to infra-red and "B" type sensitive to blue.

The R51 blue sensitive Visitron phototubes have increased sensitivity to light sources predominating in blue radiation and a negligible sensitivity to infra-red radiation. This high sensitivity to blue radiation makes this tube particularly valuable for use in sound reproduction involving a dye-image sound track in conjunction with an incandescent light source. The R51B blue sensitive series are available on special order with non-hygroscopic ceramic bases.

The R51 Series is also available on special order with Corex D bulb for use in the ultra-violet region of the spectrum. These ultra-violet tubes are identified by the letter "C" (Example R51CV-2). Prices will be submitted upon application.



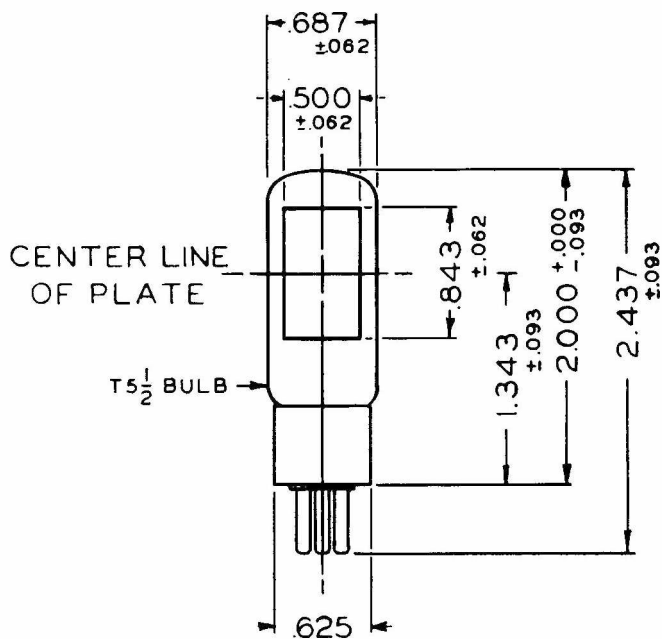
TYPE R51

### GENERAL CHARACTERISTICS

|                             | R51A          | R51AV         | R51B          | R51BV         |
|-----------------------------|---------------|---------------|---------------|---------------|
| Cathode Surface             | S1            | S1            | S4            | S4            |
| Cathode Size                | .843" x .500" | .843" x .500" | .843" x .500" | .843" x .500" |
| Capacitance (Anode-Cathode) | 2.5 MMF.      | 2.0 MMF.      | 2.5 MMF.      | 2.0 MMF.      |
| Leakage Resistance (Min)    | 1000 Meg.     | 1000 Meg.     | 1000 Meg.     | 1000 Meg.     |

### MAXIMUM RATINGS

|                            | R51A             | R51AV           | R51B             | R51BV           |
|----------------------------|------------------|-----------------|------------------|-----------------|
| Anode Voltage, Peak        | 90V              | 500V            | 90V              | 500V            |
| Luminous Sensitivity       | 250 $\mu$ A/L DC | 37 $\mu$ A/L DC | 300 $\mu$ A/L DC | 40 $\mu$ A/L DC |
| Luminous Sensitivity (25v) | 35 $\mu$ A/L DC  | 35 $\mu$ A/L DC | 40 $\mu$ A/L DC  | 37 $\mu$ A/L DC |
| Gas Amplification          | 12               | - - -           | 10               | - - -           |
| Temperature, ambient       | 100°C            | 100°C           | 100°C            | 100°C           |



DIRECTION OF LIGHT

