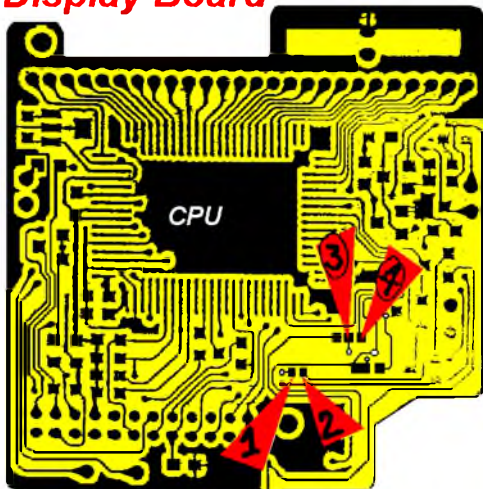


Display Board





PRESIDENT

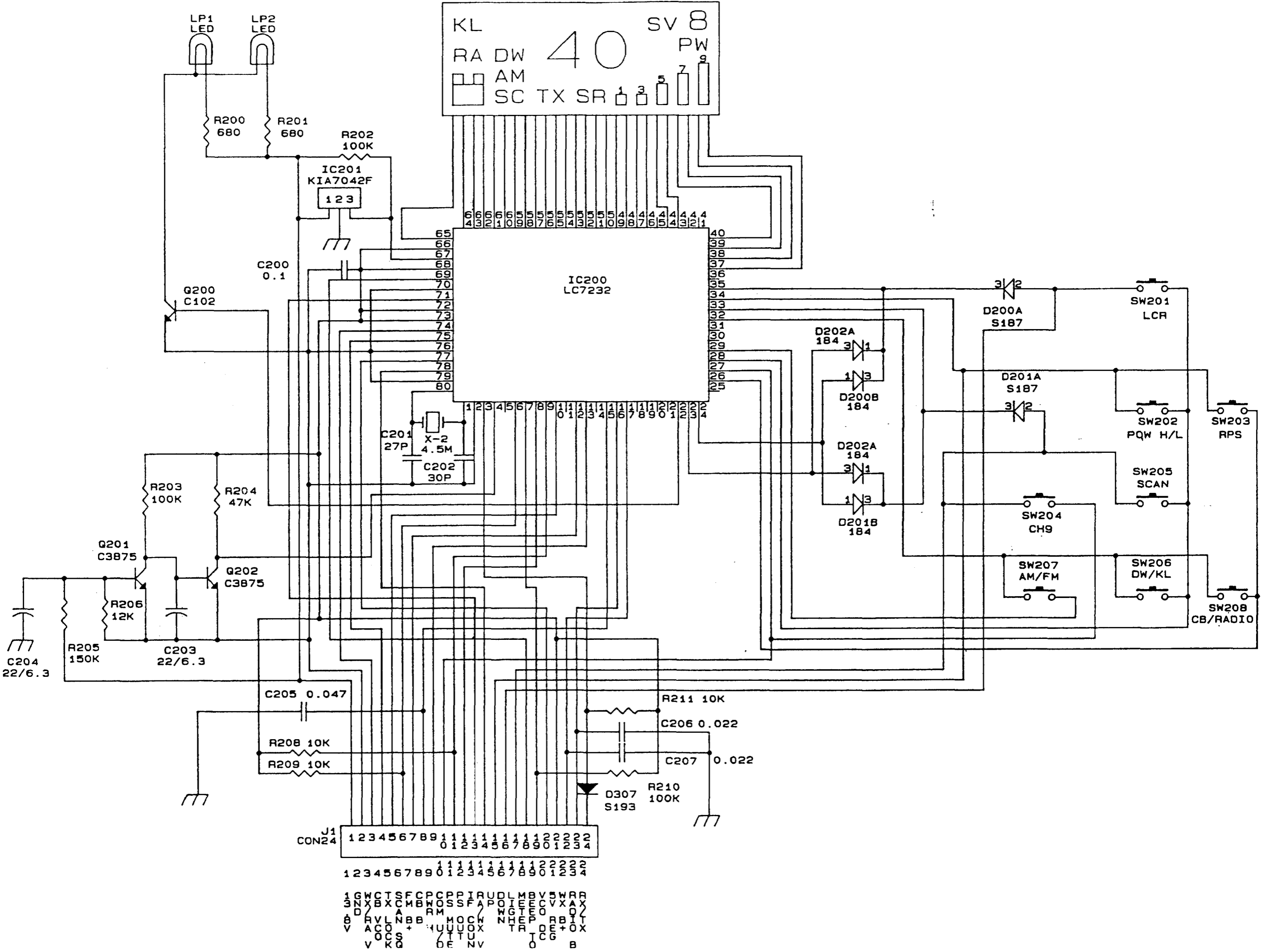
RPS CH19 GLENN

40
40

CB TRANSCEIVER/FM RADIO

CB/RA MODE SCAN PW/ME CH9

DW/KL

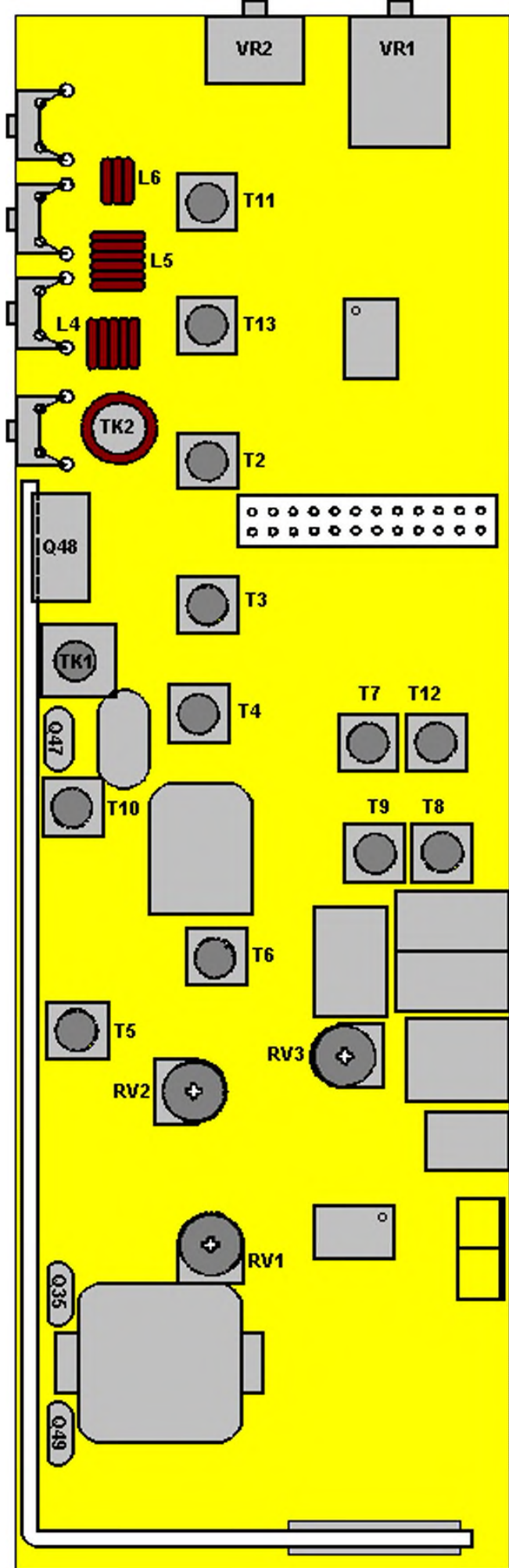


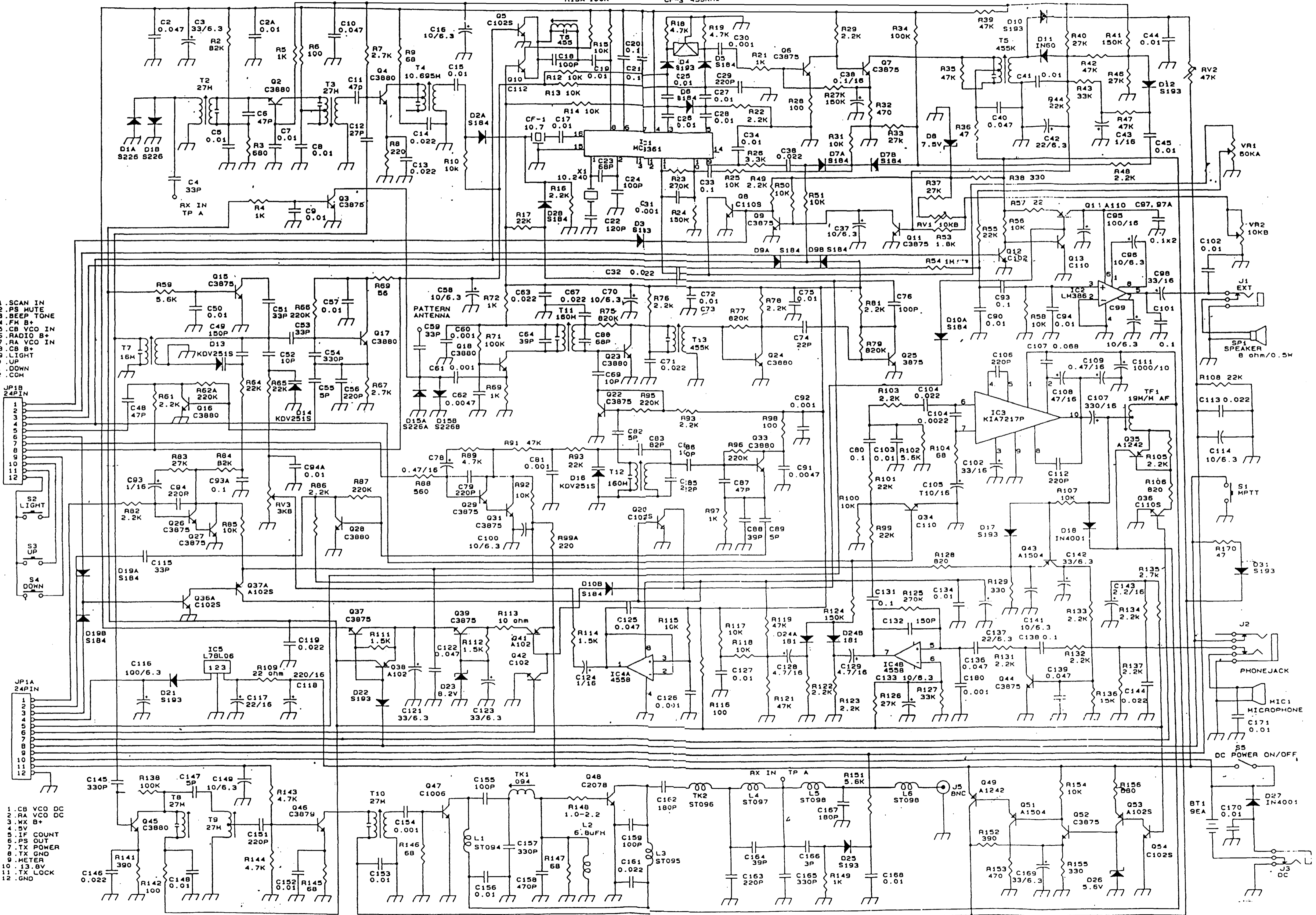
KL SV 8
 RA DW 40 PW
 AM
 SC TX SR 1 3 5 7 8

J1
 CON24 1 2 3 4 5 6 7 8 9 1 1 1 1 1 1 1 1 1 1 1 2 2 2 2 2
 0 1 2 3 4 5 6 7 8 9 0 1 2 3 4

1 2 3 4 5 6 7 8 9 0 1 1 1 1 1 1 1 1 1 1 2 2 2 2 2
 0 1 2 3 4 5 6 7 8 9 0 1 2 3 4

1 GWCTSFCCPPPIRU POLMBVSWRR
 3 NZBXCMBSRMWSSFA PDLNGTEFCVXAX
 8 /RVLNB B MOCX NZHTPEORBIT
 V ACO + HUYUCOX THTR POREBTOX
 V KCG DE NV O CG +OX
 B





- 1. SCAN IN
- 2. PS MUTE
- 3. BEEP TONE
- 4. FM B+
- 5. CB VCO IN
- 6. RADIO B+
- 7. RA VCO IN
- 8. CB B+
- 9. LIGHT
- 10. UP
- 11. DOWN
- 12. COM

- 1. CB VCO DC
- 2. PS VCO DC
- 3. WX B+
- 4. 5V
- 5. IF COUNT
- 6. PS OUT
- 7. TX POWER
- 8. TX GND
- 9. METER
- 10. 13.8V
- 11. TX LOCK
- 12. GND

