

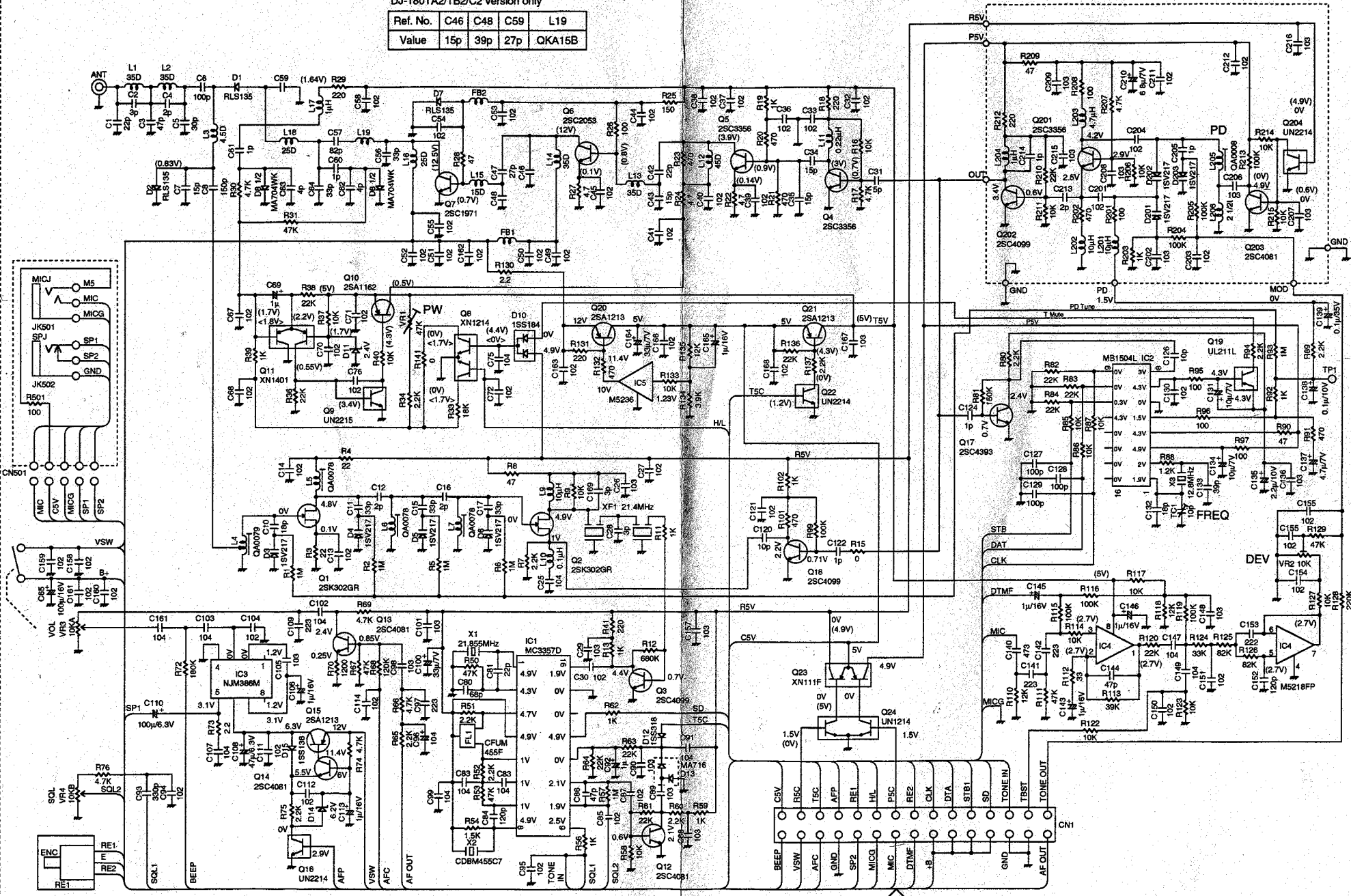
SCHEMATIC DIAGRAM DJ-180

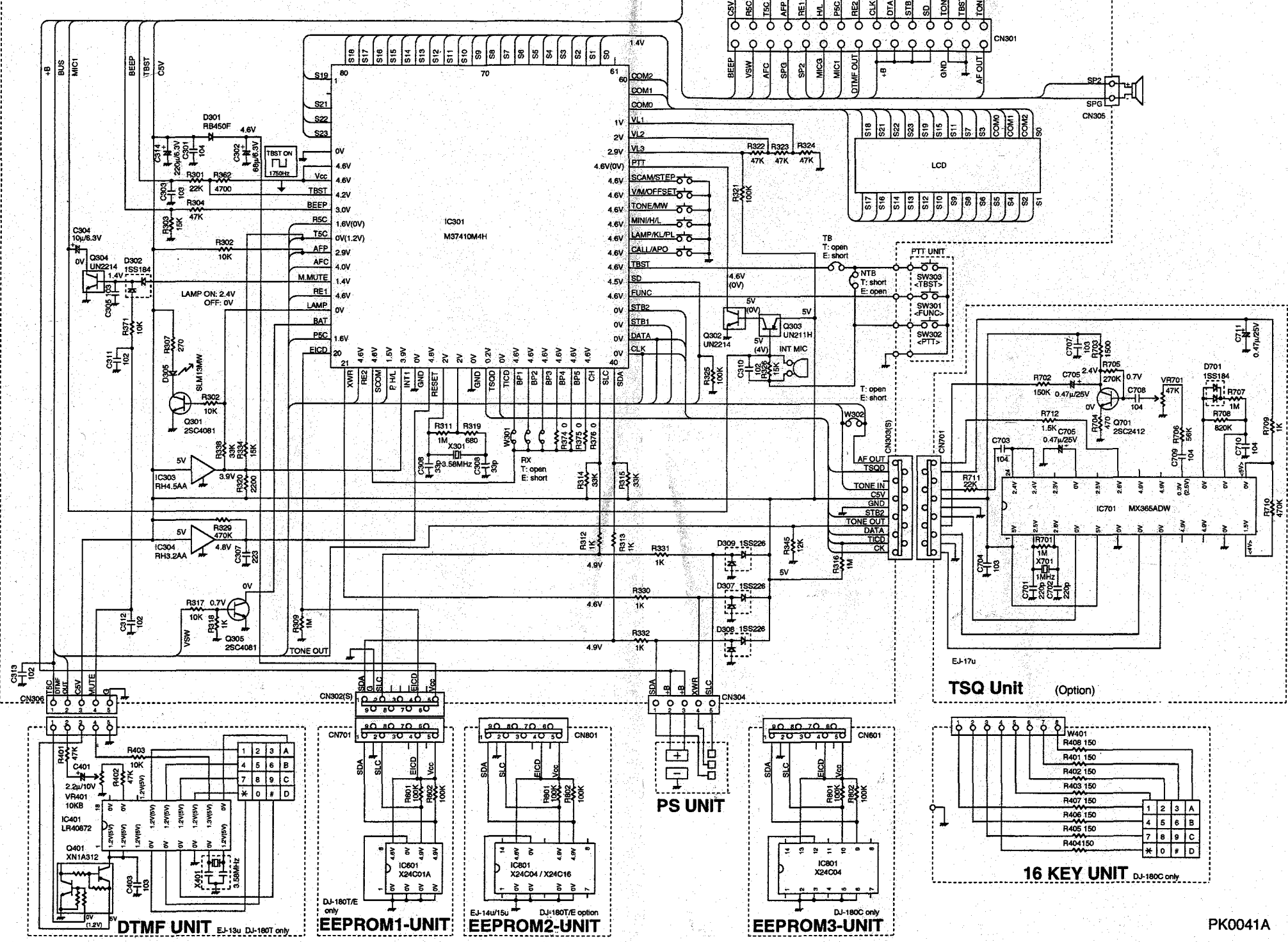
Specifications are subject to change without notice or obligation.

RF UNIT

DJ-180TA2/TB2/C2 version only

Ref. No.	C46	C48	C59	L19
Value	15p	39p	27p	QKA15B





DTMF UNIT EJ-13u DJ-180T only

EEPROM1-UNIT DJ-180T/E only

EEPROM2-UNIT EJ-14u/15u DJ-180T/E option

EEPROM3-UNIT DJ-180C only

TSQ Unit (Option)

16 KEY UNIT DJ-180C only