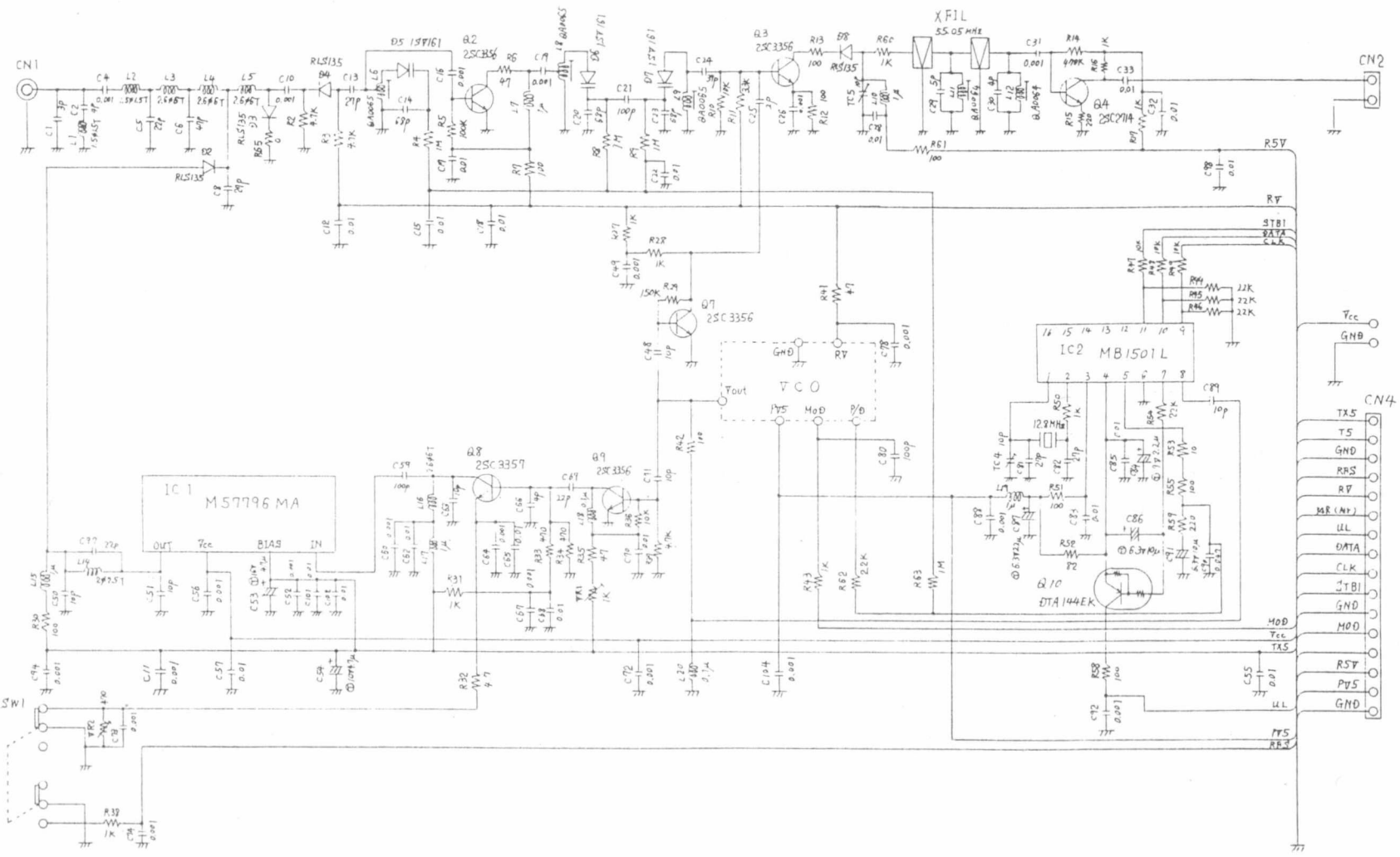
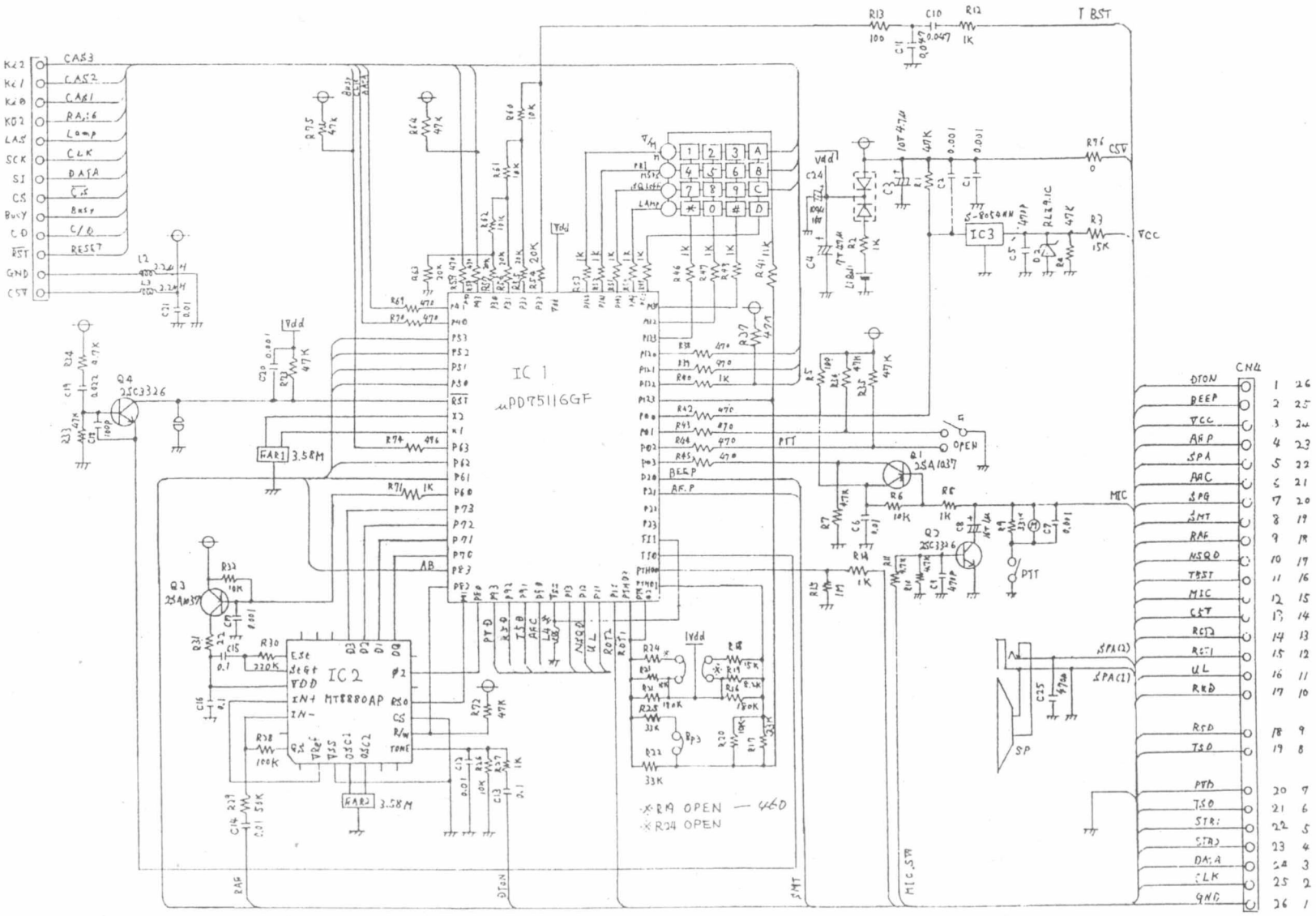


SCHEMATIC DIAGRAM OF RF UNIT (DJ-160T/E)

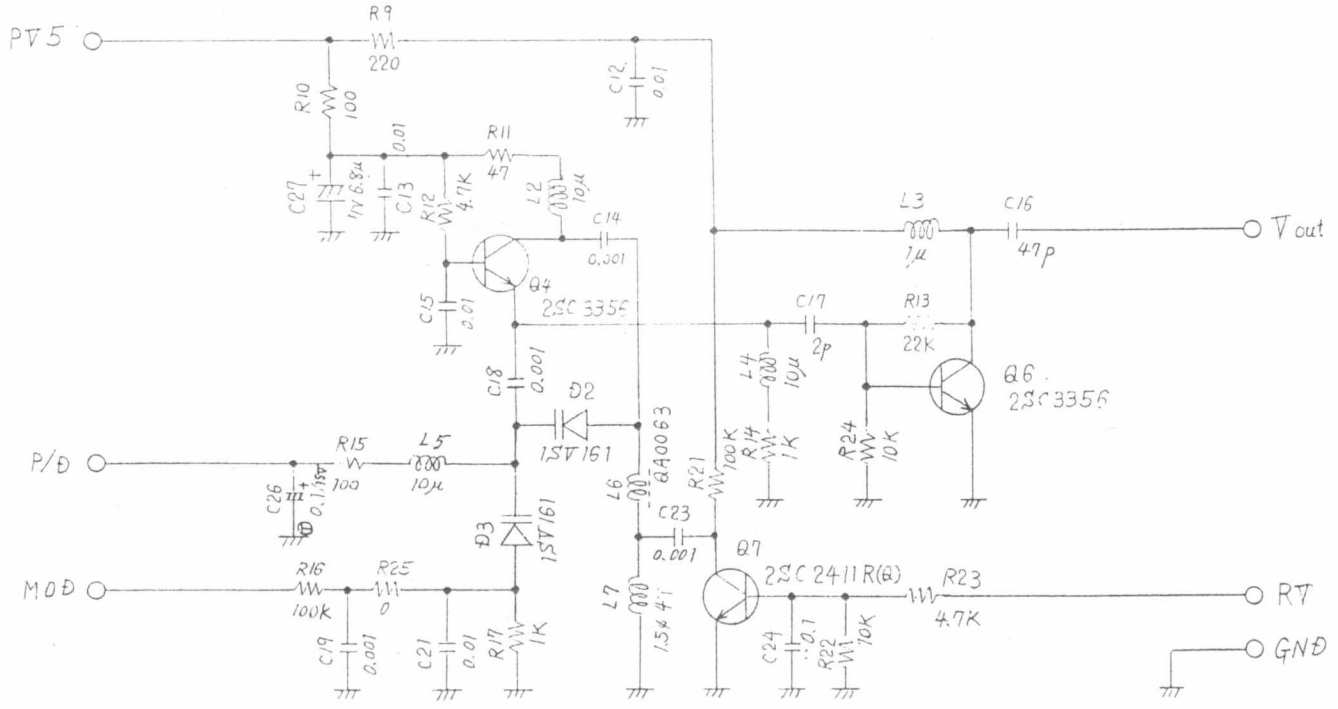


SCHEMATIC DIAGRAM OF CPU UNIT (DJ-160T/E) (DJ-460T/E)

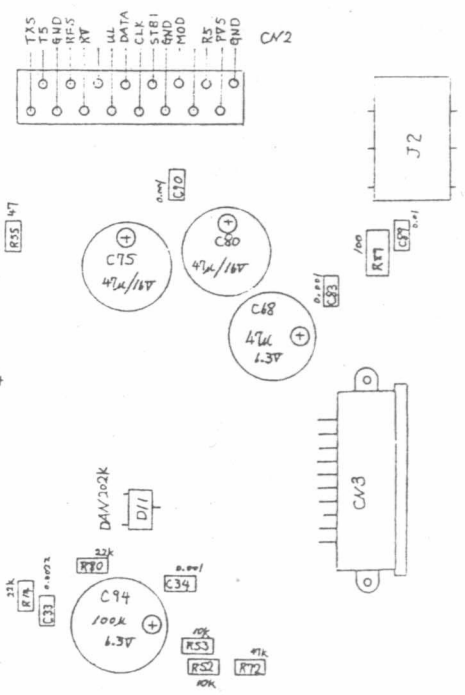
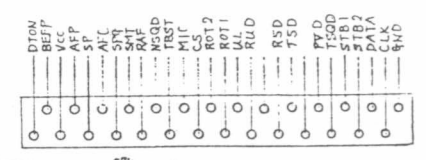
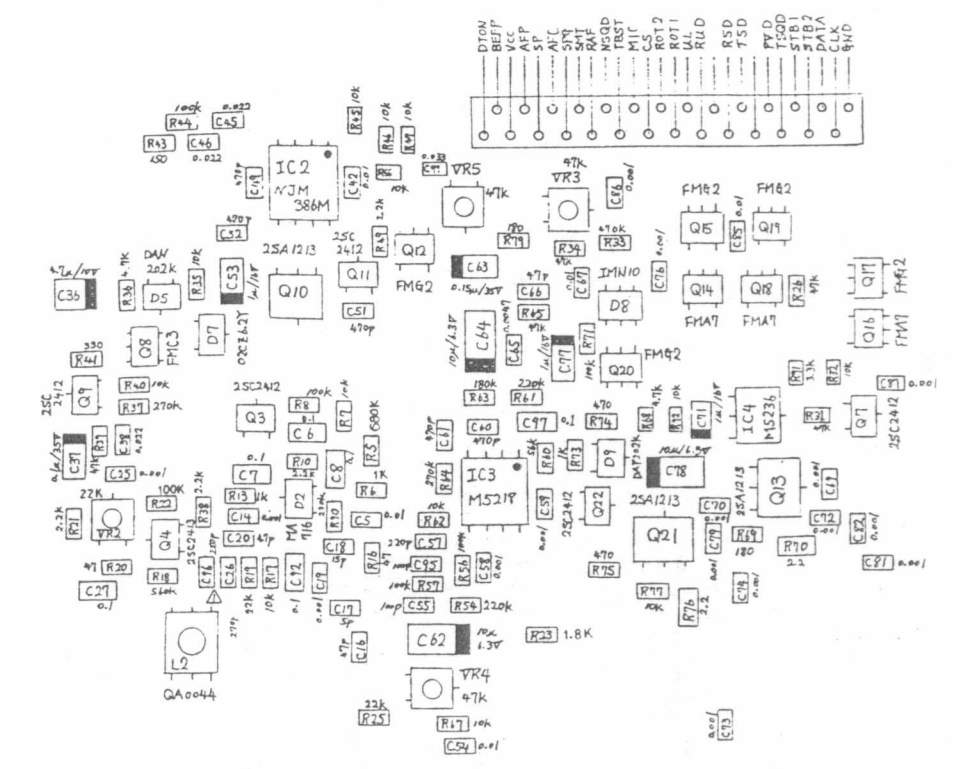


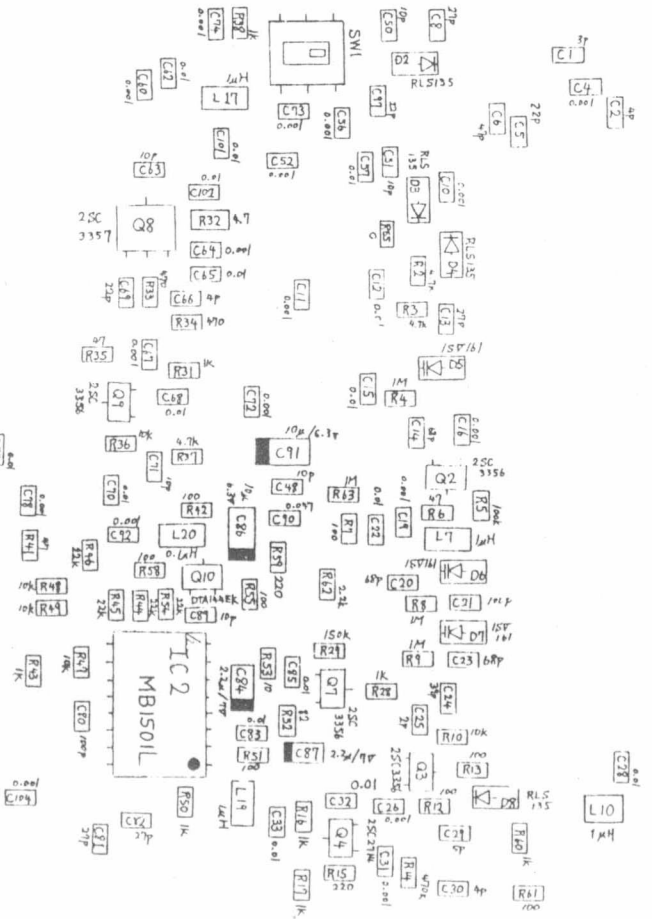
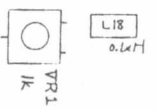
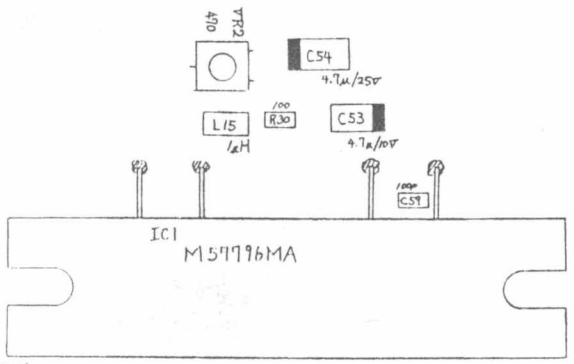
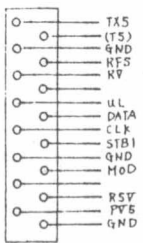
Connector	Pin	Signal Name
CN1	1	26
CN1	2	25
CN1	3	24
CN1	4	23
CN1	5	22
CN1	6	21
CN1	7	20
CN1	8	19
CN1	9	18
CN1	10	17
CN1	11	16
CN1	12	15
CN1	13	14
CN1	14	13
CN1	15	12
CN1	16	11
CN1	17	10
CN1	18	9
CN1	19	8
CN1	20	7
CN1	21	6
CN1	22	5
CN1	23	4
CN1	24	3
CN1	25	2
CN1	26	1

*R3M OPEN - 460
*R24 OPEN

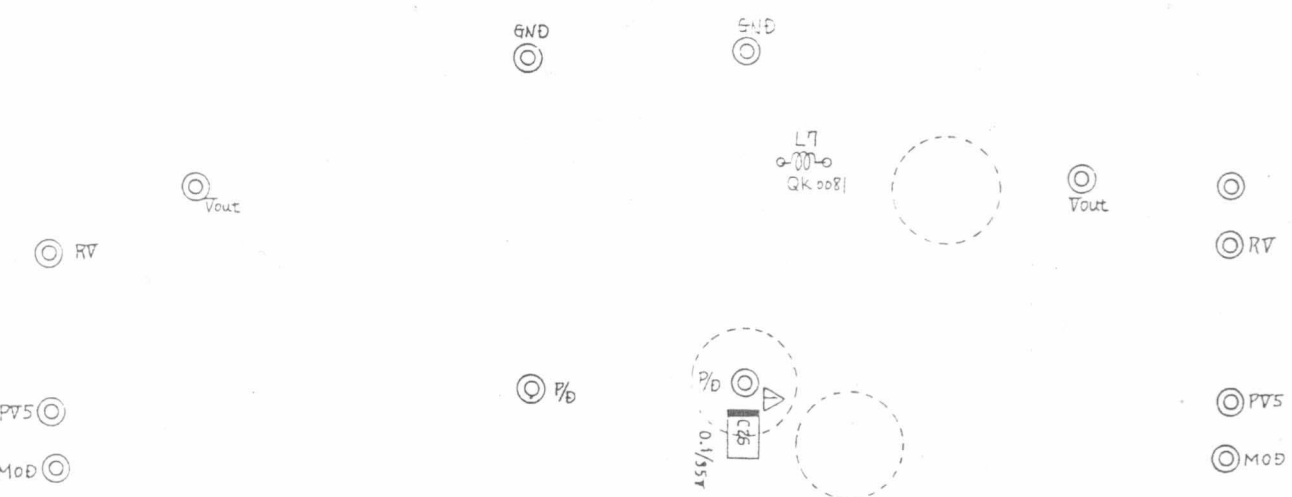
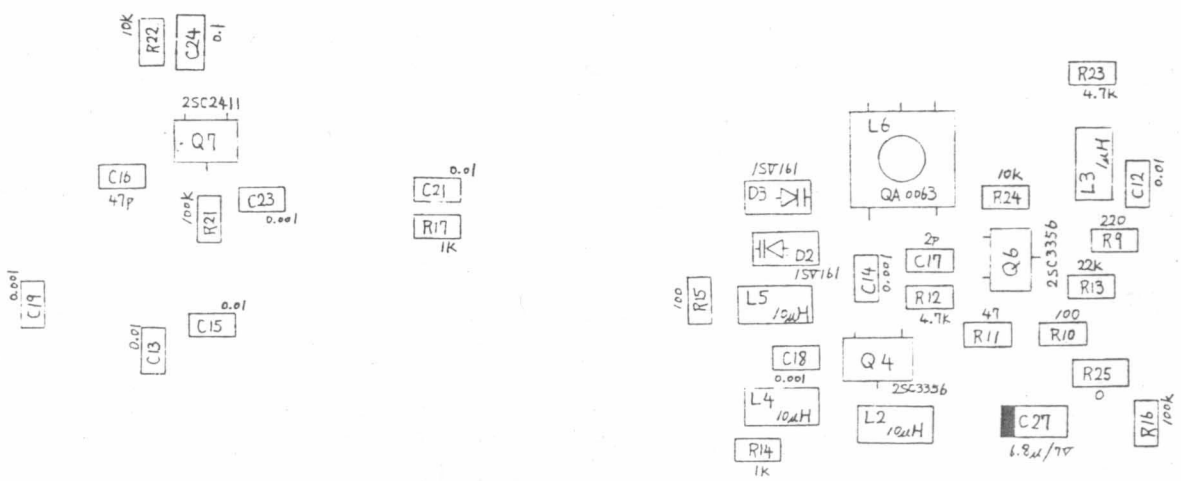


IF PC BOARDS (DJ-160T/E)





VCO PC BOARDS (DJ-160T/E)



CPU PC BOARDS (DJ-160T/E) (DJ-460T/E)

