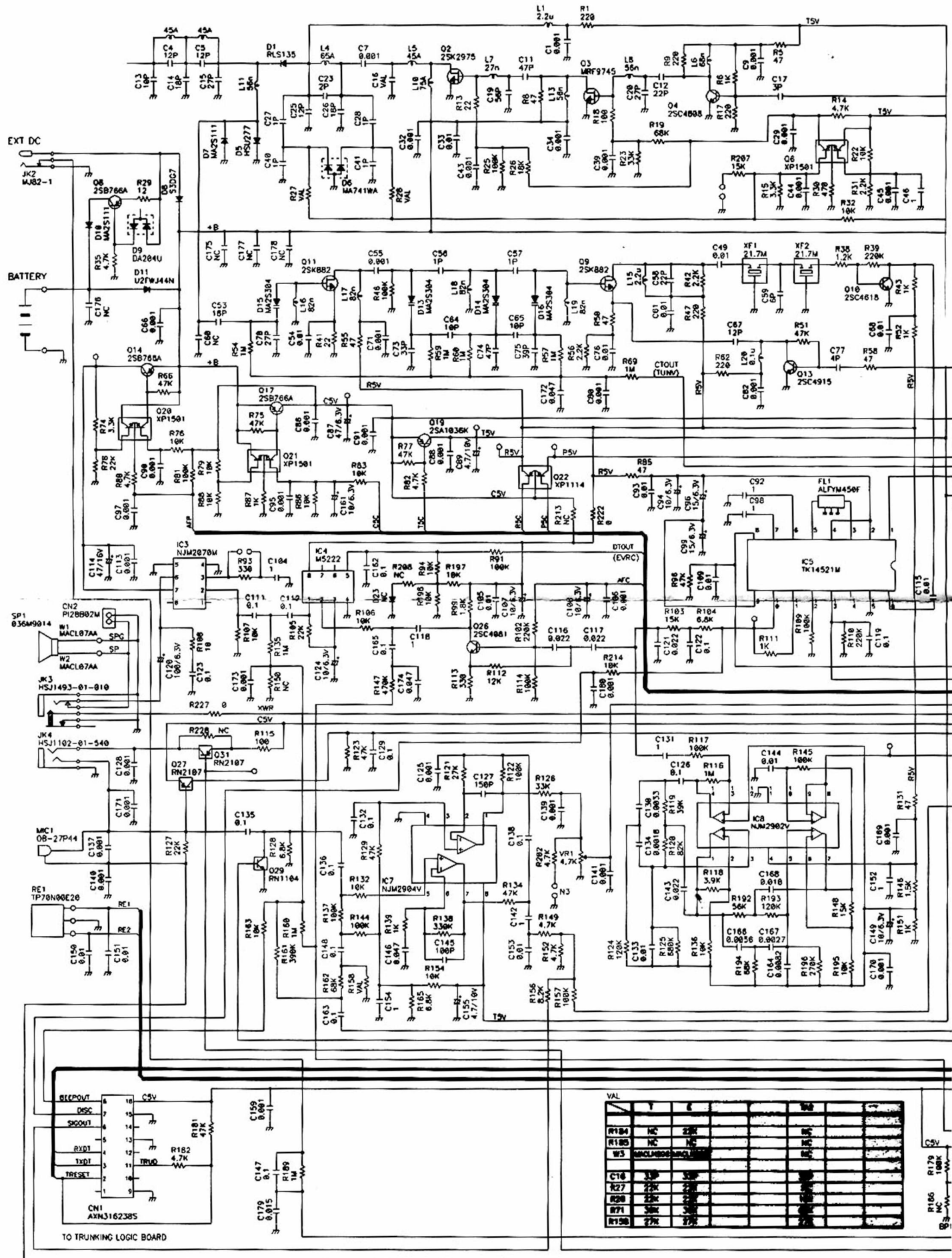


SCHEMATIC DIAGRAM DJ-196T/E



Specifications are subject to change without notice or obligation.

