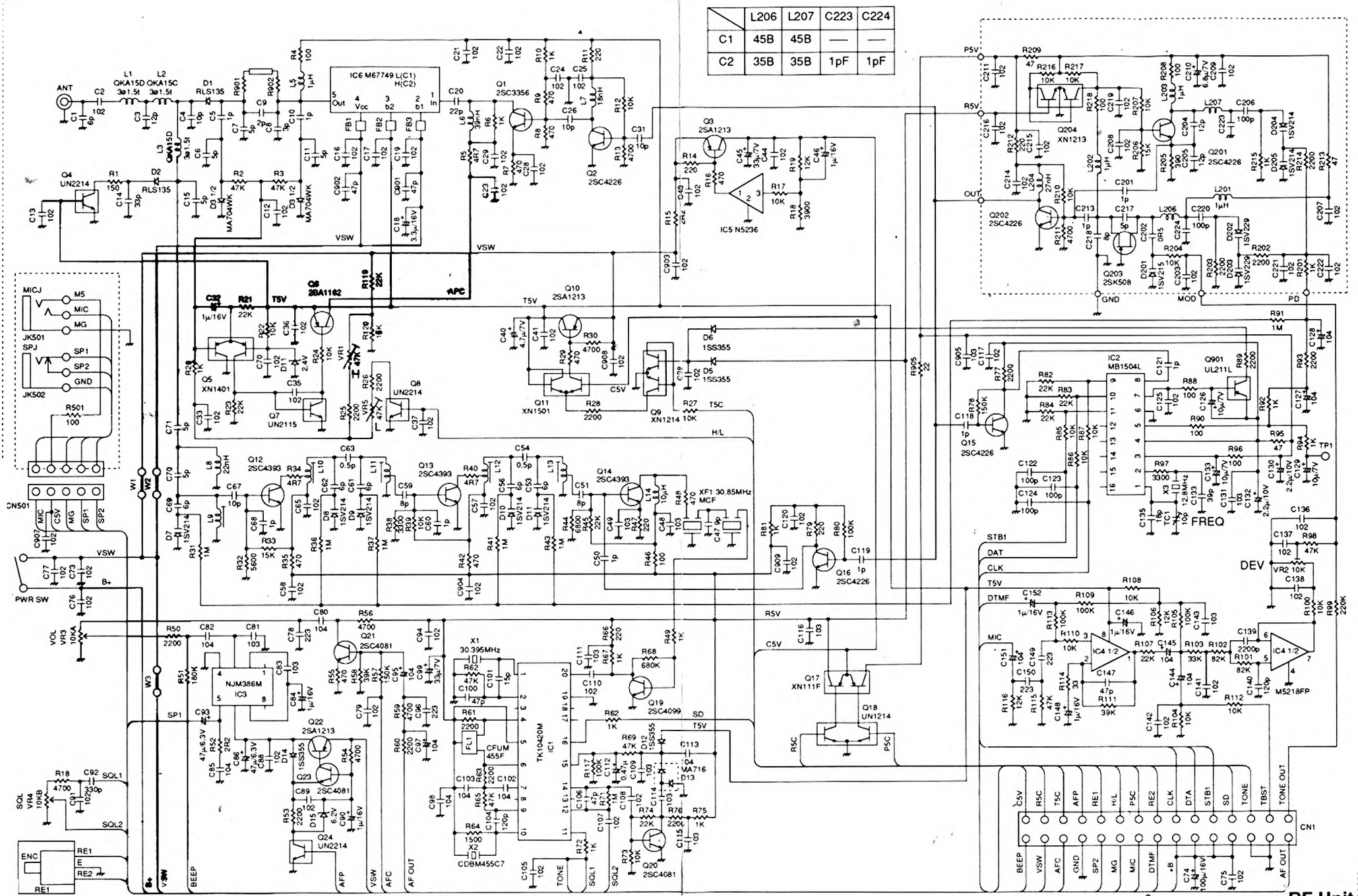


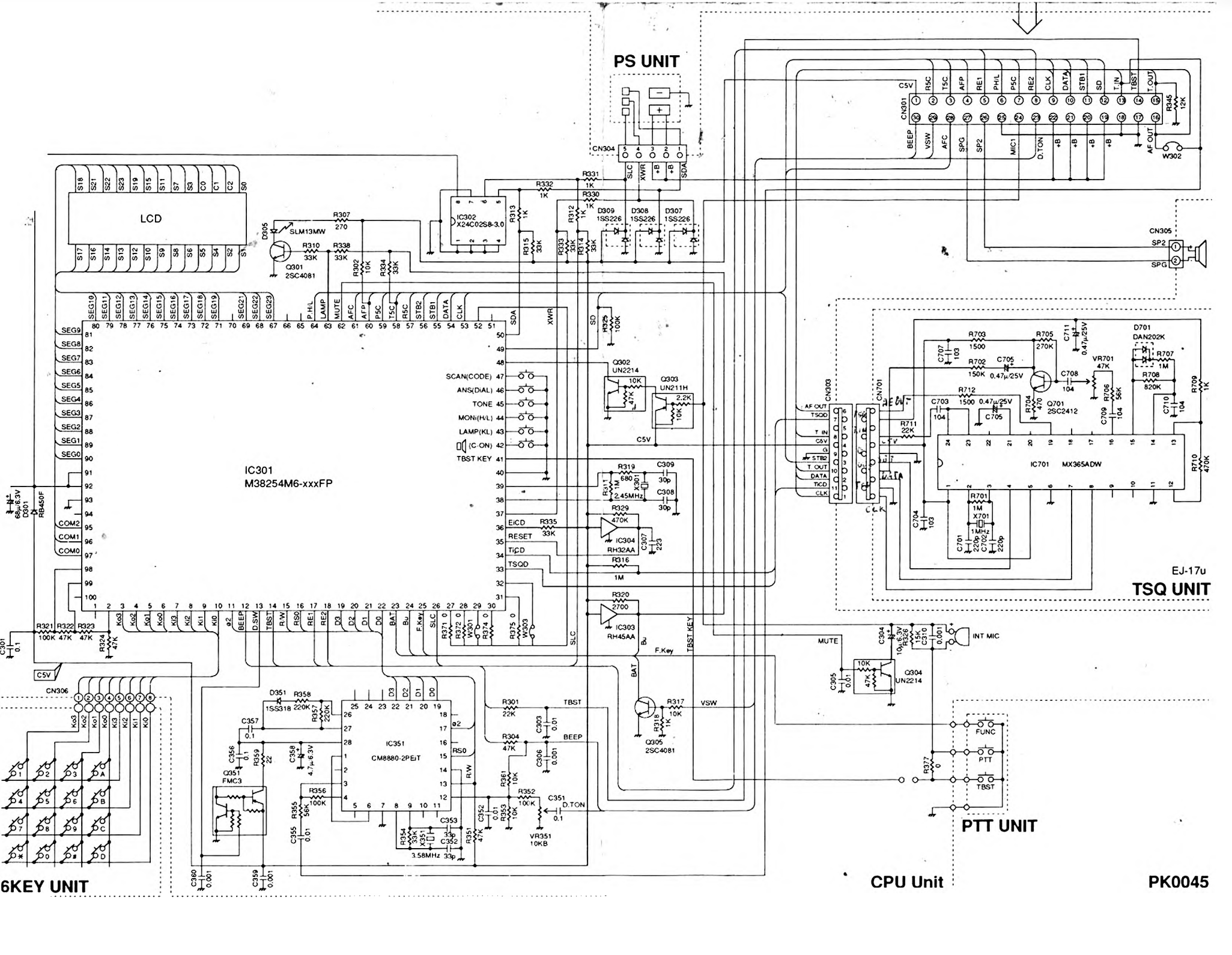
# SCHEMATIC DIAGRAM DJ-482C1/C2

Specifications are subject to change without notice or obligation.

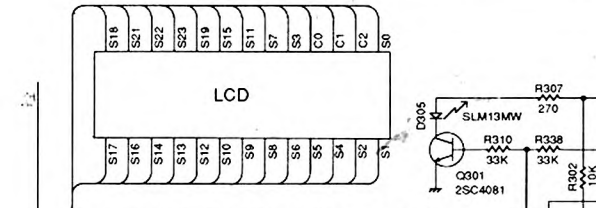
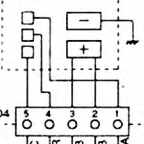


	L206	L207	C223	C224
C1	45B	45B	—	—
C2	35B	35B	1pF	1pF

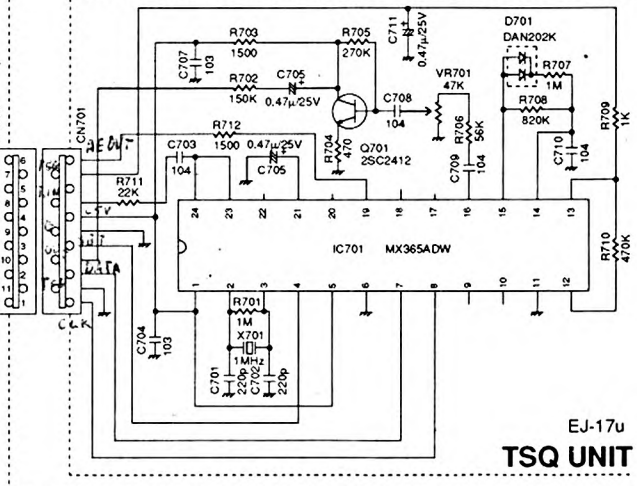
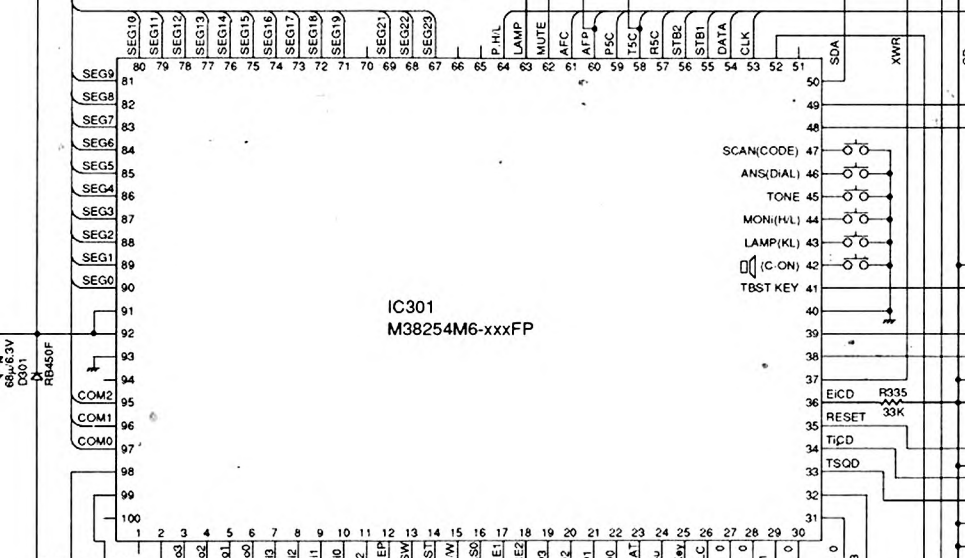
RF Unit



**PS UNIT**

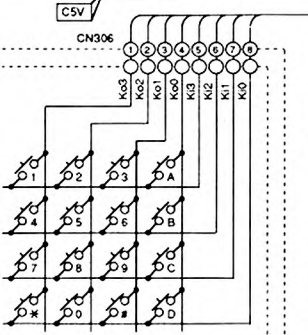


**IC301  
M38254M6-xxxFP**

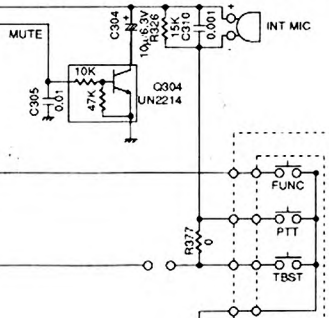


**EJ-17U  
TSQ UNIT**

**6KEY UNIT**



**PTT UNIT**



**CPU Unit**

**PK0045**