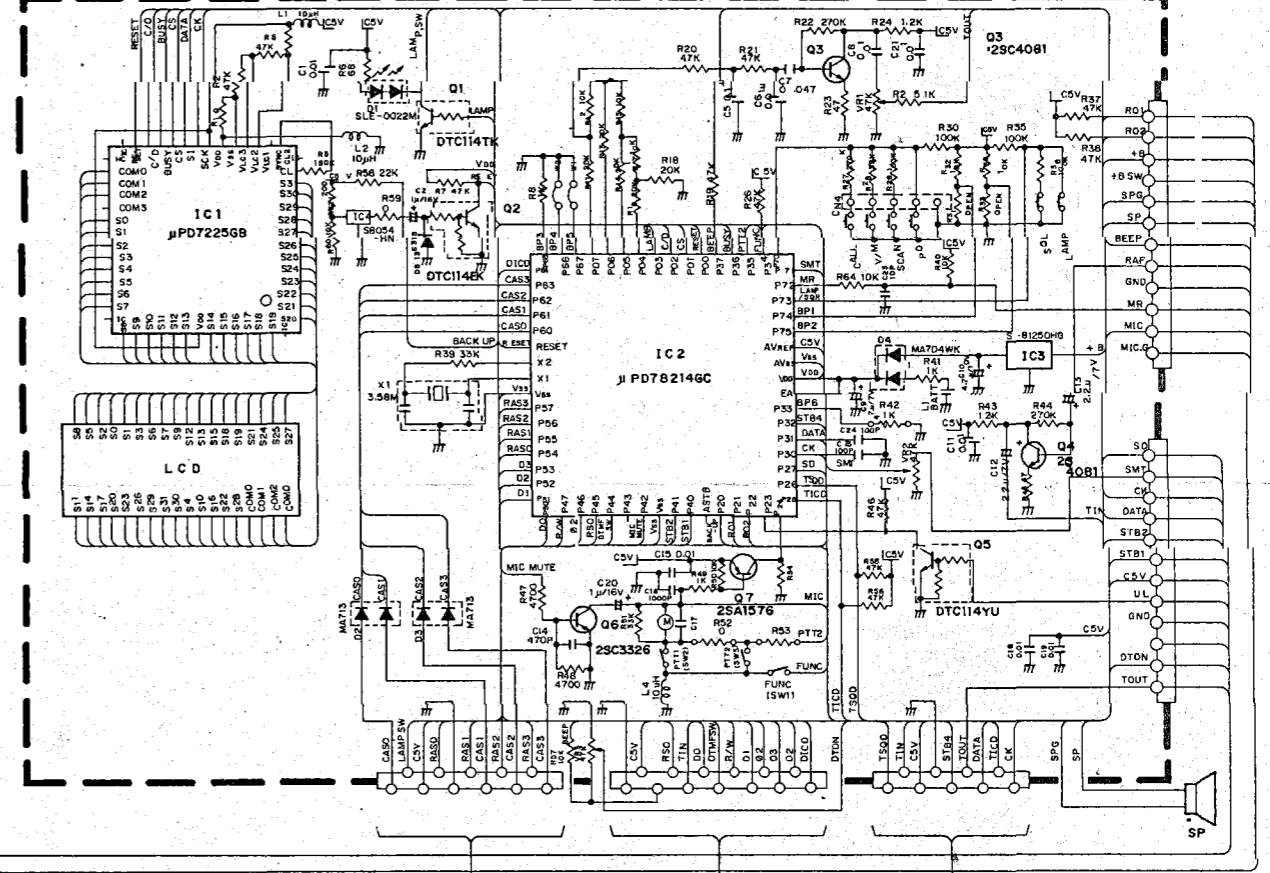
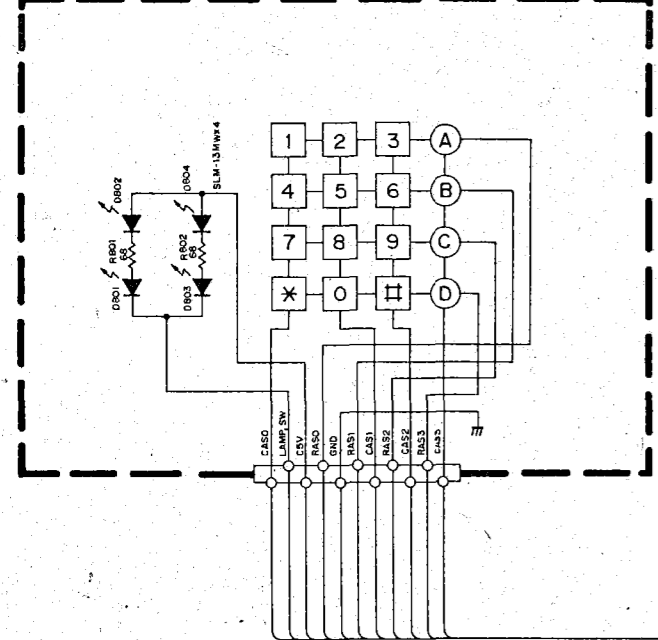


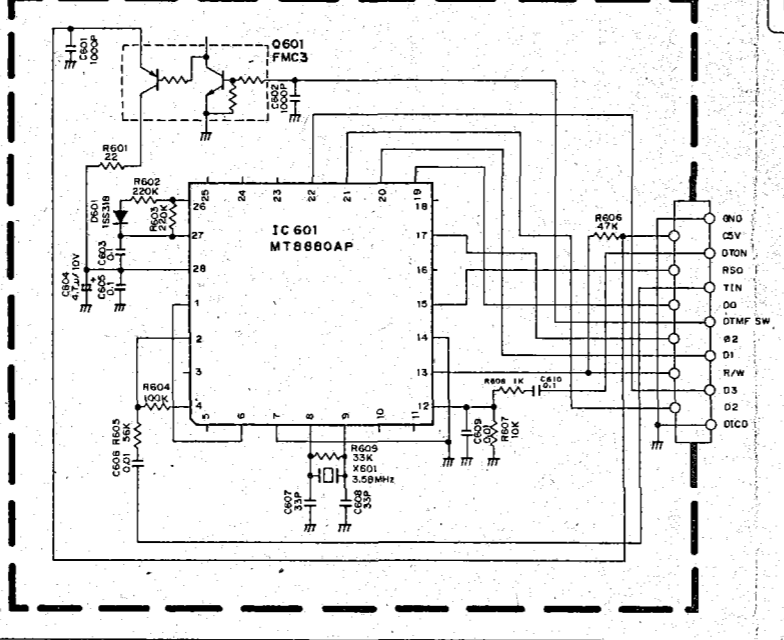
CPU UNIT



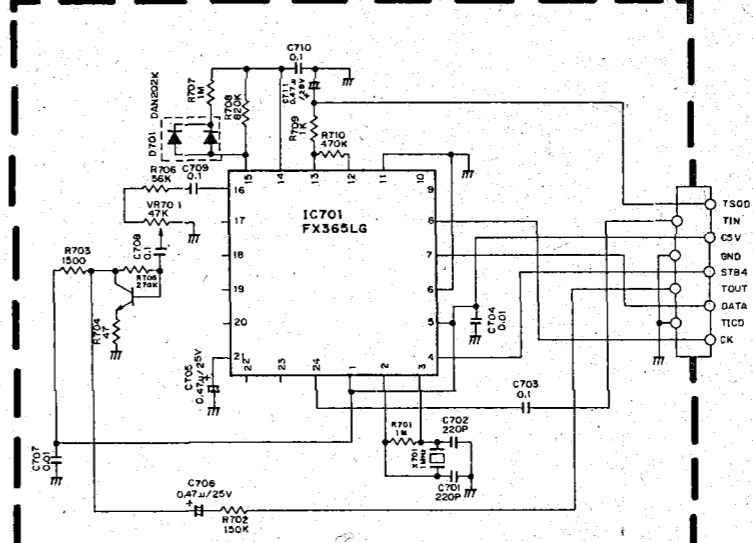
16KEY UNIT(SIT-OPTION)



DTMF UNIT(SIT-OPTION)



TSQ UNIT(FIT, SIT-OPTION)



**SCHEMATIC
DIAGRAM**
DJ-F1T/E
DJ-S1T/E