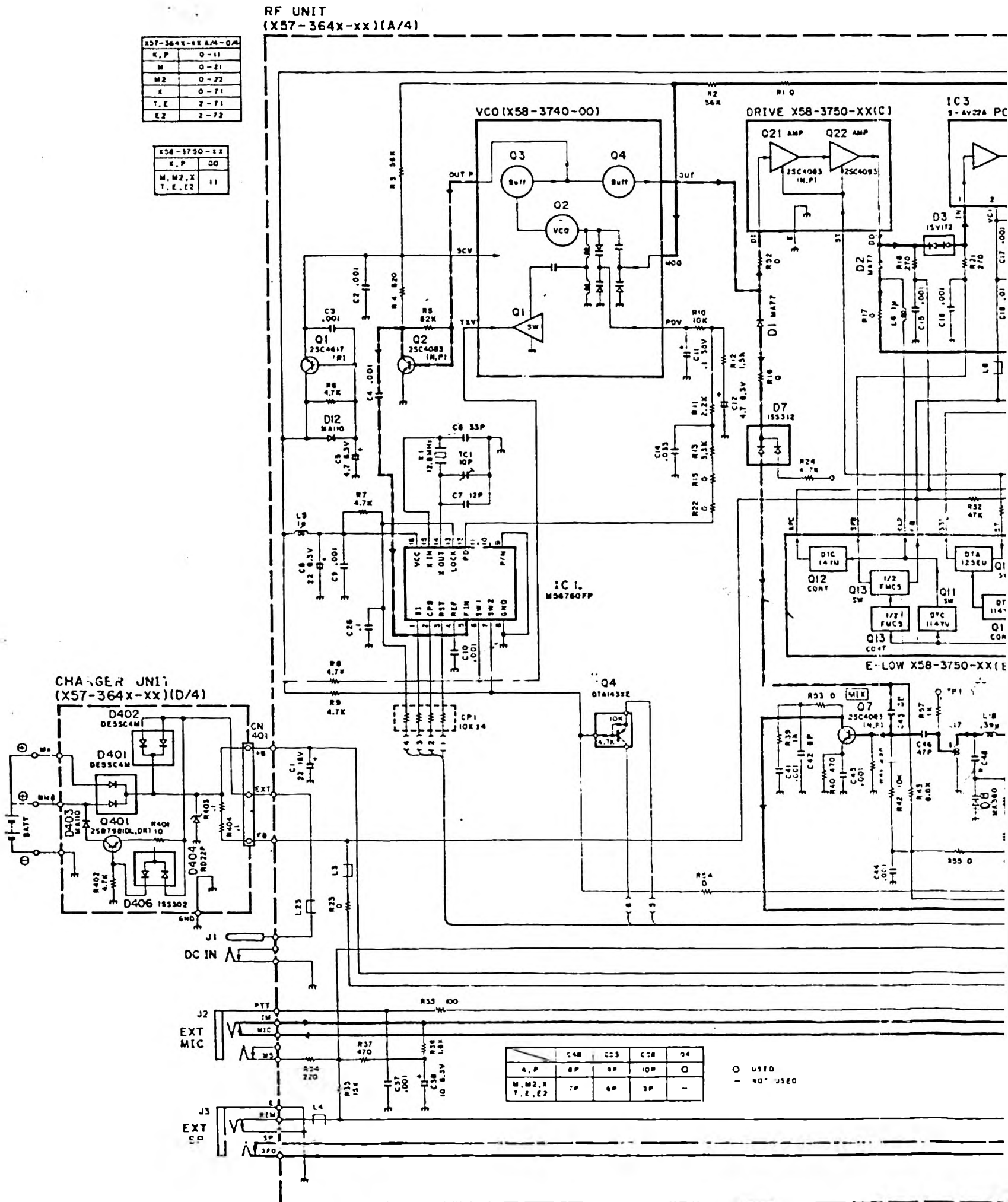


SCHEMATIC DIAGRAM

TH-27A/27E

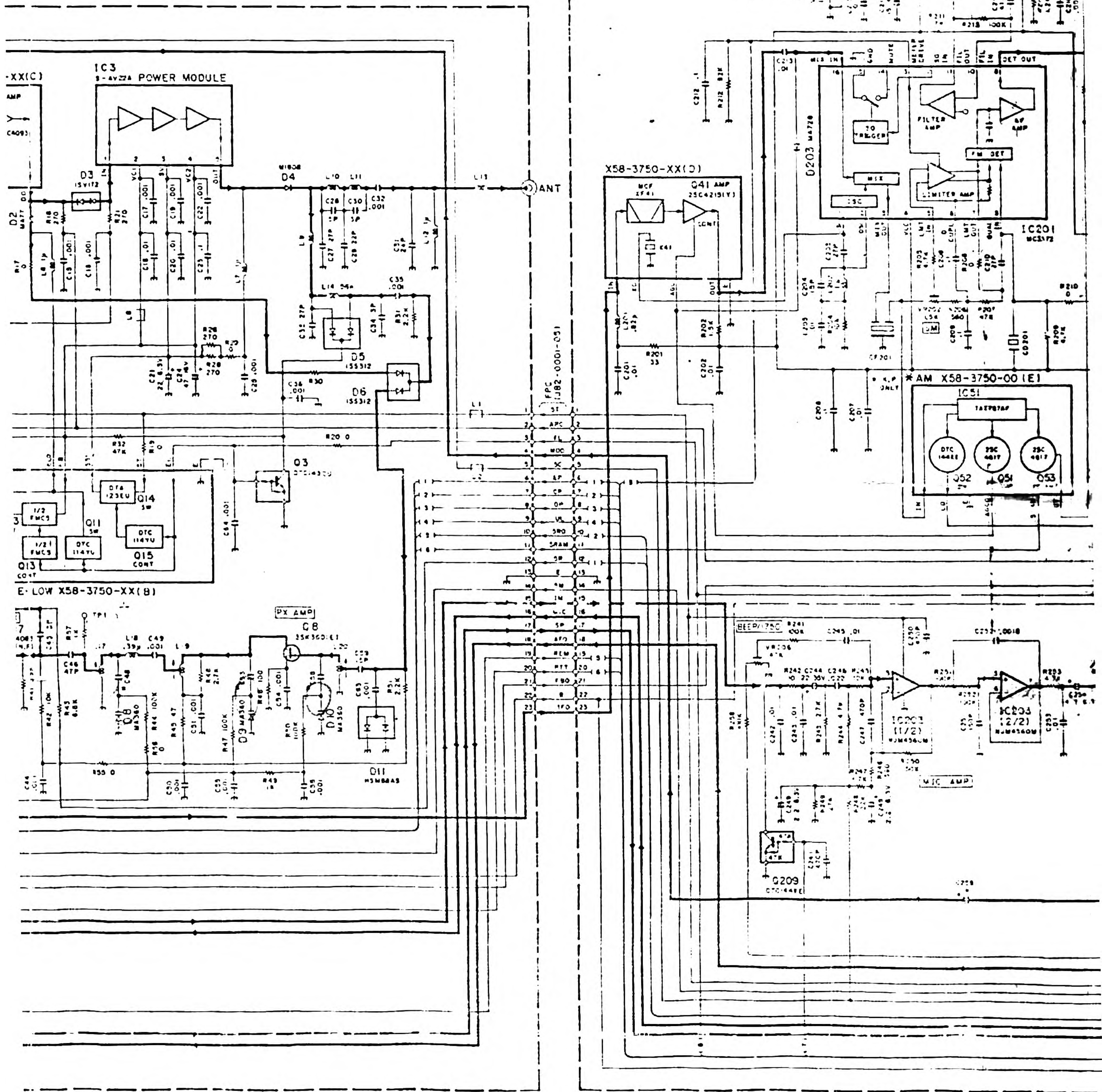
附图25 TH-27A



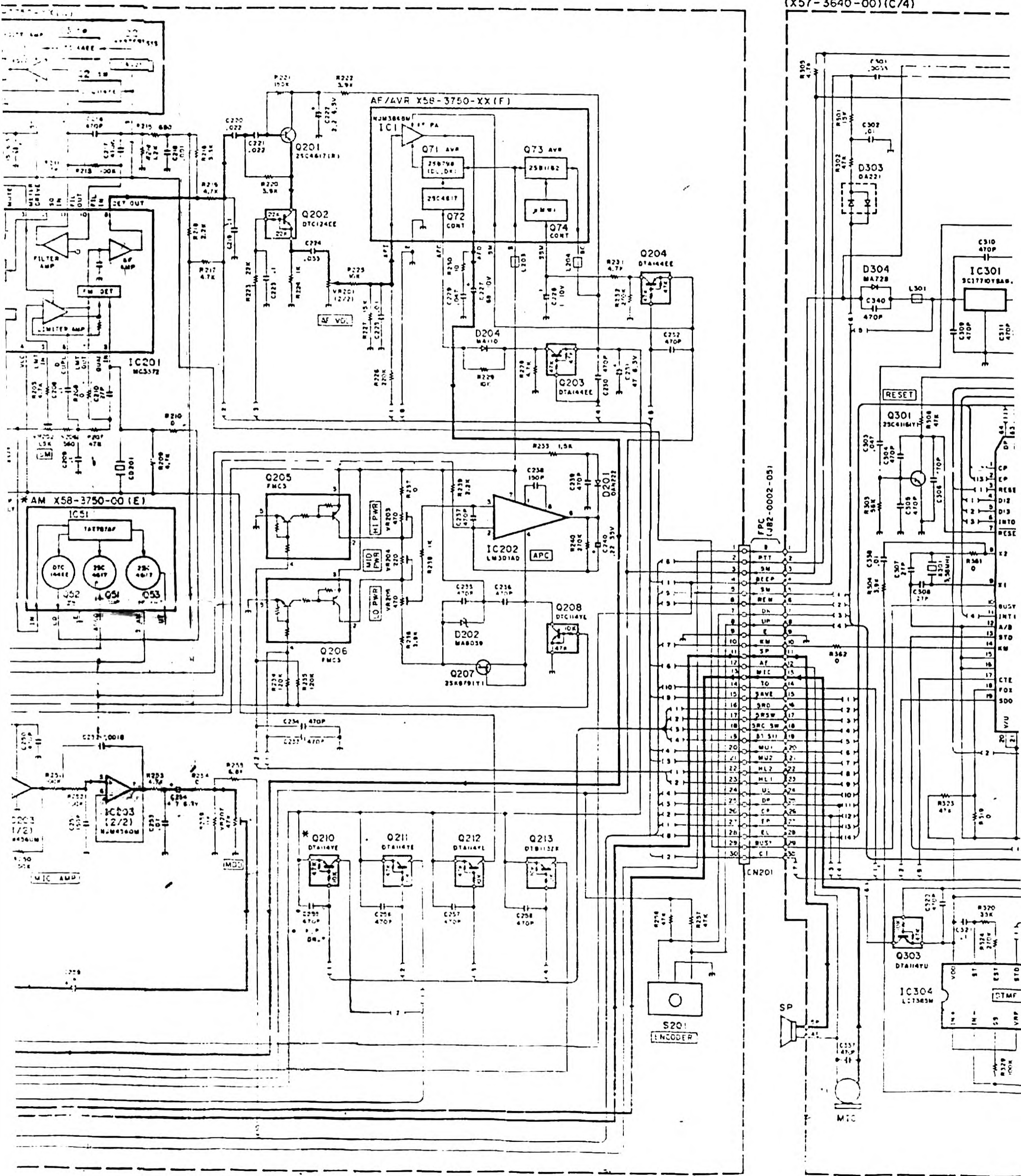
TH-27/TH-47 2/2

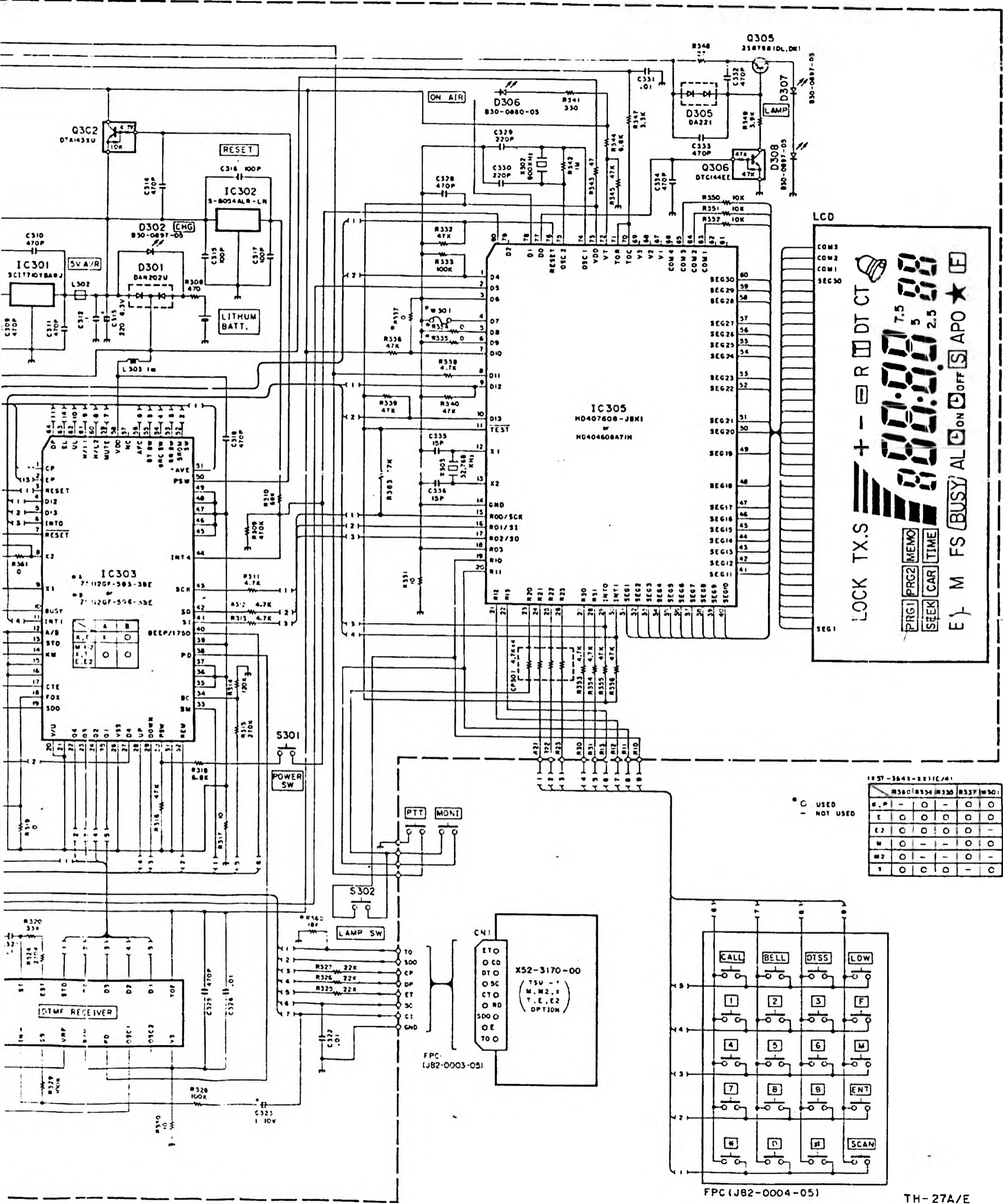
TH-27A/E 电路图

UNIT
(X57-364X-XX) (E/4)



CONTROL UNIT
(X57-3640-00)(C/4)





1157-3641-111C/A1

	R360	R334	R336	R337	R301
B.P.	-	0	-	0	0
E	0	0	0	0	0
E2	0	0	0	0	-
M	0	1	1	0	0
M2	0	1	1	0	0
V	0	0	0	1	0

Note: _____
 Circuit is subject to change without notice due to advancements in technology