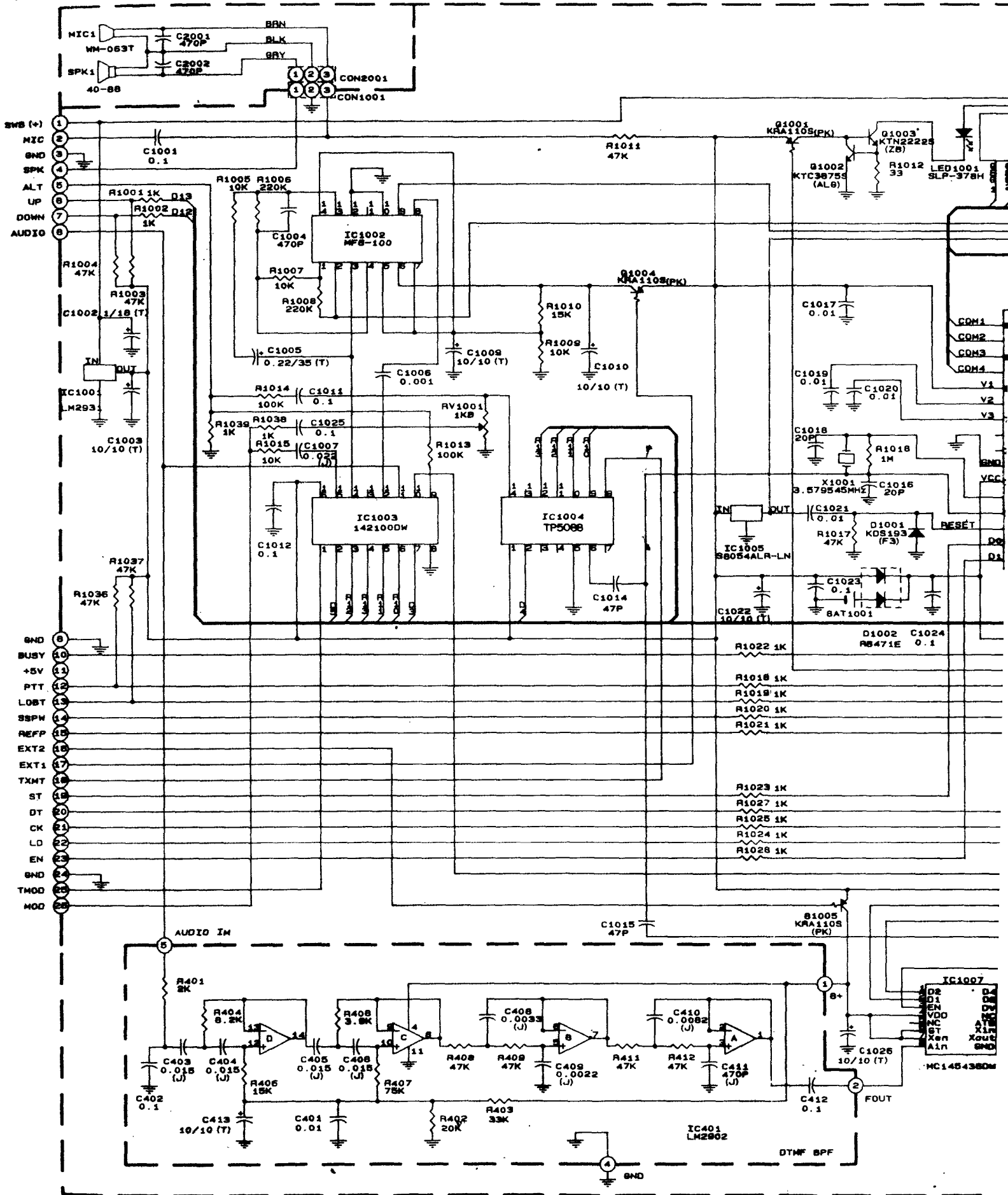
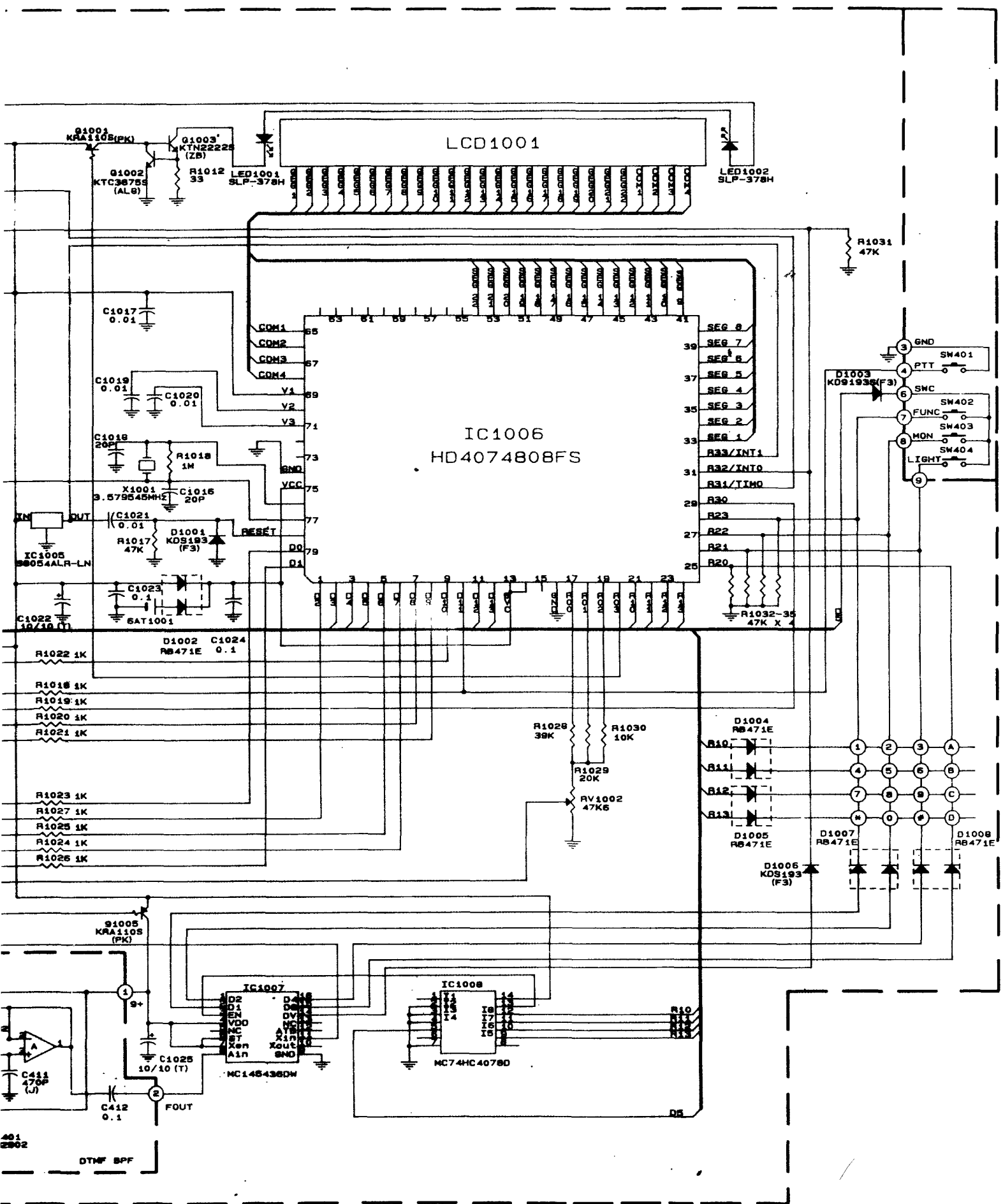


SCHEMATIC DIAGRAM





401
2902

DTMF BPF

EMATIC DIAGRAM

