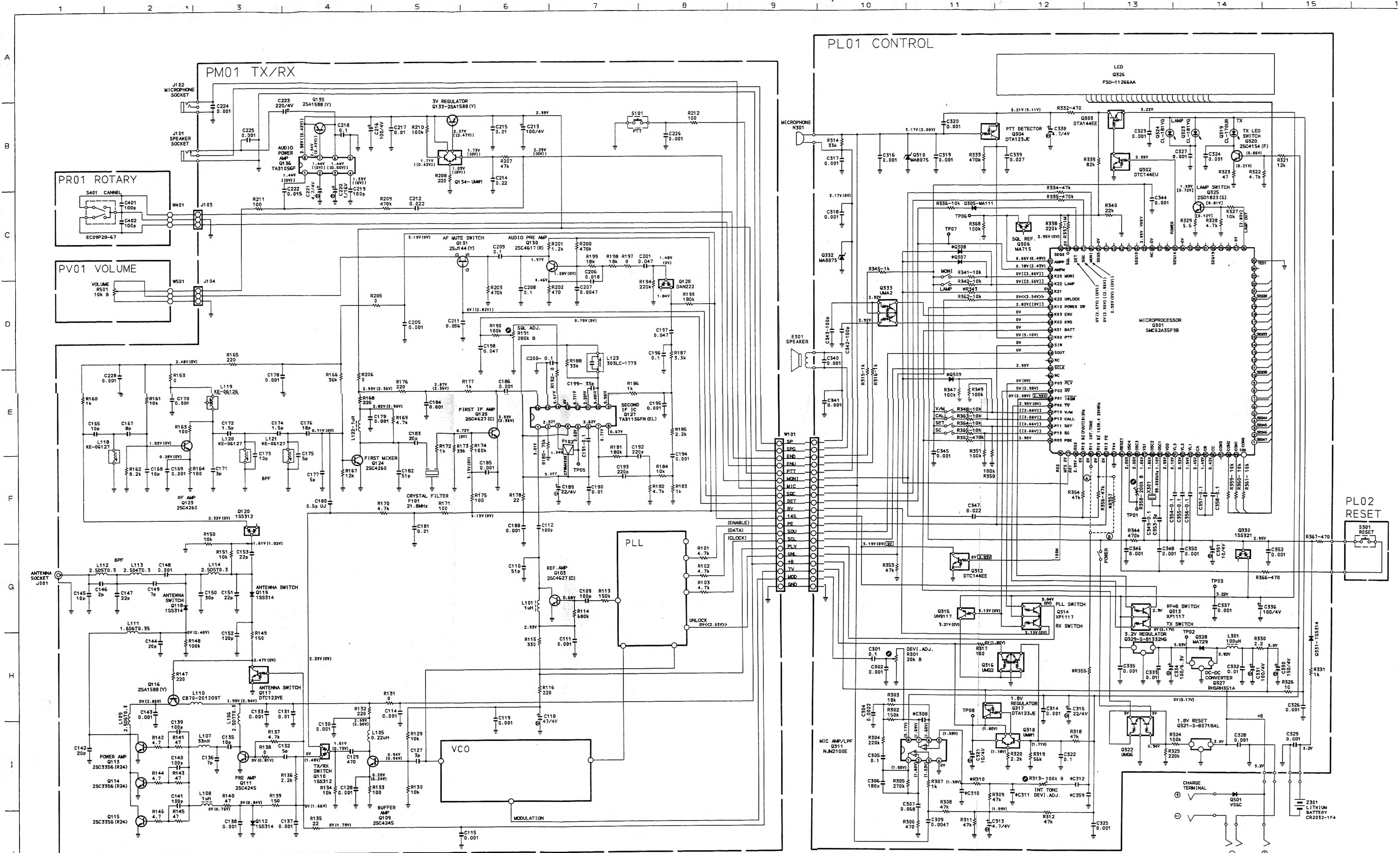


12. SCHEMATIC DIAGRAM COMPONENT OVERLAY DIAGRAM



* THE CONTRAST CHART

| REF. DESIG. | Q307 | Q308 | Q309 | C308 | C310 | C311 | C312 | C359 | R310 | R343 | R355 | R357 | ⊖ | ⊕ |
|-------------|-------|-------|-------|------|--------|--------|------|-------|------|------|------|------|-------|-------|
| C108A | OPEN | OPEN | MA729 | 330p | 0.22 | 0.047 | 0.22 | OPEN | 33k | OPEN | 4.7k | OPEN | SHORT | OPEN |
| C108 | OPEN | MA729 | OPEN | 470p | 0.0022 | 0.0082 | 0.1 | 0.022 | 68k | 10k | OPEN | 4.7k | OPEN | SHORT |
| C108S | MA729 | MA729 | MA729 | 470p | 0.0022 | 0.0082 | 0.1 | 0.022 | 68k | OPEN | OPEN | 4.7k | OPEN | SHORT |

NOTES:
 1. REFER TO PARTS LIST FOR COMPONENT VALUES.
 2. UNLESS OTHERWISE NOTED RESISTOR VALUES ARE IN OHMS (1/16W), AND CAPACITOR VALUES ARE IN MICROFARADS.
 3. VOLTAGE NOTATIONS ARE AS FOLLOWS:
 NO MARKING RX [] LAMP
 () TX [[]] KEY LAMP
 << >> UNLOCK () SOL HI POSITION
 () SOL ON INPUT VOLTAGE 3.0V
 RX TX FREQUENCY 145.000MHz

BATTERY TERMINAL
 2.2V-3.5V