

EBC 94

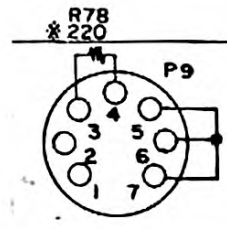
VI 6U8 REC MIX

ECC 52

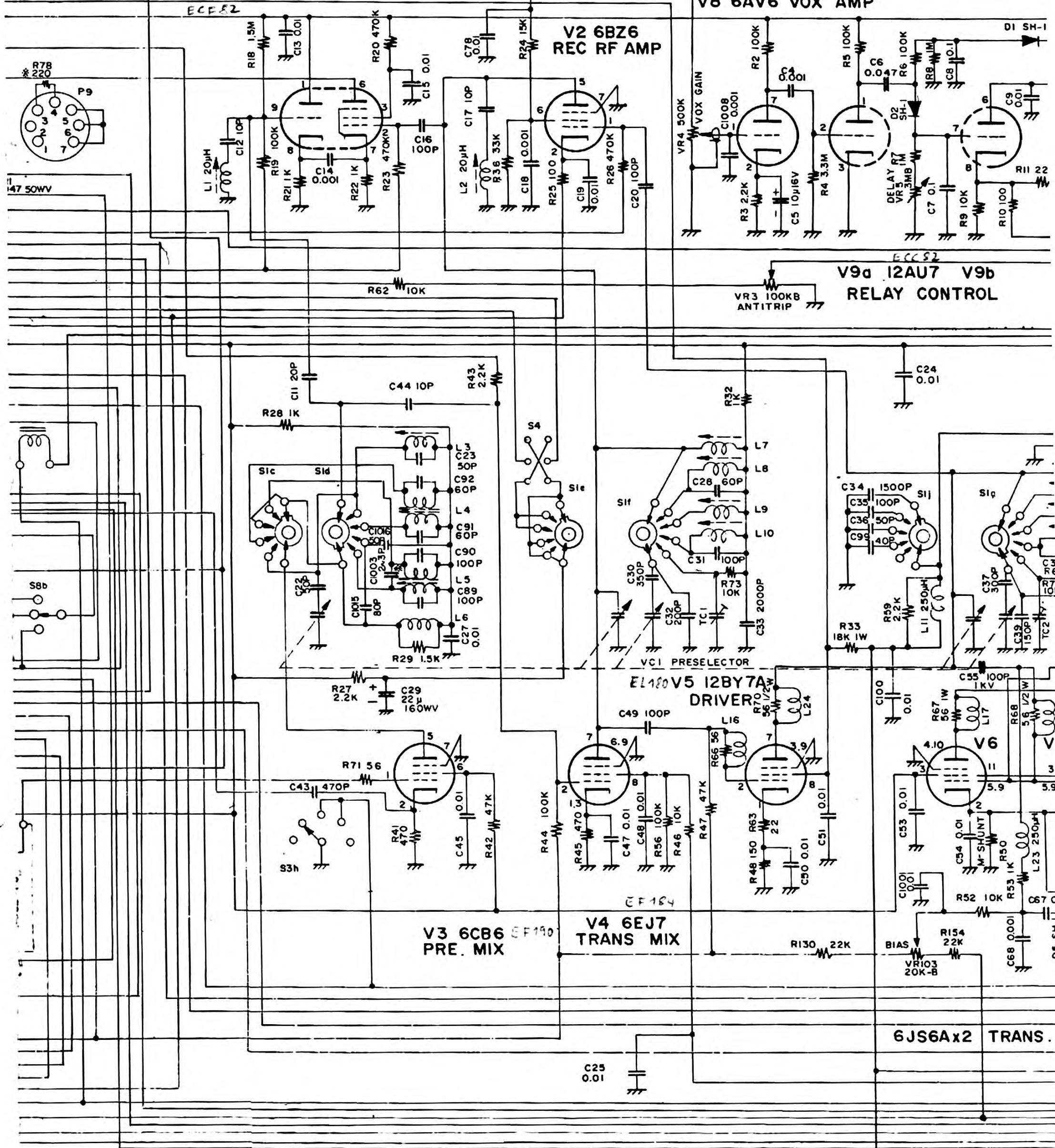
V8 6AV6 VOX AMP

V2 6BZ6 REC RF AMP

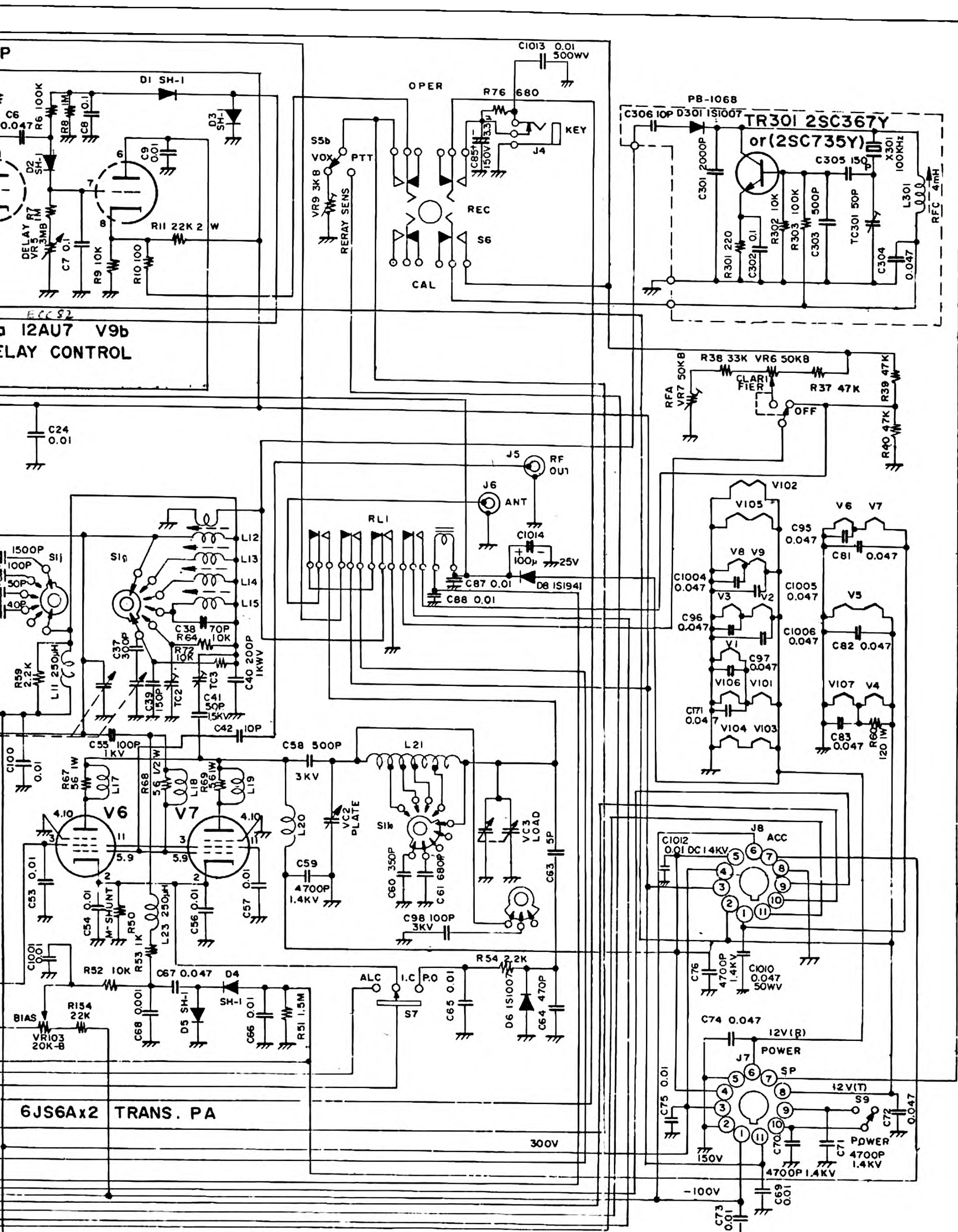
V9a 12AU7 V9b RELAY CONTROL



147 50WV



D1 ~ D5 } SH-1
D101 ~ C103 }
D106 }



D1 ~ D5
 D101 ~ D103 } SH-1 or 1S1941
 D106

NOTES:
 1. ALL RESISTORS IN OHM 1/2W ± 10%
 UNLESS OTHERWISE NOTED.

2. ALL CAPACITORS IN μF
 UNLESS OTHERWISE NOTED.

3. * VALUE IS NOMINAL

FT200 / FT250 CIRCUIT DIAGRAM