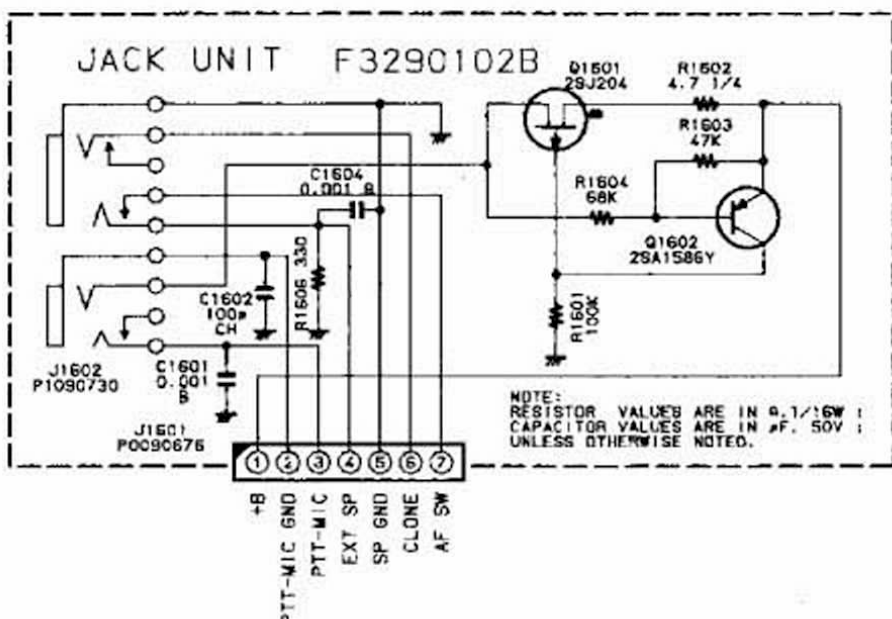
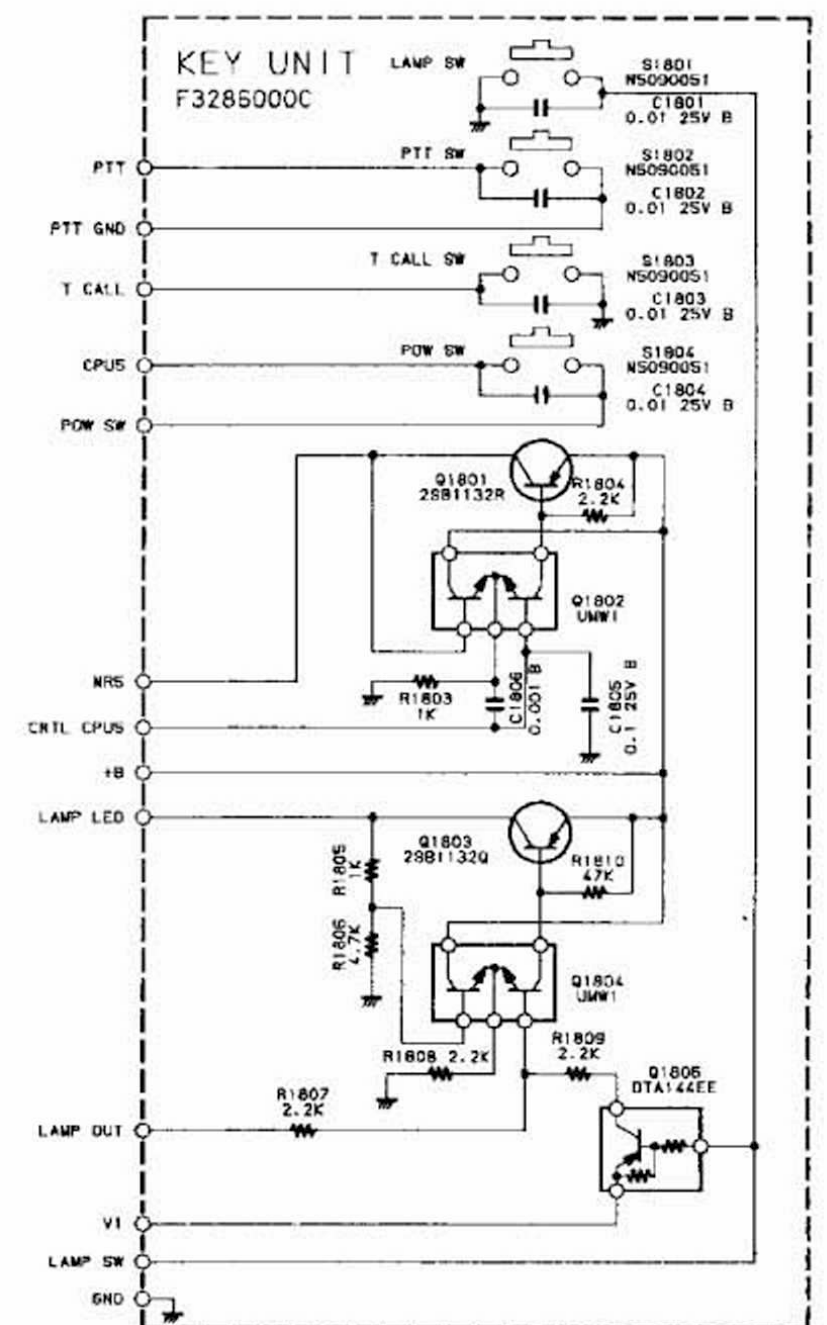
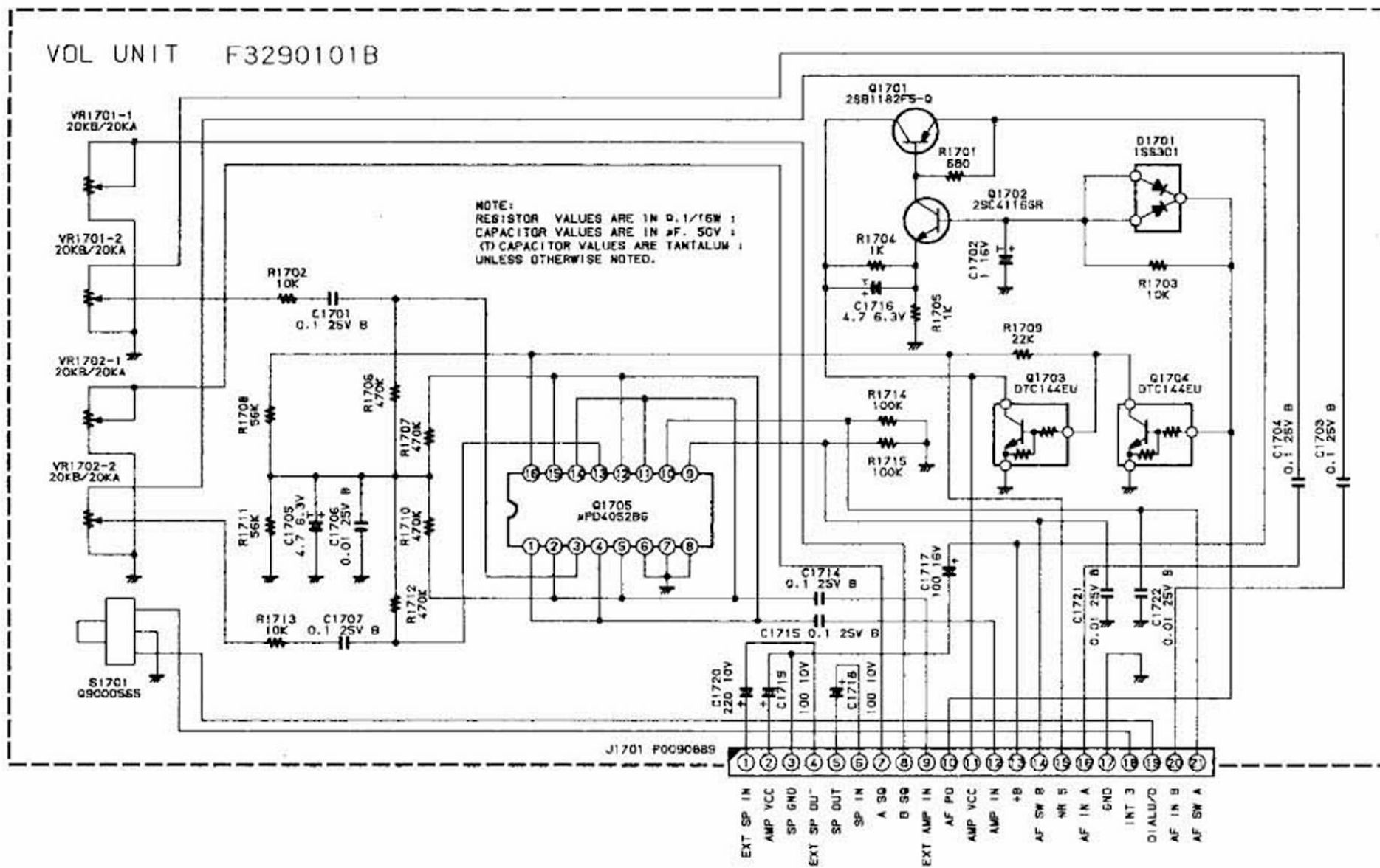
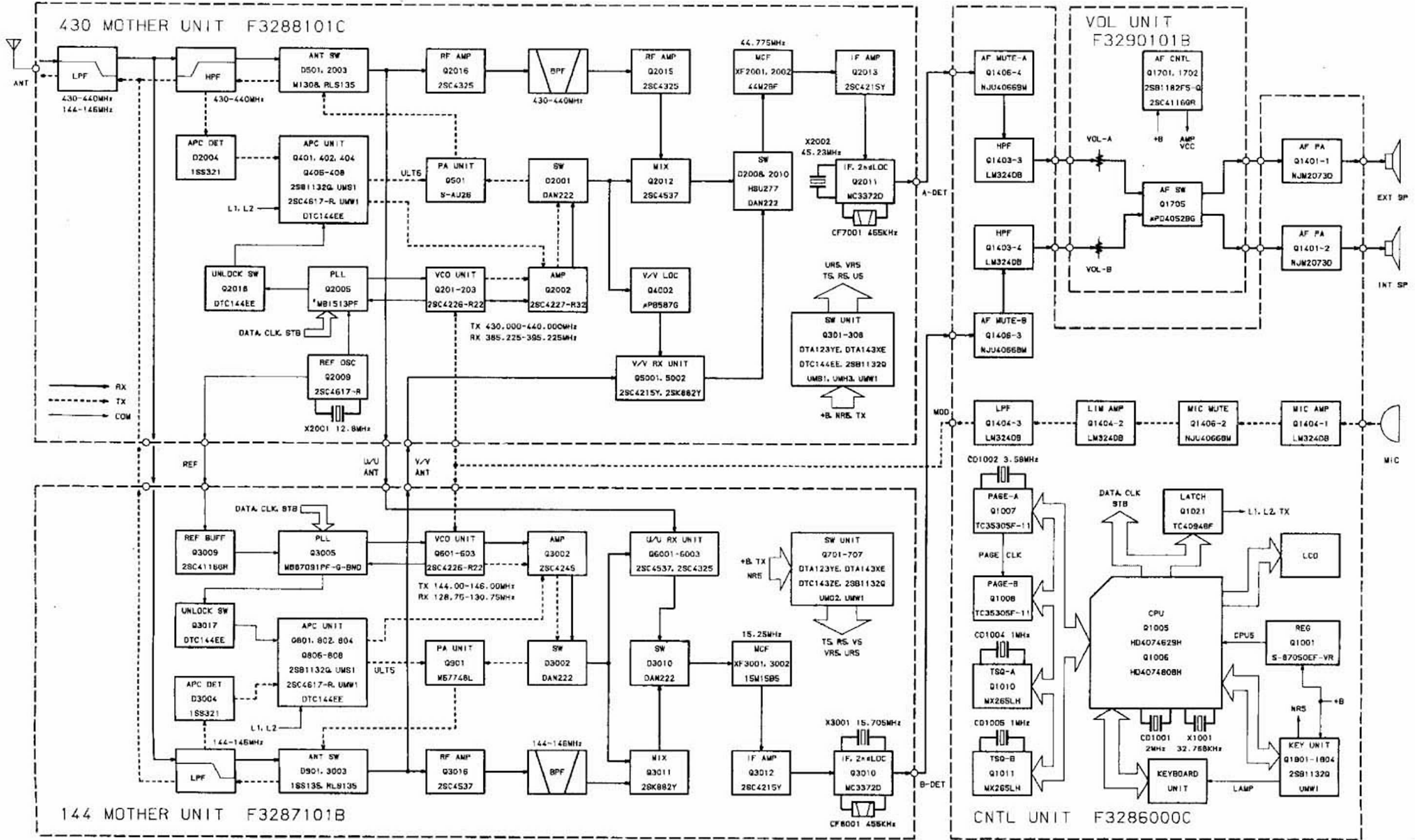


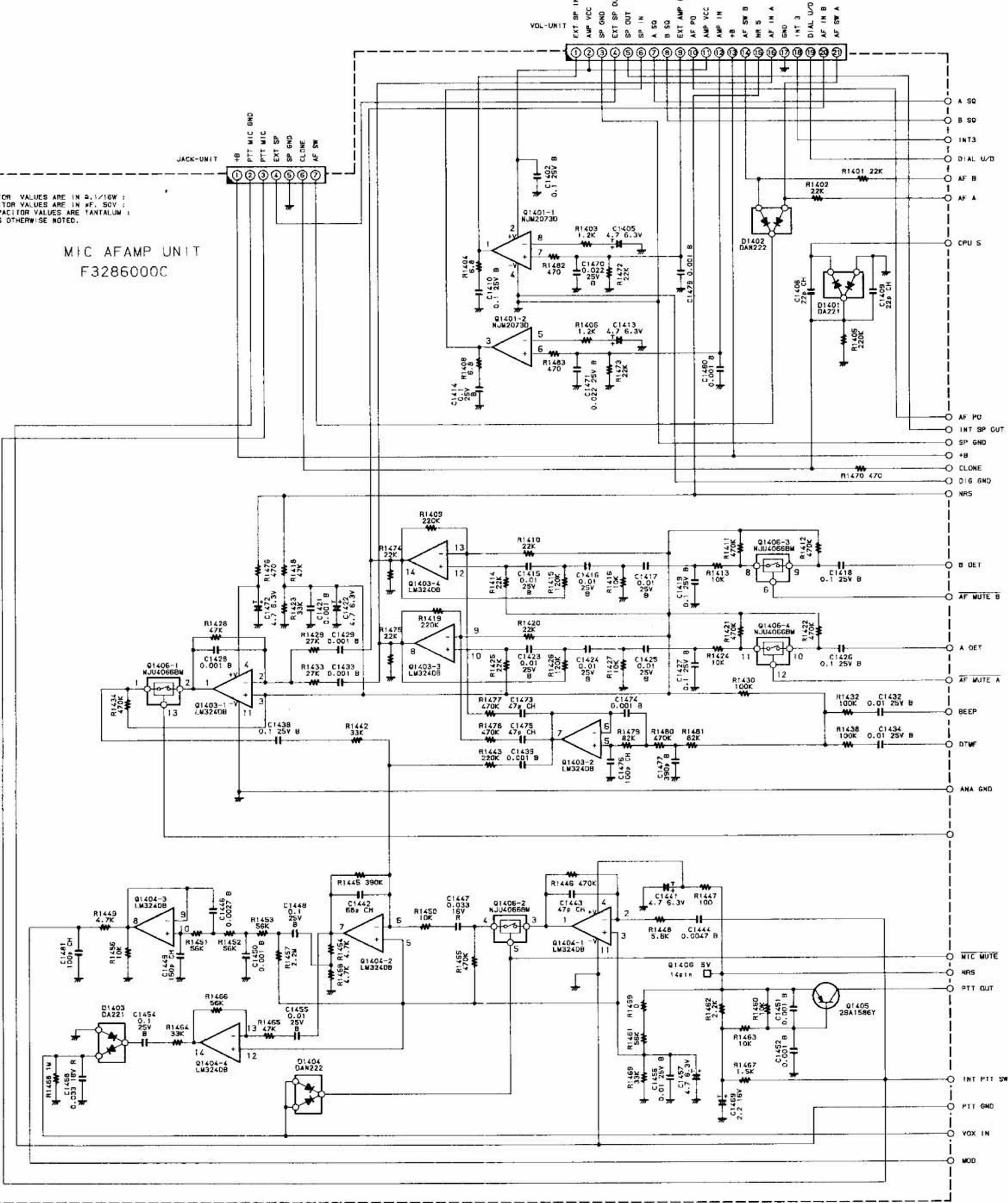
FT-530 Circuit Diagrams



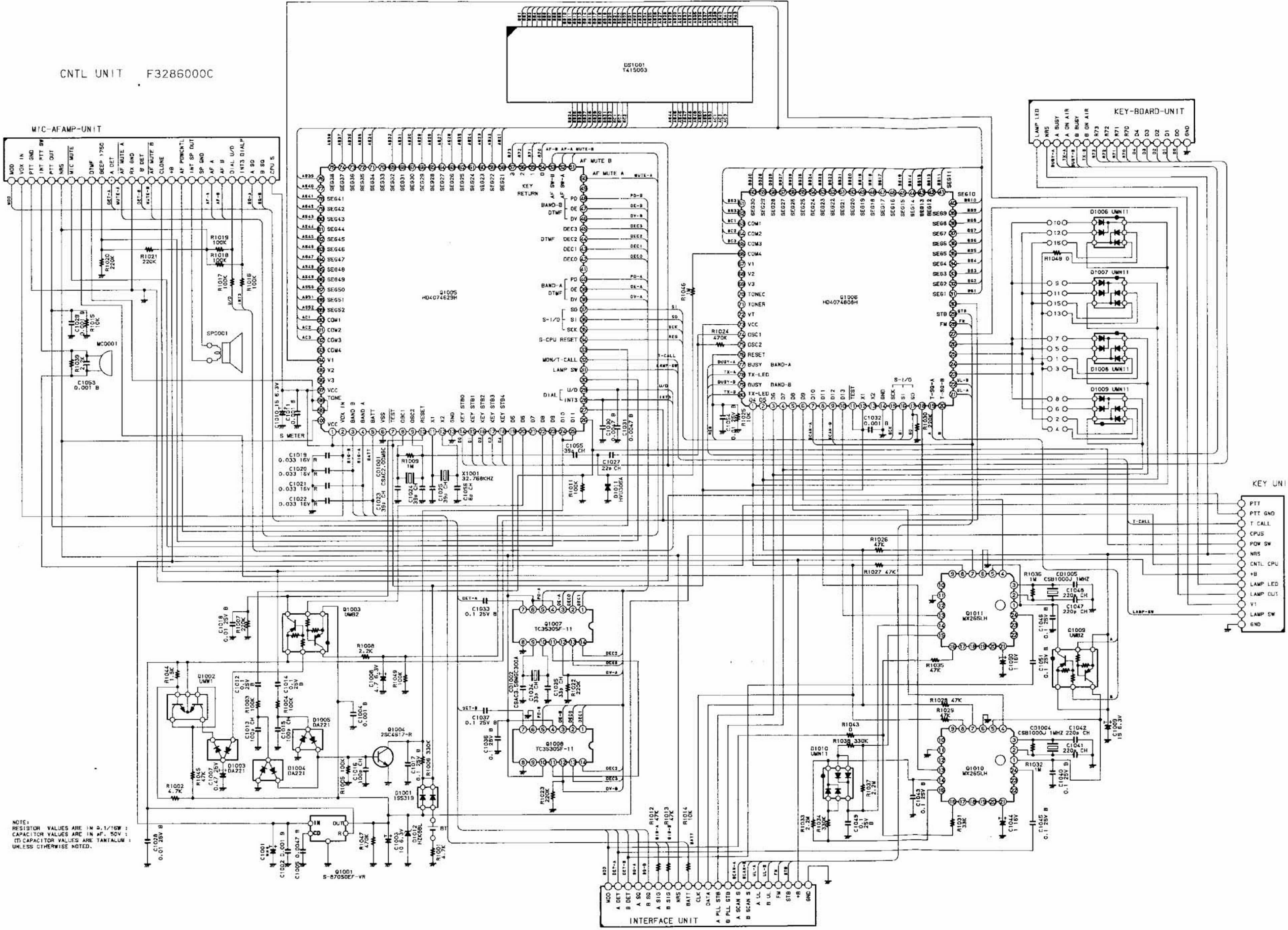
YAESU MUSEN CO., LTD.

NOTE:
RESISTOR VALUES ARE IN Ω , $\frac{1}{16}W$;
CAPACITOR VALUES ARE IN μF , 50V ;
(T) CAPACITOR VALUES ARE TANTALUM ;
UNLESS OTHERWISE NOTED.

MIC AFAMP UNIT
F3286000C

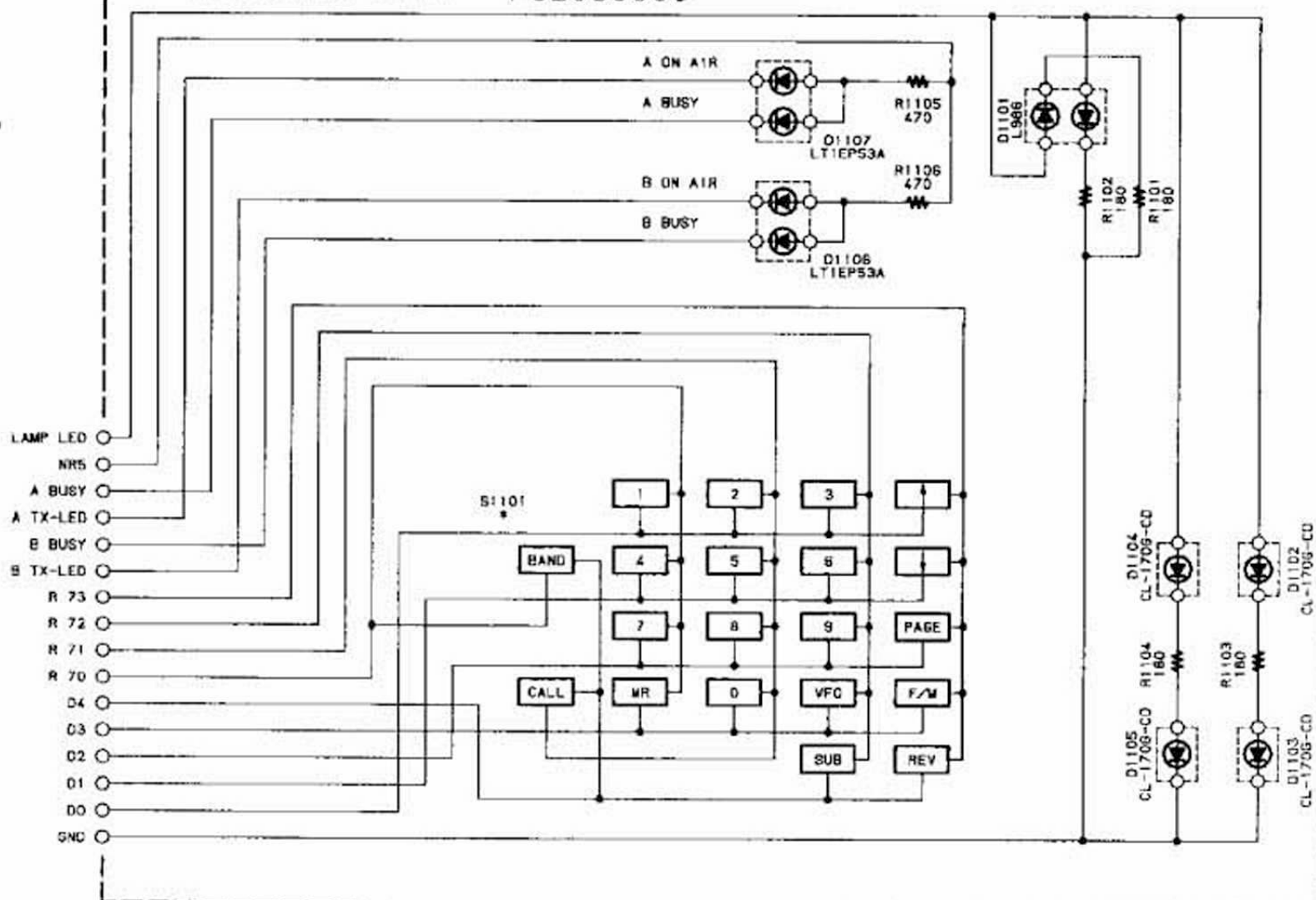


CNTL UNIT F328600C

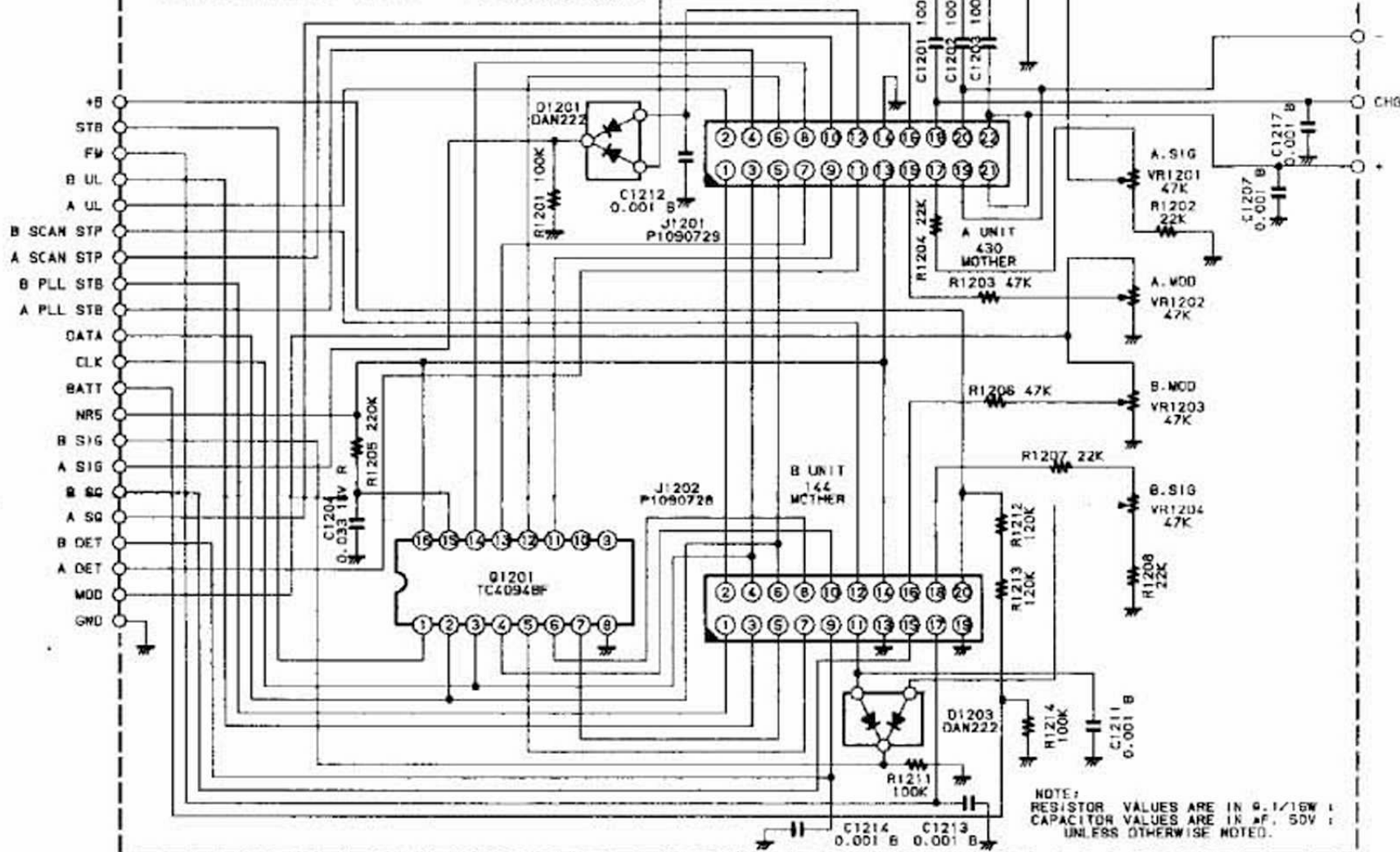


NOTE:
RESISTOR VALUES ARE IN Ω , 1/16W ;
CAPACITOR VALUES ARE IN μ F, 50V ;
(T) CAPACITOR VALUES ARE TANTALUM ;
UNLESS OTHERWISE NOTED.

KEYBOARD UNIT F3286000C

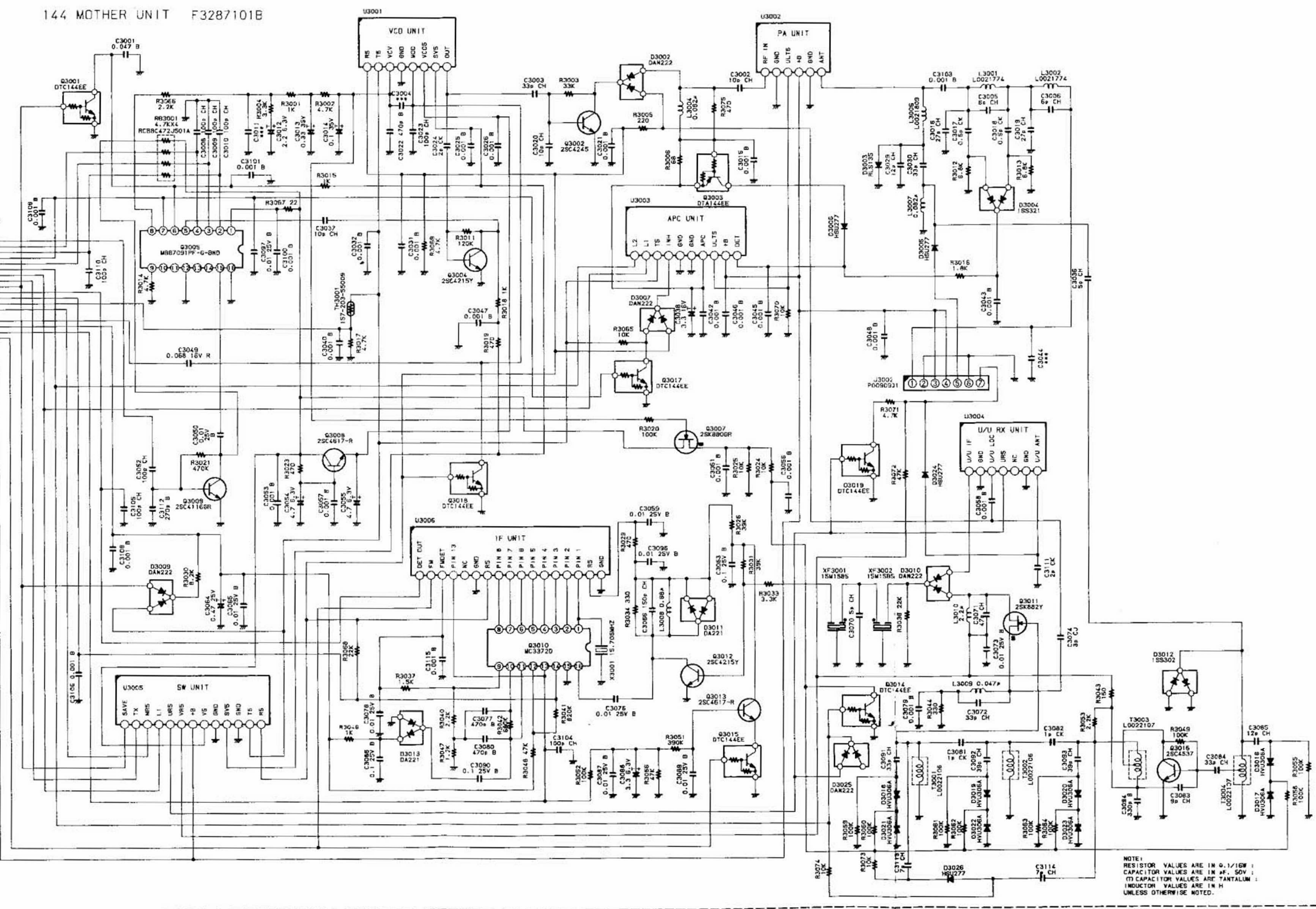
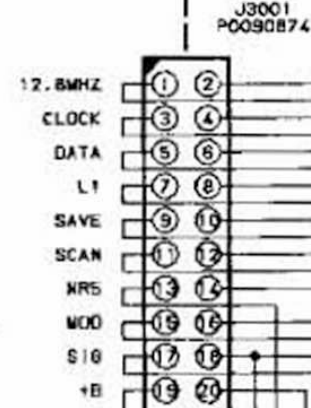


INTERFACE UNIT F3286000C

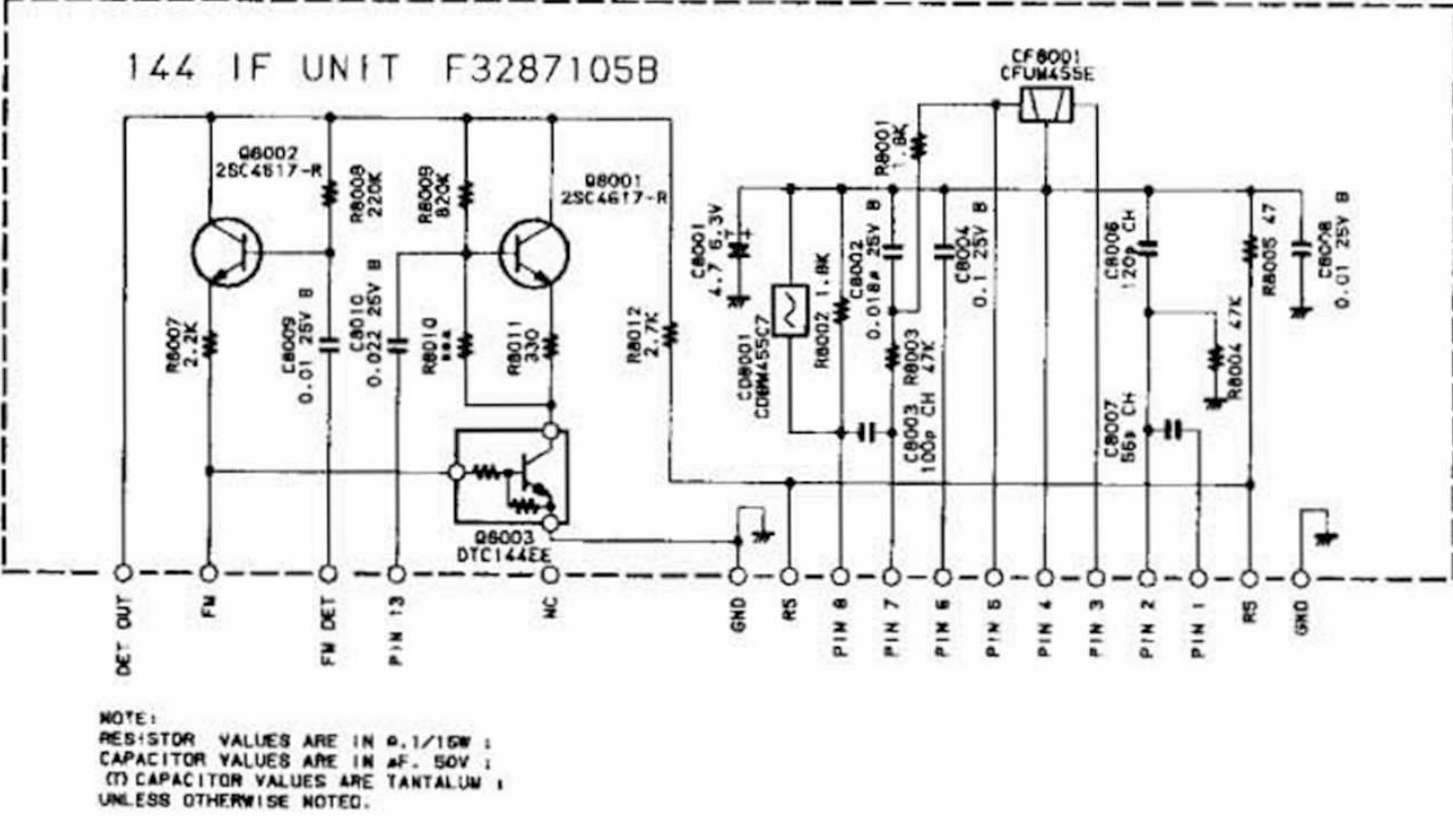
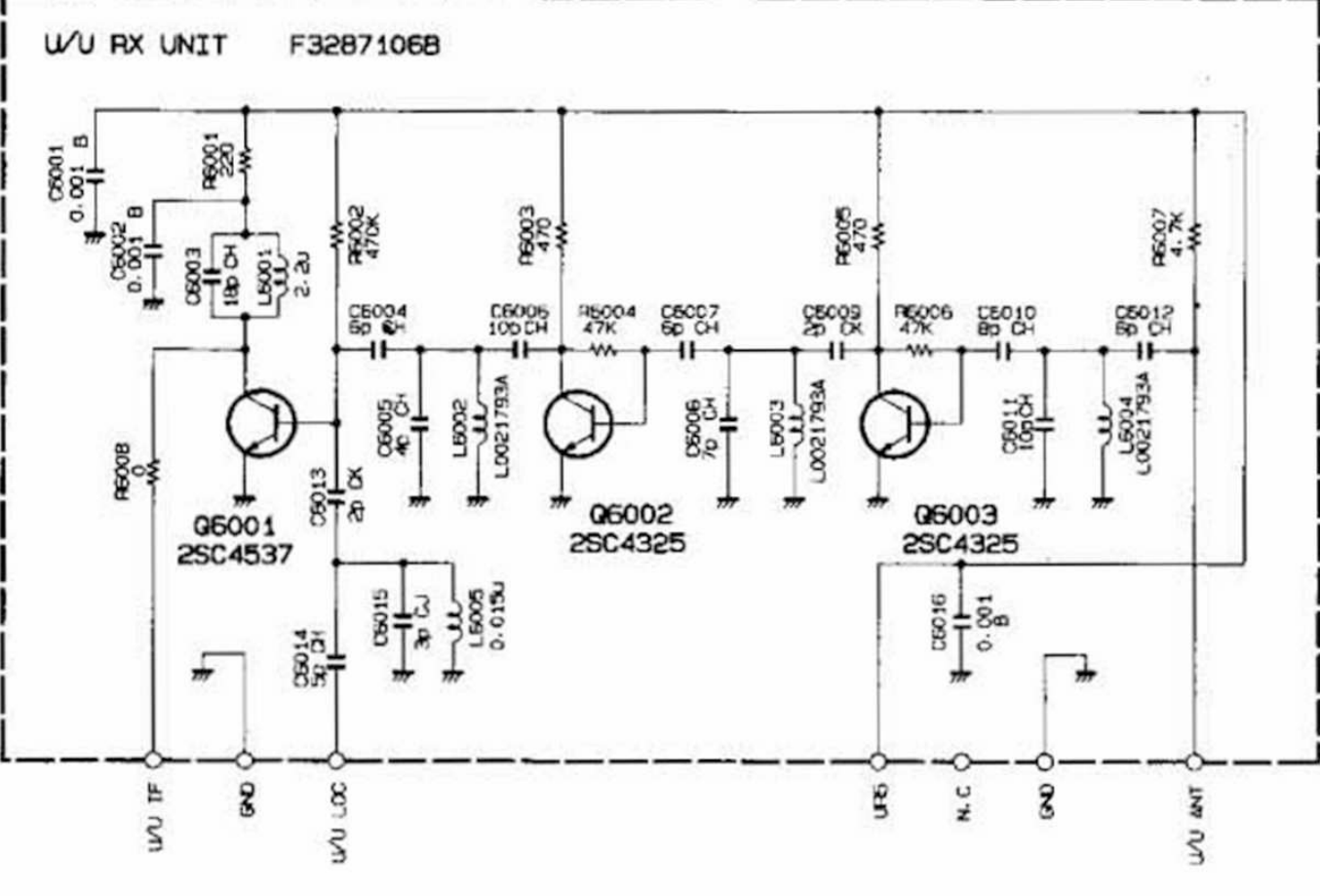
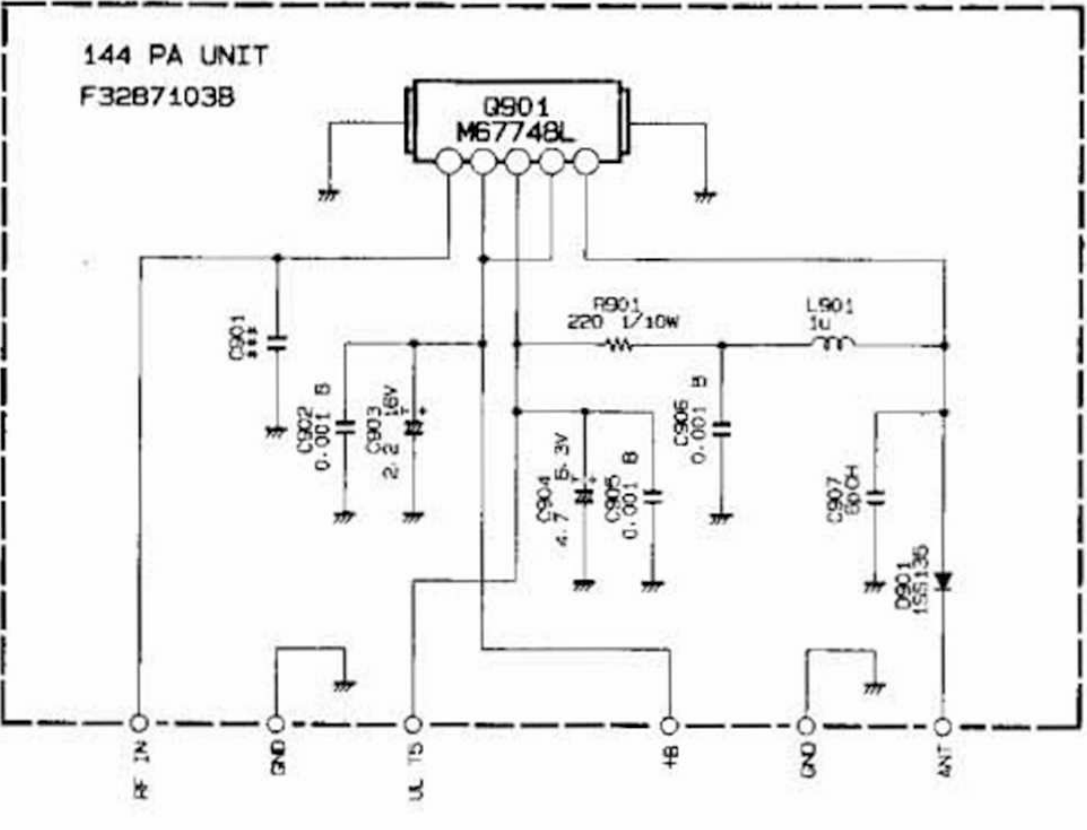
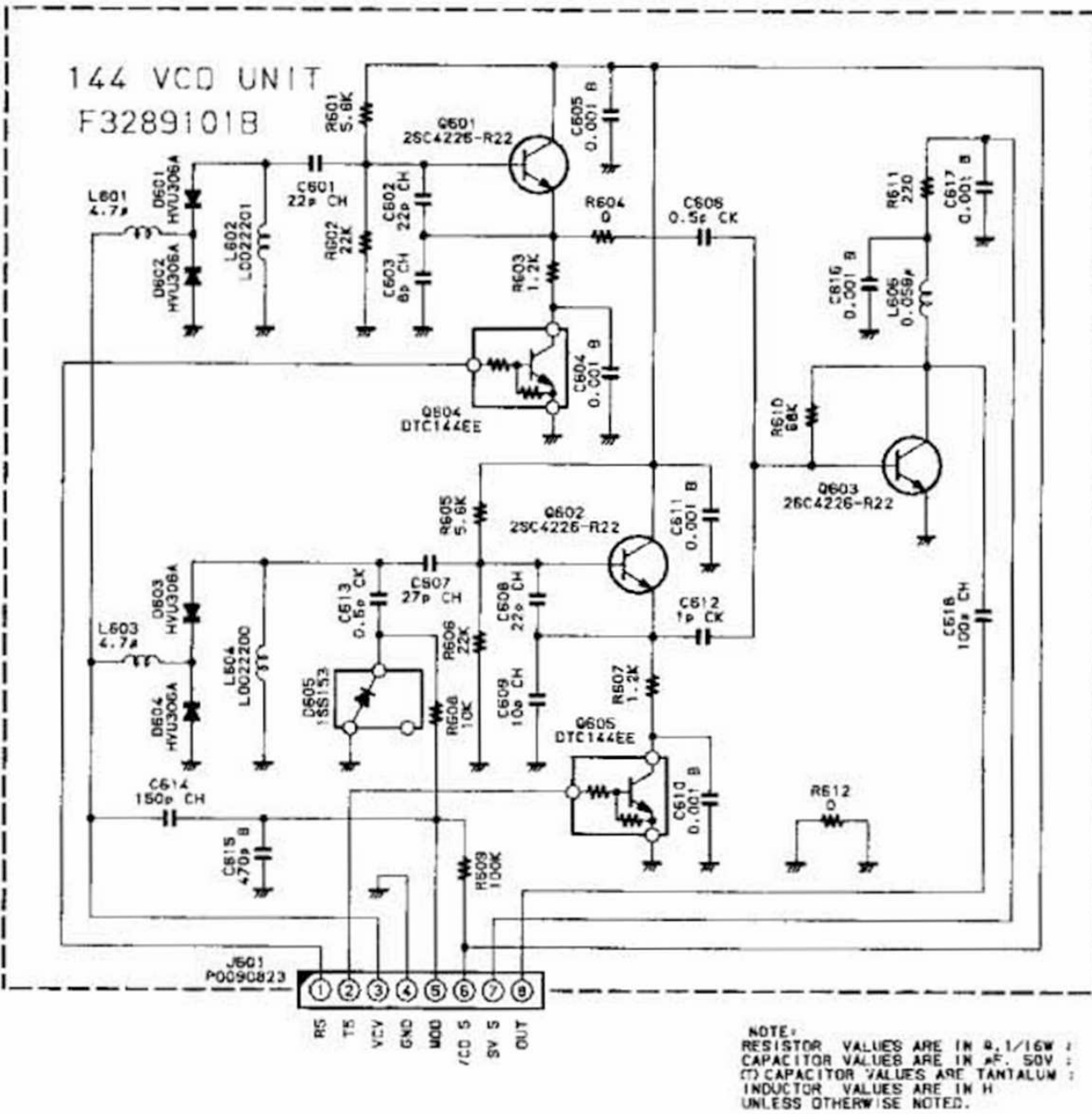


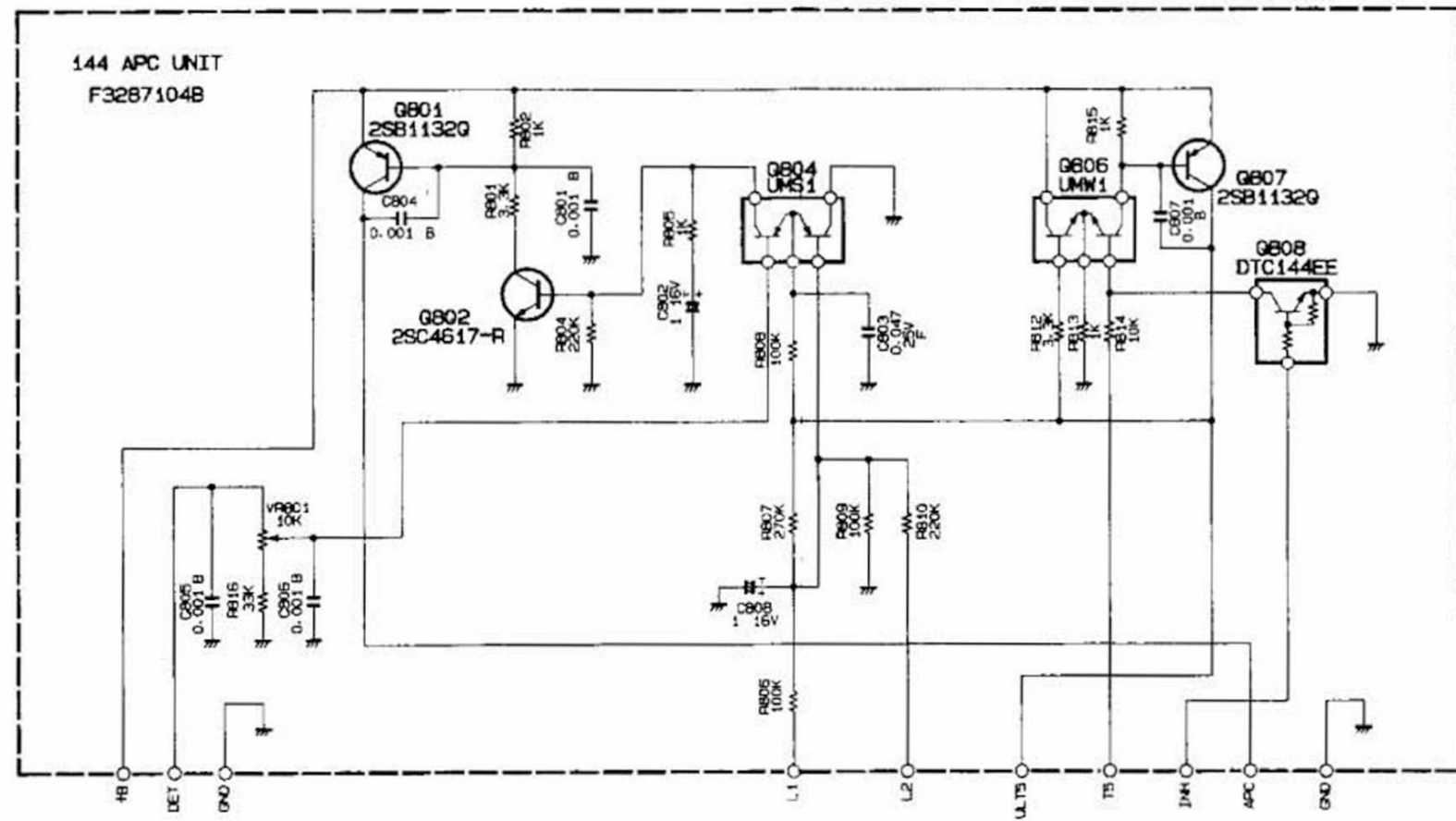
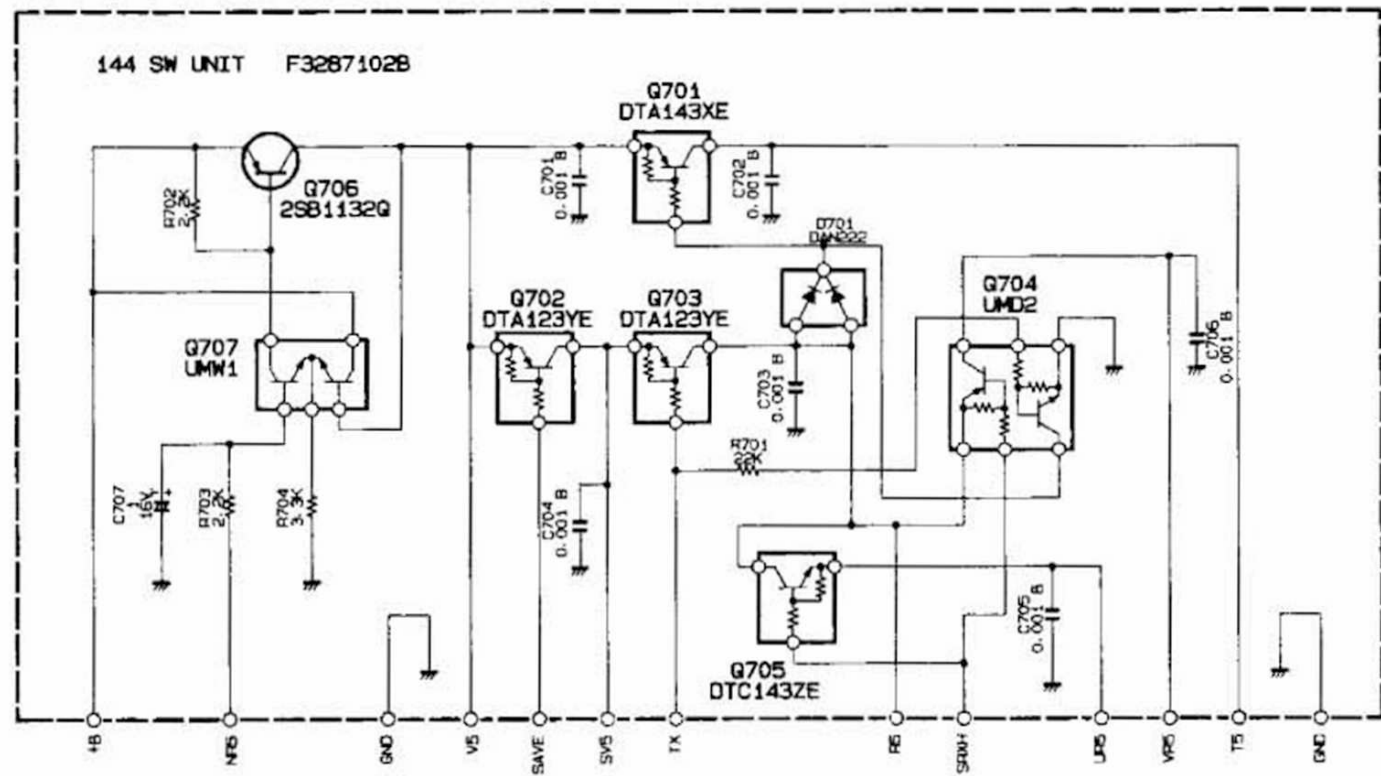
144 MOTHER UNIT F3287101B

STB
UL
L2
TX
DATA
L1
DET
TEMP
SCAN
NRS
WOO
FM
GND



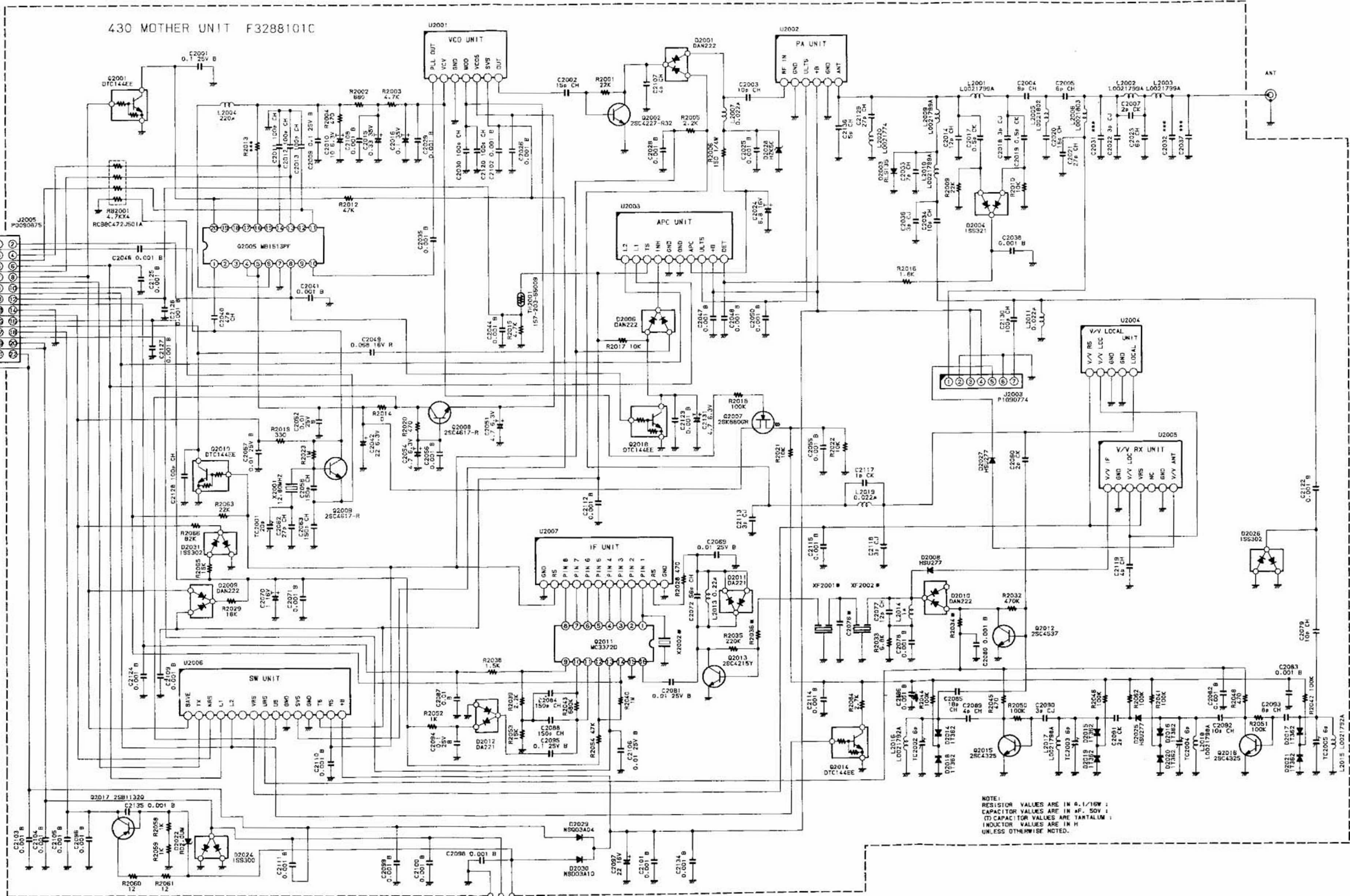
NOTE:
RESISTOR VALUES ARE IN Ω, 10Ω, 100Ω, 1K, 10K, 100K, 1M, 10M, 100M, 1G, UNLESS OTHERWISE NOTED.
CAPACITOR VALUES ARE IN pF, nF, μF, 50V, UNLESS OTHERWISE NOTED.
INDUCTOR VALUES ARE IN nH, μH, mH, H, UNLESS OTHERWISE NOTED.





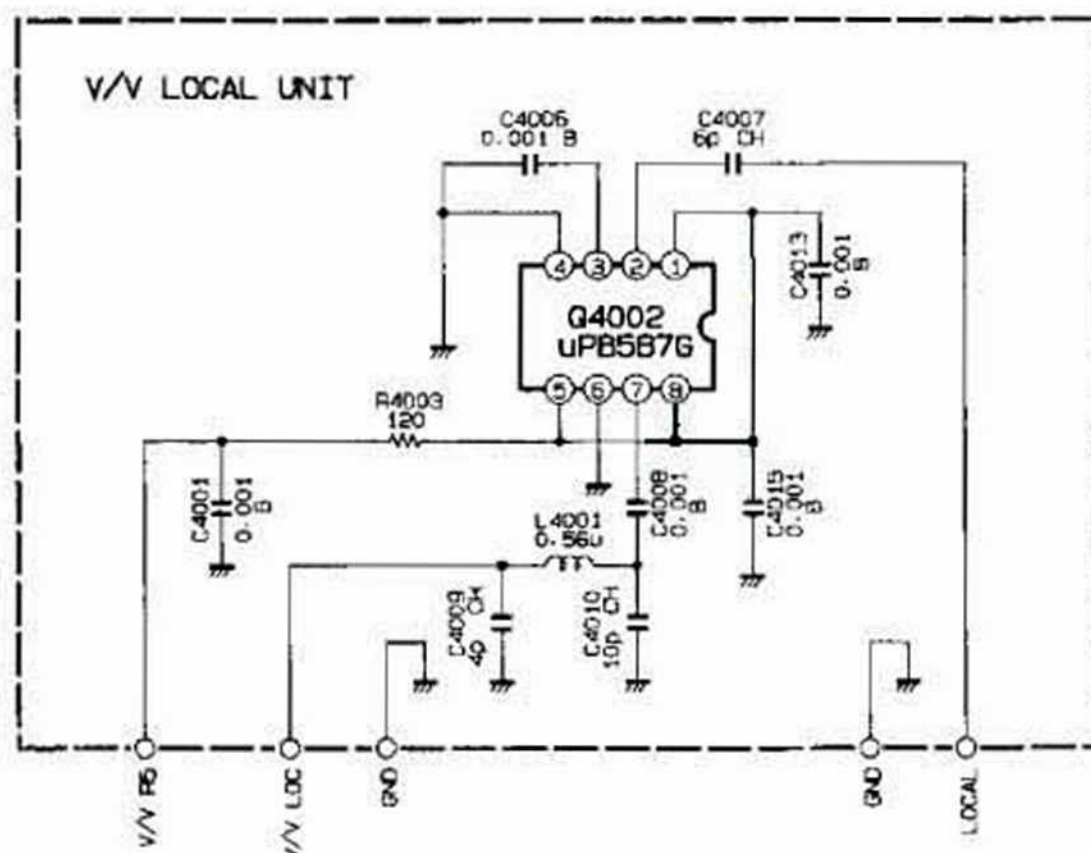
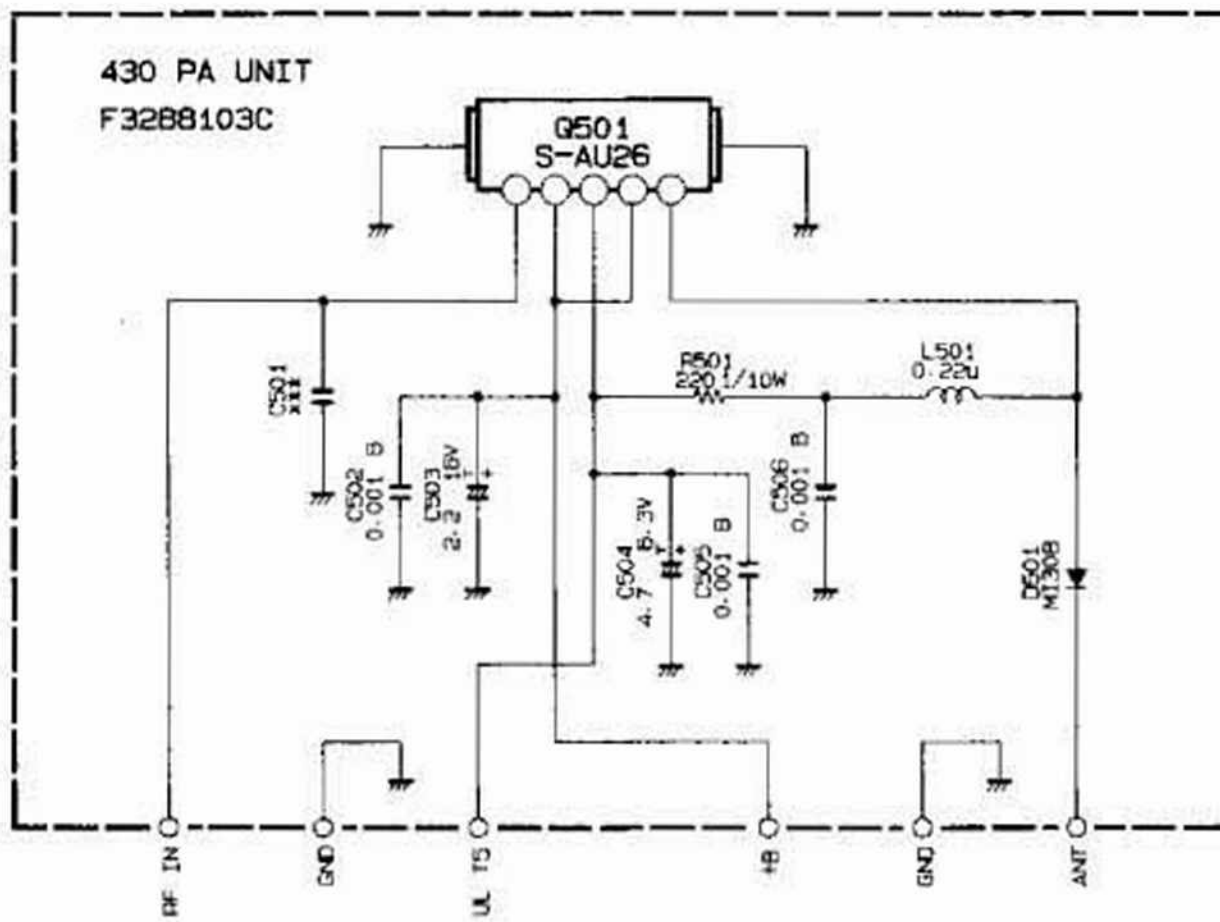
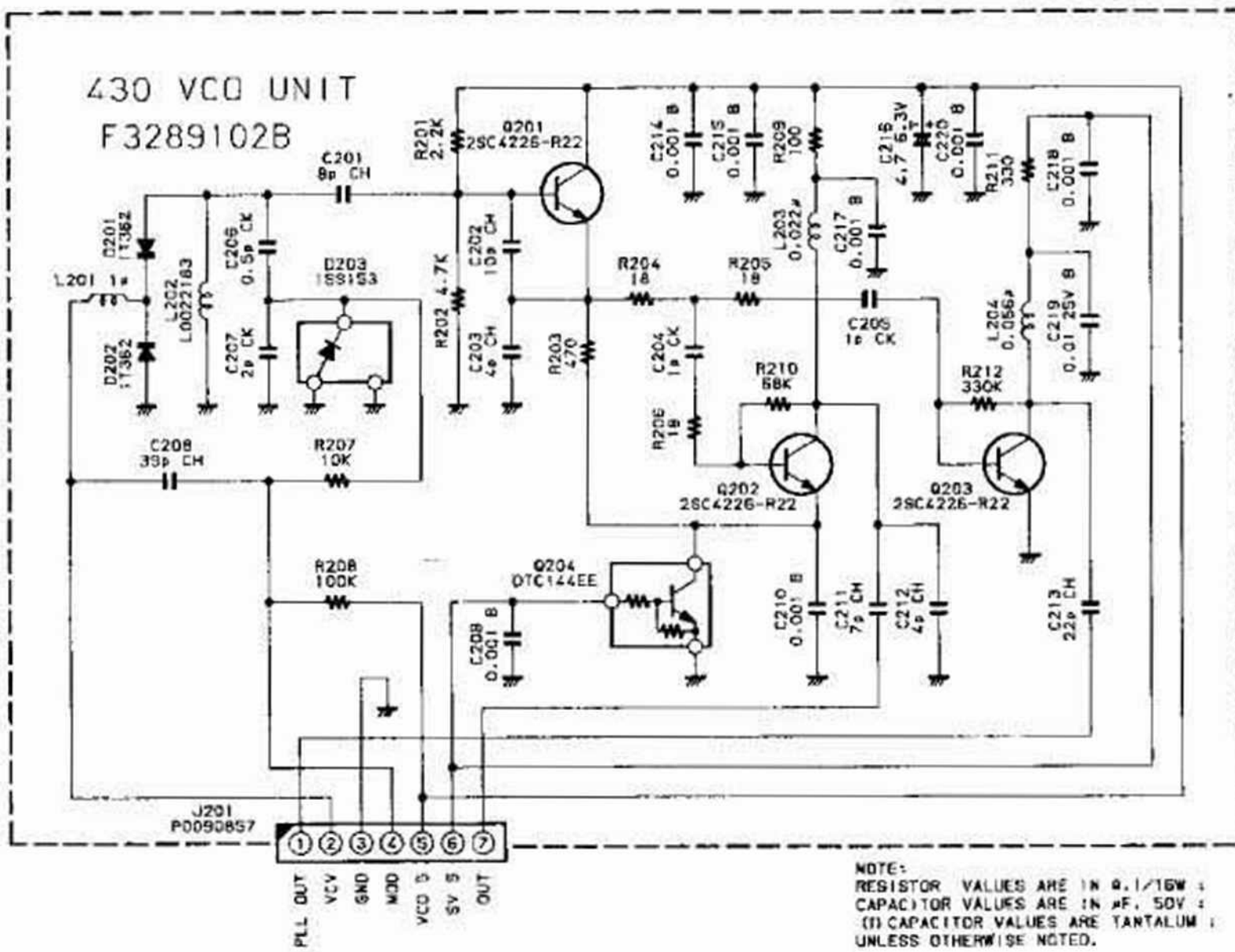
430 MOTHER UNIT F3288101C

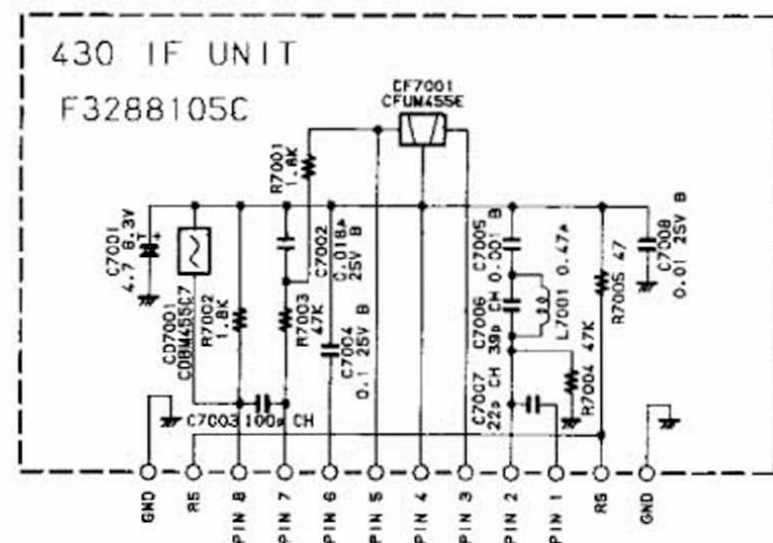
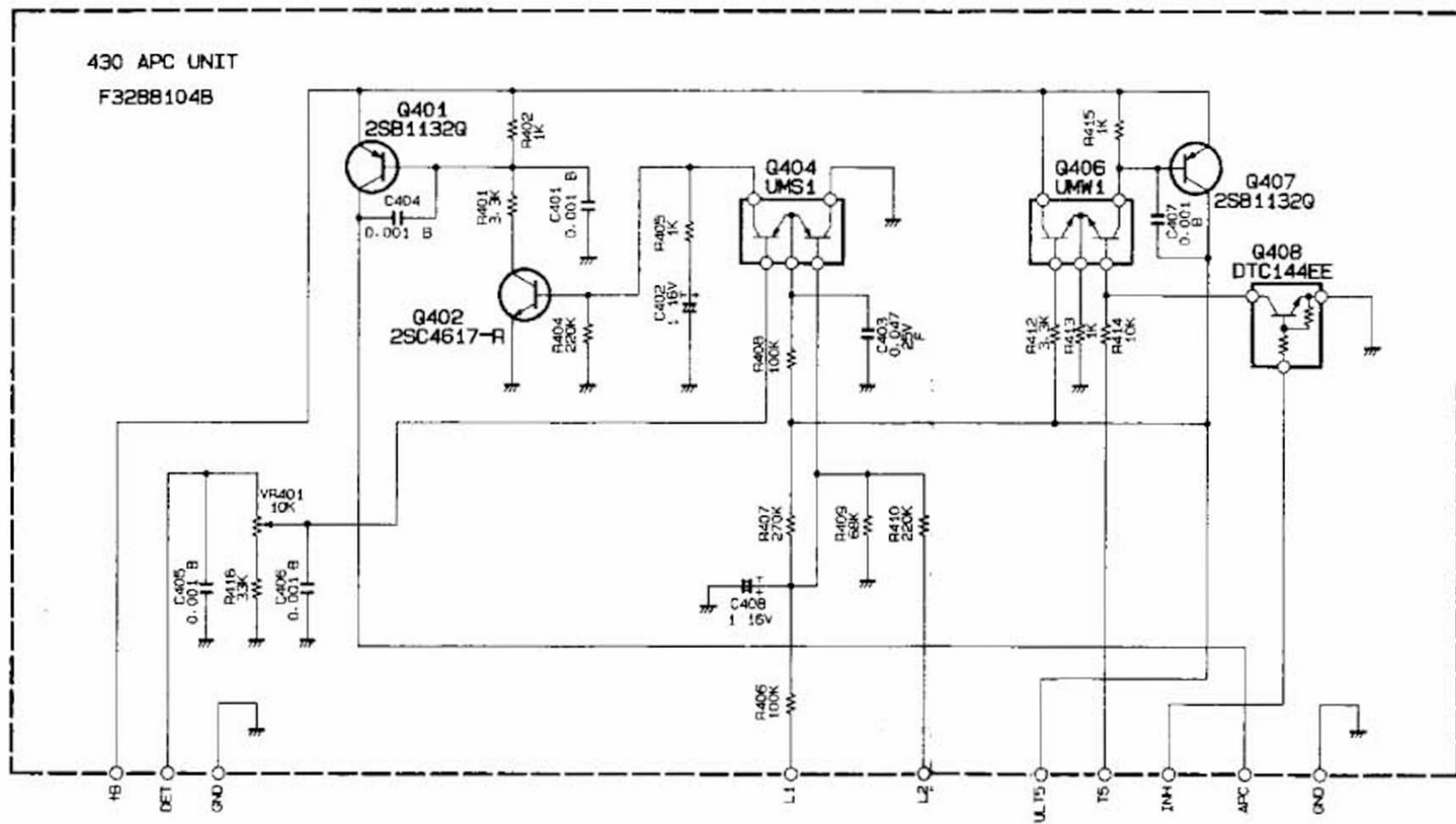
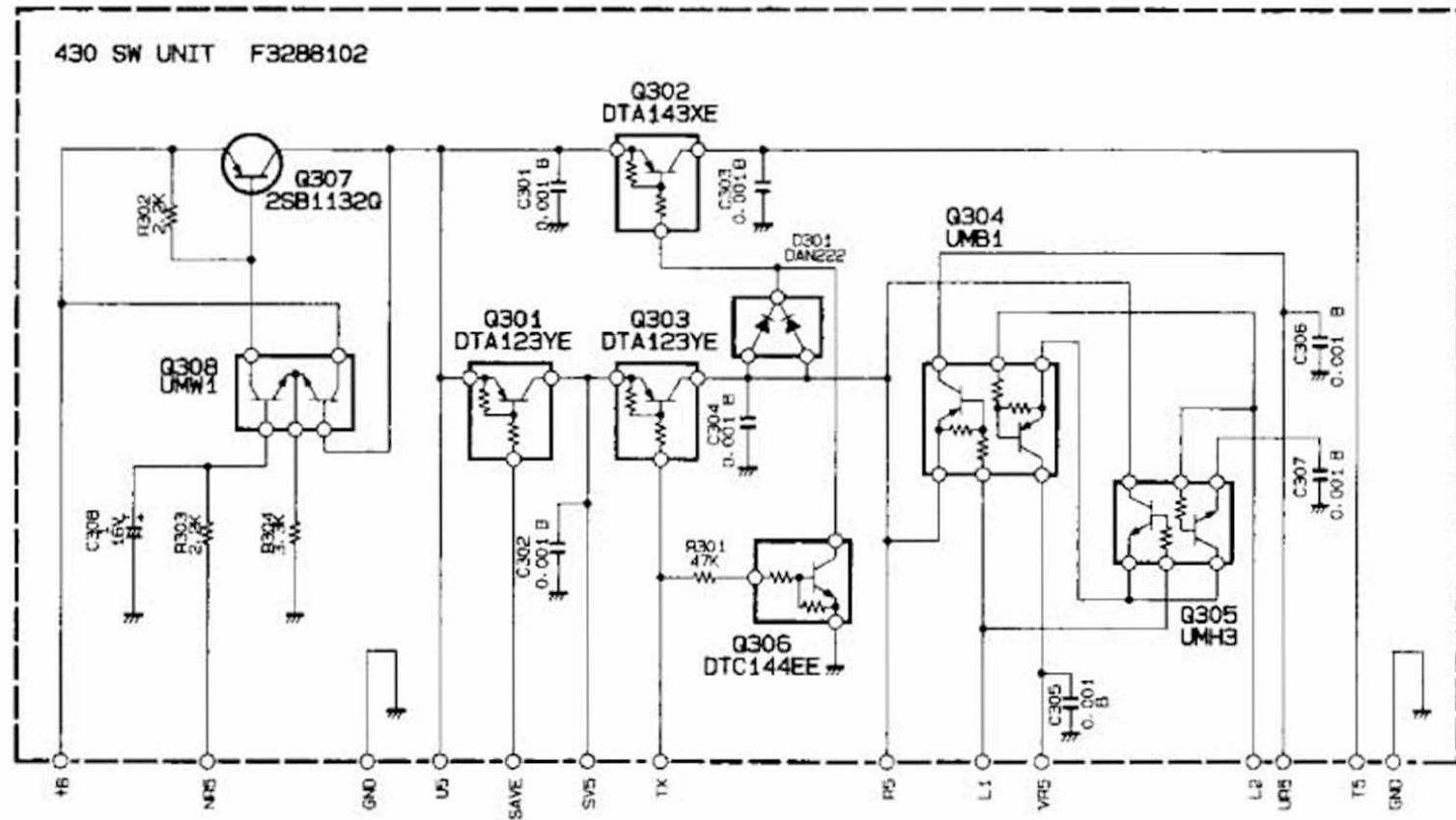
- 12.8MHz
- CLOCK
- DATA
- TX
- L1
- SAVE
- SCAN
- L2
- DET
- TEMP
- NRS
- GND
- MDD
- SIG
- SR
- CHG



NOTE: RESISTOR VALUES ARE IN Ω , 1/10W ; CAPACITOR VALUES ARE IN μ F, 50V ; Ω CAPACITOR VALUES ARE TANTALUM ; INDUCTOR VALUES ARE IN H UNLESS OTHERWISE NOTED.

TYP	IF	C2076	R2034	R2036	XF2001.2	X2002
JPN, EU	44.775MHz	9p	1K	680	44M2B	45.23MHz
USA	47.225MHz	15p	680	470	47G15B4F	47.68MHz





NOTE:
 RESISTOR VALUES ARE IN Ω, 1/16W ;
 CAPACITOR VALUES ARE IN μF, 50V ;
 (T) CAPACITOR VALUES ARE TANTALUM ;
 UNLESS OTHERWISE NOTED.