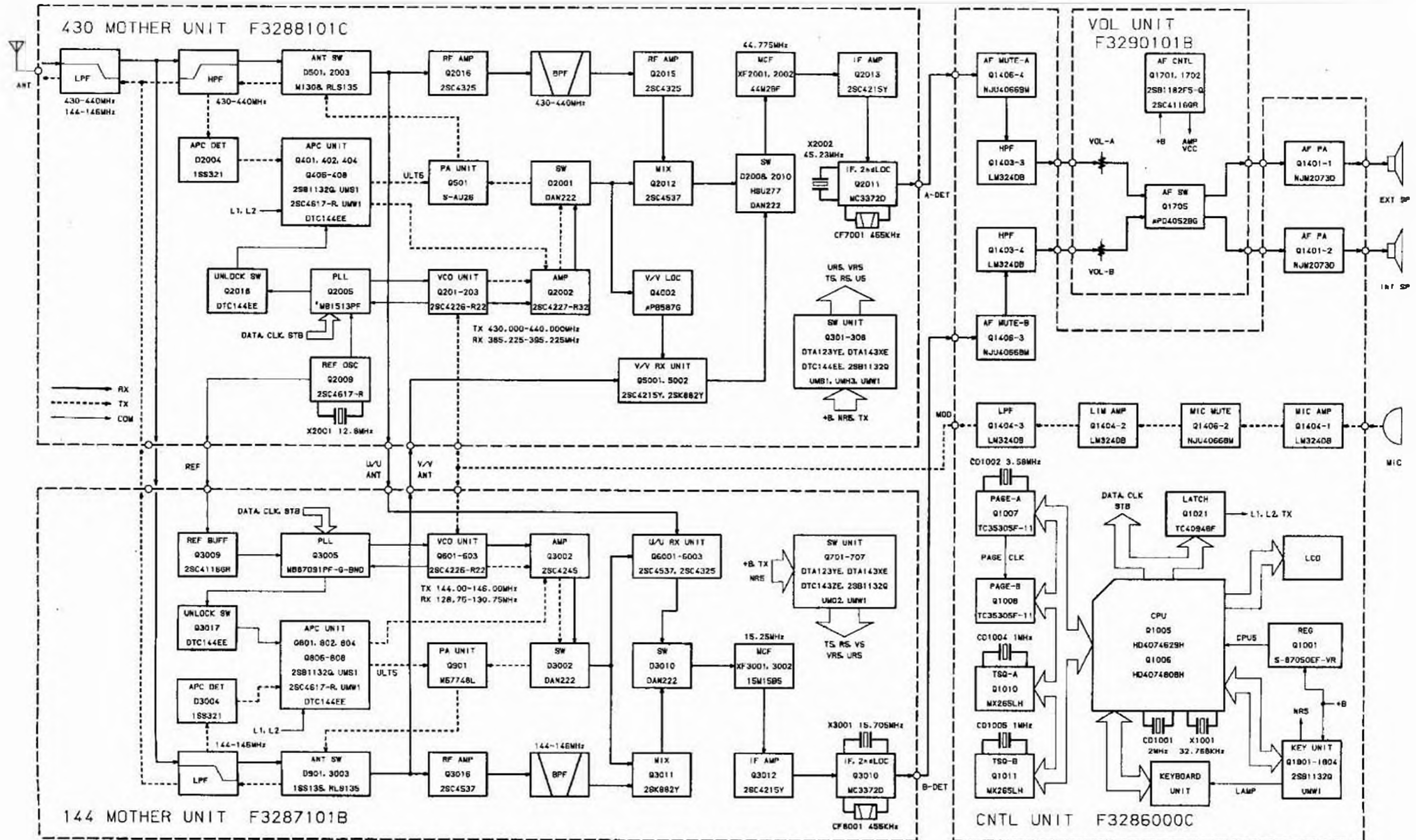
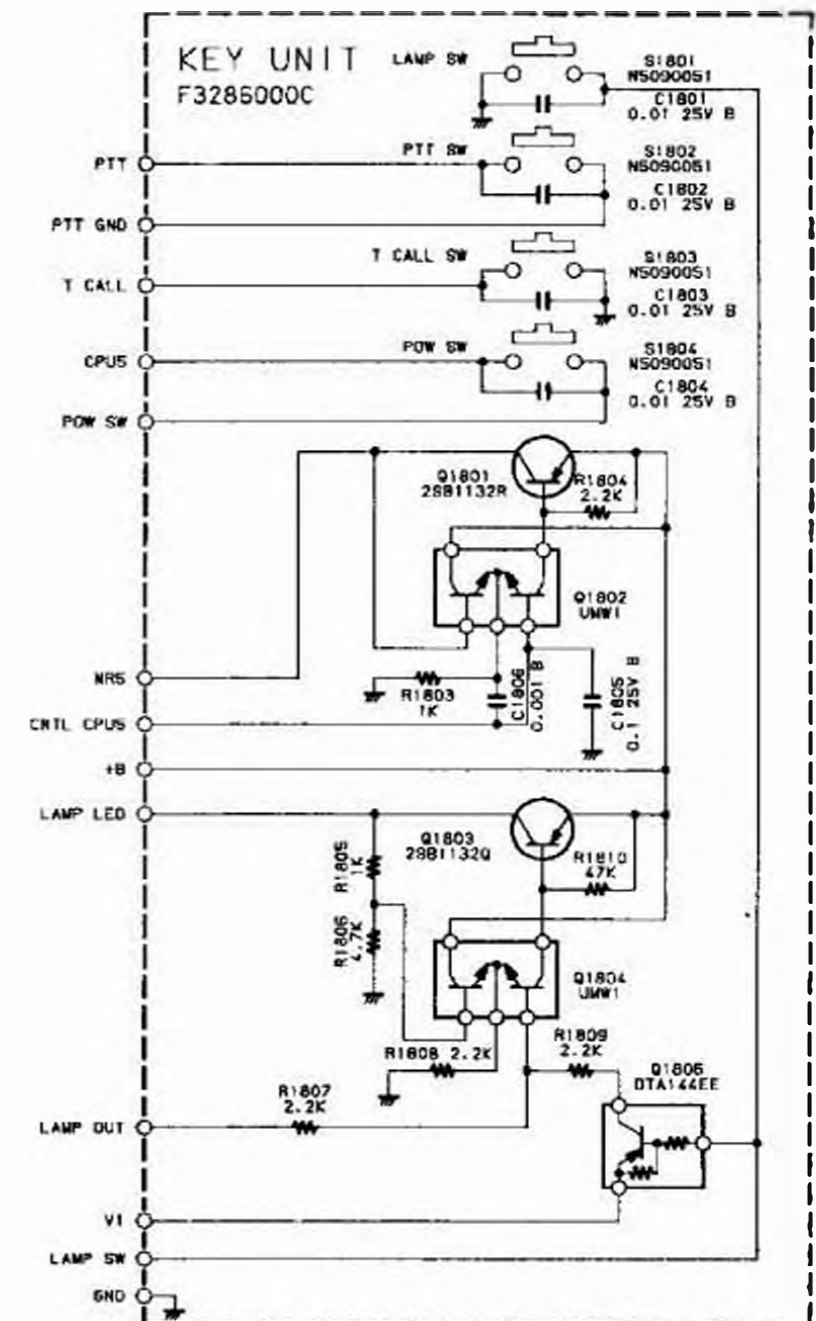
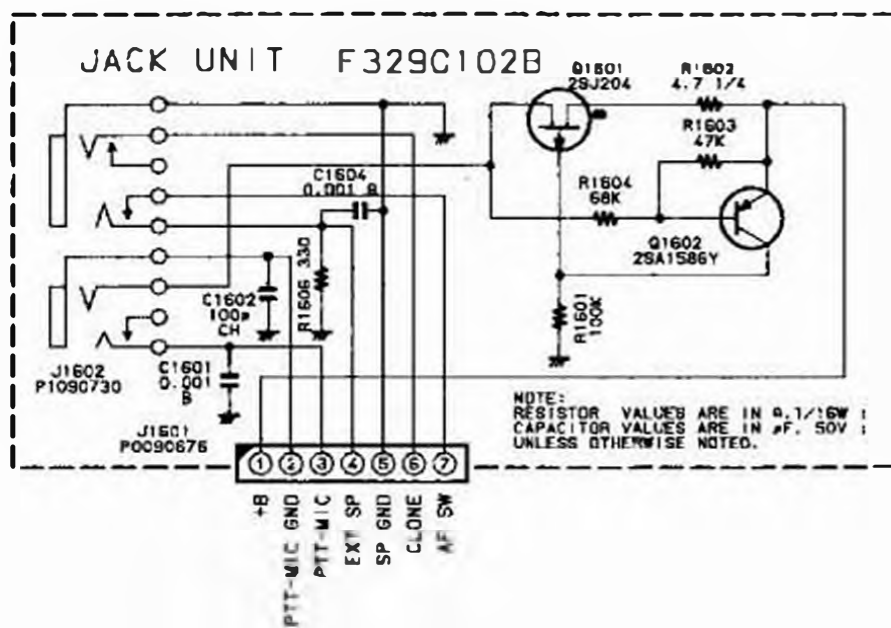
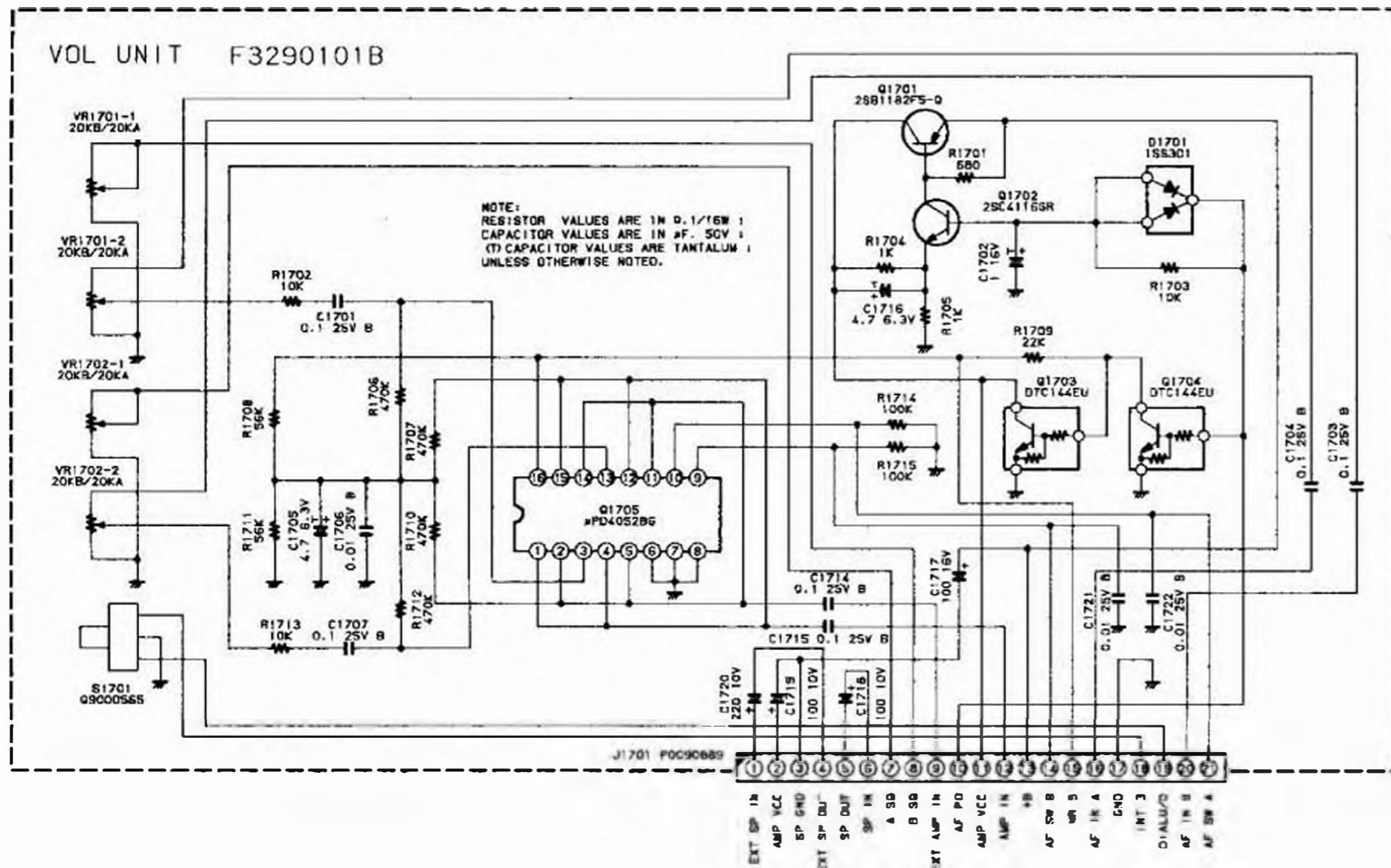


FT-530 Circuit Diagrams



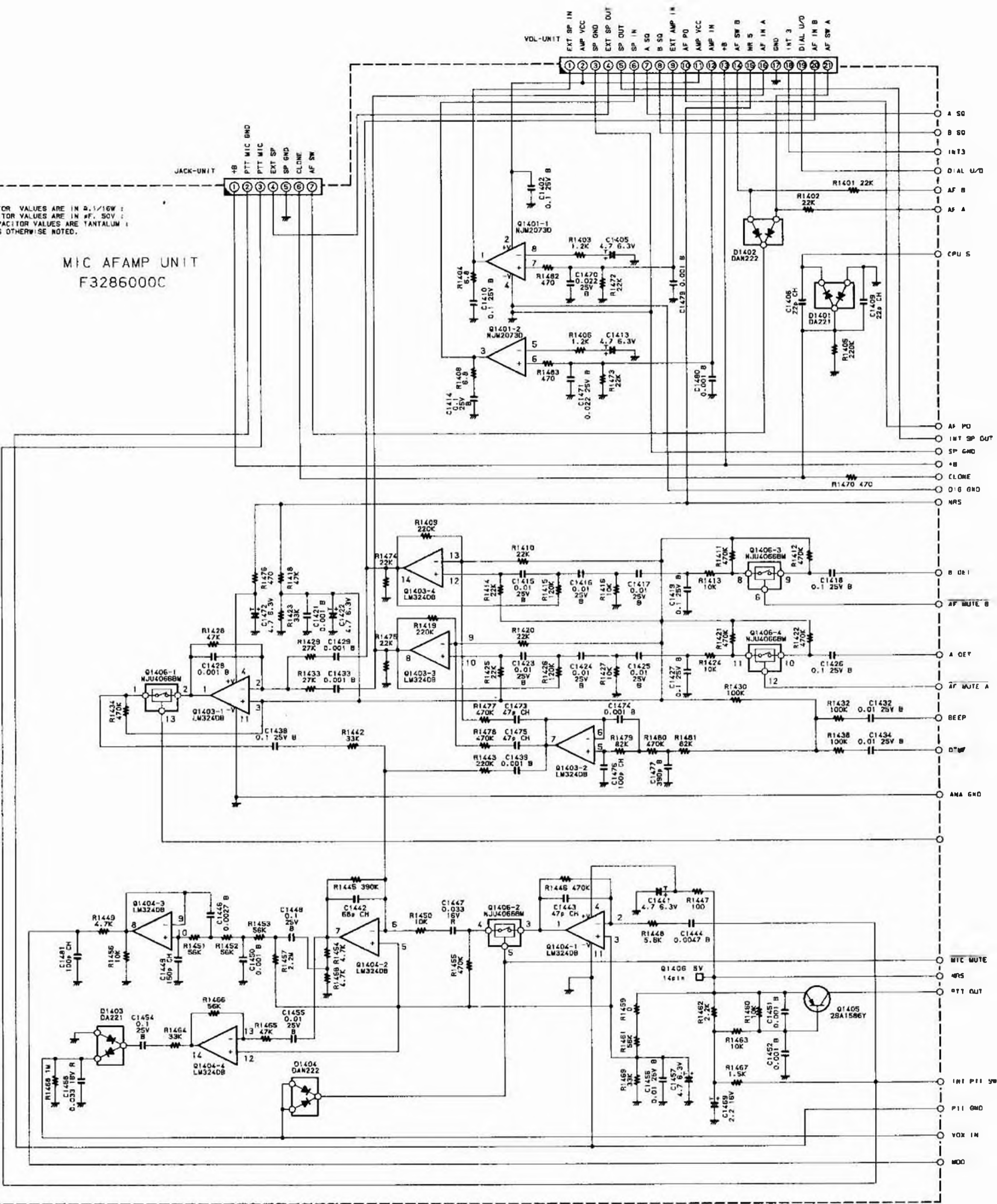


YAESU MUSEN CO., LTD.

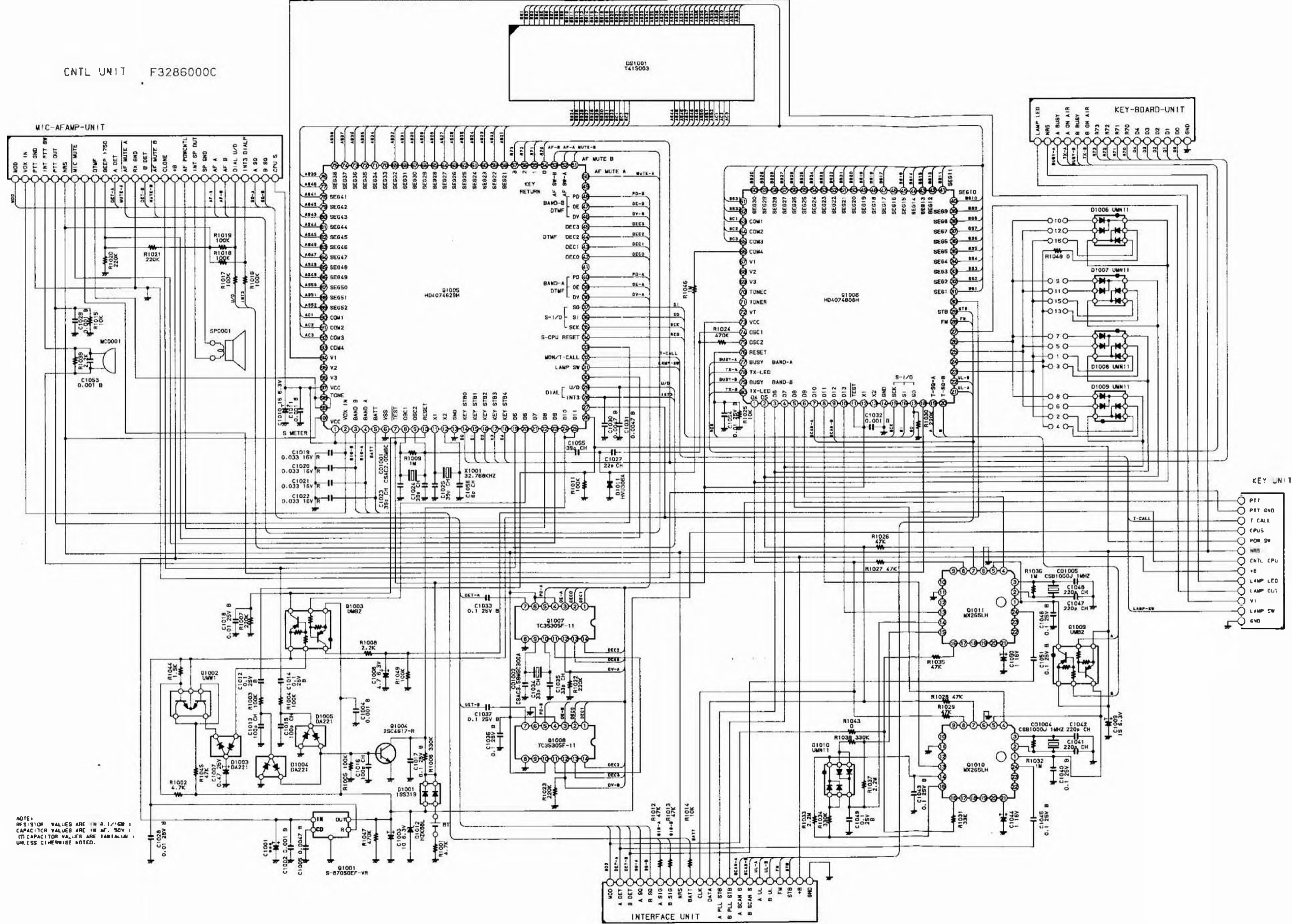
E03171200

NOTE:
RESISTOR VALUES ARE IN Ω , $\frac{1}{16}W$;
CAPACITOR VALUES ARE IN μF , 50V ;
(T) CAPACITOR VALUES ARE TANTALUM ;
UNLESS OTHERWISE NOTED.

MIC AFAMP UNIT F3286000C

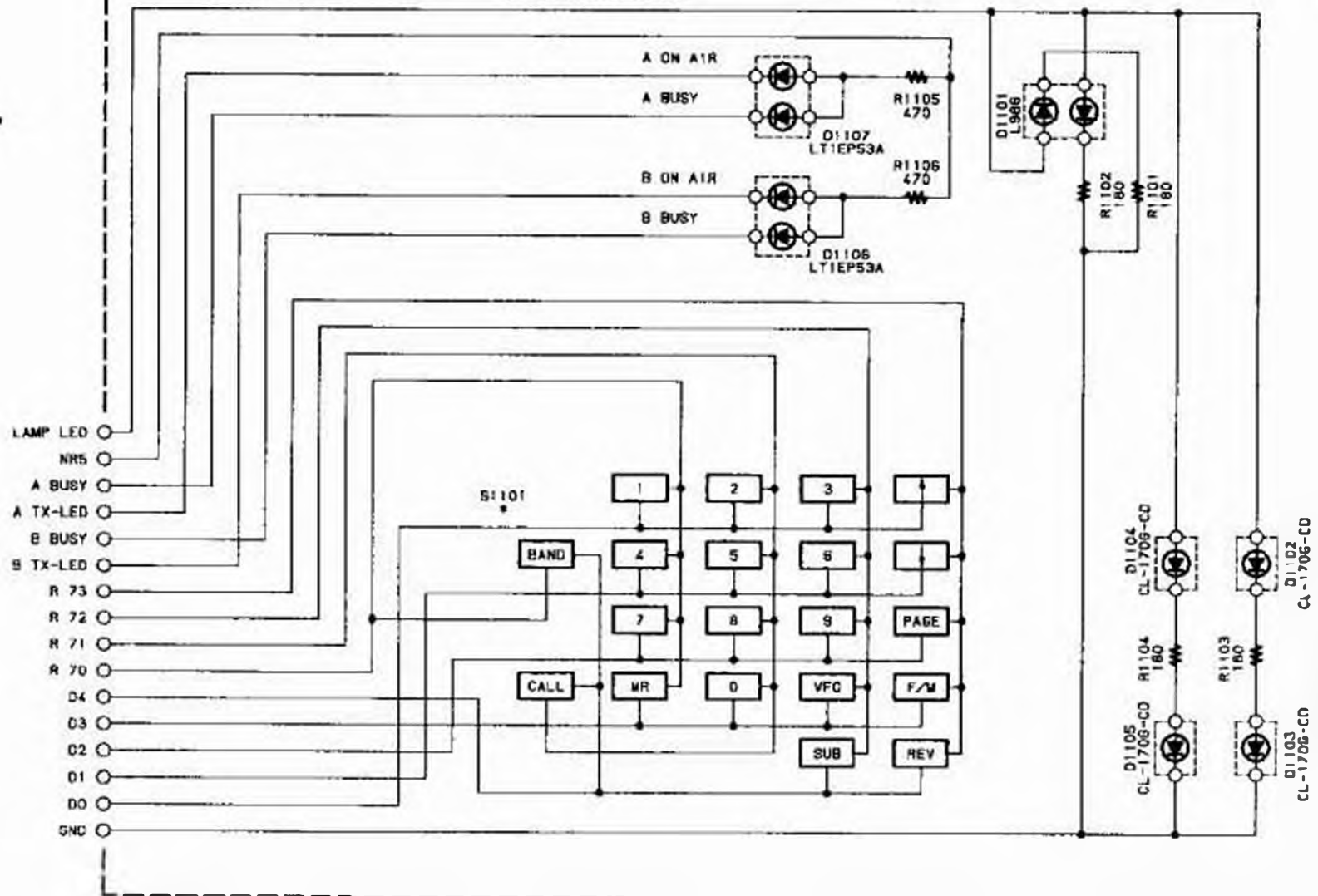


CNTL UNIT F328600C

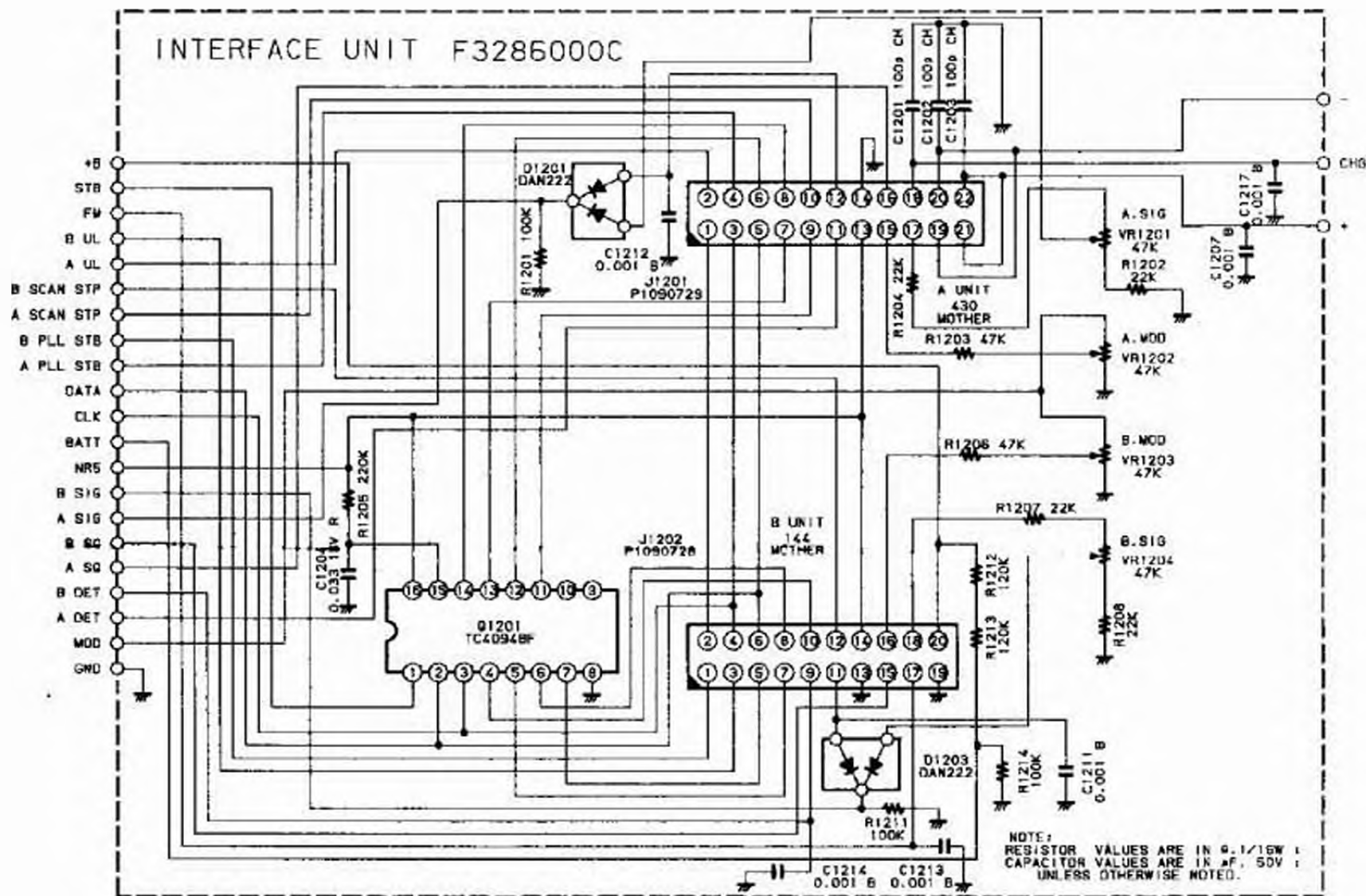


NOTE:
RESISTOR VALUES ARE IN OHMS
CAPACITOR VALUES ARE IN PF. 50V
IF CAPACITOR VALUES ARE TANTALUM
UNLESS OTHERWISE NOTED.

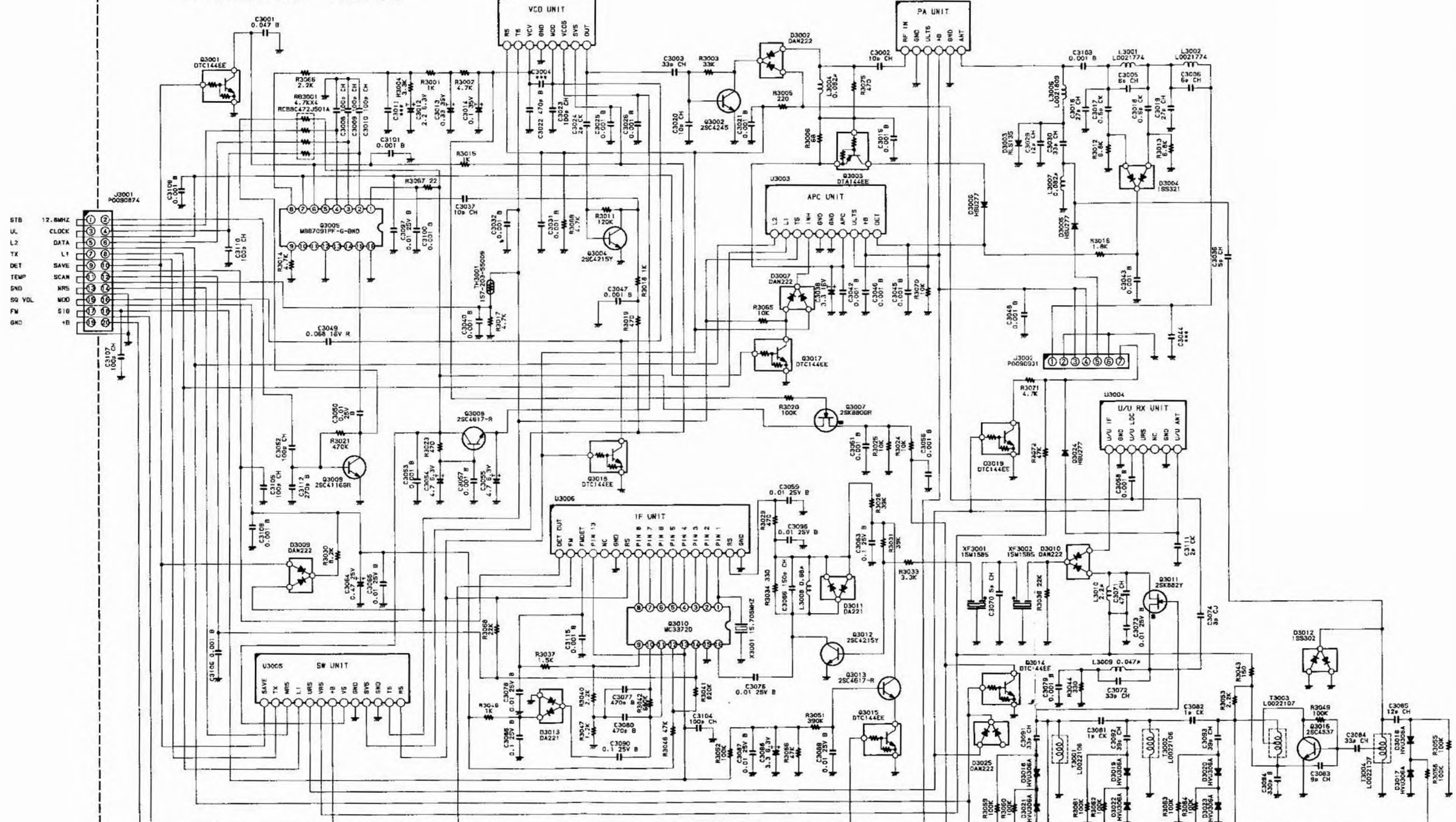
KEYBOARD UNIT F3286000C



INTERFACE UNIT F3286000C

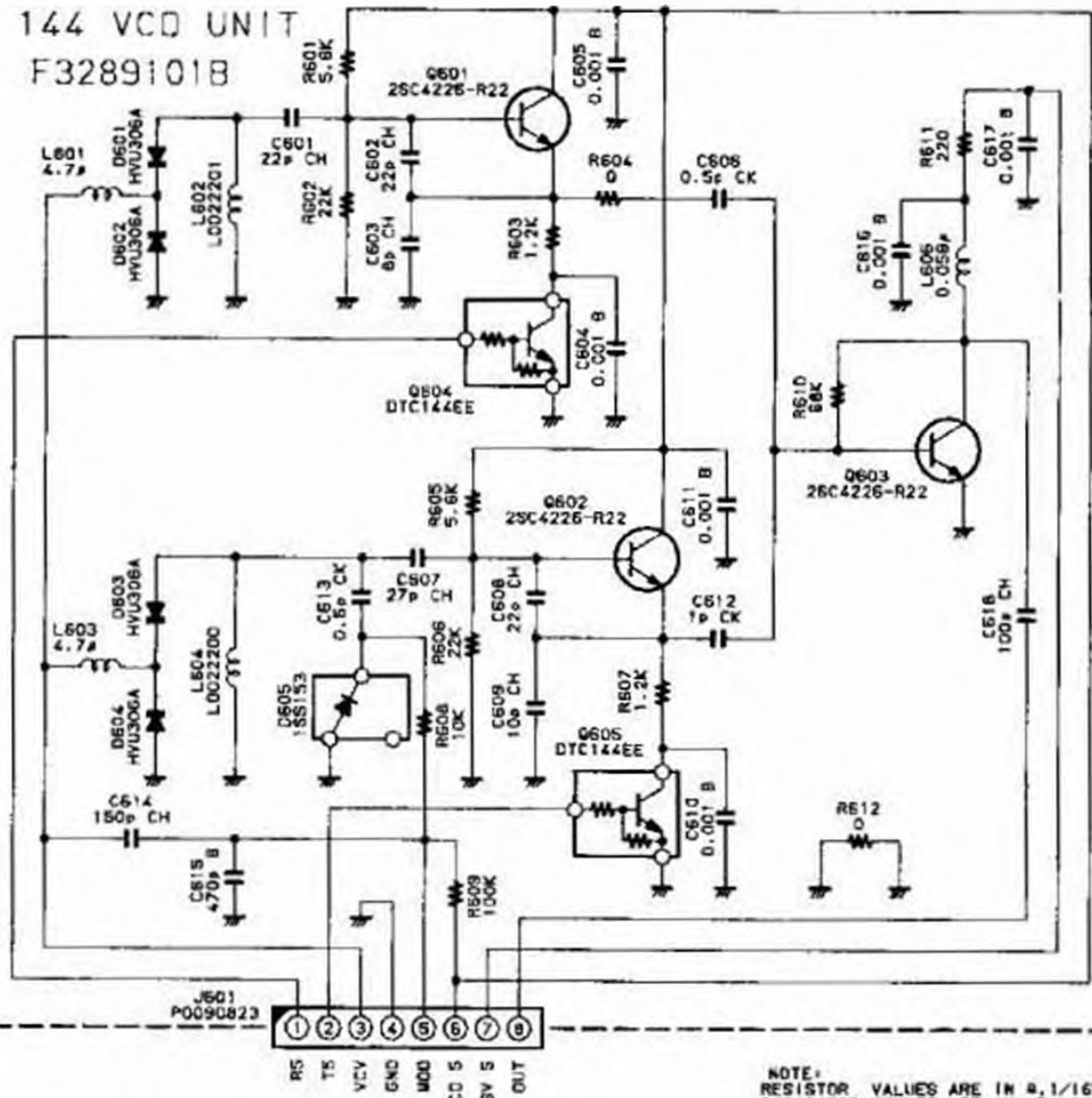


144 MOTHER UNIT F3287101B



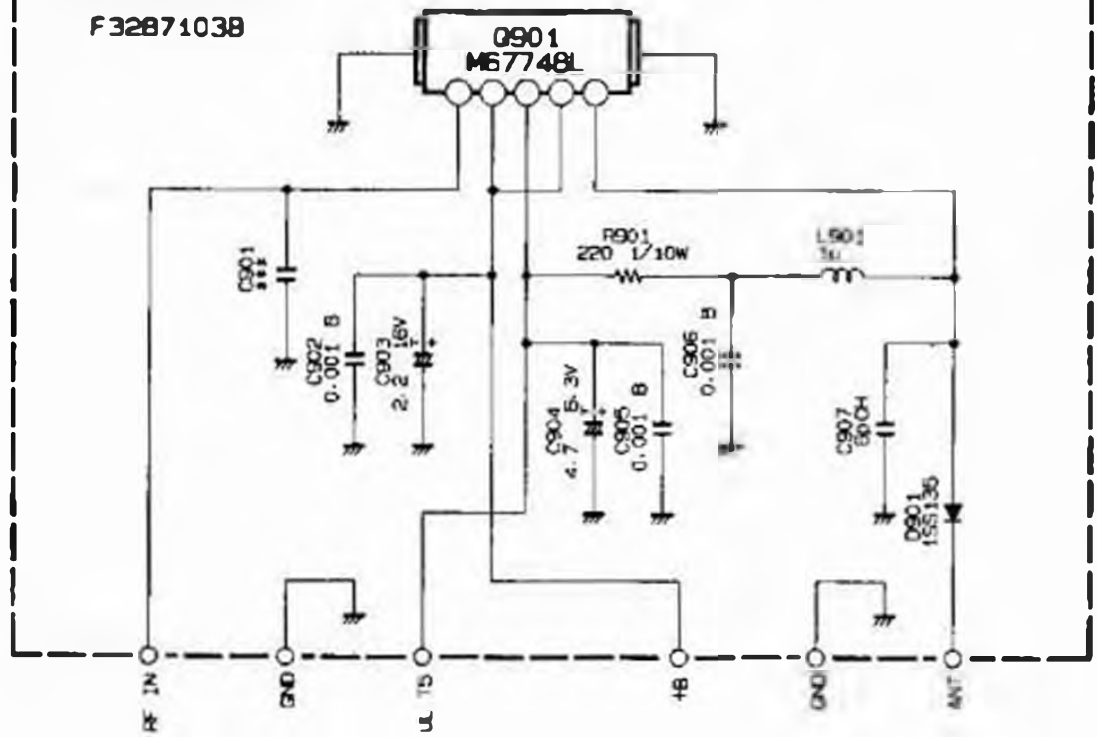
NOTE:
RESISTOR VALUES ARE IN OHMS UNLESS OTHERWISE NOTED.
CAPACITOR VALUES ARE IN P.F., 50V UNLESS OTHERWISE NOTED.
INDUCTOR VALUES ARE IN H.

144 VCD UNIT
F3289101B

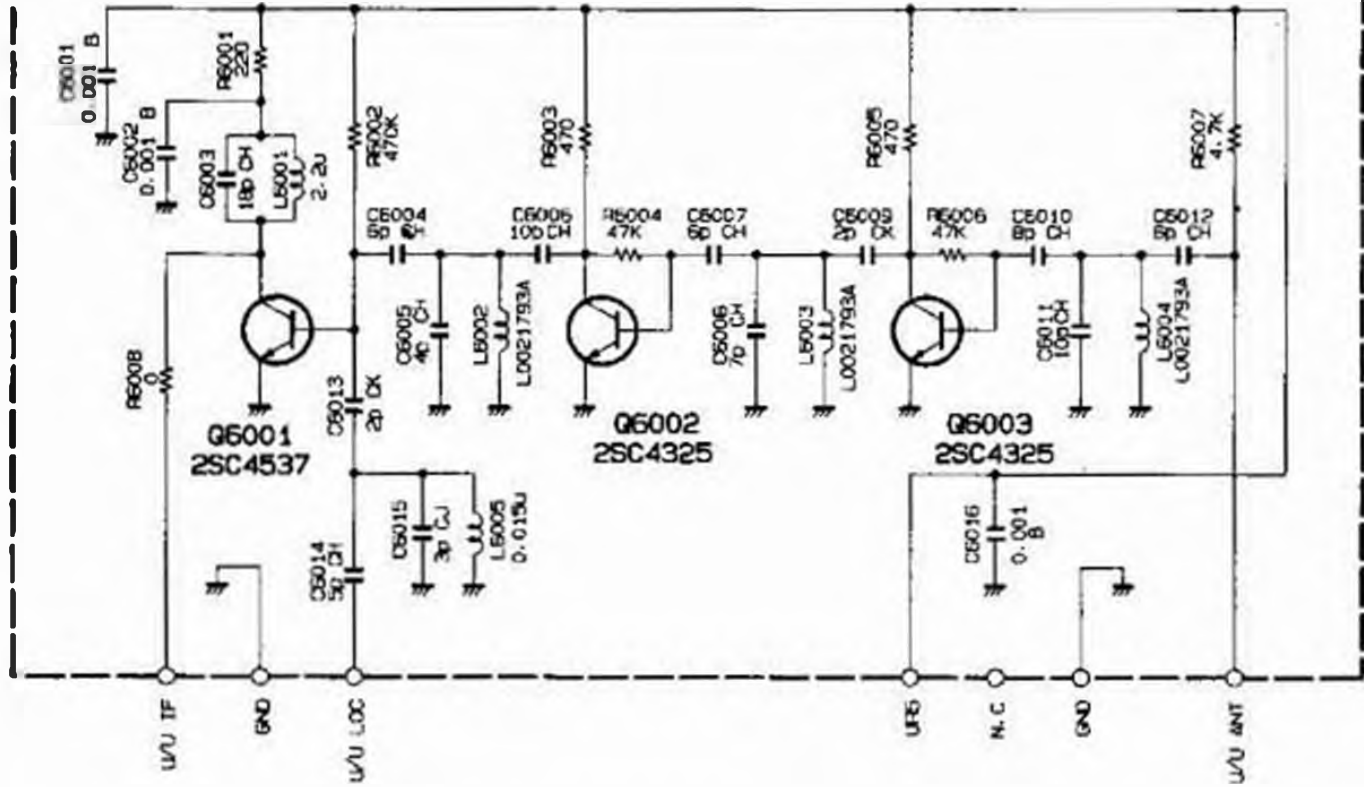


NOTE:
RESISTOR VALUES ARE IN Ω , 1/16W ;
CAPACITOR VALUES ARE IN μ F. 50V ;
(T) CAPACITOR VALUES ARE TANTALUM ;
INDUCTOR VALUES ARE IN M
UNLESS OTHERWISE NOTED.

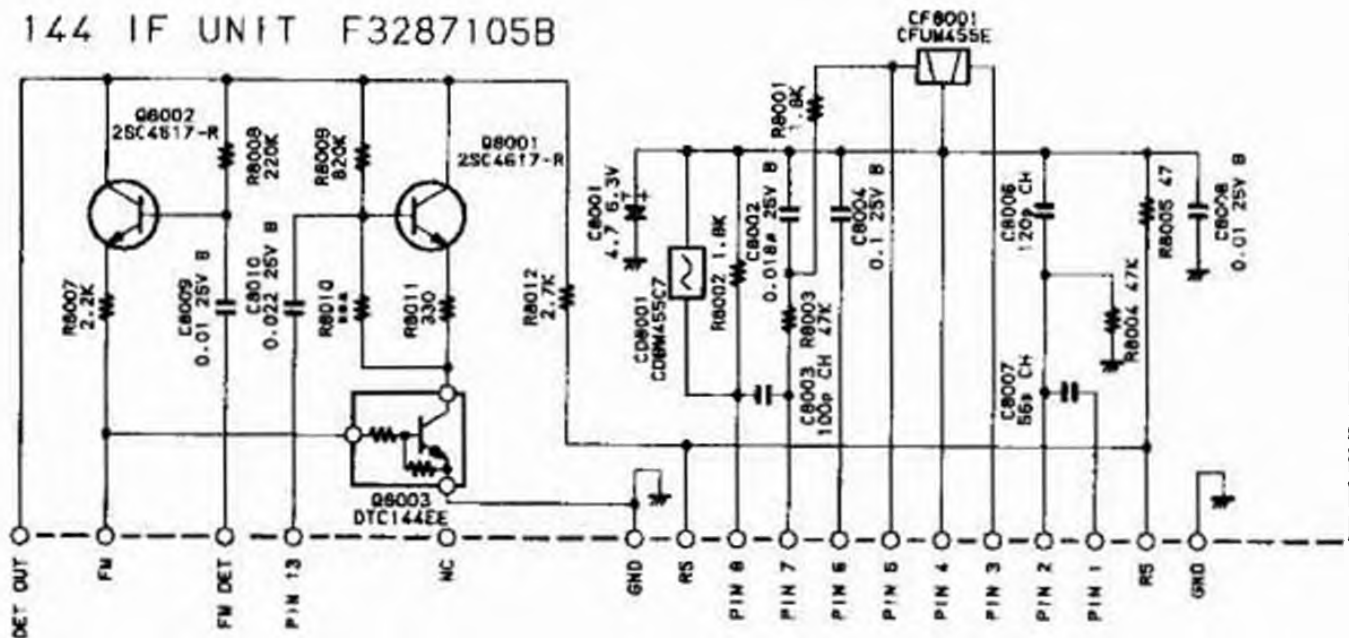
144 PA UNIT
F32871038



WU RX UNIT F32871068



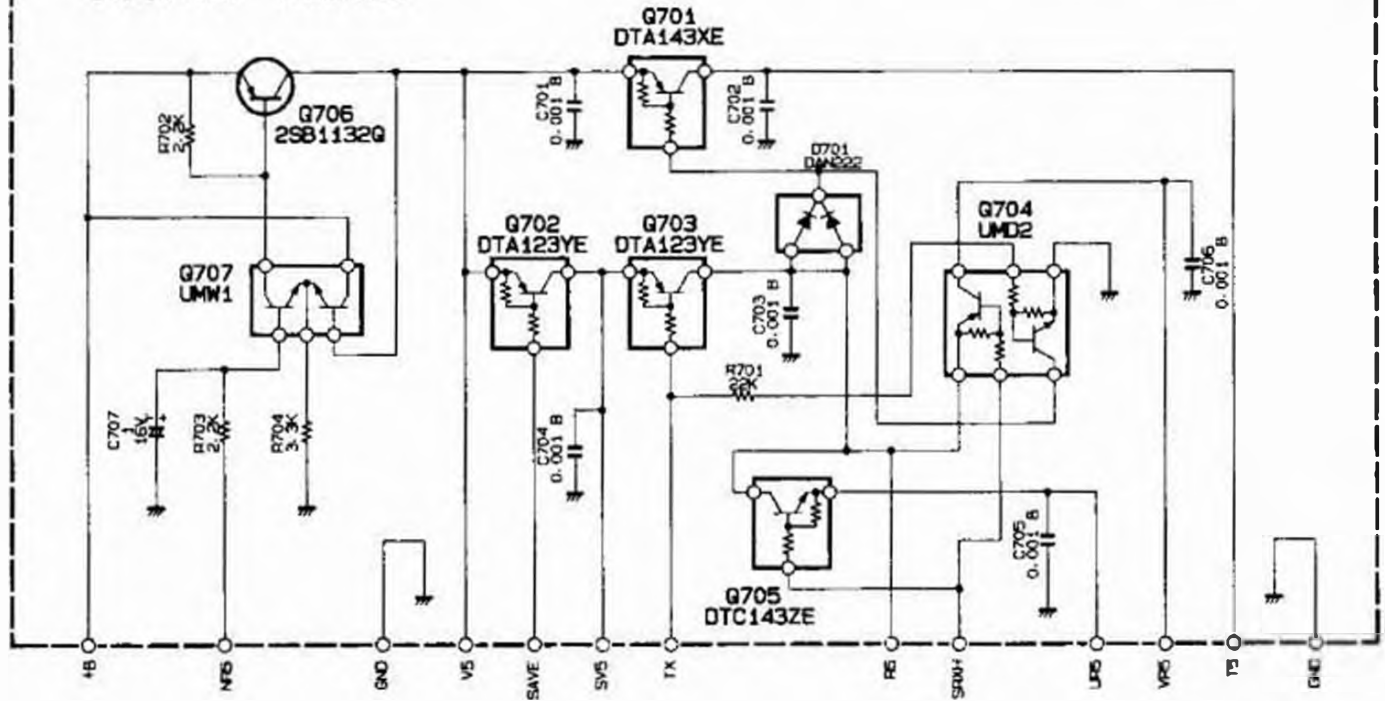
144 IF UNIT F3287105B



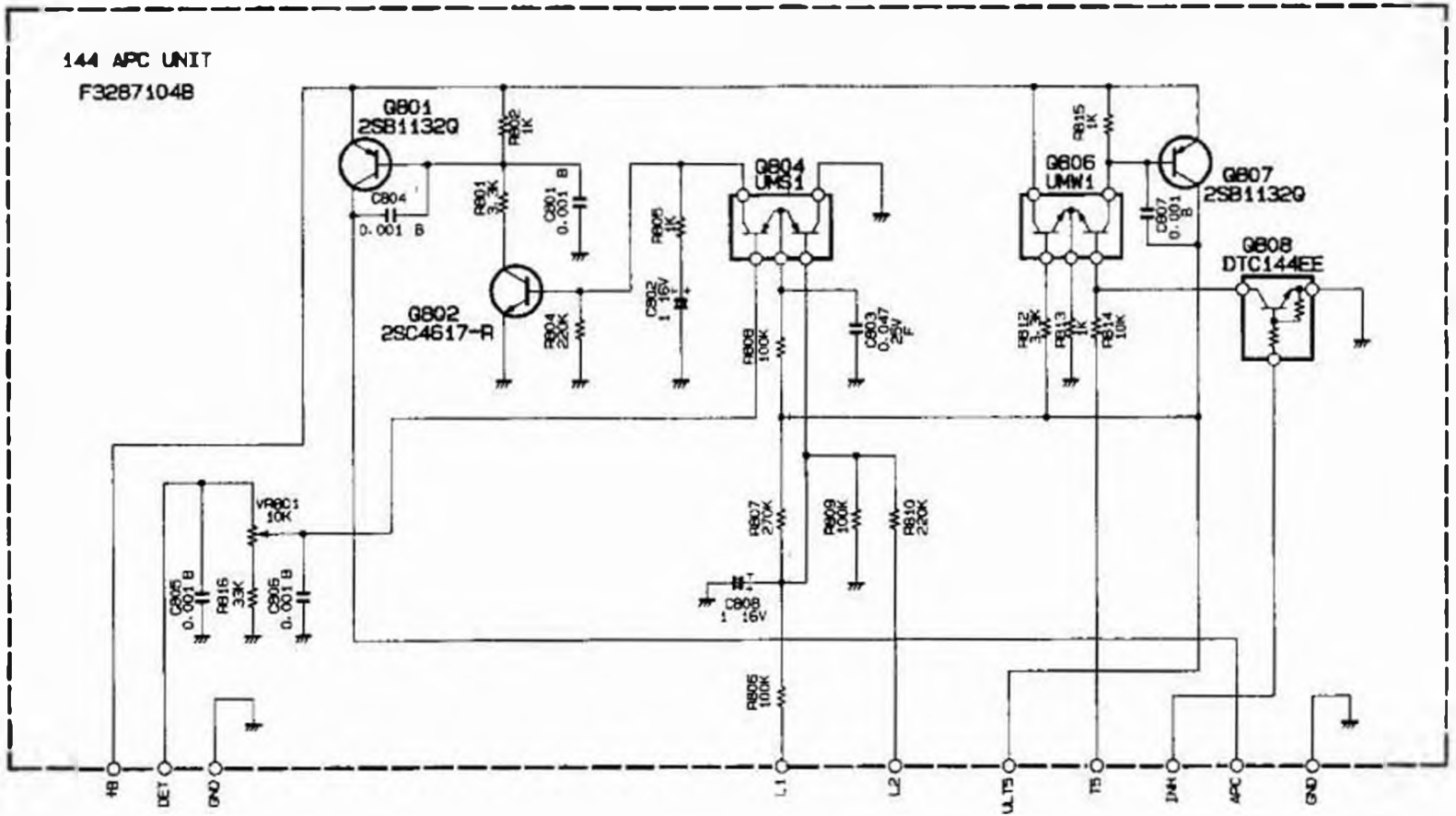
NOTE:

RESISTOR VALUES ARE IN Ω, 1/10Ω,
 CAPACITOR VALUES ARE IN μF, 50V,
 CAPACITOR VALUES ARE TANTALUM,
 UNLESS OTHERWISE NOTED.

144 SW UNIT F3287102B

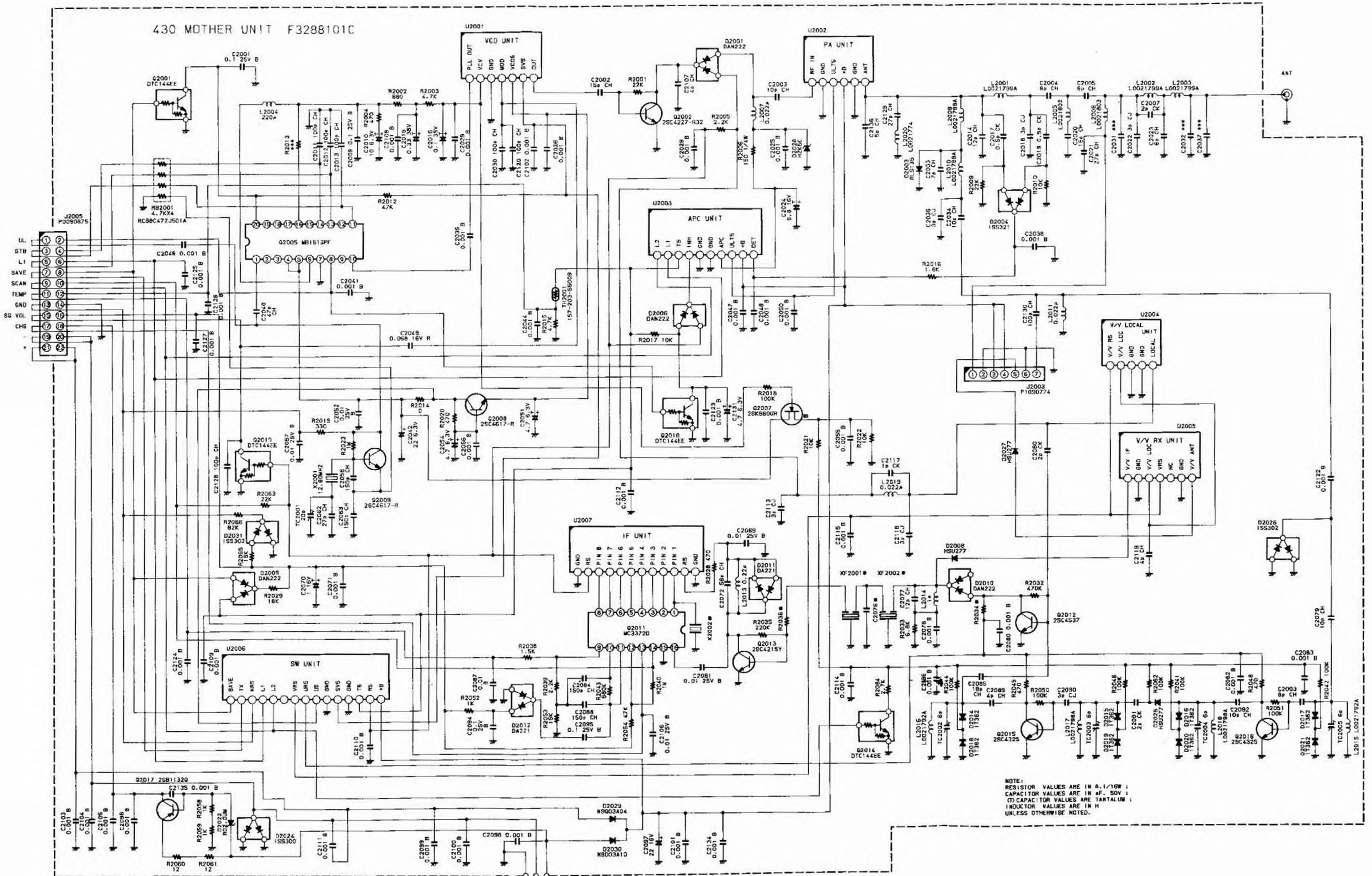


144 APC UNIT
F3287104B



430 MOTHER UNIT F3288101C

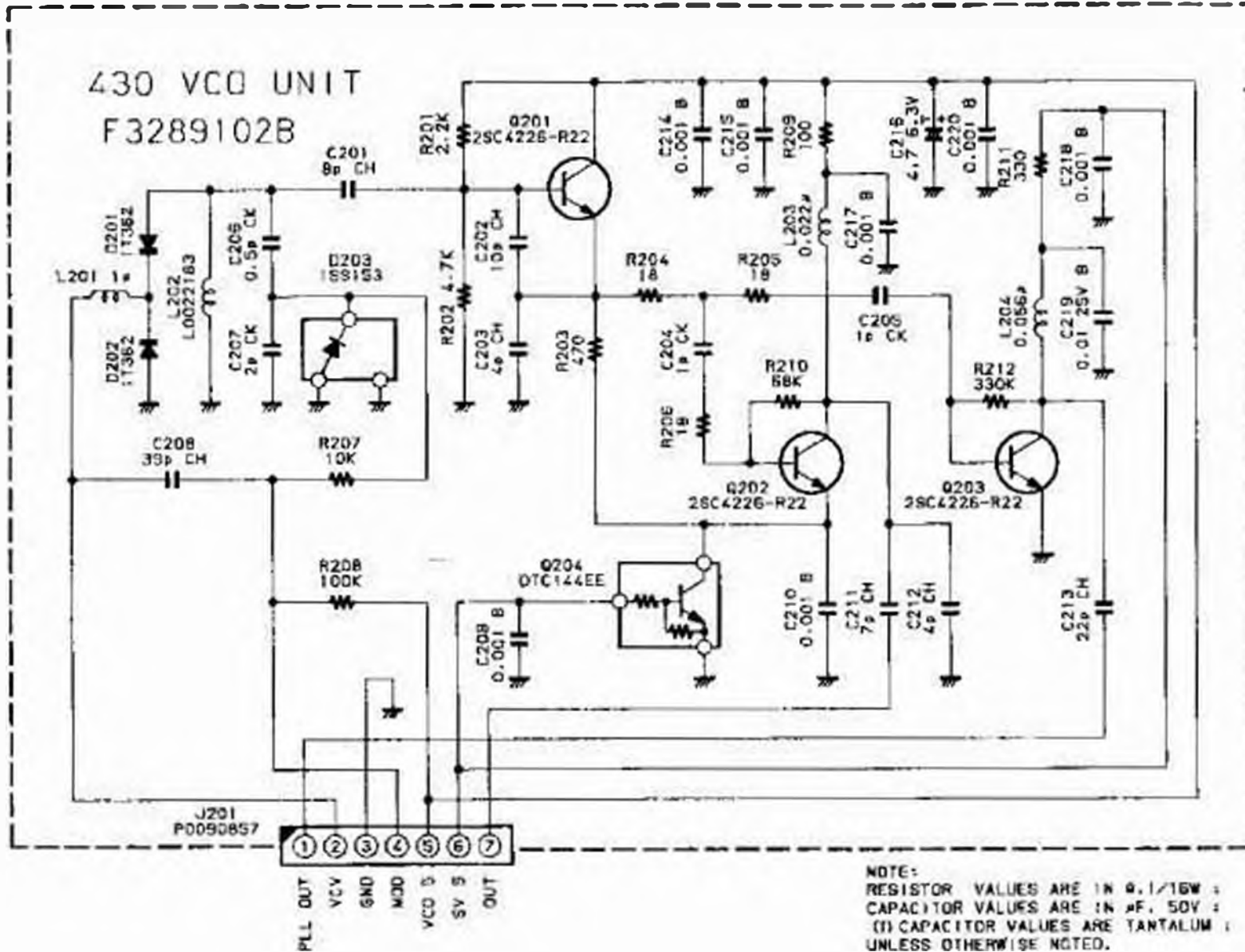
12.5MHz
CLOCK
DATA
TX
SAVE
L1
L2
DET
TEMP
NRS
MDD
SIG



NOTE:
RESISTOR VALUES ARE IN Ω, K, M;
CAPACITOR VALUES ARE IN pF, μF, 50V;
Ω: CAPACITOR VALUES ARE TANTALUM;
INDUCTOR VALUES ARE IN μH
UNLESS OTHERWISE NOTED.

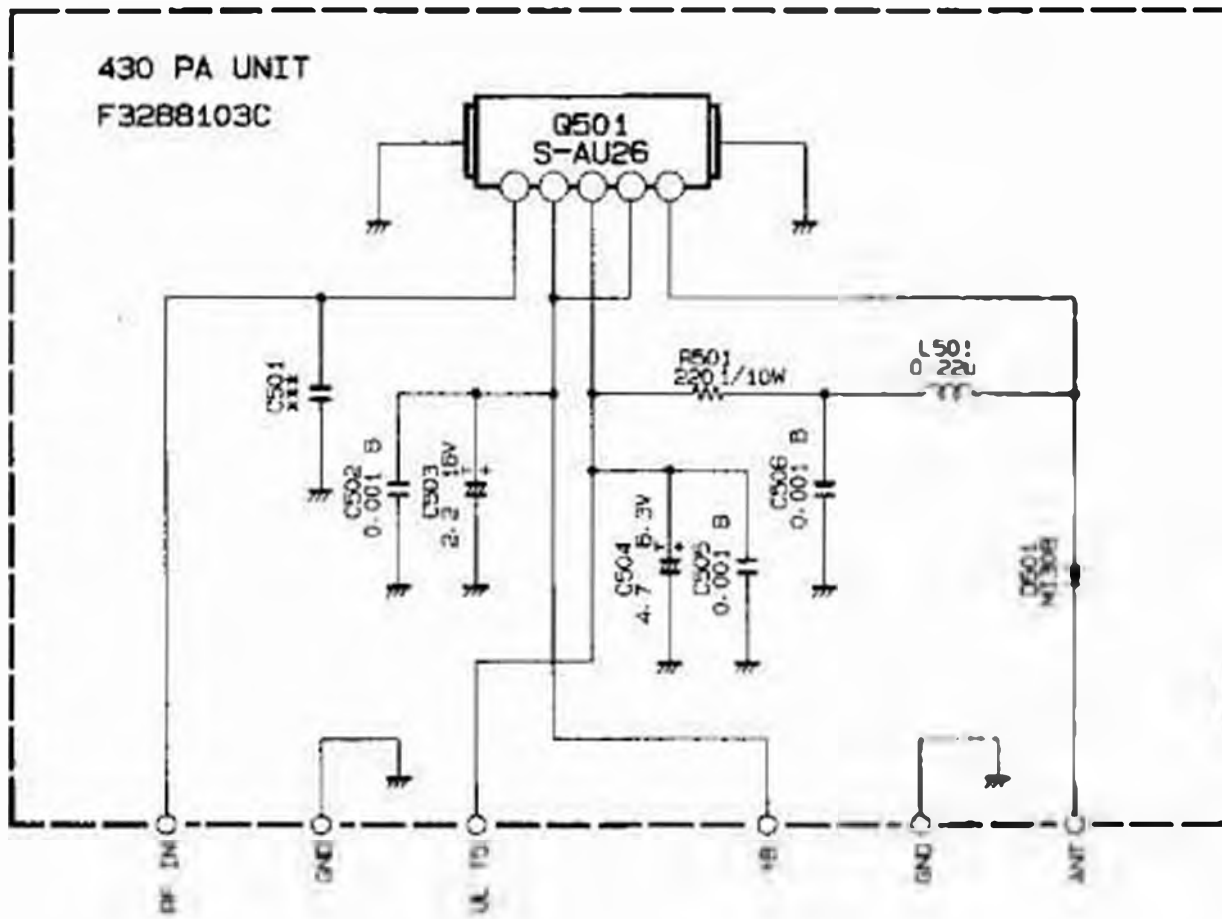
1YP	IF	C2076	R2034	R2036	X2001	X2002
JPM EU	14.775MHz	9p	1K	680	44M28P	45.23MHz
USA	17.225MHz	15p	680	470	4761584F	47.68MHz

430 VCO UNIT
F3289102B

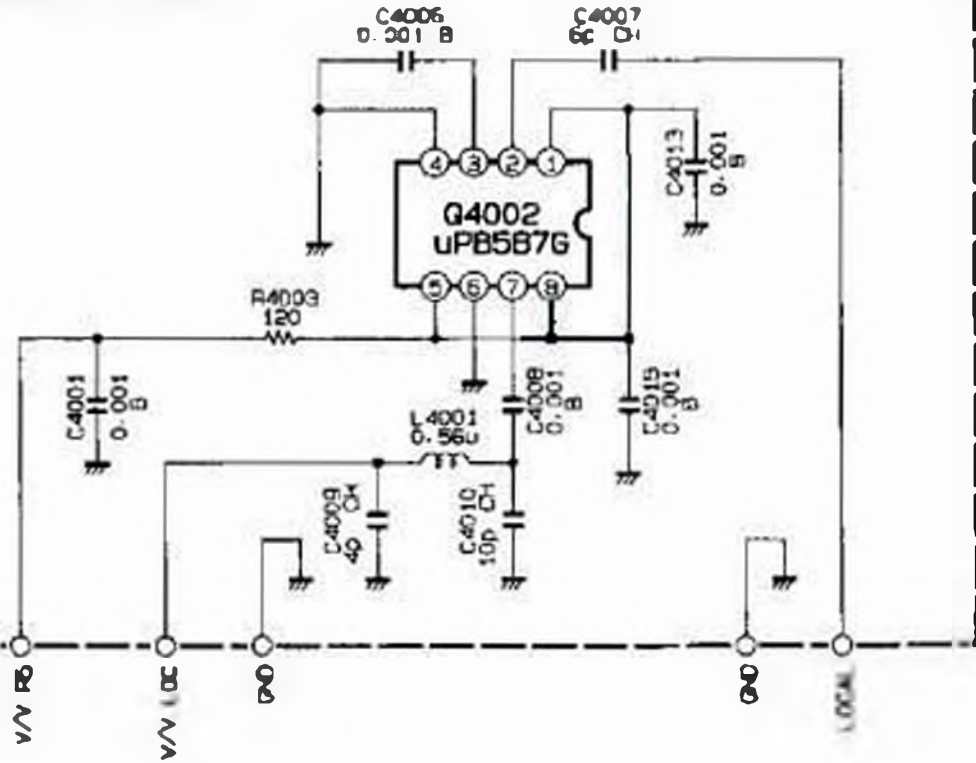


NOTE:
RESISTOR VALUES ARE IN Ω, 1/16W ;
CAPACITOR VALUES ARE IN μF, 50V ;
(†) CAPACITOR VALUES ARE TANTALUM ;
UNLESS OTHERWISE NOTED.

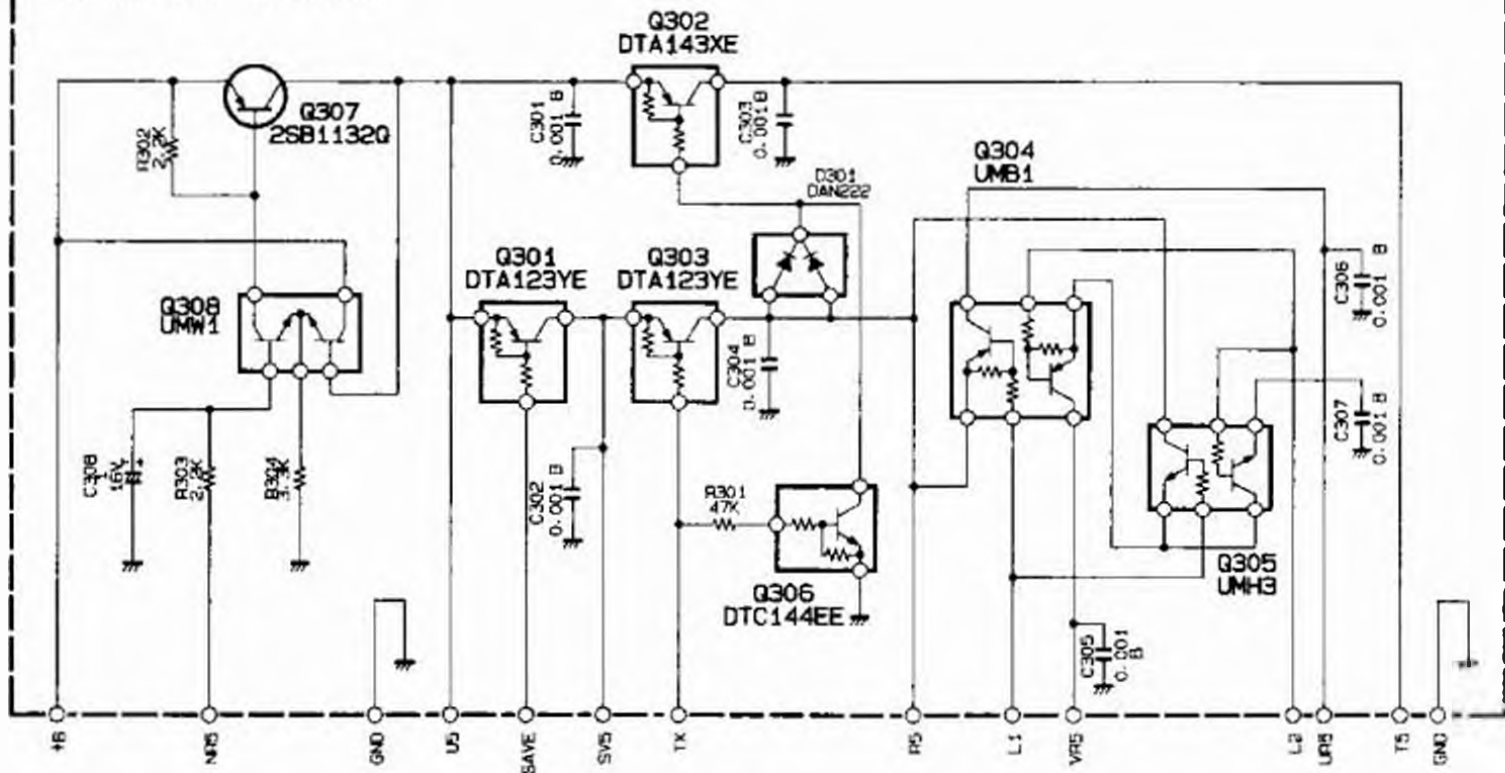
430 PA UNIT
F32B8103C



V/V LOCAL UNIT

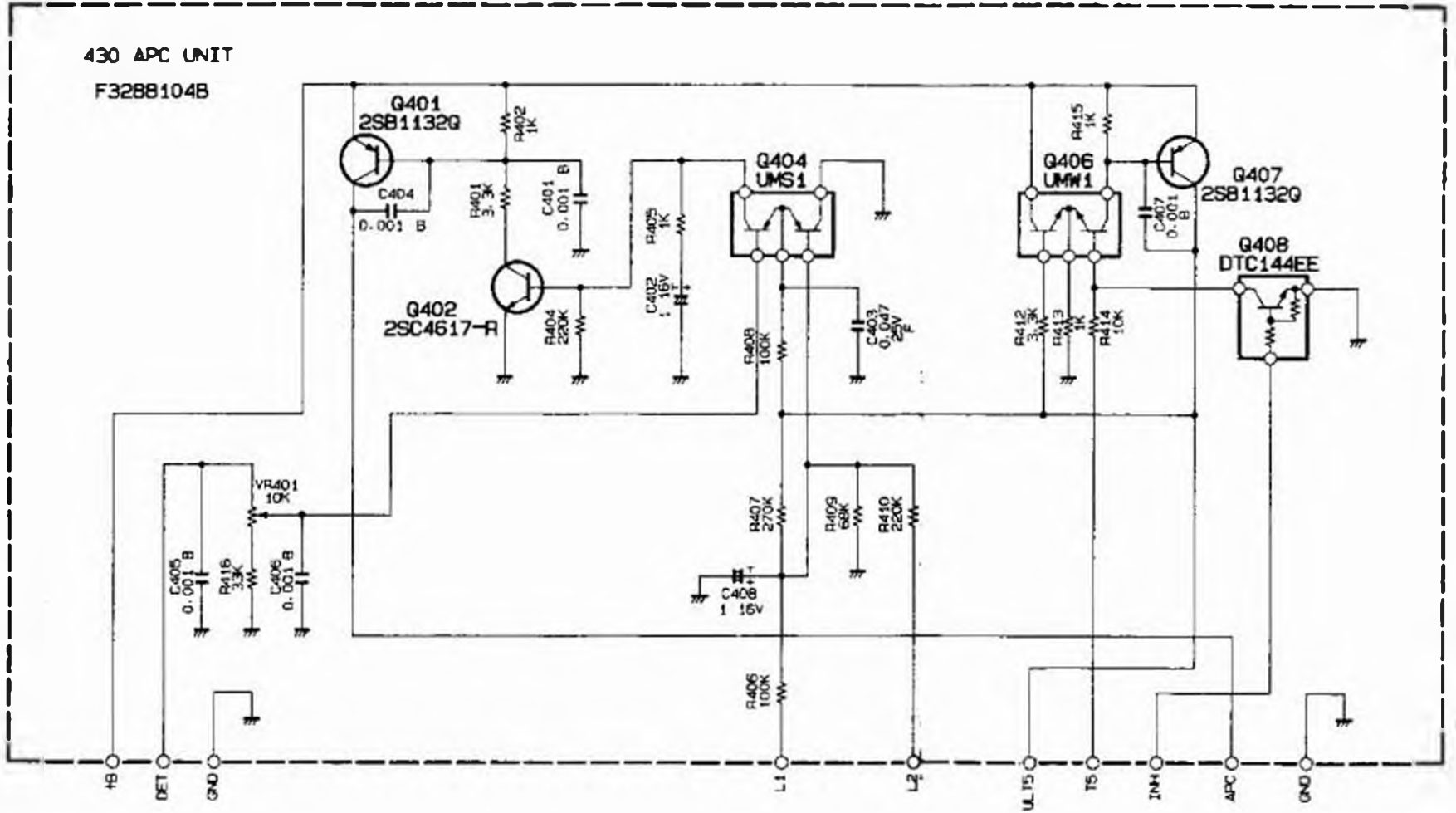


430 SW UNIT F3288102



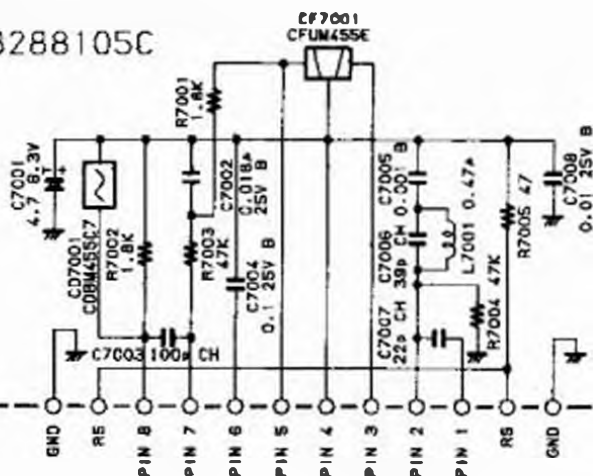
430 APC UNIT

F328B104B



430 IF UNIT

F3288105C



NOTE:
 RESISTOR VALUES ARE IN Ω, 1/16W ;
 CAPACITOR VALUES ARE IN pF, 50V ;
 CT CAPACITOR VALUES ARE TANTALUM ;
 UNLESS OTHERWISE NOTED.