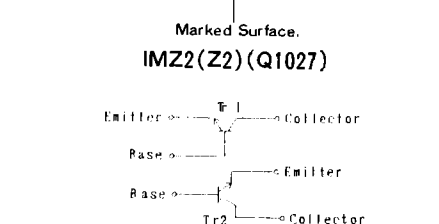
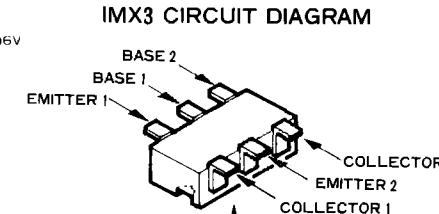
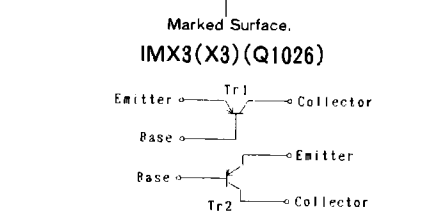
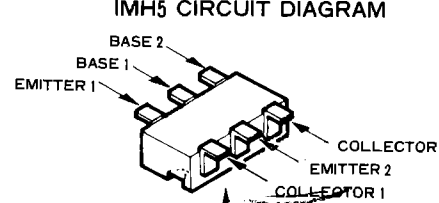
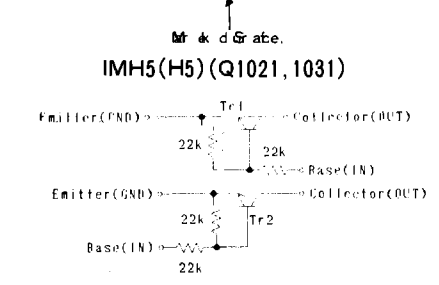
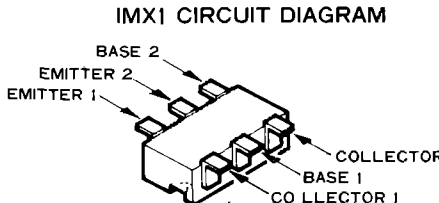
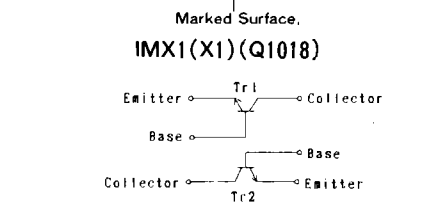
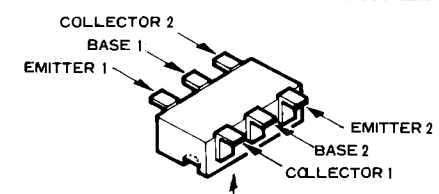
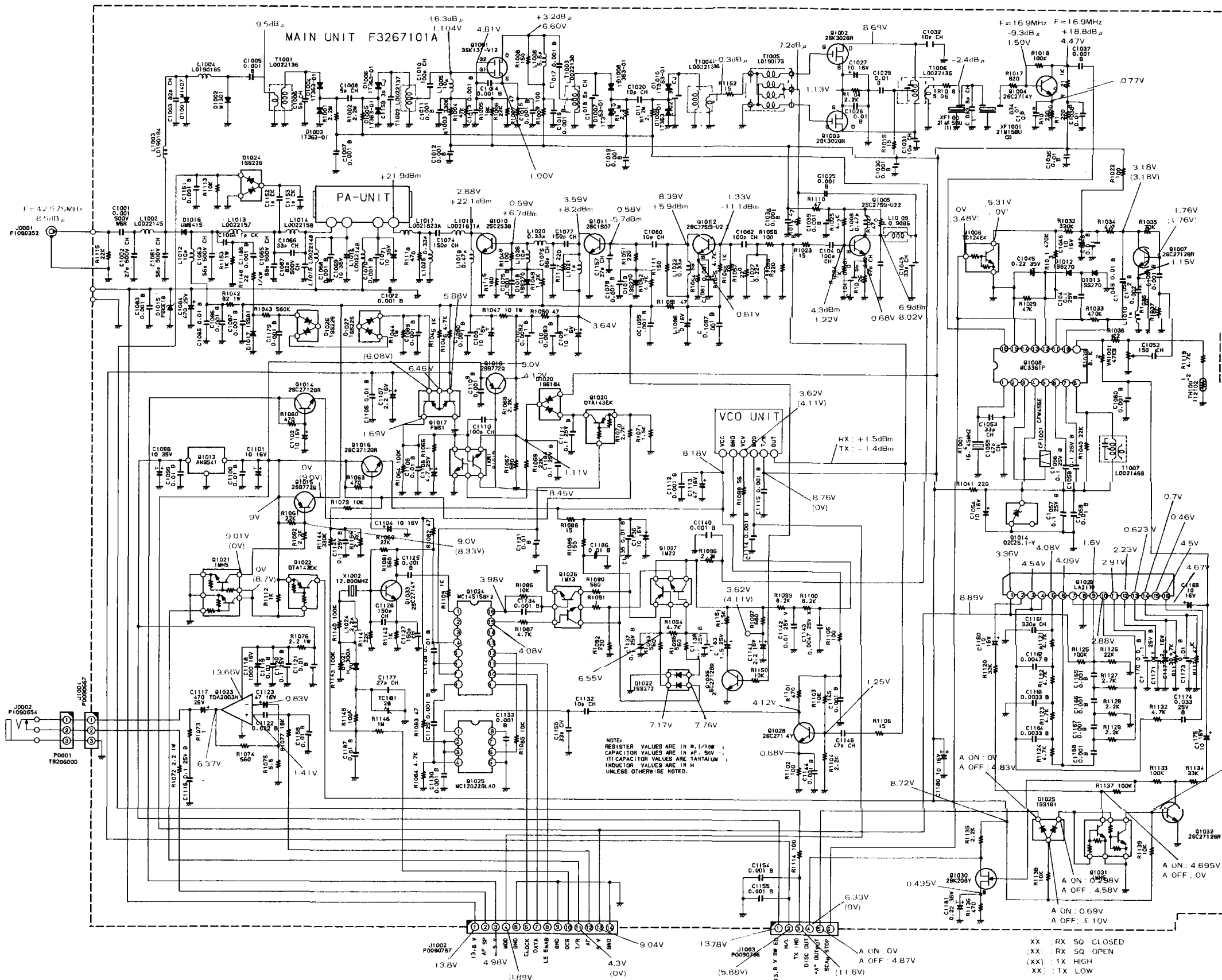


Circuit Diagram



NOTE:
RESISTOR VALUES ARE IN Ω, 1/10W
CAPACITOR VALUES ARE IN μF, 50V
INDUCTOR VALUES ARE IN mH
UNLESS OTHERWISE NOTED.

XX: RX SG CLOSED
XX: RX SG OPEN
(XX): TX HIGH
XX: TX LOW

A ON: 0.696V
A OFF: 0V

A ON: 4.83V
A OFF: 4.58V

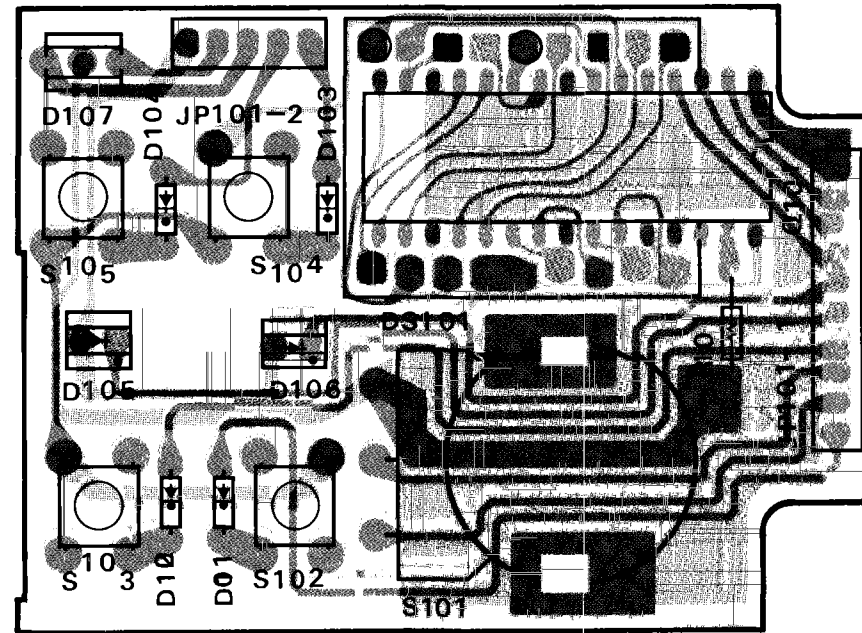
A ON: 4.695V
A OFF: 5.10V

A ON: 0V
A OFF: 4.87V

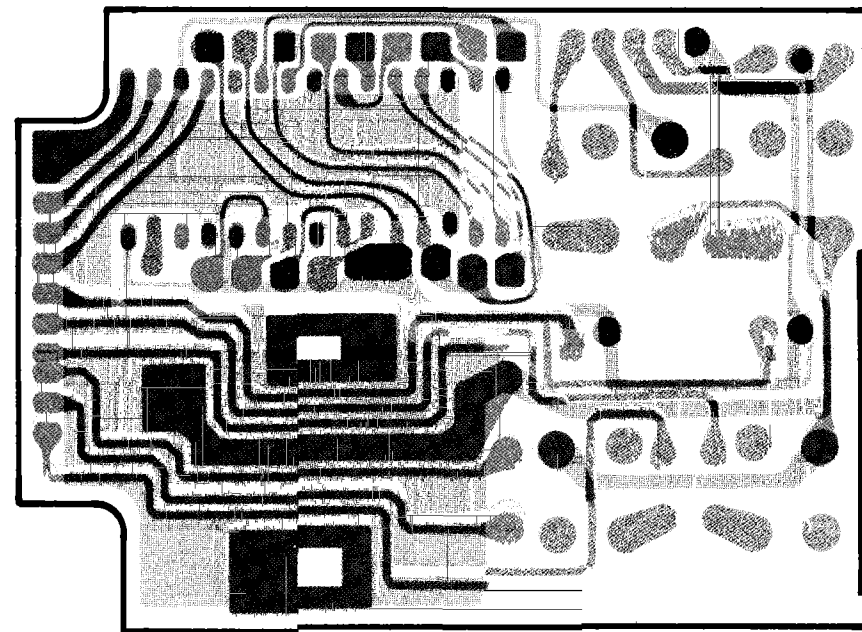
A ON: 0.69V
A OFF: 5.10V

Parts Layout & Circuit Diagram

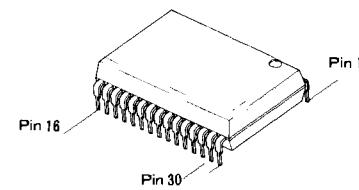
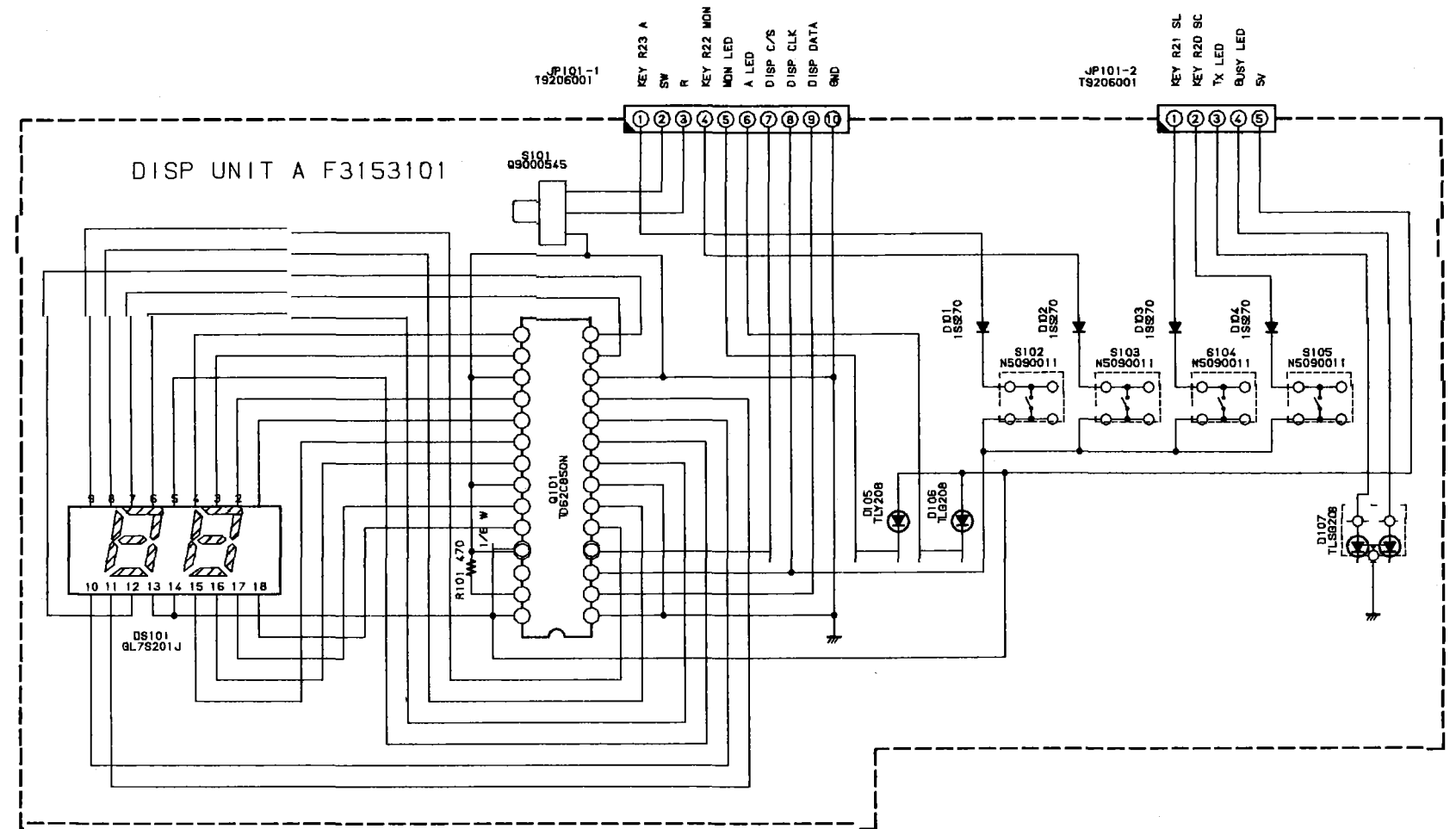
DISP Unit A (Nos. 1xx)



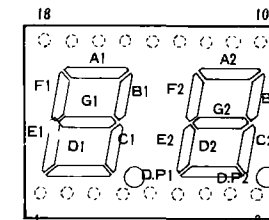
Obverse View of Component Side



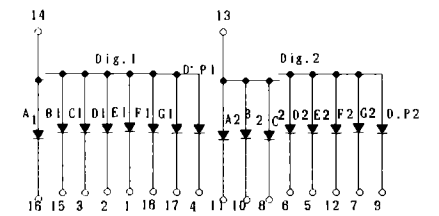
Obverse View of Solder Side



TD62C850N(Q101)

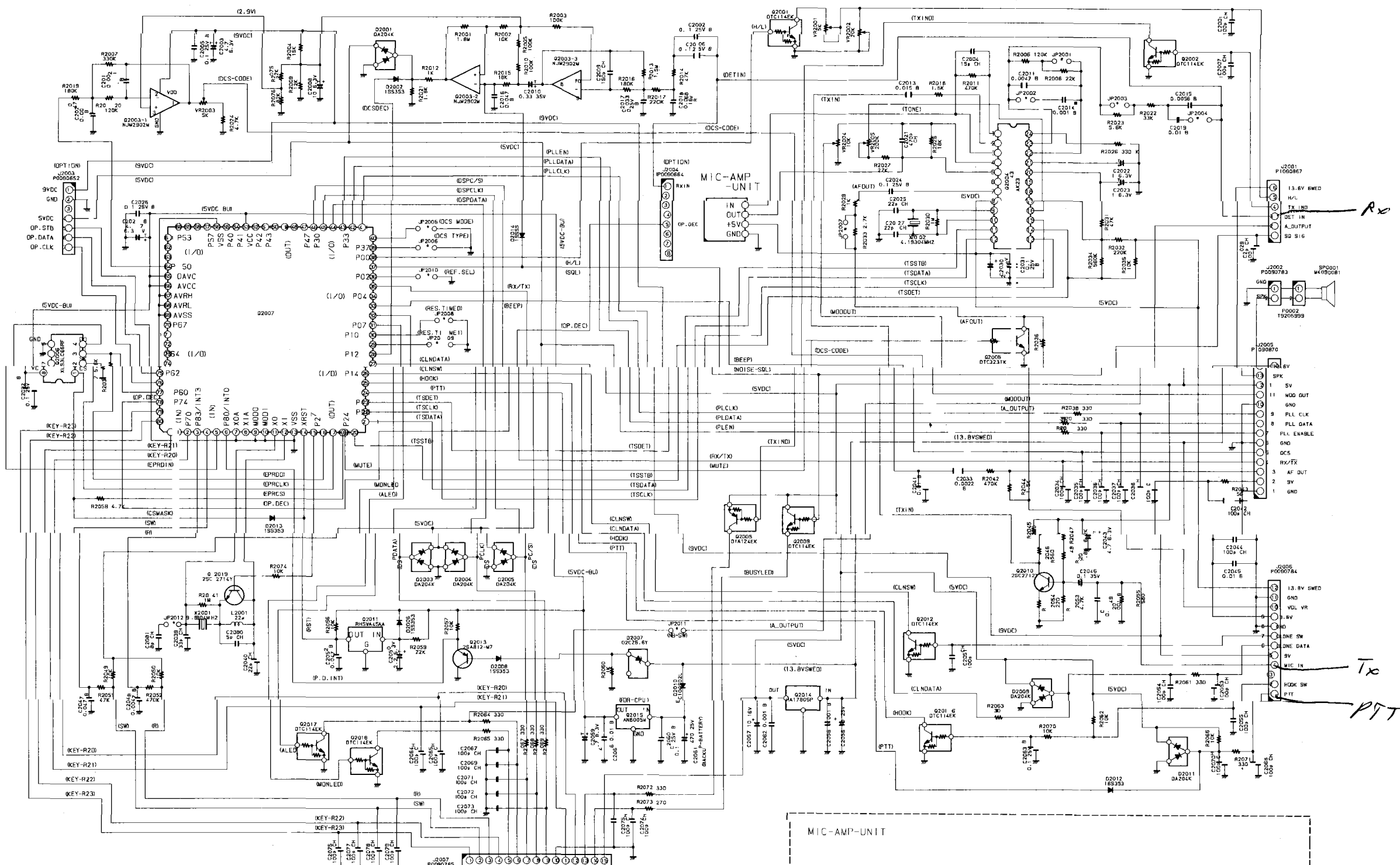


GL7S201J(DS101)

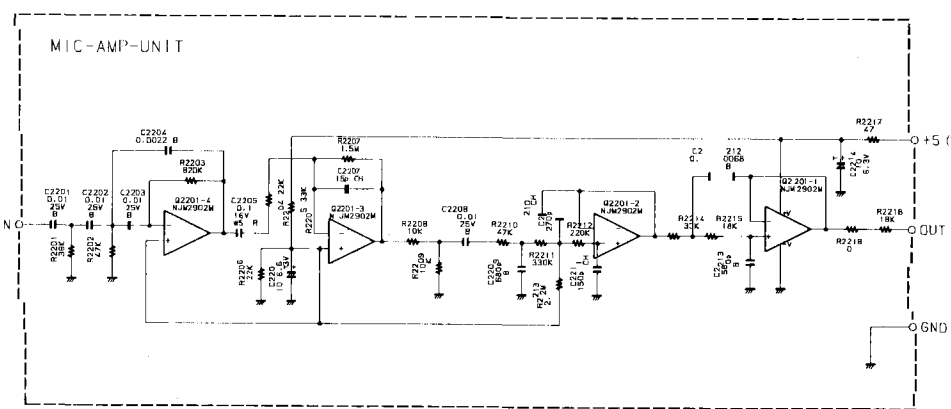


GL7S201J CIRCUIT DIAGRAM

Circuit Diagram Lot. ~ 33



NOTE:
 RESISTOR VALUES ARE IN Ω, 1/10W;
 CAPACITOR VALUES ARE IN μF, 50V;
 (T) CAPACITOR VALUES ARE TANTALUM;
 INDUCTOR VALUES ARE IN H
 UNLESS OTHERWISE NOTED.



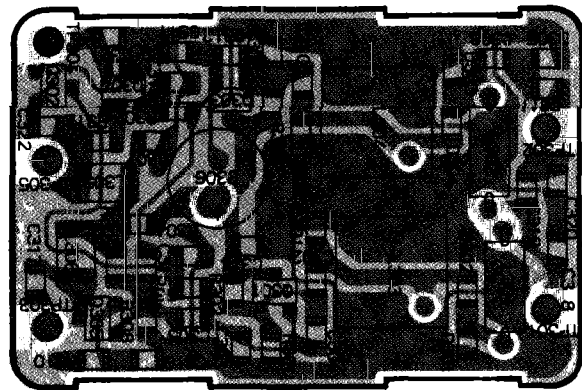
Rx

Tx

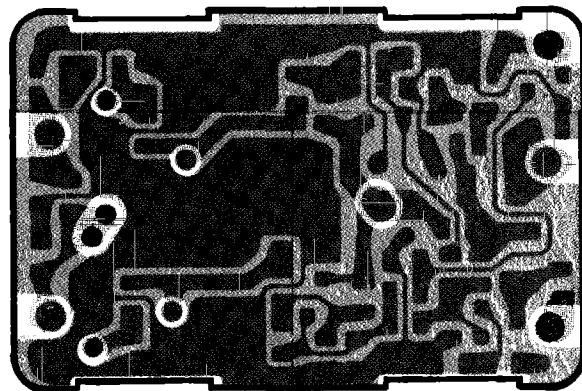
PST

Parts Layout & Circuit Diagram

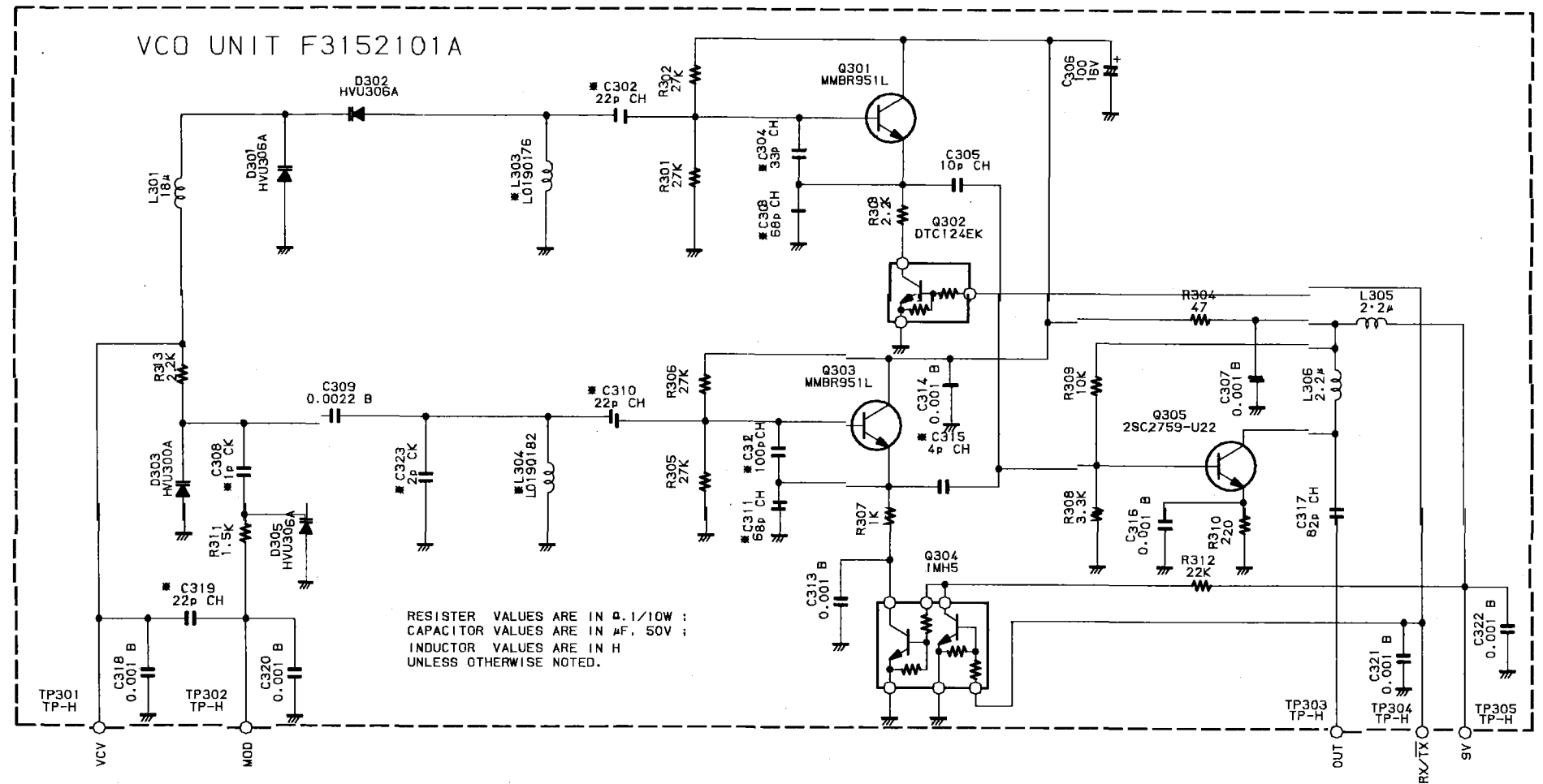
VCO Unit (Nos. 3xx)



Obverse View of "Mixed Component" Side



Obverse View of Solder Side



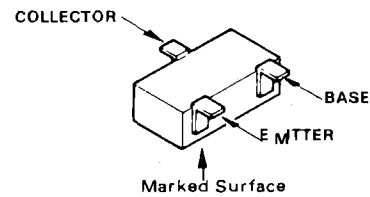
| BAND | A | B |
|------|----------|----------|
| L303 | L0190182 | L0190176 |
| L304 | L0022331 | L0190182 |
| C302 | 33P | 22P |
| C303 | 47P | 68P |
| C304 | 82P | 33P |
| C308 | 2P | 1P |
| C310 | 39P | 22P |
| C315 | 3P | 4P |
| C323 | — | 2P |

■ C319-TYPE

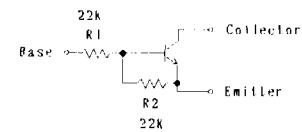
| FREQ | A | B |
|-------|-----|-----|
| 25K | 27P | 22P |
| 12.5K | — | 33P |

TYPE-A

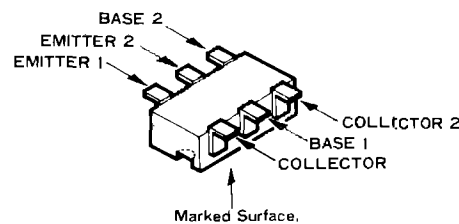
| VCVADJ | | FREQ TABLE | |
|-------------|-------------|------------|----------|
| 30~37MHz | 37~40MHz | A | B |
| 6V at 37MHz | 4V at 40MHz | 30~40MHz | 37~48MHz |



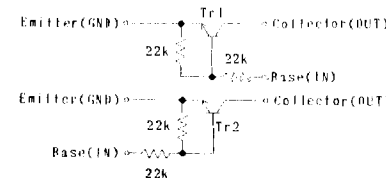
MMBR951(7Z) (Q305)
DTC124EK(25) (Q302)



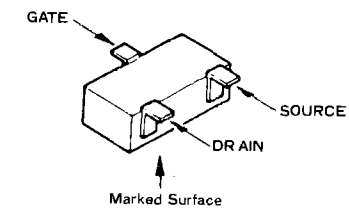
DTC124EK CIRCUIT DIAGRAM



IMH5 (H5) (Q304)



IMH5 CIRCUIT DIAGRAM



2SK508(K52) (Q301, Q303)